



US00D634345S

(12) **United States Design Patent**
Kim

(10) **Patent No.:** **US D634,345 S**

(45) **Date of Patent:** **** Mar. 15, 2011**

(54) **CAMERA FOR CLOSED CIRCUIT TELEVISION**

(75) Inventor: **Changhoon Kim**, Seoul (KR)

(73) Assignee: **CNB Technology Inc.** (KR)

(**) Term: **14 Years**

(21) Appl. No.: **29/363,232**

(22) Filed: **Jun. 7, 2010**

(51) **LOC (9) Cl.** **16-01**

(52) **U.S. Cl.** **D16/203**

(58) **Field of Classification Search** D16/200–205,
D16/208, 218; 348/143, 151, 373–376; 358/906;
396/427, 535–541

See application file for complete search history.

(56) **References Cited**

U.S. PATENT DOCUMENTS

D307,915	S	*	5/1990	Kuester, III	D16/203
5,940,122	A	*	8/1999	Kizawa et al.	348/151
D438,227	S	*	2/2001	Grotto	D16/203
D481,407	S	*	10/2003	Alessio	D16/203
D497,928	S	*	11/2004	Cheng-Yuan	D16/203

6,824,318	B2	*	11/2004	Toste et al.	396/427
D514,150	S	*	1/2006	Muto et al.	D16/203
D528,144	S	*	9/2006	Takemasa	D16/203
D552,145	S	*	10/2007	Grotto	D16/203
D578,561	S	*	10/2008	Dumanogullari	D16/203
2001/0015764	A1	*	8/2001	Marchesini	348/373

* cited by examiner

Primary Examiner — Adir Aronovich

(74) *Attorney, Agent, or Firm* — Cantor Colburn LLP

(57) **CLAIM**

The ornamental design for a camera for closed circuit television, as shown and described.

DESCRIPTION

FIG. 1 is a front and right side perspective view of a camera for closed circuit television showing my new design; FIG. 2 is a front elevational view thereof; FIG. 3 is a rear elevational view thereof; FIG. 4 is a left side elevational view thereof; FIG. 5 is a right side elevational view thereof; FIG. 6 is a top plan view thereof; and, FIG. 7 is a bottom plan view thereof.

1 Claim, 7 Drawing Sheets

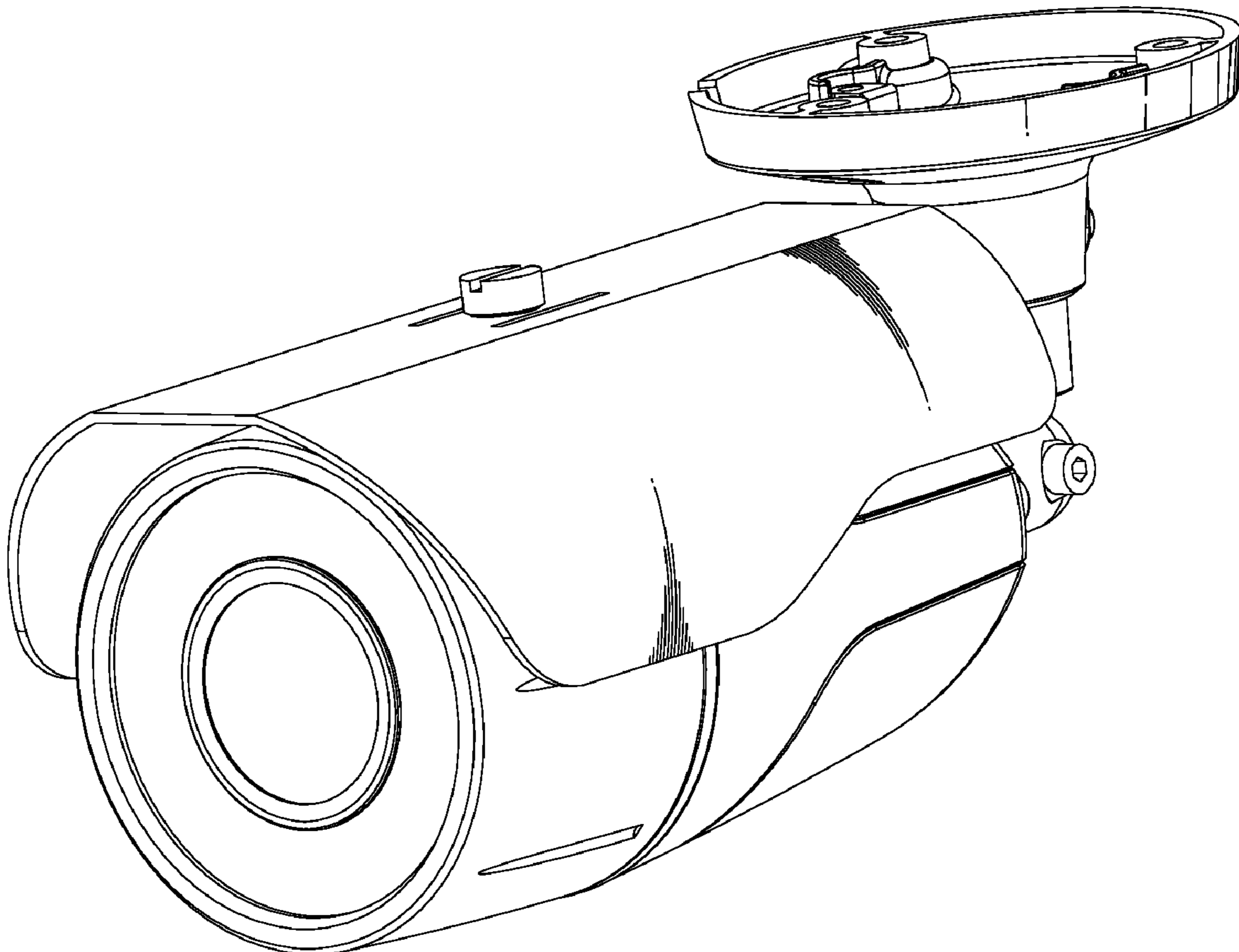


FIG. 1

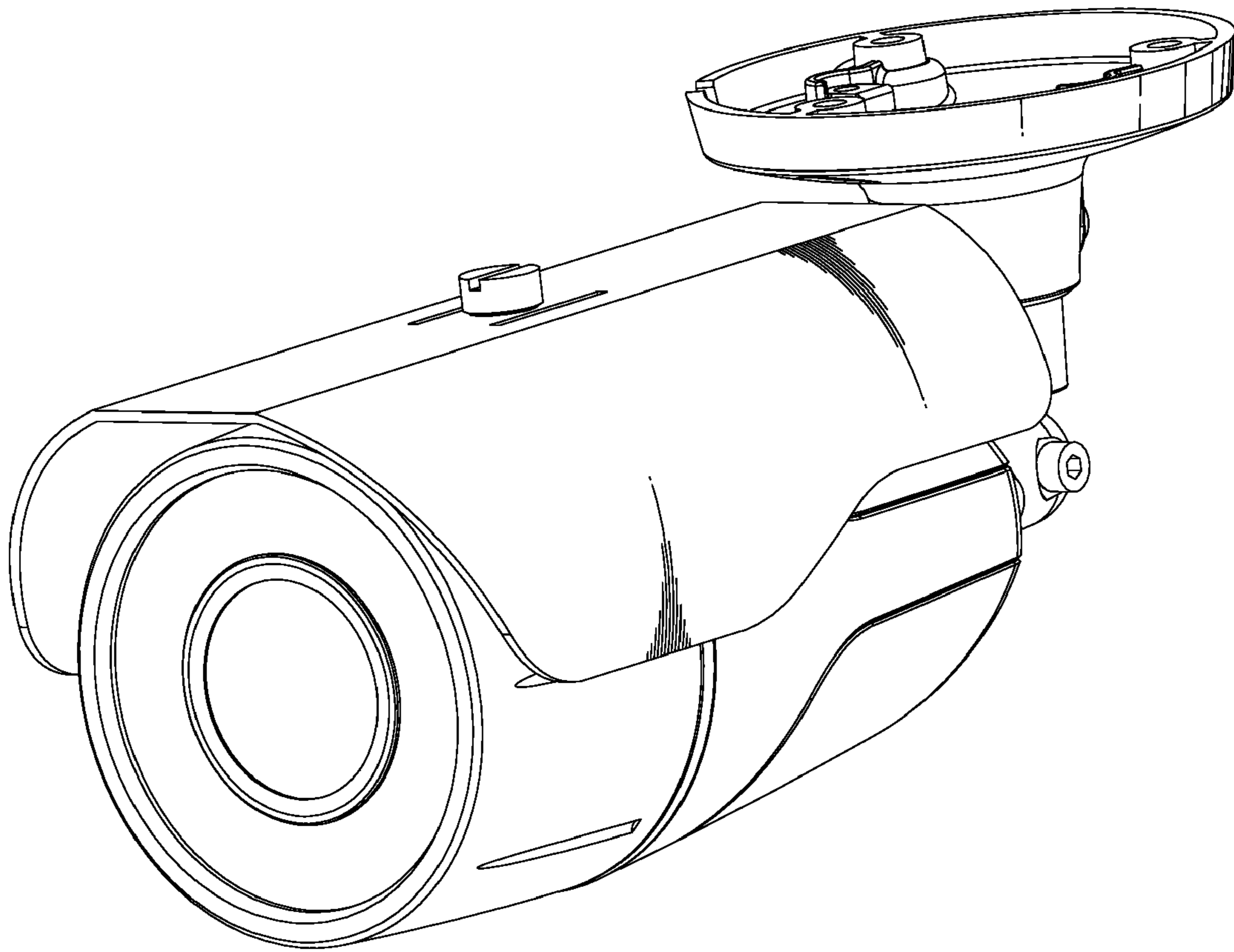


FIG. 2

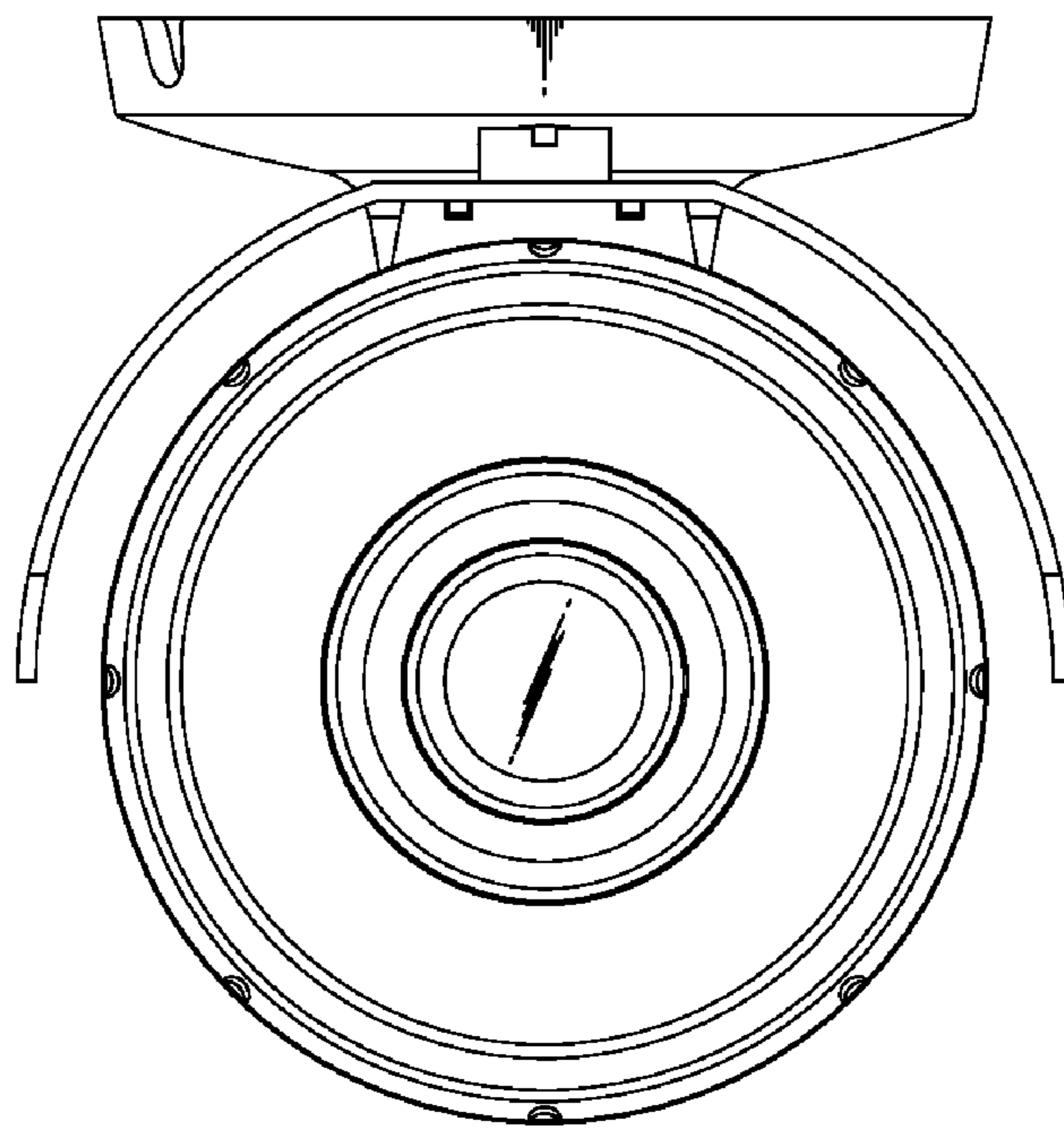


FIG. 3

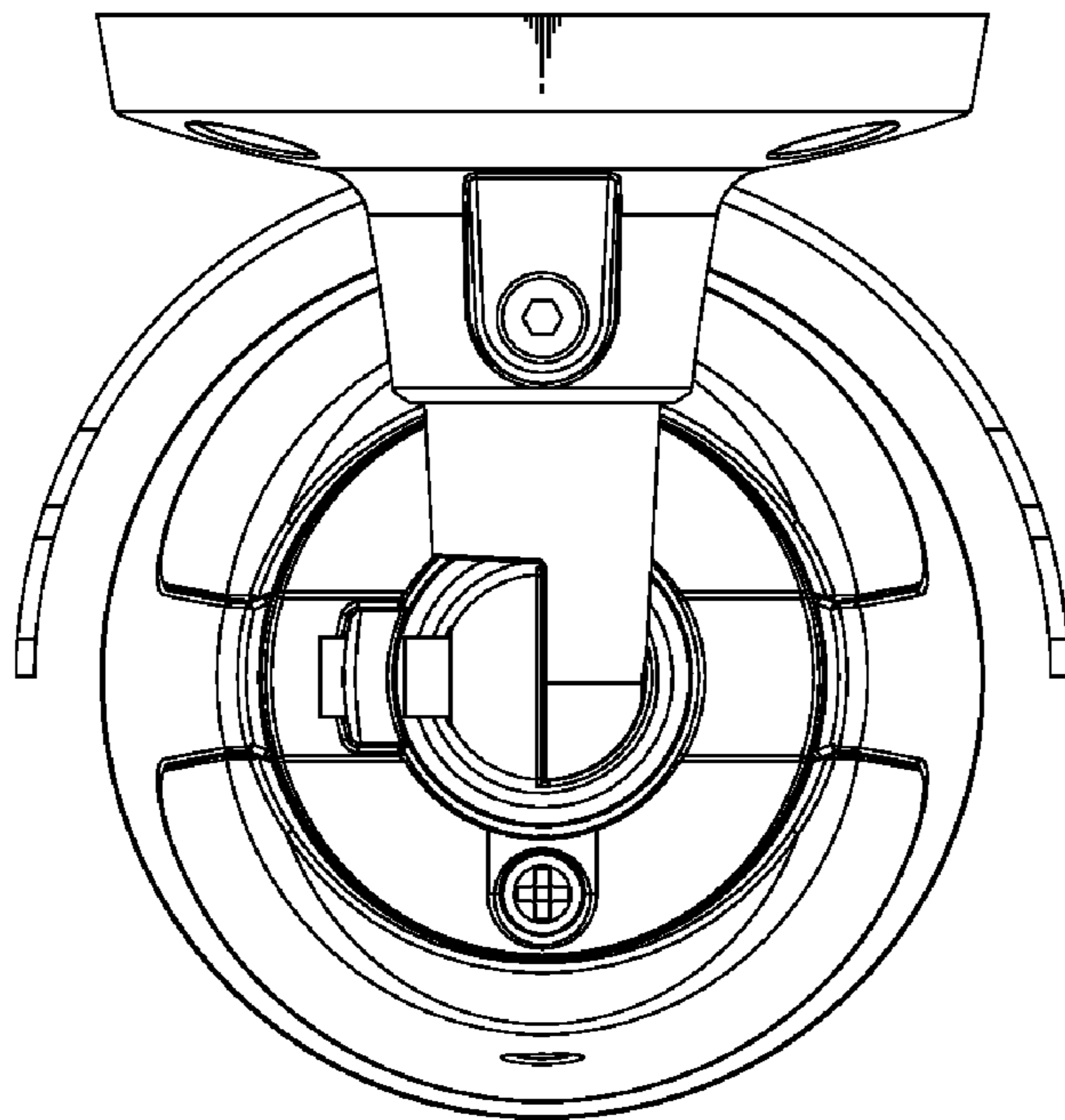


FIG. 4

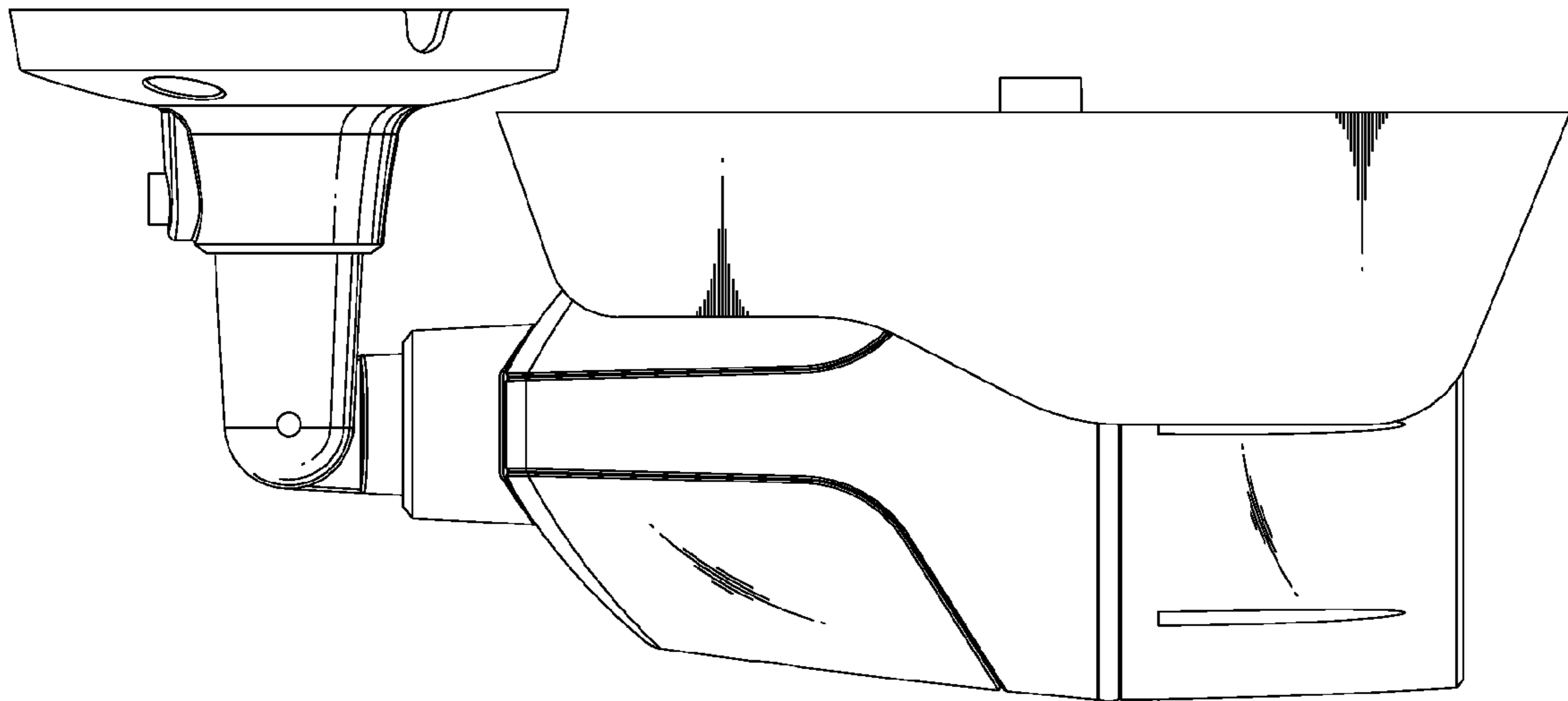


FIG. 5

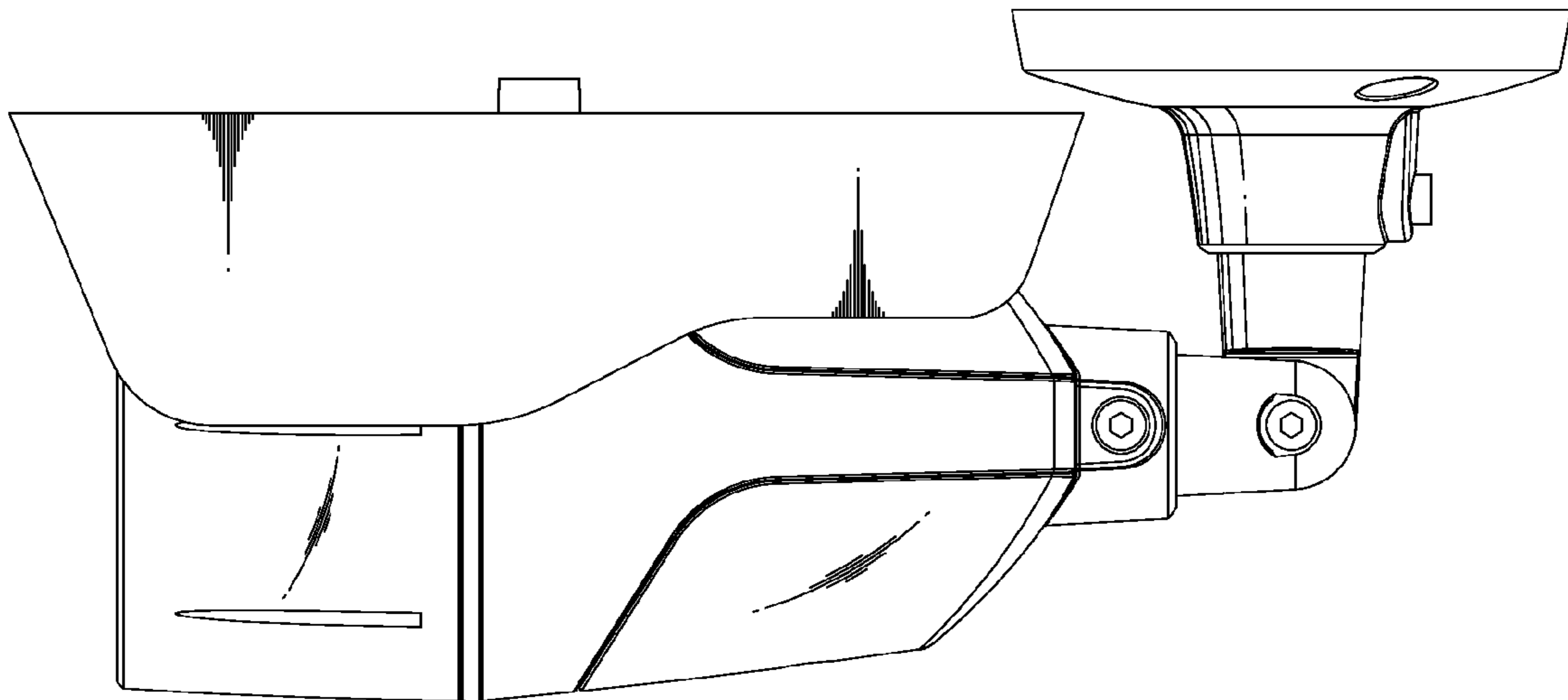


FIG. 6

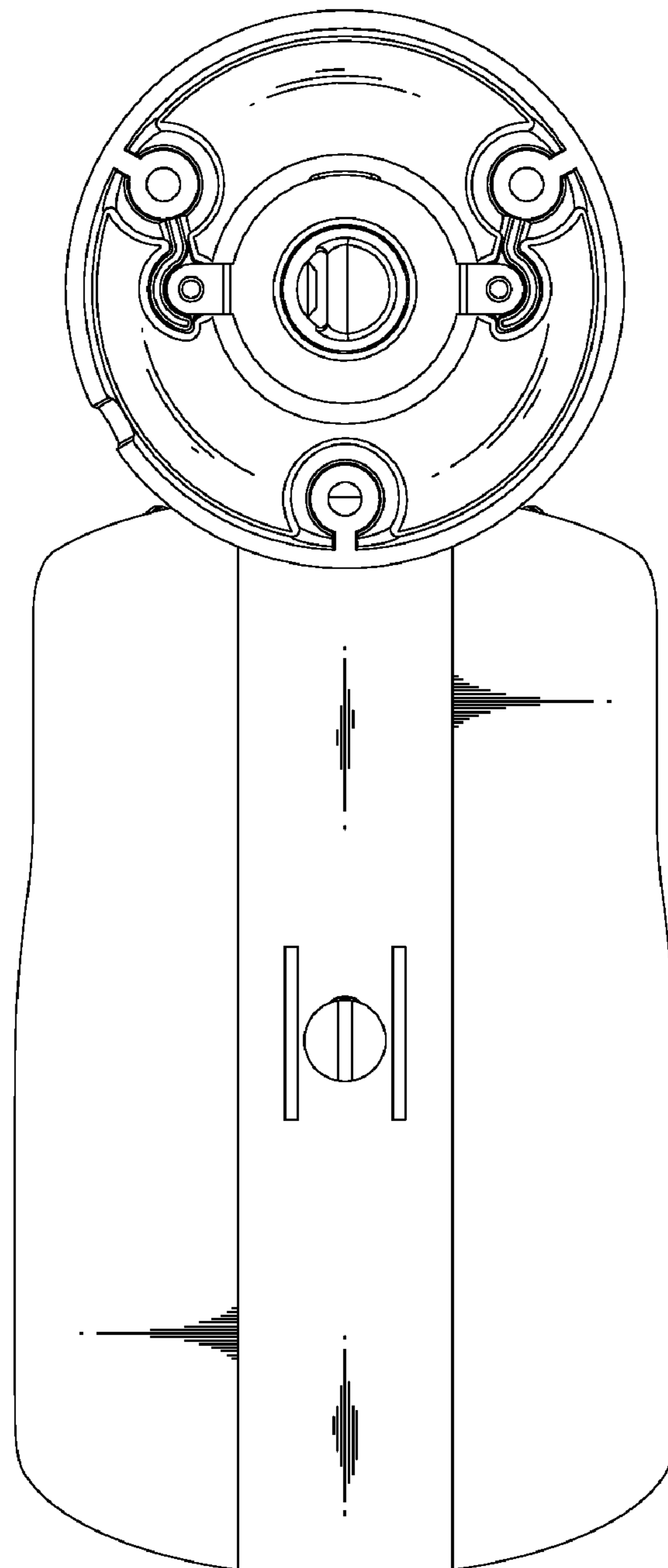


FIG. 7

