



US00D634344S

(12) **United States Design Patent**
Nusser et al.

(10) **Patent No.:** **US D634,344 S**
(45) **Date of Patent:** **** Mar. 15, 2011**

(54) **COMBINATION OF A STAND AND AN ASSEMBLY CONNECTED THERETO OF AN XY-COUPLING SUPPORTING A CARRIER ARM HOLDING A HOUSING CONTAINING ONE OR TWO MICROSCOPE BODIES EQUIPPED WITH OCULARS**

(75) Inventors: **Daniel Nusser**, Aalen (DE); **Christian Siegel**, Aalen (DE); **Graham Keevy**, München (DE)

(73) Assignee: **Carl Zeiss Surgical GmbH**, Oberkochen (DE)

(**) Term: **14 Years**

(21) Appl. No.: **29/347,354**

(22) Filed: **Dec. 14, 2009**

(30) **Foreign Application Priority Data**

Jun. 26, 2009 (EM) 001148480

(51) **LOC (9) Cl.** **16-06**

(52) **U.S. Cl.** **D16/131**

(58) **Field of Classification Search** D16/130, D16/131; 359/375, 377, 379, 381, 383, 384, 359/385, 382, 802, 804, 809, 810, 811, 816, 359/376, 368; 248/122.1, 123.11, 274.1, 248/280.11, 331

See application file for complete search history.

(56) **References Cited**

U.S. PATENT DOCUMENTS

2,967,458 A * 1/1961 Stone, Jr. 359/375
3,566,872 A * 3/1971 Draeger et al. 128/897

(Continued)

OTHER PUBLICATIONS

Japanese Office Action (Translation into English).

Primary Examiner — Paula Greene

(74) *Attorney, Agent, or Firm* — Walter Ottesen

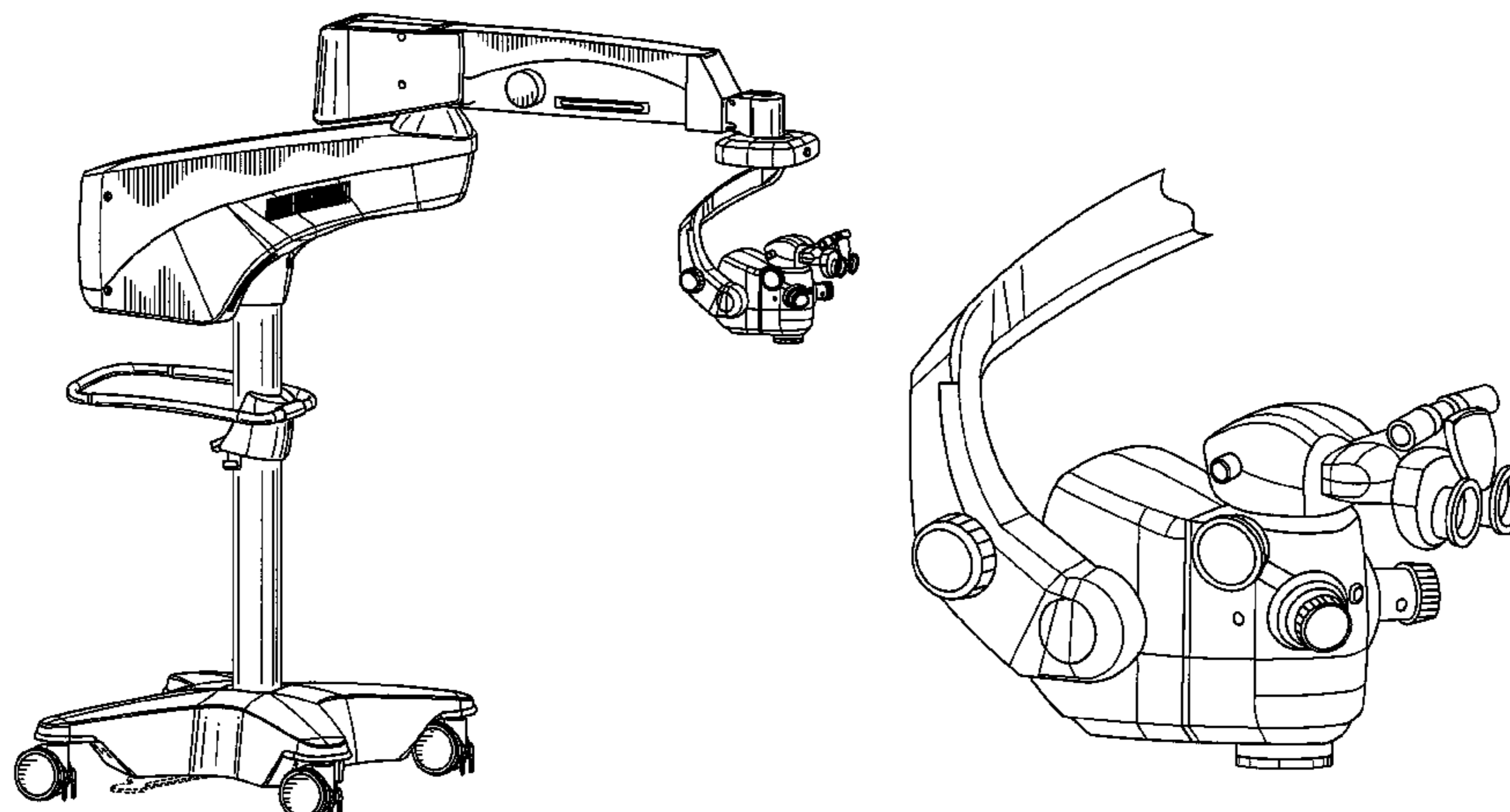
(57) **CLAIM**

The ornamental design for a combination of a stand and an assembly connected thereto of an xy-coupling supporting a carrier arm holding a housing containing one or two microscope bodies equipped with oculars, as shown and described.

DESCRIPTION

FIG. 1 is a right side elevation view of our new design of a combination of a stand and an assembly connected thereto of an xy-coupling supporting a carrier arm holding a housing containing one microscope body equipped with an ocular; FIG. 2 is a front side elevation view of said combination shown in FIG. 1; FIG. 3 is a left side elevation view of said combination shown in FIG. 1; FIG. 4 is a rear side elevation view of said combination shown in FIG. 1; FIG. 5 is a top plan view of said combination shown in FIG. 1; FIG. 6 is a bottom plan view of said combination shown in FIG. 1; FIG. 7 is a perspective view of said combination shown in FIG. 1; FIG. 8 is an enlarged view of the housing held by the carrier arm of said combination shown in FIGS. 1 to 7; FIG. 9 is a right side elevation view of another embodiment of our new design of the combination of a stand and an assembly connected thereto of an xy-coupling supporting a carrier arm holding a housing containing two microscope bodies equipped with two oculars; FIG. 10 is a front side elevation view of said combination shown in FIG. 9; FIG. 11 is a left side elevation view of said combination shown in FIG. 9; FIG. 12 is a rear side elevation view of said combination shown in FIG. 9; FIG. 13 is a top plan view of said combination shown in FIG. 9; FIG. 14 is a bottom plan view of said combination shown in FIG. 9; FIG. 15 is a perspective view of said combination shown in FIG. 9; and, FIG. 16 is an enlarged view of the housing held by the carrier arm of said combination shown in FIGS. 9 to 15. The broken lines form no part of the claimed design.

1 Claim, 16 Drawing Sheets



US D634,344 S

Page 2

U.S. PATENT DOCUMENTS

3,809,454	A *	5/1974	Brambring	359/382	6,050,530	A *	4/2000	Nakamura	248/123.2
3,868,171	A *	2/1975	Hoppl	359/384	6,254,046	B1 *	7/2001	Biber	248/287.1
3,887,267	A *	6/1975	Heller	359/384	6,471,165	B2 *	10/2002	Twisselmann	248/123.11
4,548,373	A *	10/1985	Komura	248/122.1	6,592,086	B1 *	7/2003	Sander	248/123.11
5,074,651	A *	12/1991	Nagamine	359/384	6,833,950	B2 *	12/2004	Schmidt	359/384
5,213,293	A *	5/1993	Muentener et al.	248/123.11	6,899,307	B2 *	5/2005	Strauss et al.	248/280.11
5,713,545	A *	2/1998	Nakamura	248/123.2	7,110,173	B2 *	9/2006	Haisch	359/384
5,748,366	A *	5/1998	Yasunaga et al.	359/368	7,159,831	B2 *	1/2007	Gartner et al.	248/274.1
5,835,266	A *	11/1998	Kitajima	359/384	7,219,864	B2 *	5/2007	Strauss et al.	248/122.1
5,995,282	A *	11/1999	Akiyama et al.	359/384	D623,210	S	9/2010	Matuschek et al.	

* cited by examiner

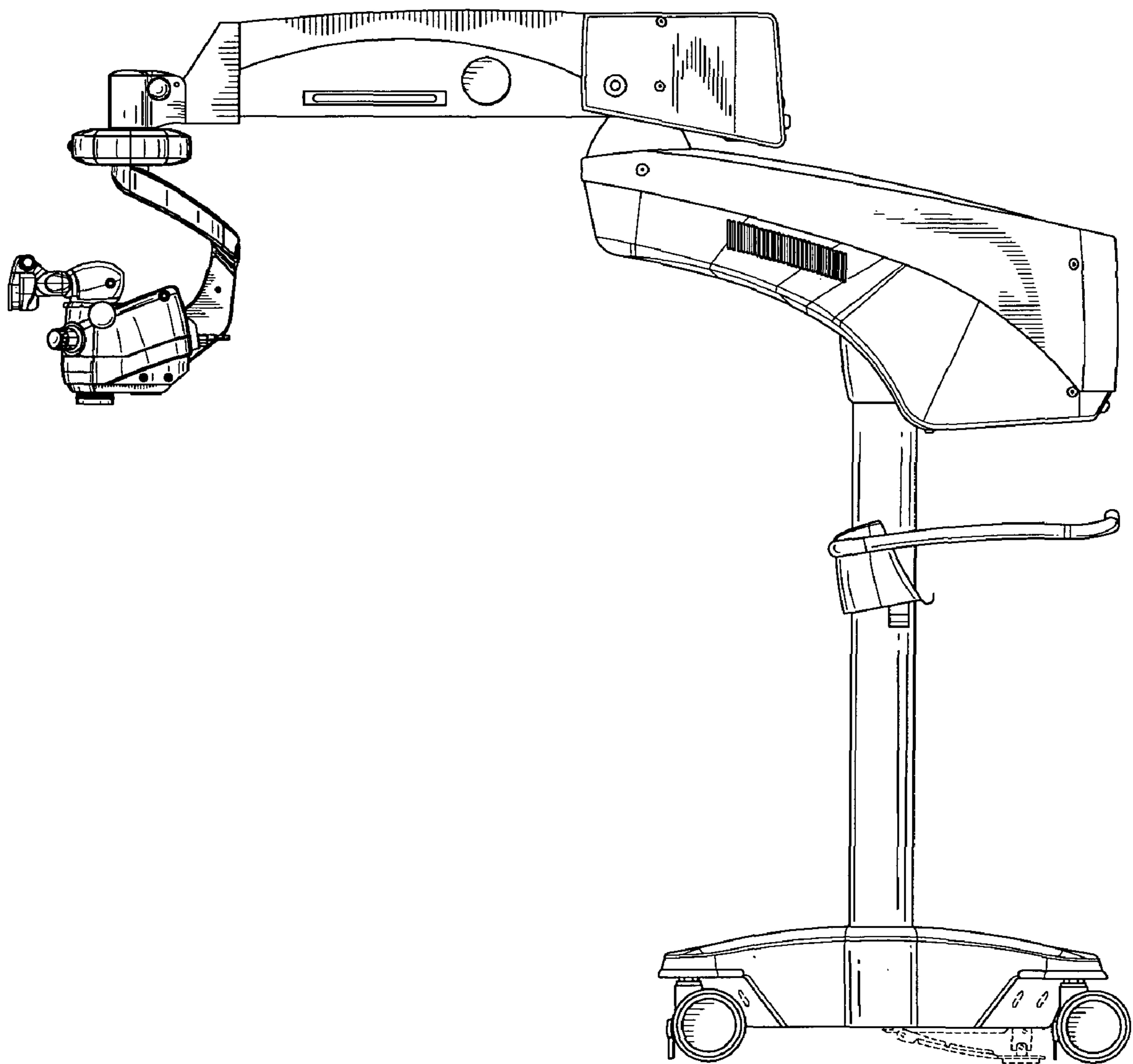


FIG. 1

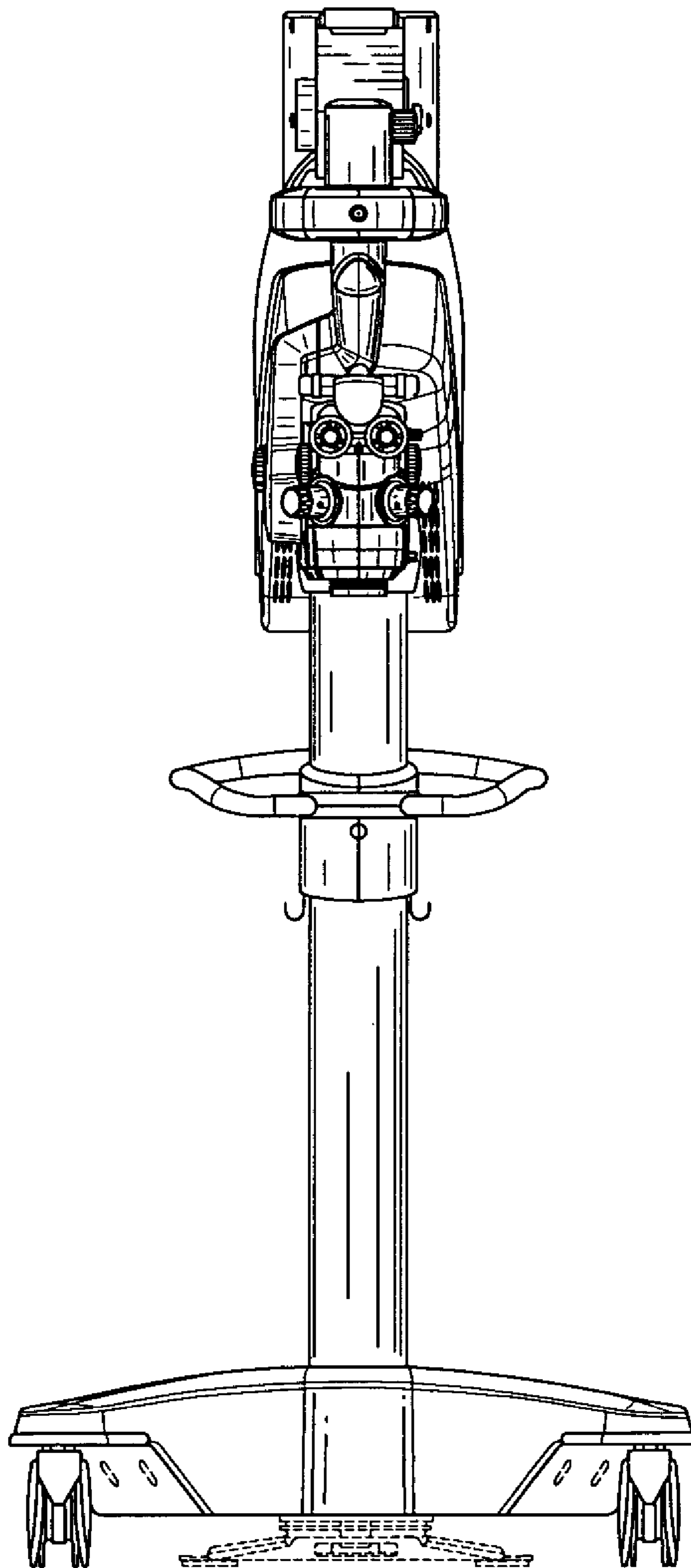


FIG. 2

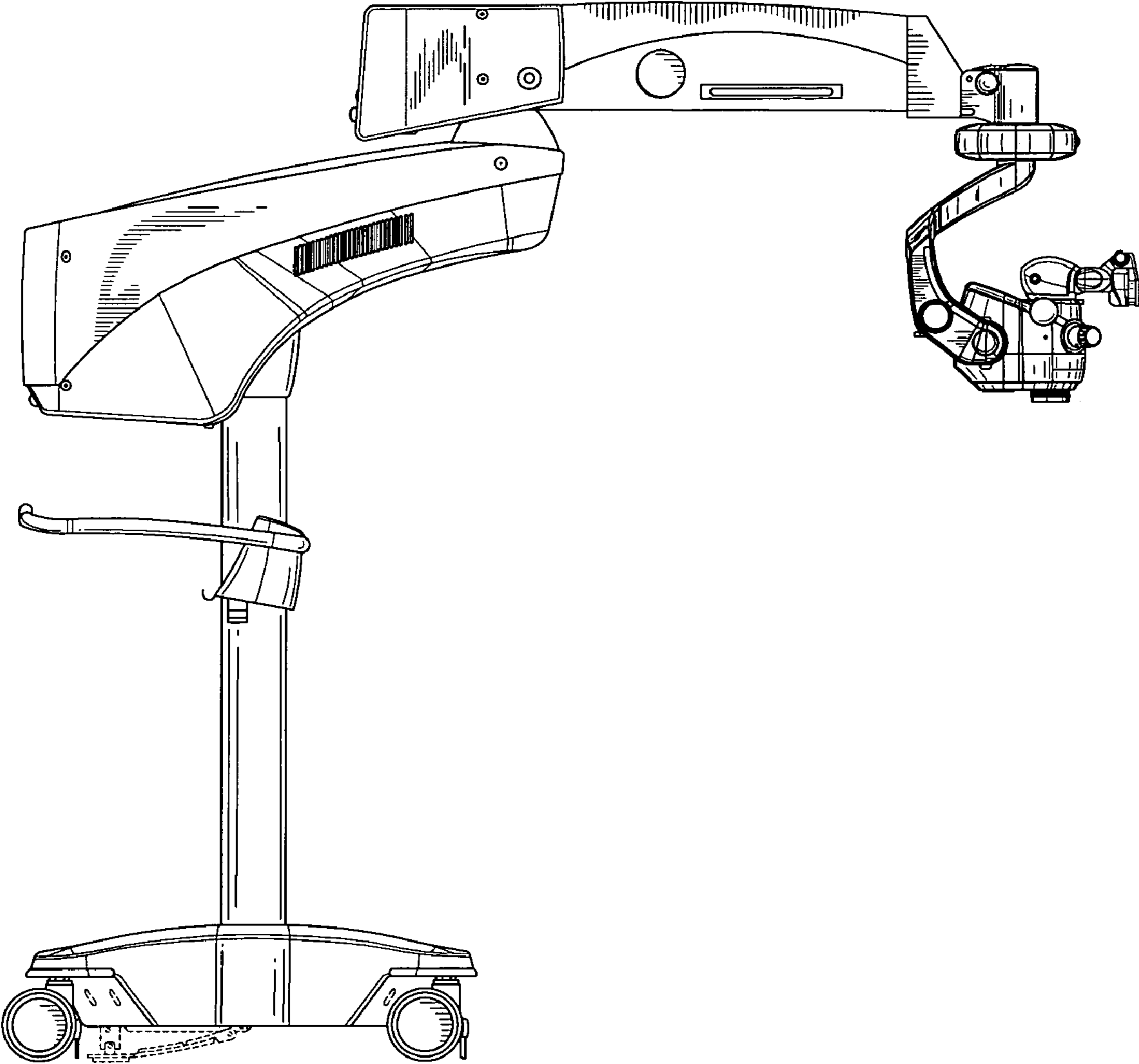


FIG. 3

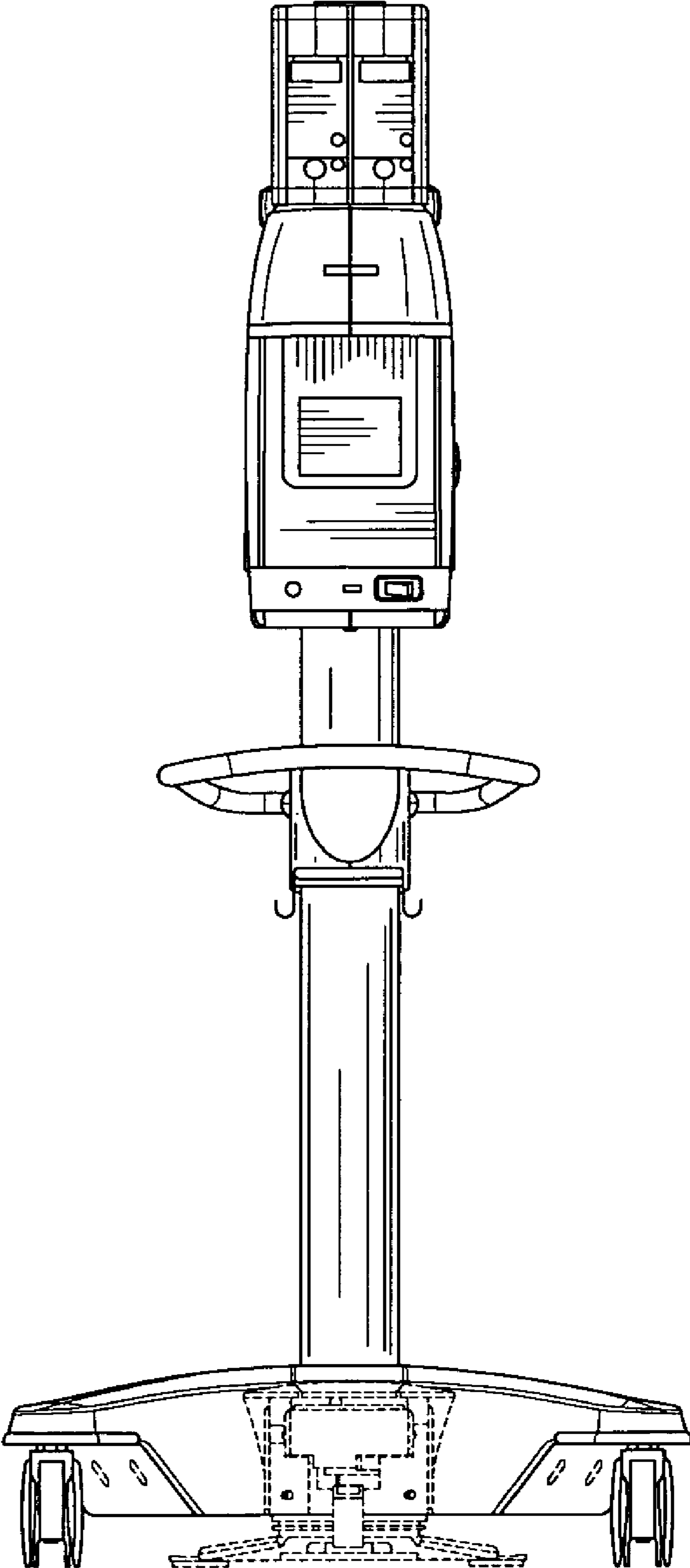


FIG. 4

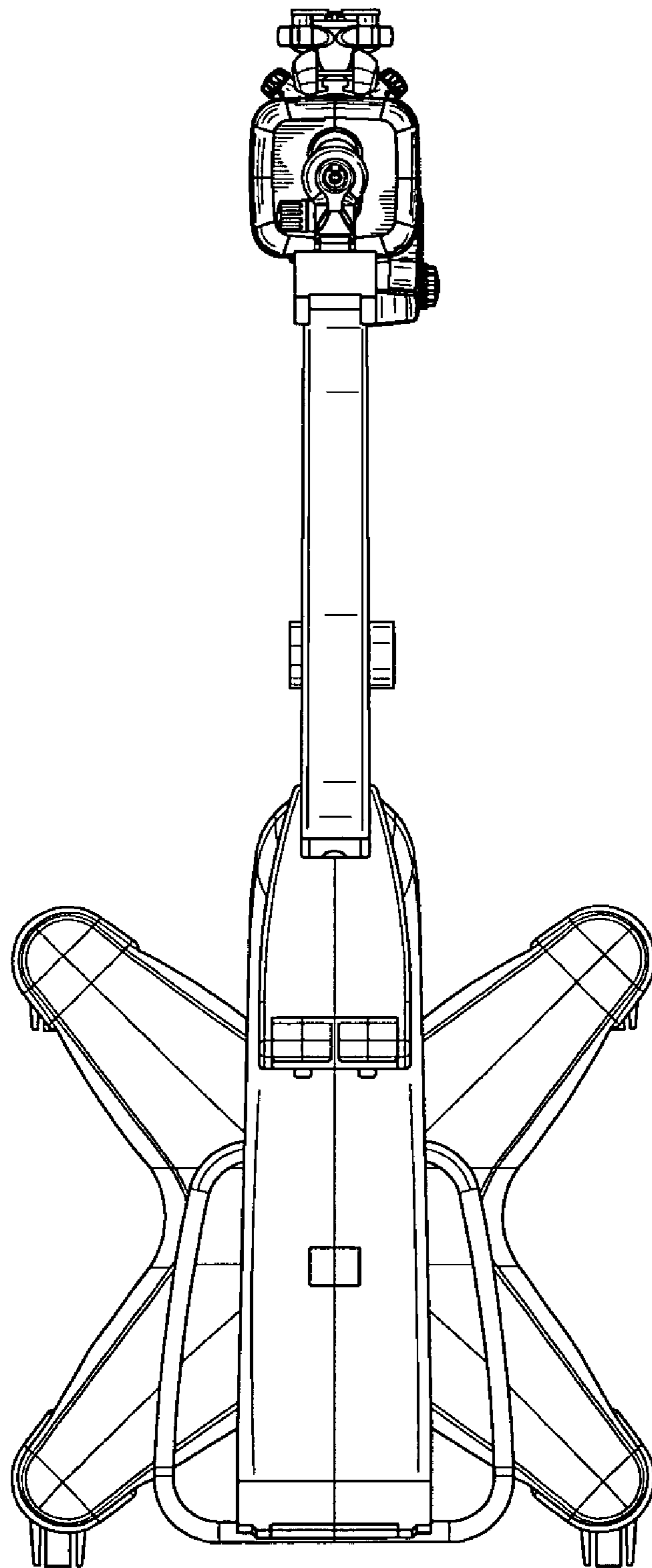


FIG. 5

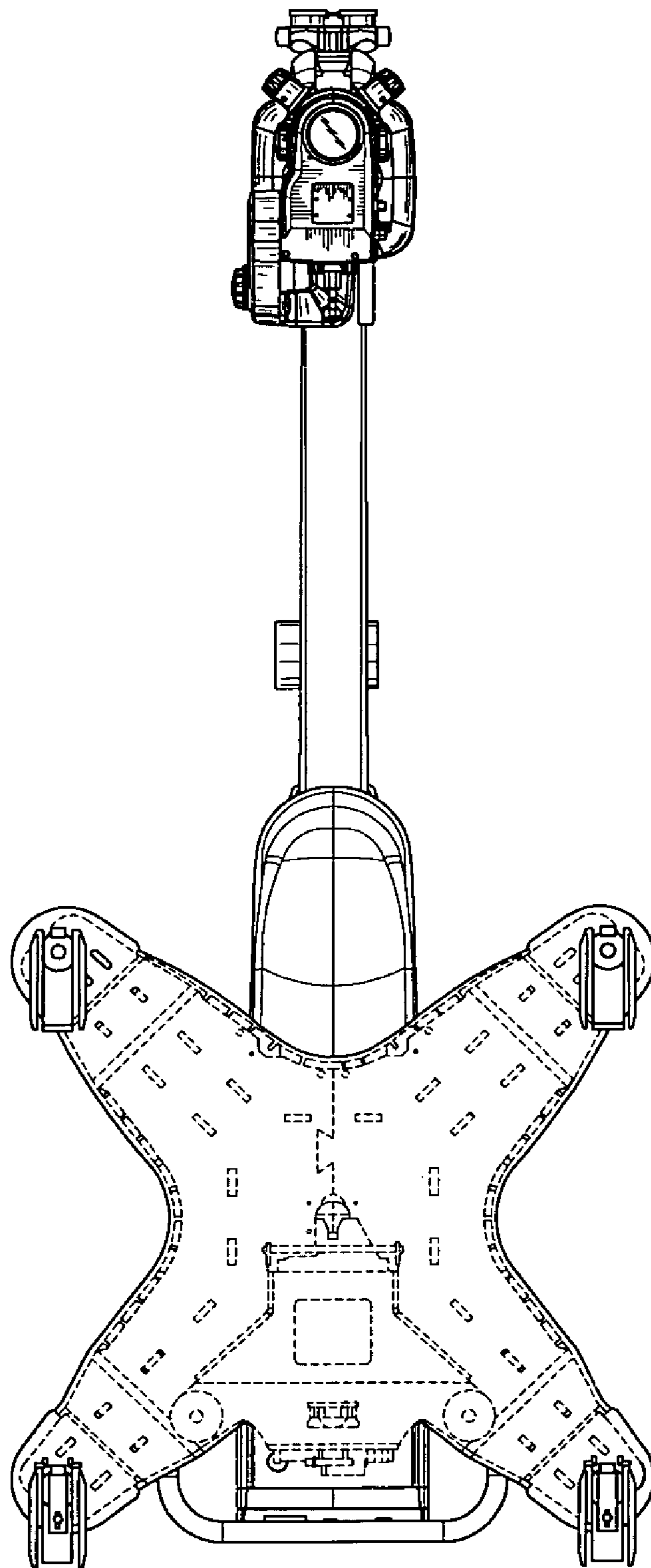


FIG. 6

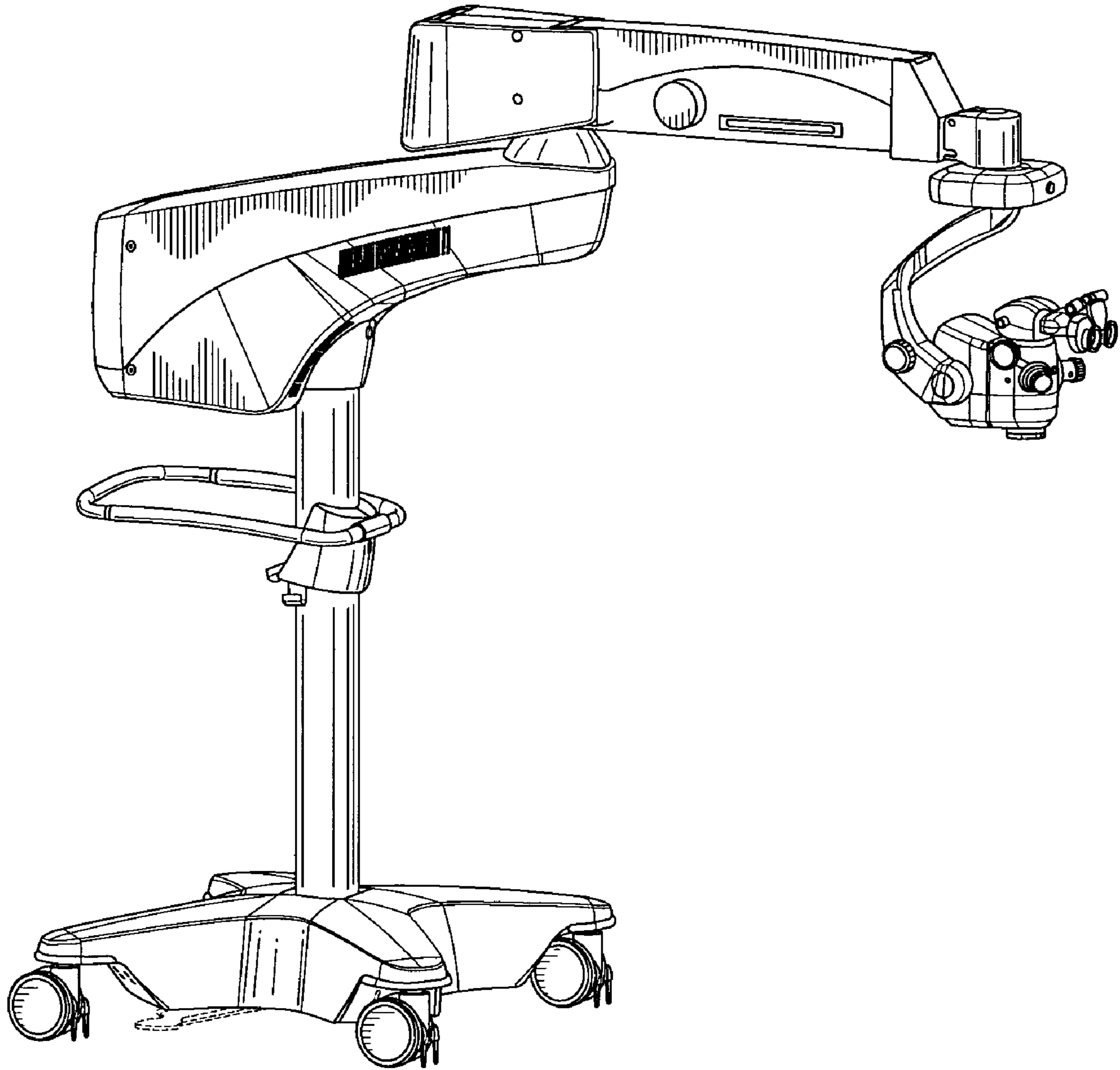


FIG. 7

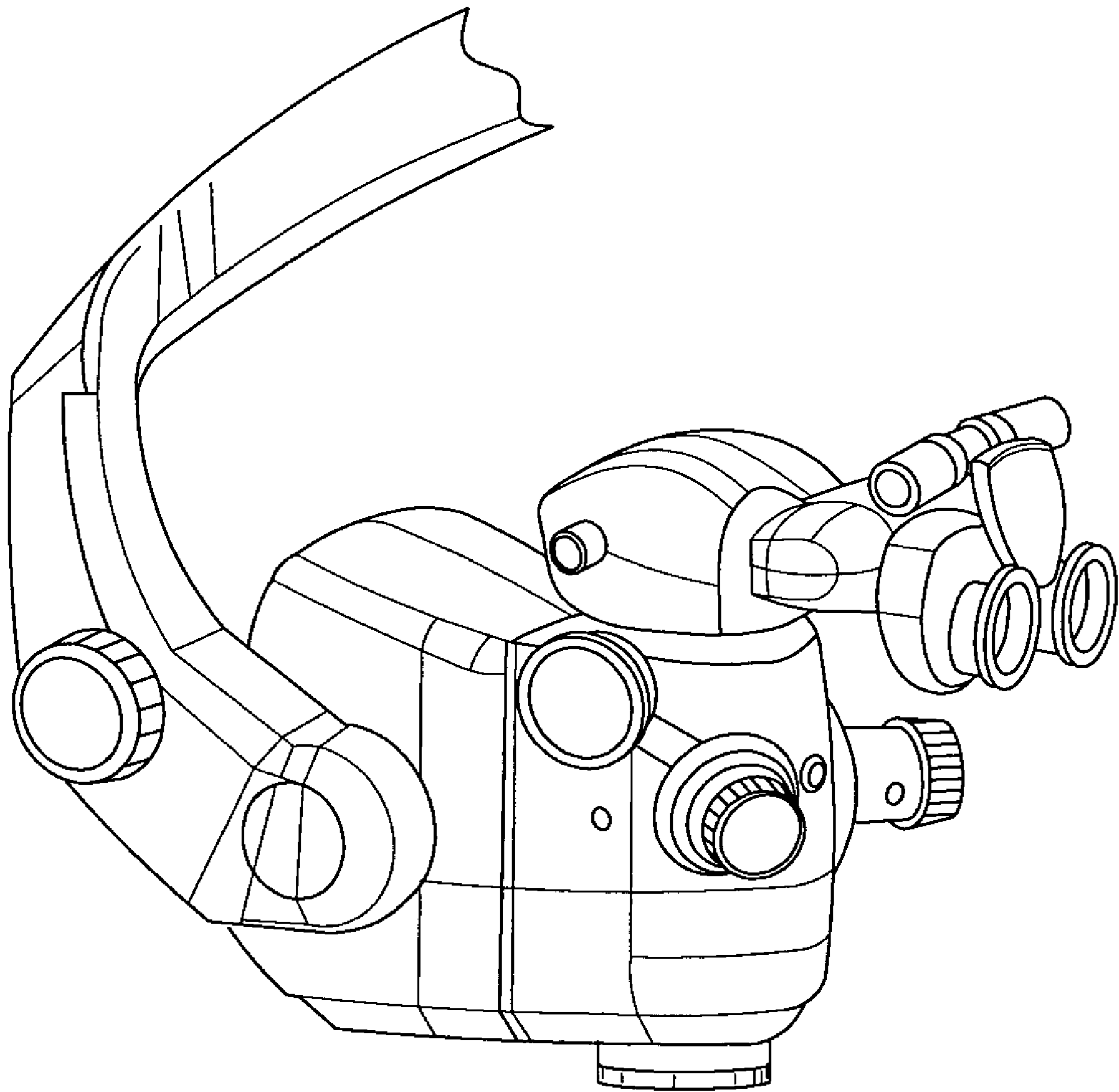


FIG. 8

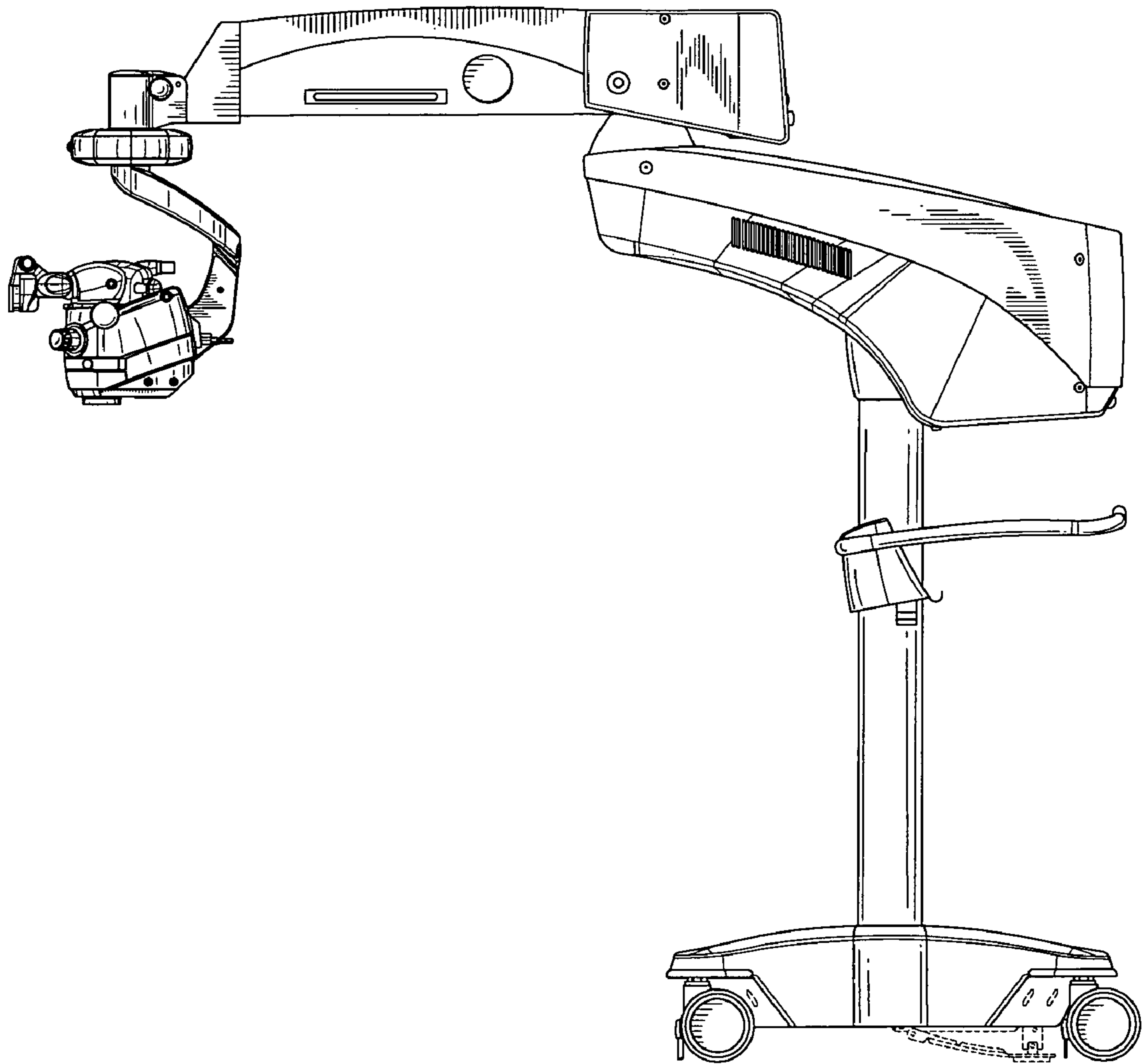


FIG. 9

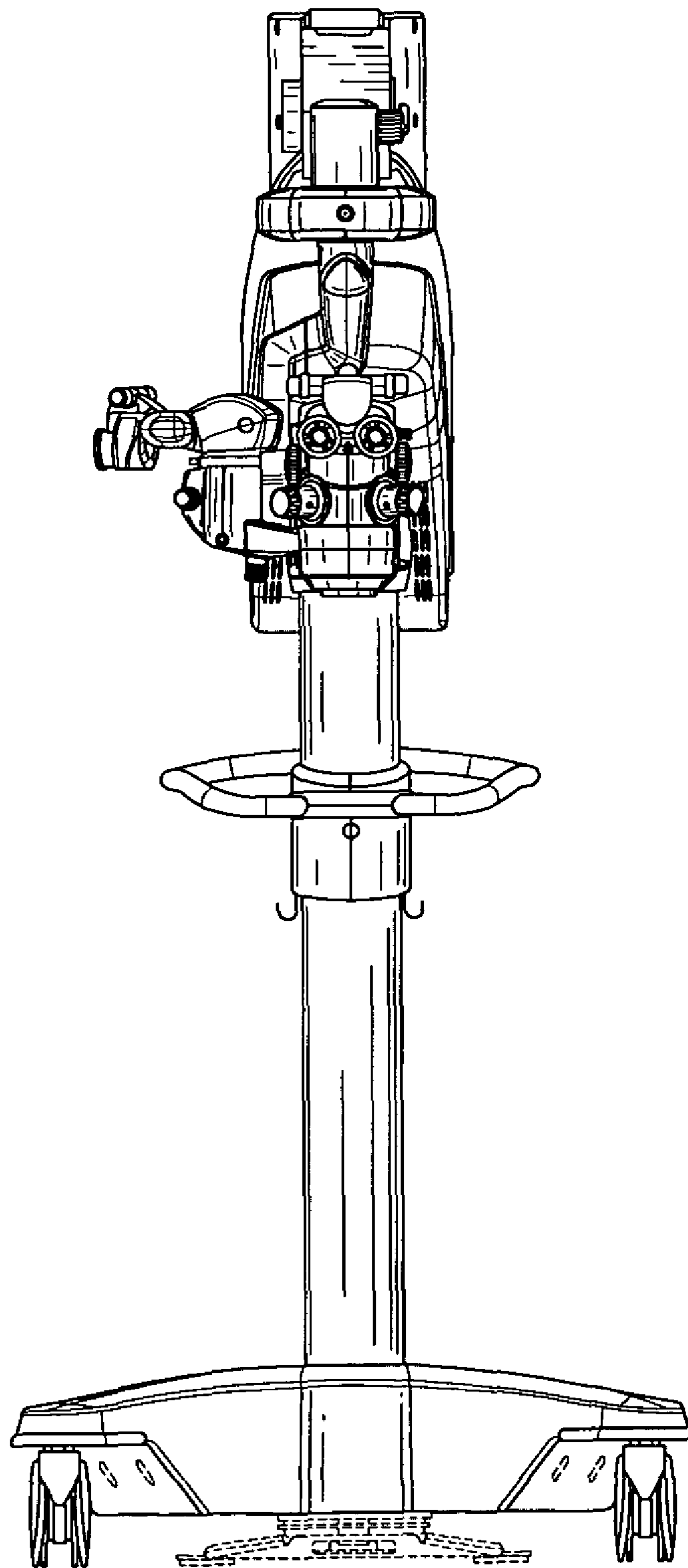


FIG. 10

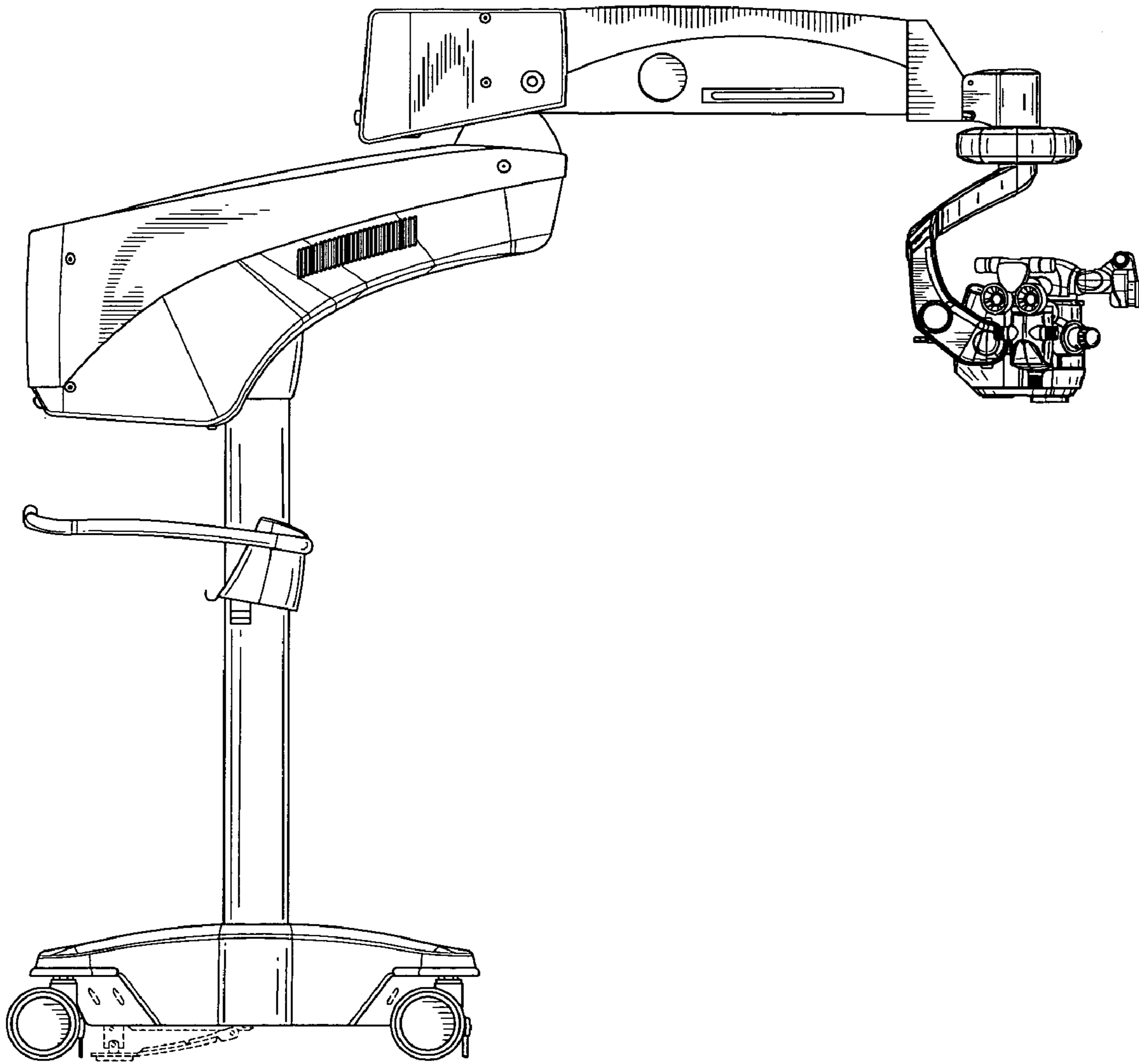


FIG. 11

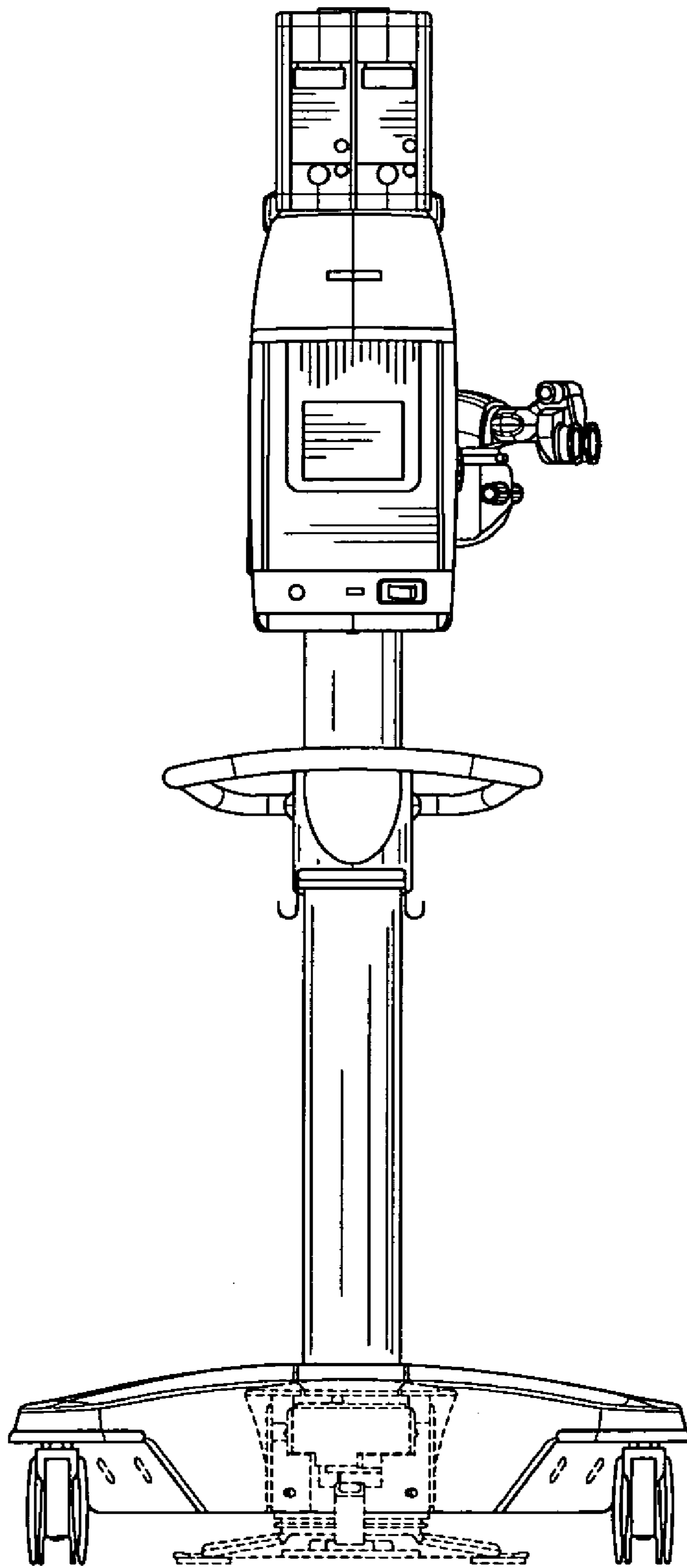


FIG. 12

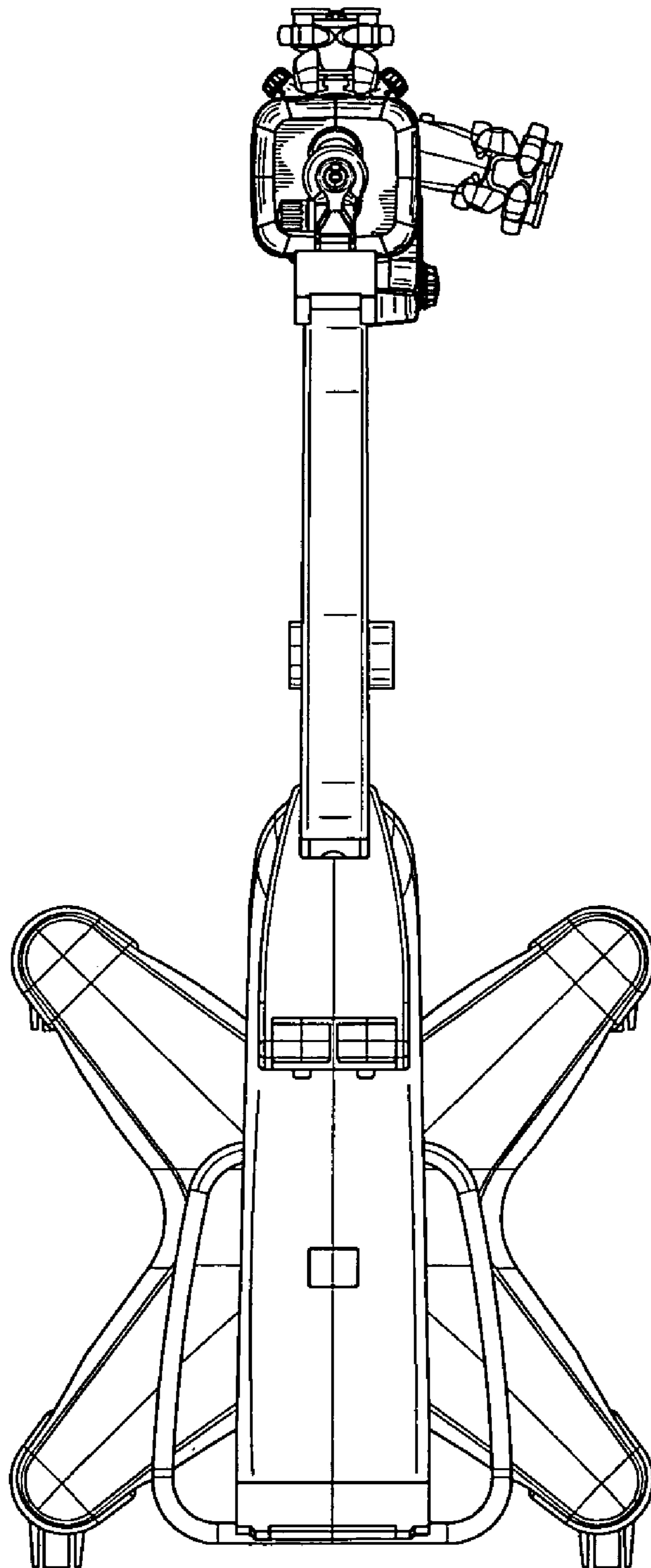


FIG. 13

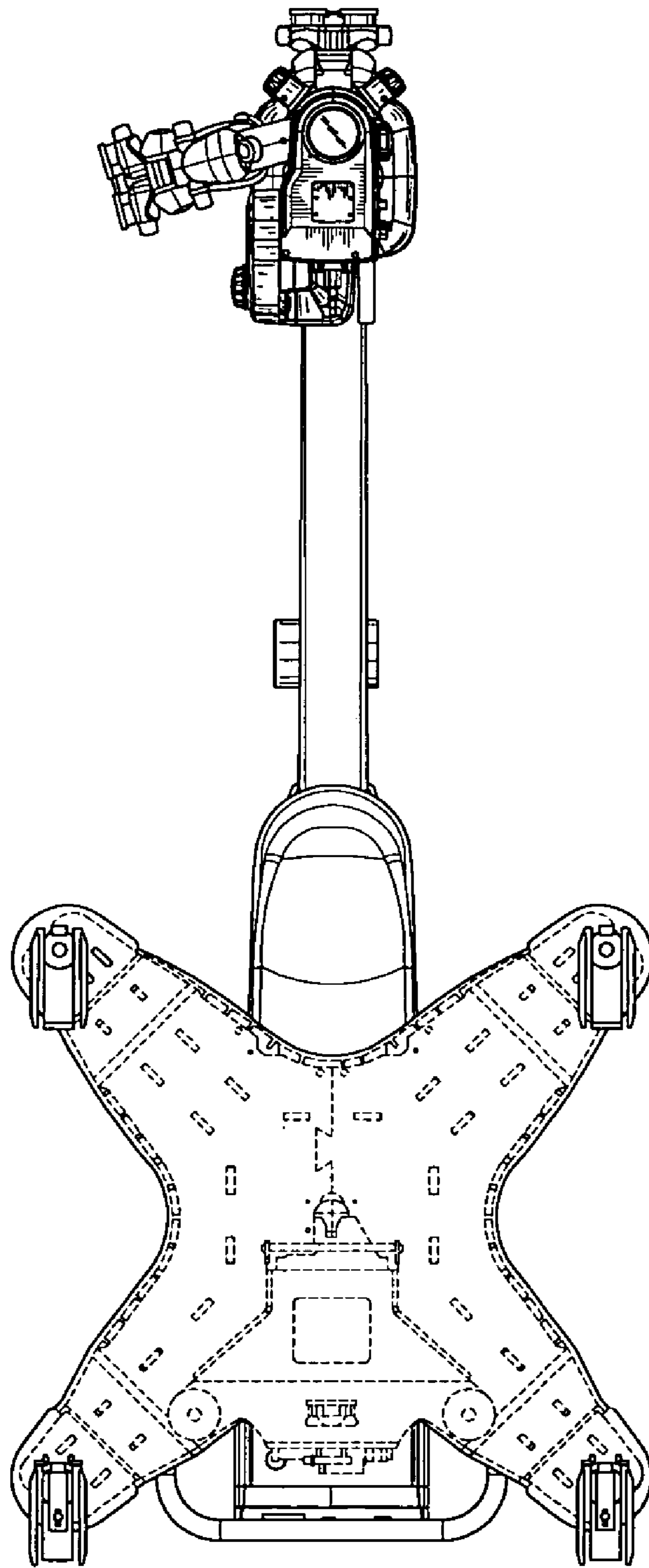


FIG. 14

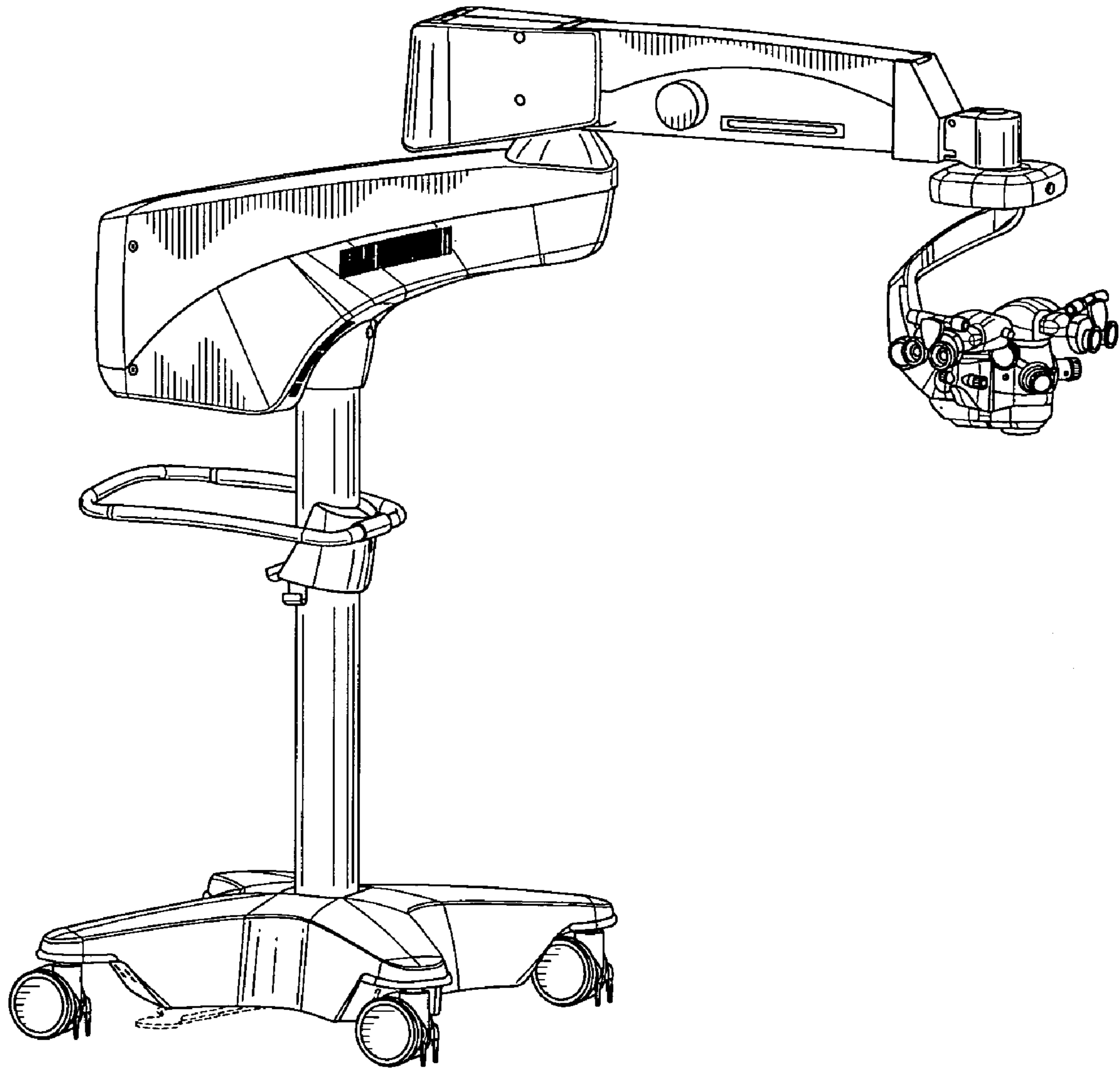


FIG. 15

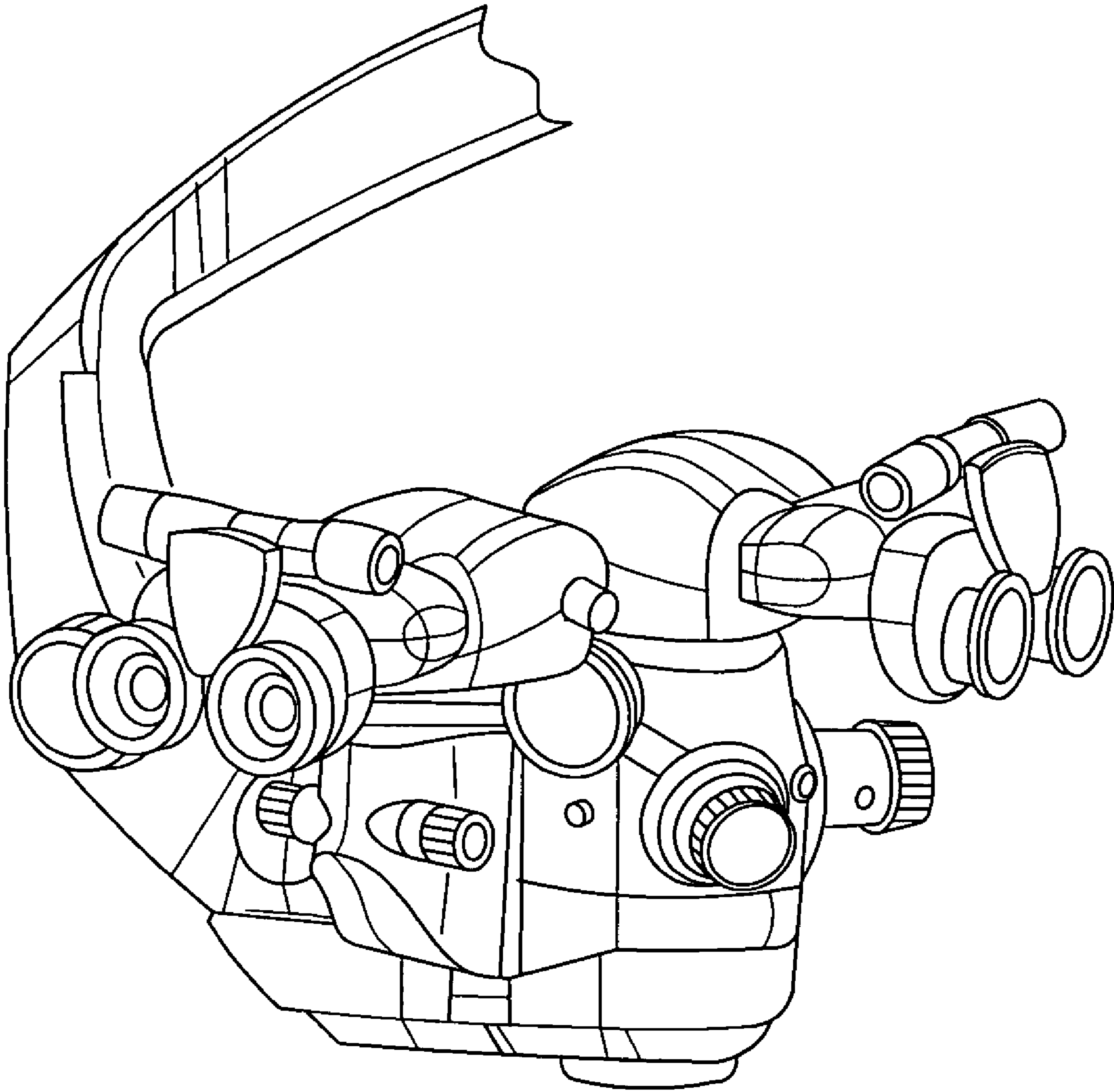


FIG. 16