



US00D634341S

(12) **United States Design Patent**
Luotoharju

(10) **Patent No.:** **US D634,341 S**
(45) **Date of Patent:** **** Mar. 15, 2011**

(54) **WIRE GUIDE FOR SLIPFORM CASTING MACHINES**

(75) Inventor: **Janne Luotoharju**, Tampere (FI)

(73) Assignee: **Elematic Group Oy**, Toijala (FI)

(**) Term: **14 Years**

(21) Appl. No.: **29/370,640**

(22) Filed: **Aug. 16, 2010**

(30) **Foreign Application Priority Data**

Apr. 7, 2010 (EM) 001691593

(51) **LOC (9) Cl.** **15-09**

(52) **U.S. Cl.** **D15/135; D15/145**

(58) **Field of Classification Search** D8/349,
D8/354, 355, 356, 358; D13/133, 153, 154,
D13/155, 184; D15/122, 135, 136, 145,
D15/146; D25/119, 123; 100/26, 33 R;
140/93 A, 115, 118, 119, 124; 191/12.4;
242/378.1, 385.1, 388, 388.1, 388.5, 397,
242/438; 429/99, 156, 199; 439/4, 501,
439/502

See application file for complete search history.

(56) **References Cited**

U.S. PATENT DOCUMENTS

D266,522 S * 10/1982 Norris et al. D15/145
D435,256 S * 12/2000 Hibino D14/435

D452,135 S * 12/2001 Wyatt et al. D8/354
D460,051 S * 7/2002 Liao D13/155
6,584,891 B1 * 7/2003 Smith et al. 100/26
D502,191 S * 2/2005 Doyle D15/145
D502,193 S * 2/2005 Doyle D15/145
D503,942 S * 4/2005 Robinson D15/145
D504,448 S * 4/2005 Doyle D15/145
D538,621 S * 3/2007 Van Es D8/72
D596,020 S * 7/2009 Lisowski D8/380
2005/0204797 A1 * 9/2005 Speck 72/428
2008/0305673 A1 * 12/2008 Kinsey, Jr. 439/367

* cited by examiner

Primary Examiner — Patricia Palasik

(74) *Attorney, Agent, or Firm* — Klauber & Jackson LLC

(57) **CLAIM**

The ornamental design for a wire guide for slipform casting machines, as shown and described.

DESCRIPTION

FIG. 1 is a perspective view showing the front, left side and top of a wire guide for slipform casting machines of my new design;

FIG. 2 is a rear view thereof;

FIG. 3 is a front view thereof;

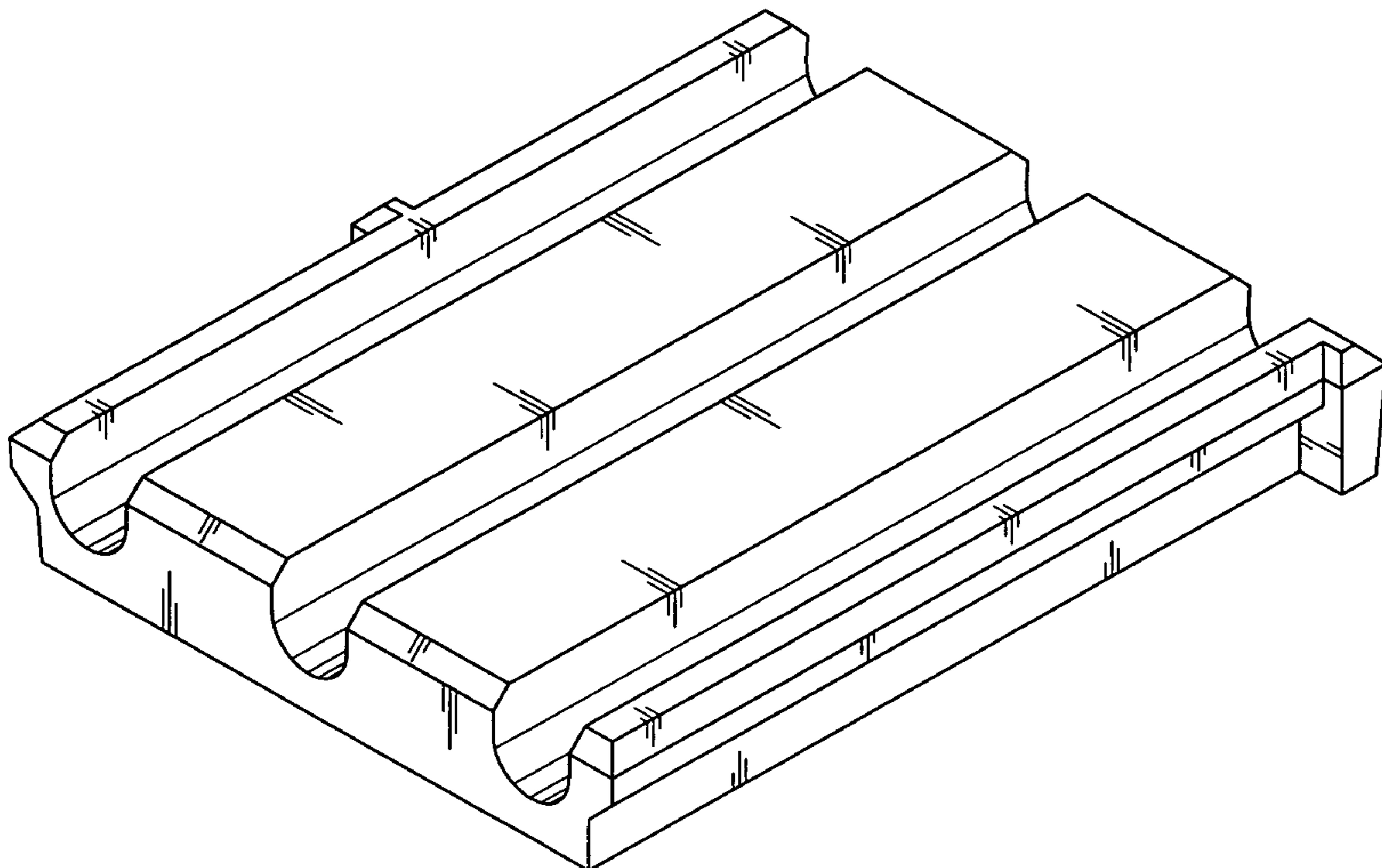
FIG. 4 is a left side view thereof;

FIG. 5 is a right side view thereof;

FIG. 6 is a top view thereof; and,

FIG. 7 is a bottom view thereof.

1 Claim, 4 Drawing Sheets



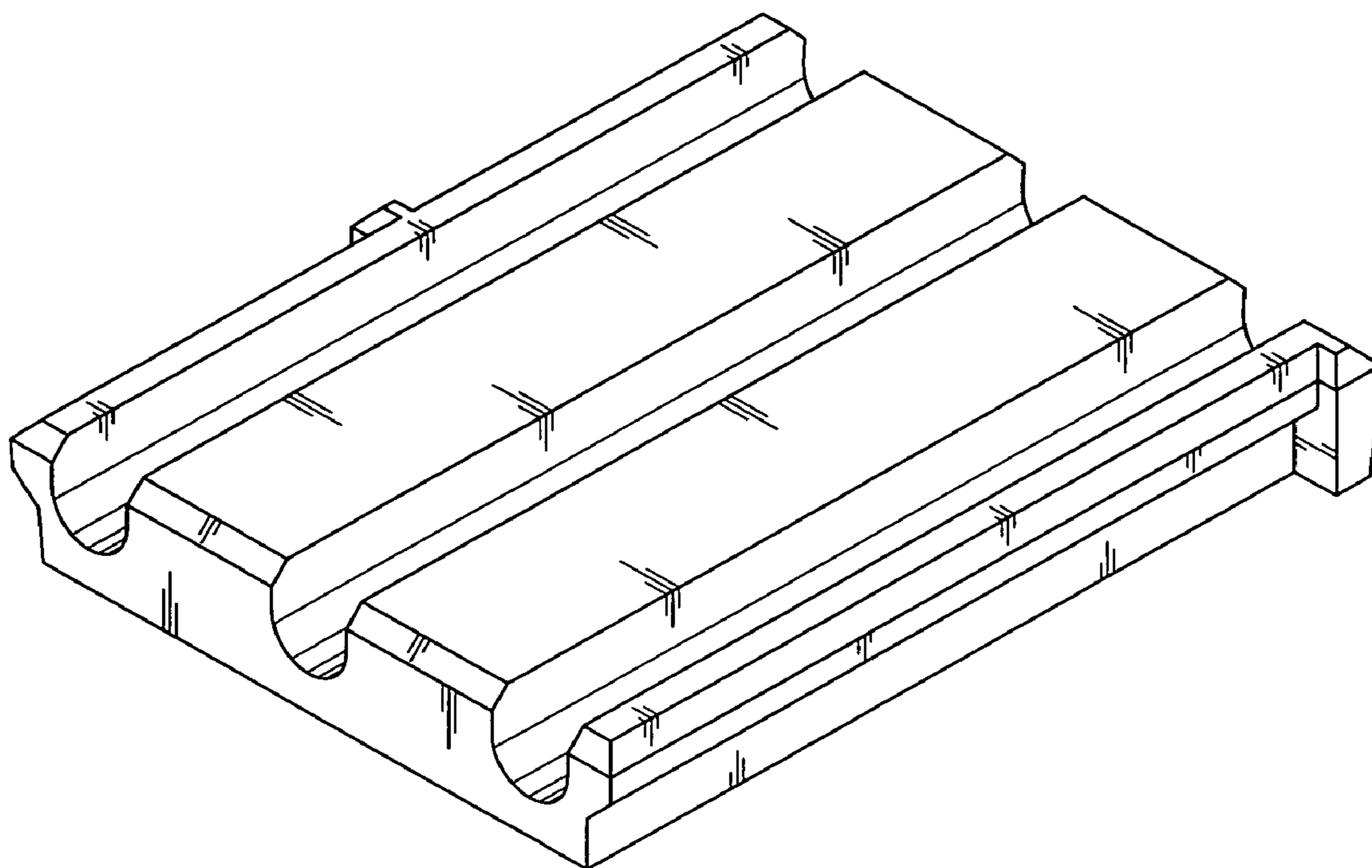


FIG. 1

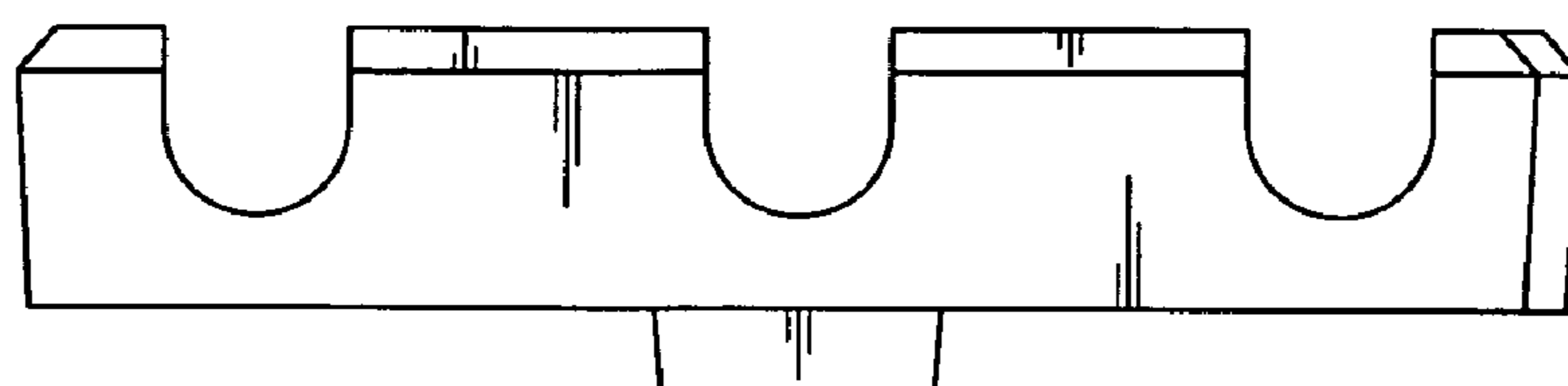


FIG. 2

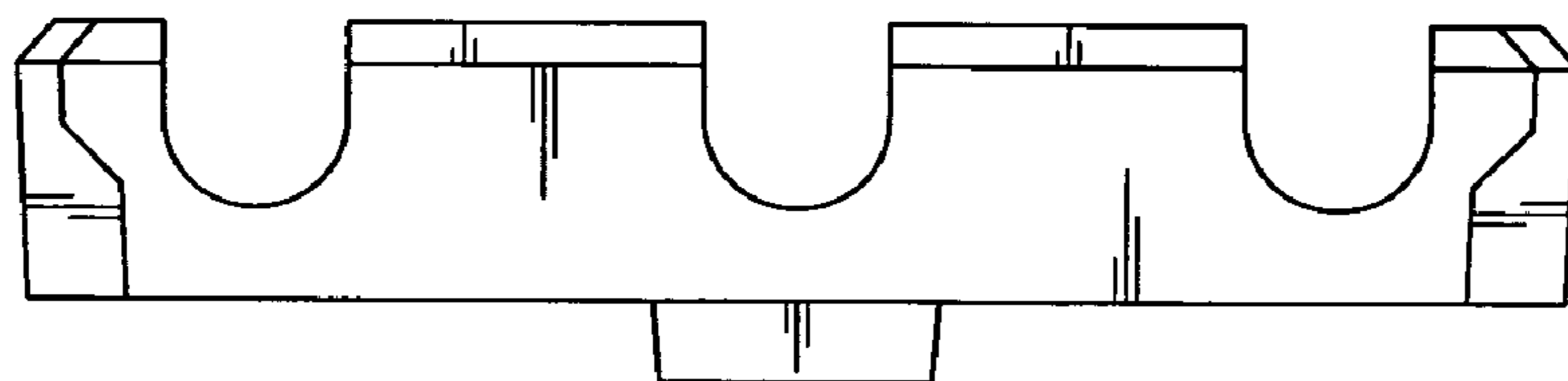


FIG. 3

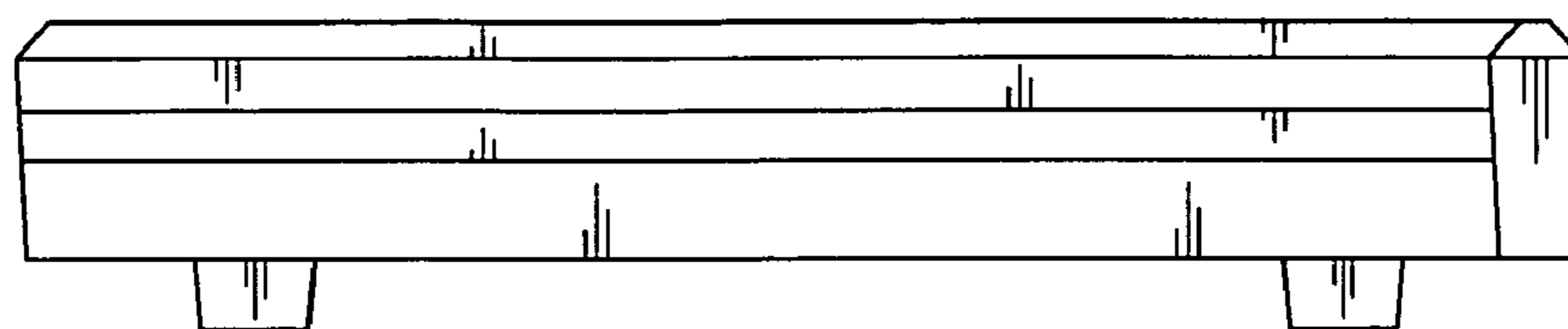


FIG. 4

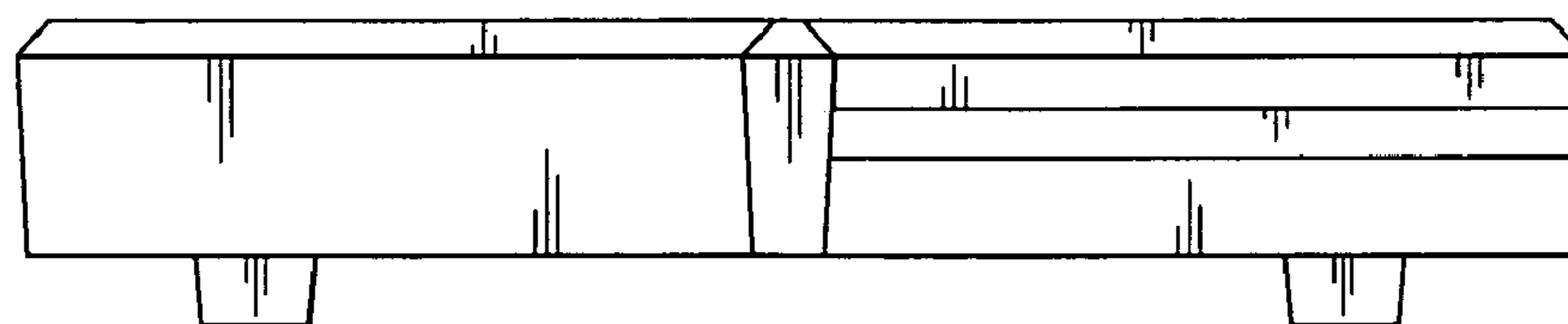


FIG. 5

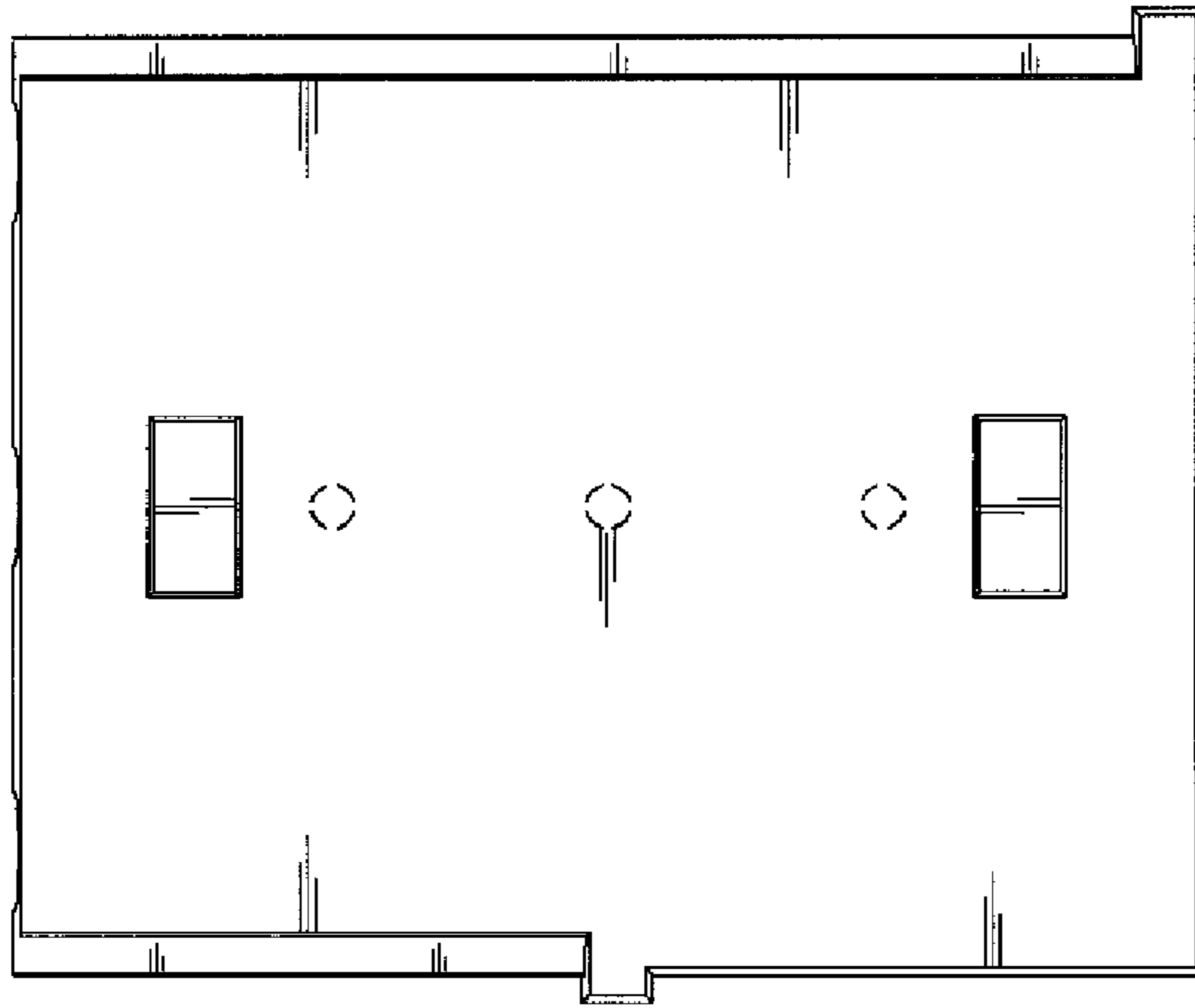


FIG. 7

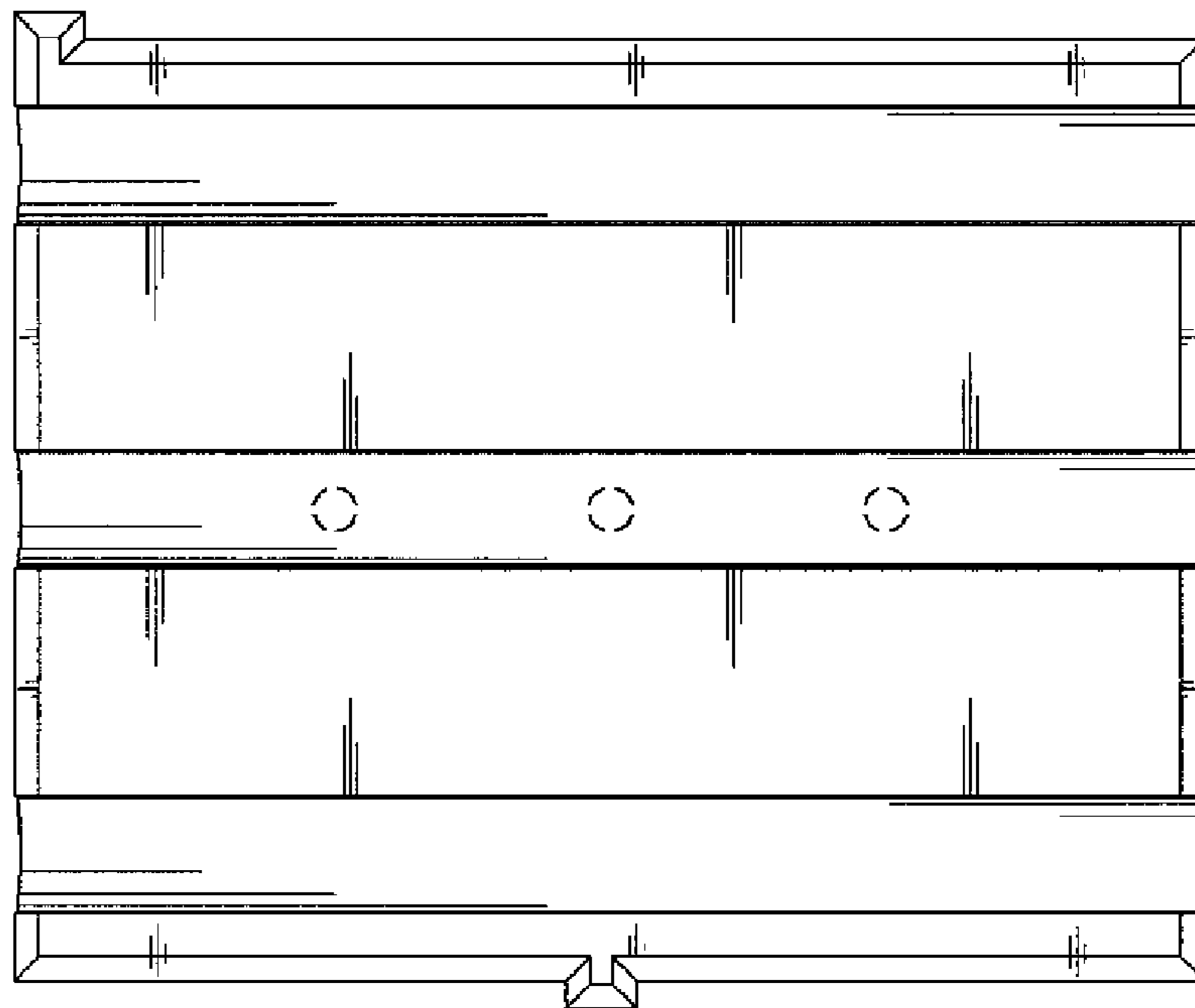


FIG. 6