



US00D634340S

(12) **United States Design Patent**  
**Luotoharju**

(10) **Patent No.:** **US D634,340 S**  
(45) **Date of Patent:** **\*\* Mar. 15, 2011**

(54) **WIRE GUIDE PARTS FOR SLIPFORM CASTING MACHINES**

(75) Inventor: **Janne Luotoharju**, Tampere (FI)

(73) Assignee: **Elematic Group OY**, Tiojala (FI)

(\*\*) Term: **14 Years**

(21) Appl. No.: **29/370,636**

(22) Filed: **Aug. 16, 2010**

(30) **Foreign Application Priority Data**

Apr. 7, 2010 (EM) ..... 001691593

(51) **LOC (9) Cl.** ..... **15-09**

(52) **U.S. Cl.** ..... **D15/135; D15/145**

(58) **Field of Classification Search** ..... D8/349,  
D8/354, 355, 356, 358; D13/133, 153, 154,  
D13/155, 184; D15/122, 135, 136, 145,  
D15/146; D25/119, 123; 100/26, 33 R;  
140/93 A, 115, 118, 119, 124; 191/12.4;  
242/378.1, 385.1, 388, 388.1, 388.5, 397,  
242/438; 429/99, 156, 199; 439/4, 501,  
439/502

See application file for complete search history.

(56) **References Cited**

**U.S. PATENT DOCUMENTS**

D266,522 S \* 10/1982 Norris et al. .... D15/145  
D435,256 S \* 12/2000 Hibino ..... D14/435

D452,135 S \* 12/2001 Wyatt et al. .... D8/354  
D460,051 S \* 7/2002 Liao ..... D13/155  
6,584,891 B1 \* 7/2003 Smith et al. .... 100/26  
D502,191 S \* 2/2005 Doyle ..... D15/145  
D502,193 S \* 2/2005 Doyle ..... D15/145  
D503,942 S \* 4/2005 Robinson ..... D15/145  
D504,448 S \* 4/2005 Doyle ..... D15/145  
D538,621 S \* 3/2007 Van Es ..... D8/72  
D596,020 S \* 7/2009 Lisowski ..... D8/380  
2005/0204797 A1 \* 9/2005 Speck ..... 72/428  
2008/0305673 A1 \* 12/2008 Kinsey, Jr. .... 439/367

\* cited by examiner

*Primary Examiner* — Patricia Palasik

(74) *Attorney, Agent, or Firm* — Klauber & Jackson LLC

(57) **CLAIM**

The ornamental design for a wire guide parts for slipform casting machines, as shown and described.

**DESCRIPTION**

FIG. 1 is a perspective view showing the front, left side and top of a wire guide parts for slipform casting machines of my new design;

FIG. 2 is a rear view thereof;

FIG. 3 is a front view thereof;

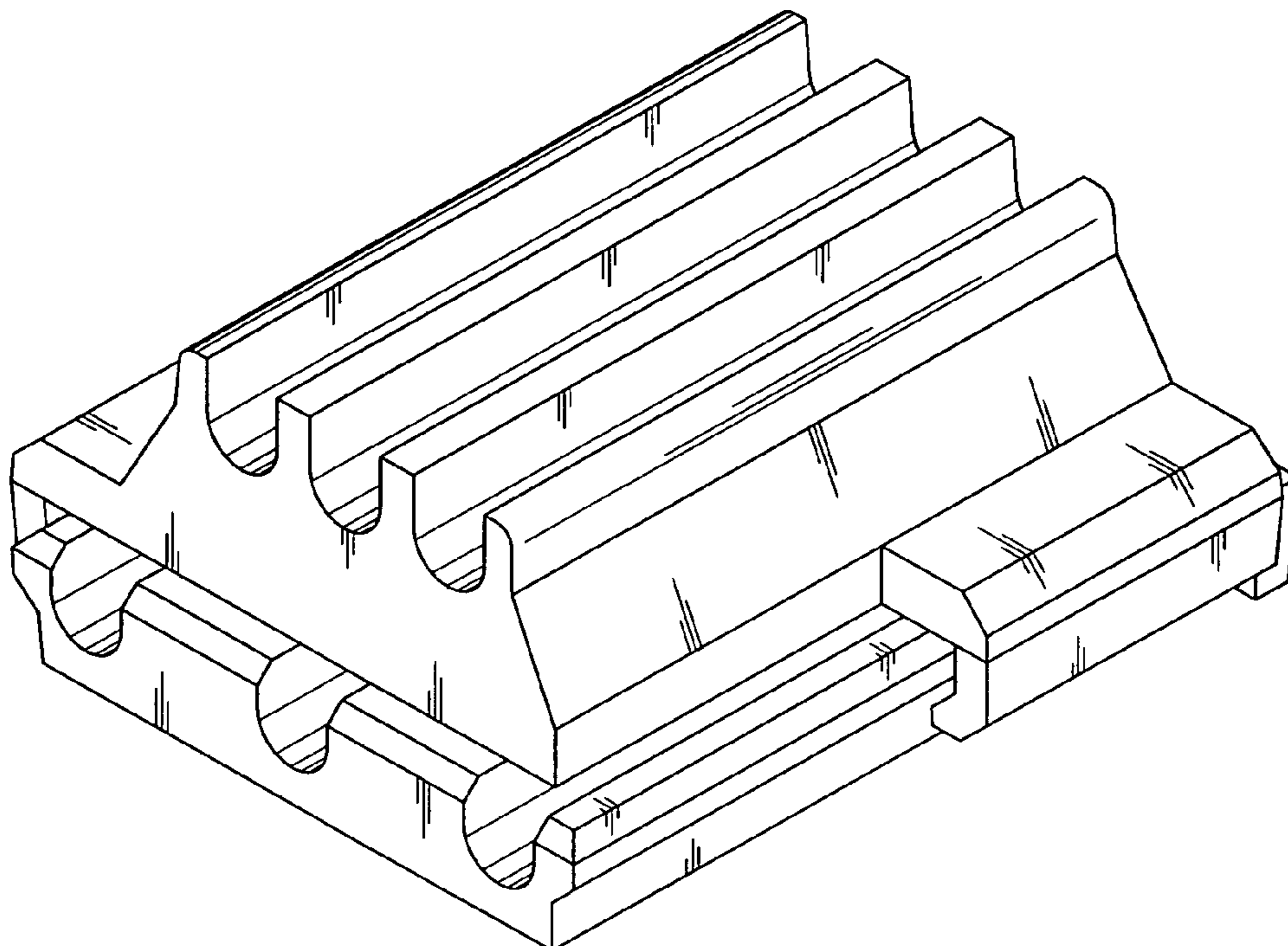
FIG. 4 is a left side view thereof;

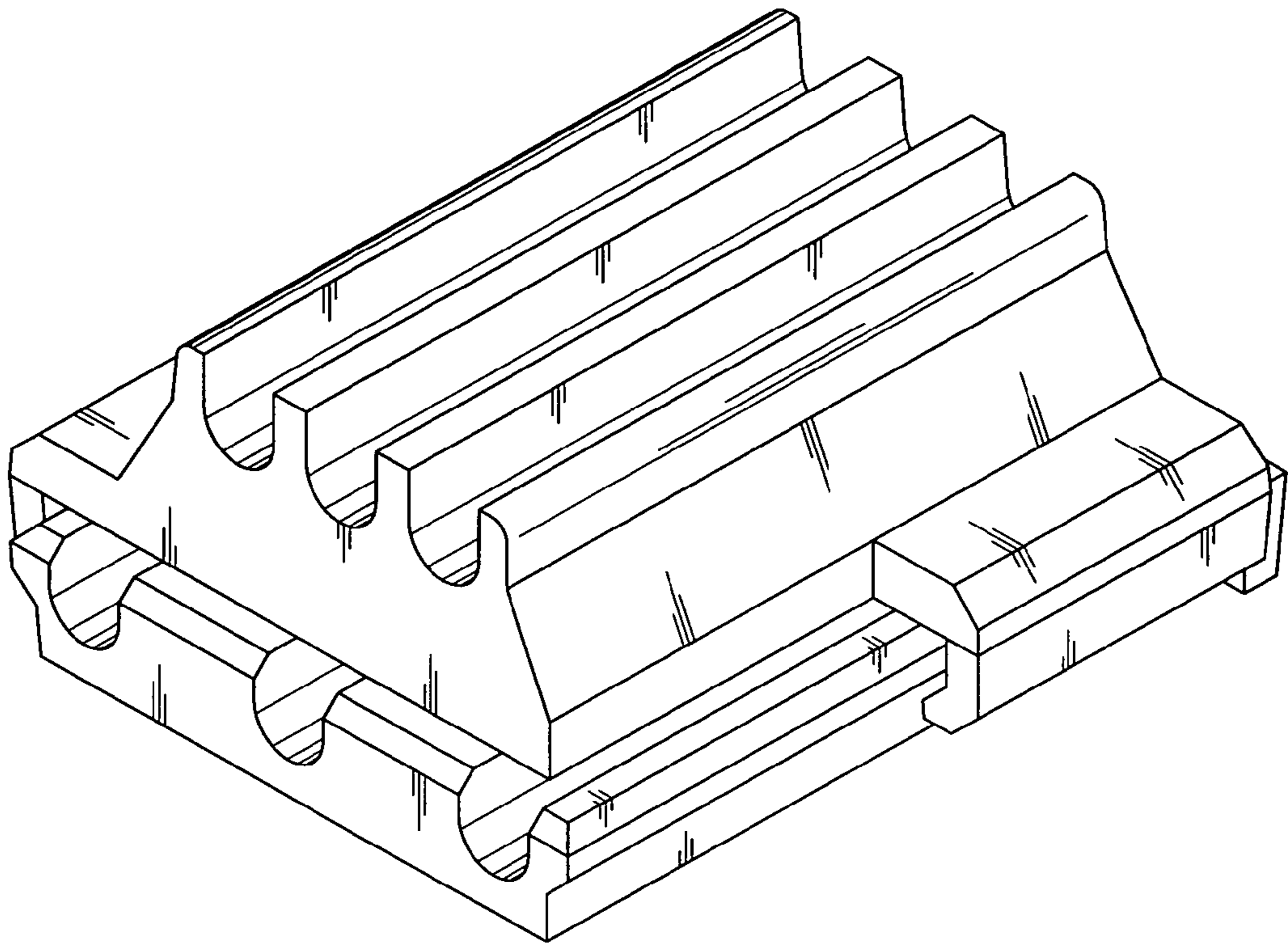
FIG. 5 is a right side view thereof;

FIG. 6 is a top view thereof; and,

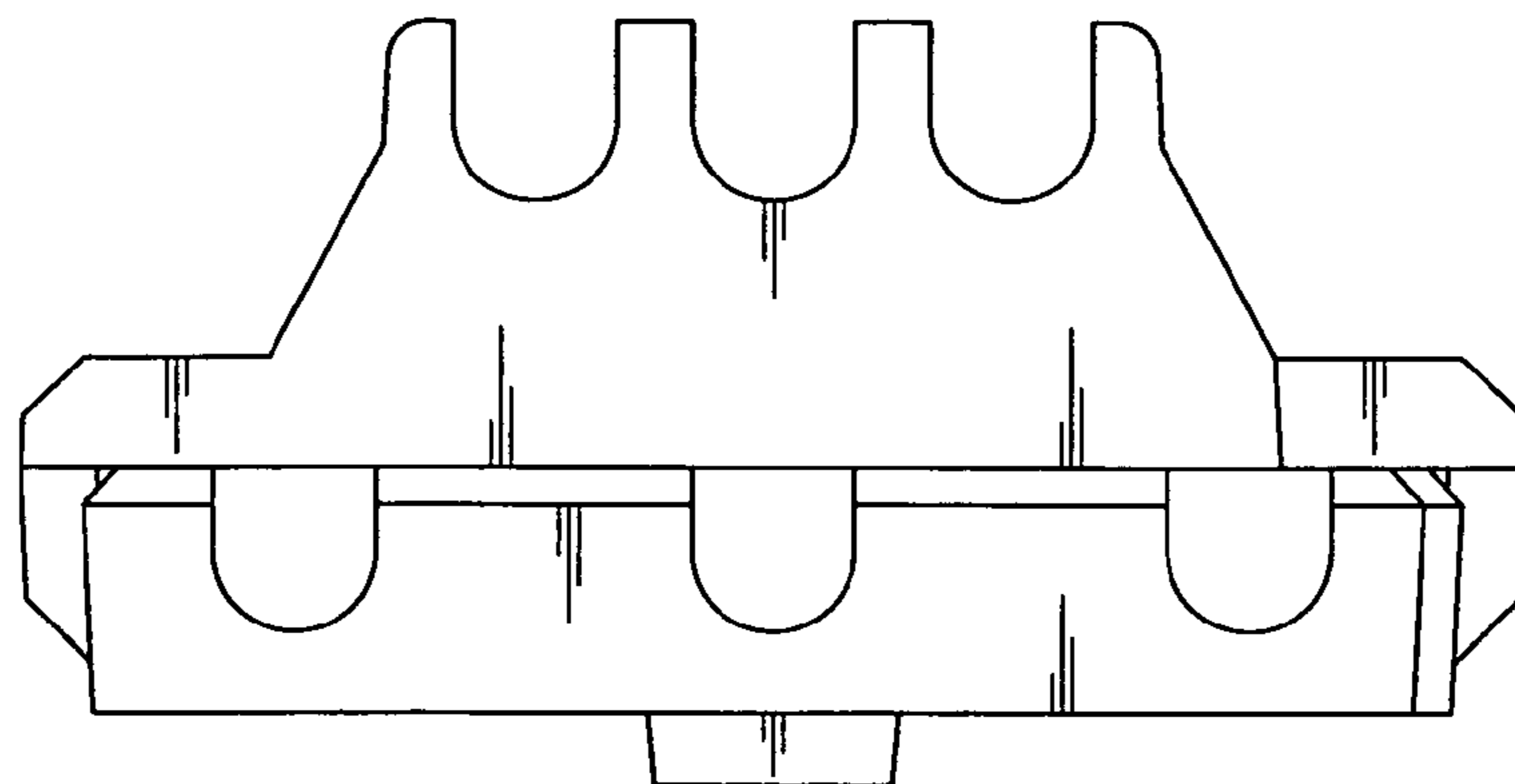
FIG. 7 is a bottom view thereof.

**1 Claim, 4 Drawing Sheets**

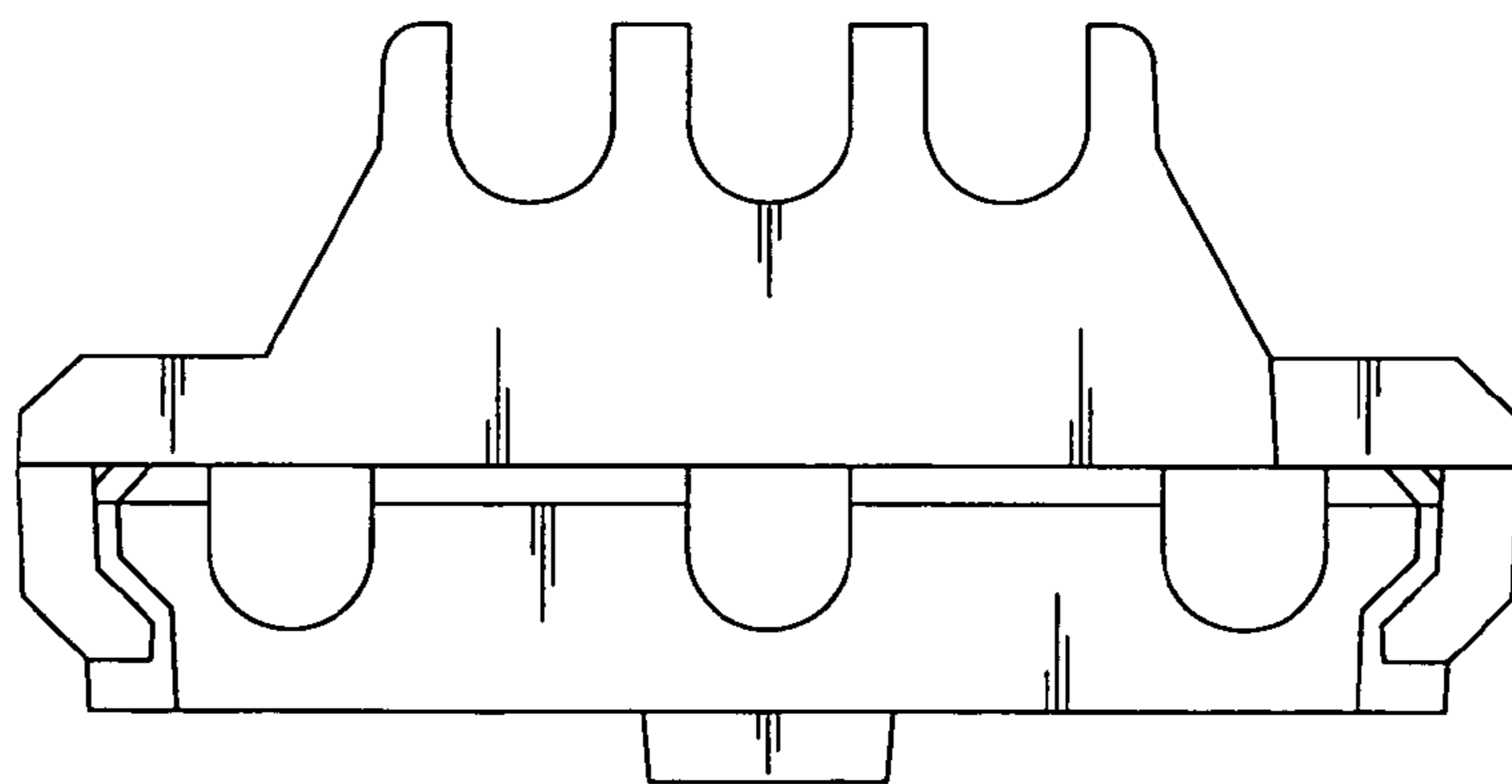




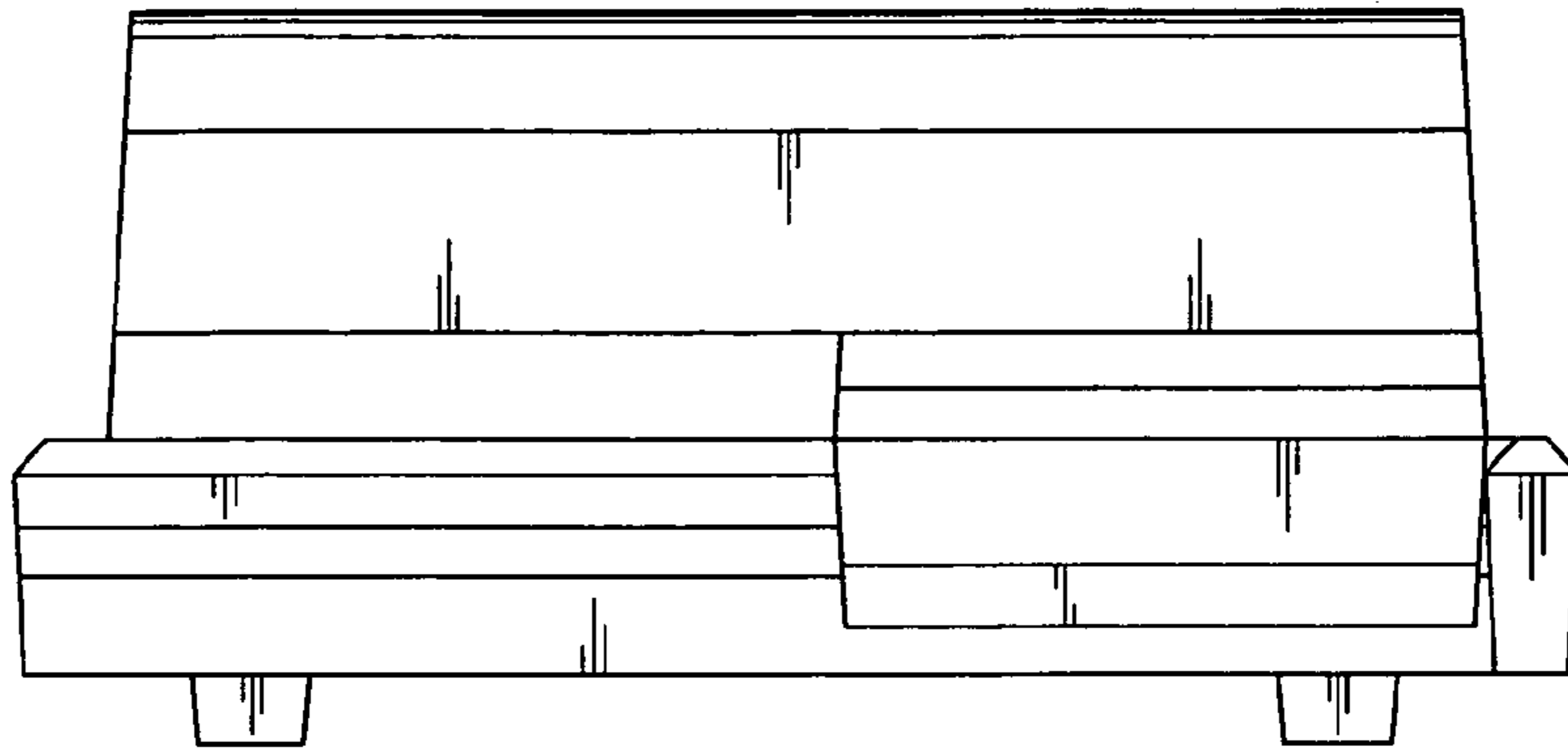
*FIG. 1*



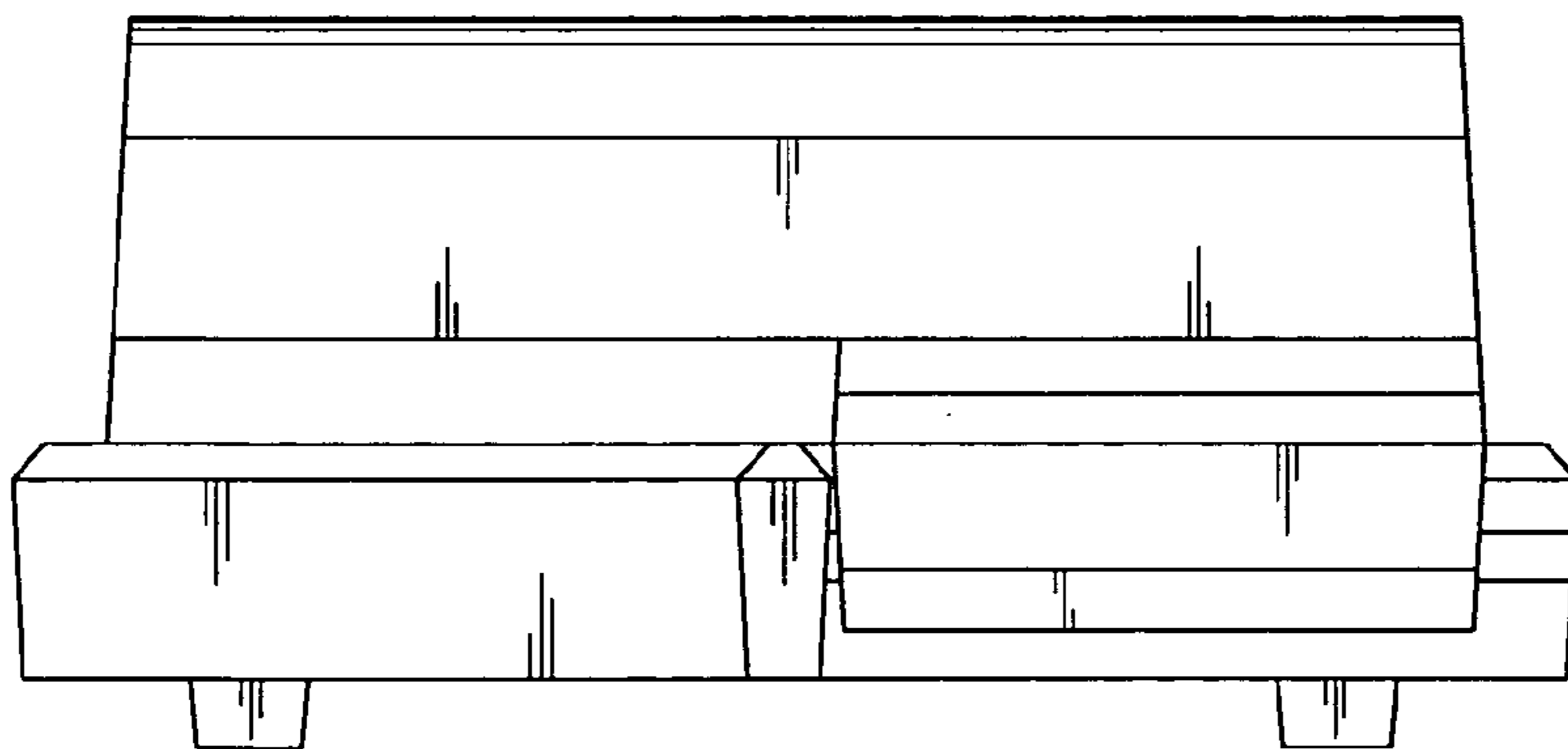
*FIG. 2*



*FIG. 3*



*FIG. 4*



*FIG. 5*

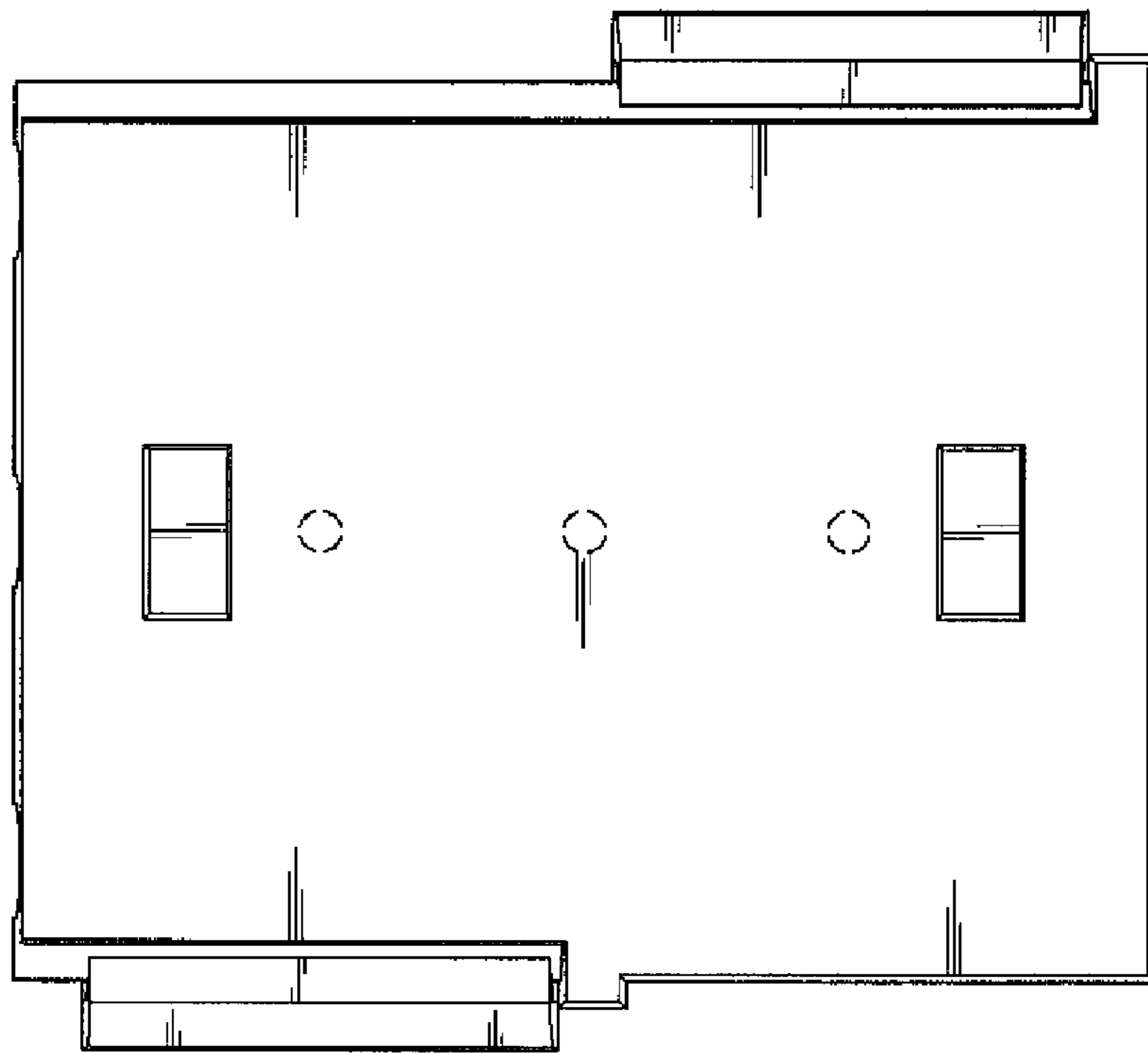


FIG. 7

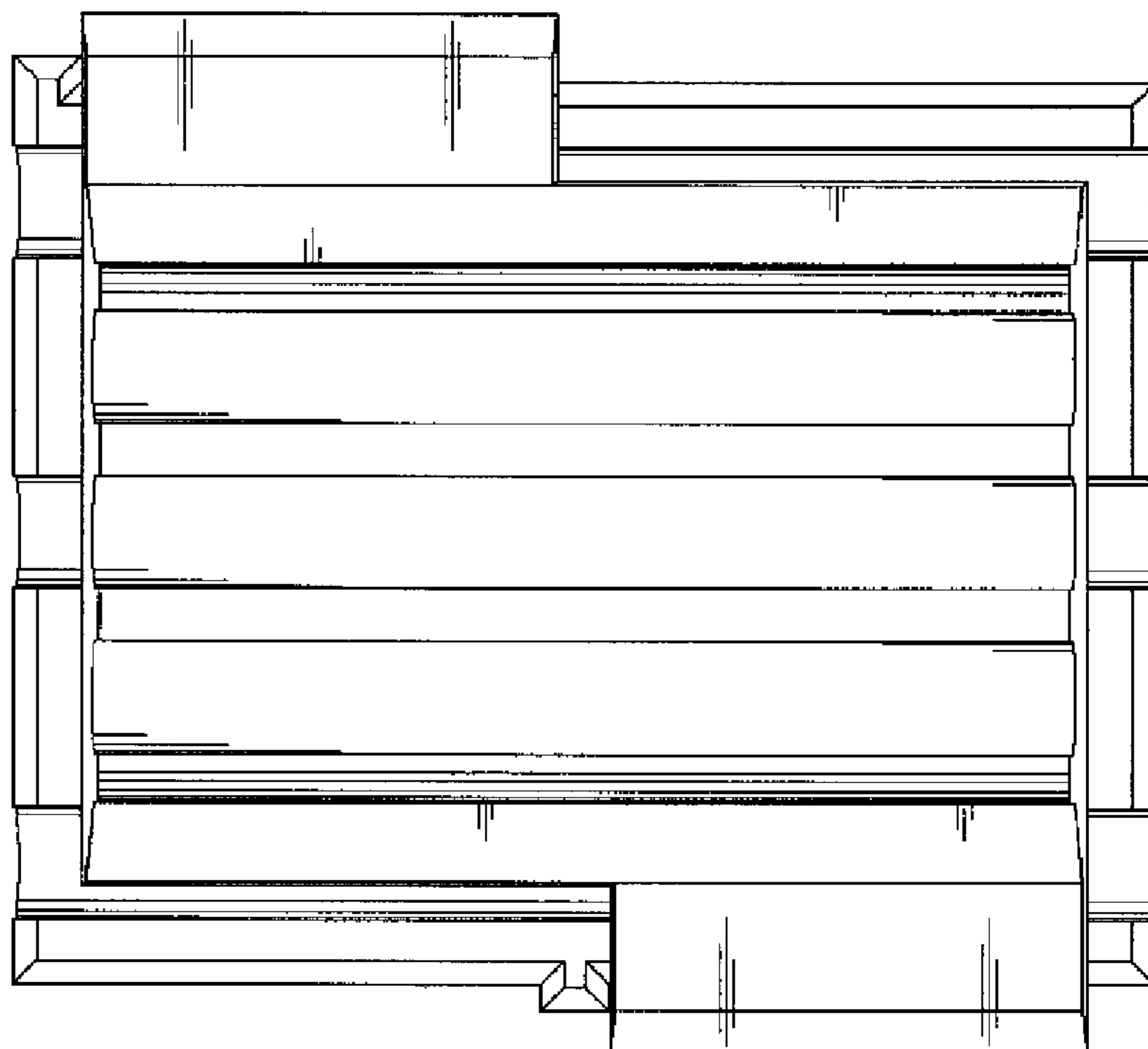


FIG. 6