



US00D634336S

(12) **United States Design Patent**
Tunze et al.

(10) **Patent No.:** **US D634,336 S**
(45) **Date of Patent:** **** Mar. 15, 2011**

(54) **AQUARIUM PUMP**

(75) Inventors: **Axel Tunze**, Penzberg (DE); **Claude Hug**, Horbourg (FR)

(73) Assignee: **Tunze Aquarientechnik GmbH**, Penzberg (DE)

(**) Term: **14 Years**

(21) Appl. No.: **29/360,823**

(22) Filed: **Apr. 30, 2010**

(30) **Foreign Application Priority Data**

Mar. 29, 2010 (EM) 001204721

(51) **LOC (9) Cl.** **15-02**

(52) **U.S. Cl.** **D15/8**

(58) **Field of Classification Search** D15/7-9;
D23/231, 232, 225; 417/410.1, 359, 415-416,
417/234, 321, 265, 405

See application file for complete search history.

(56) **References Cited**

U.S. PATENT DOCUMENTS

D356,576 S * 3/1995 Yazawa D15/8
D567,821 S * 4/2008 Tunze et al. D15/8

* cited by examiner

Primary Examiner — Ralf Seifert

(74) *Attorney, Agent, or Firm* — Factor & Lake, Ltd.

(57) **CLAIM**

The ornamental design for aquarium pump, as shown and described.

DESCRIPTION

FIG. 1 is a front view of the aquarium pump showing a new ornamental design thereof;

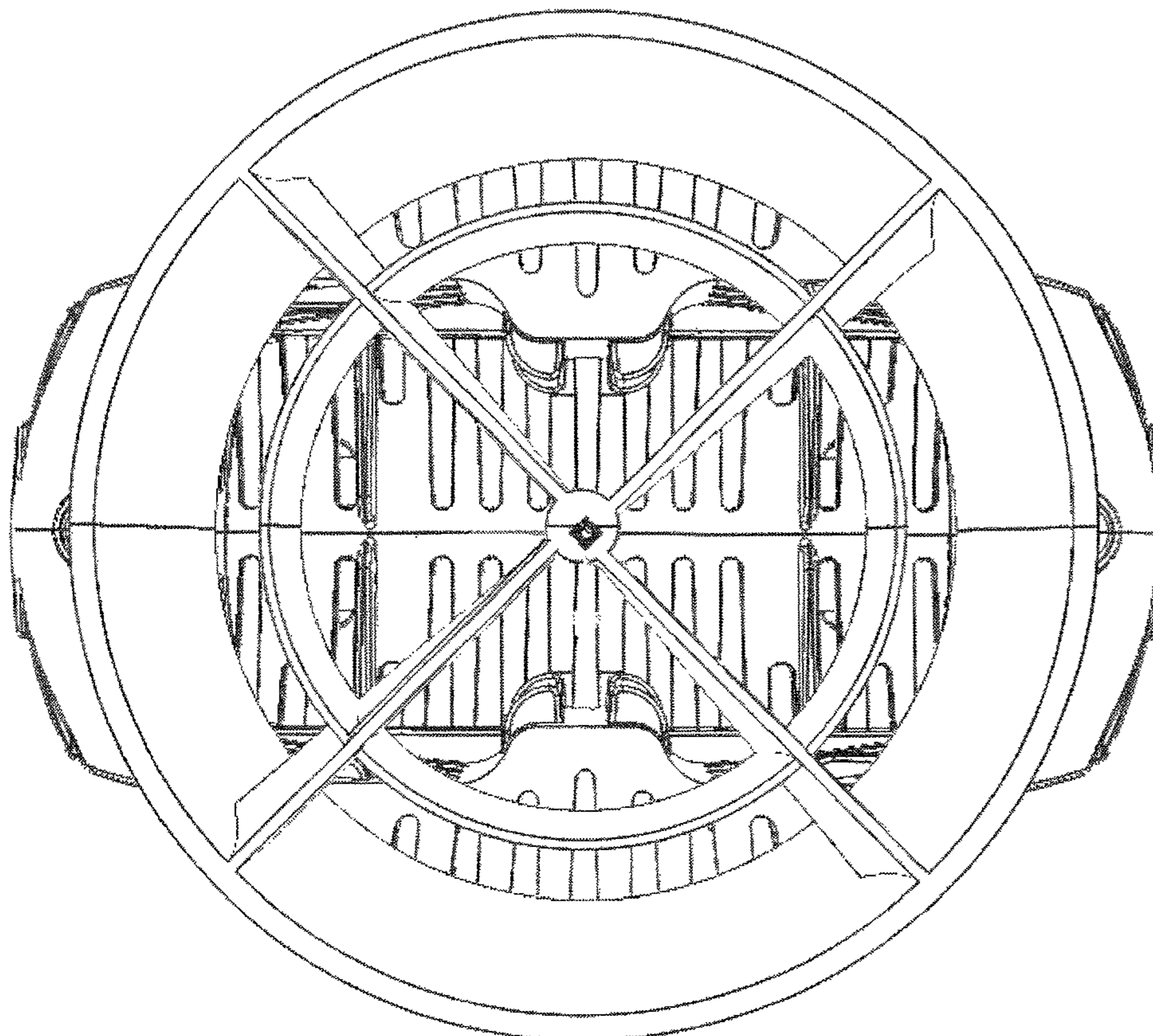
FIG. 2 is a right side view of the aquarium pump shown in FIG. 1;

FIG. 3 is a right side perspective view of the aquarium pump shown in FIG. 1;

FIG. 4 is a top view of the aquarium pump shown in FIG. 1; and,

FIG. 5 is a back view of the aquarium pump shown in FIG. 1.

1 Claim, 5 Drawing Sheets



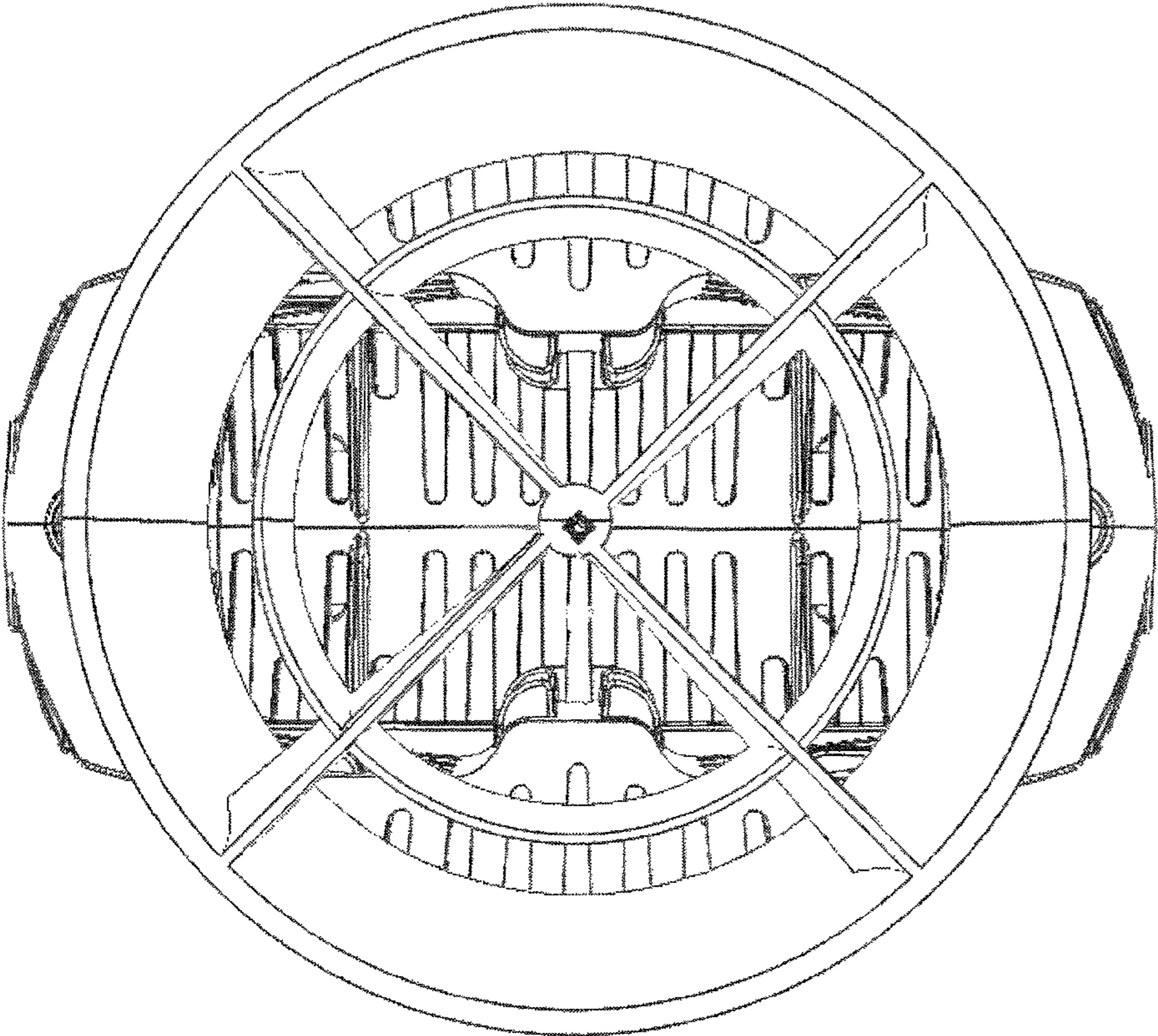


FIG. 1

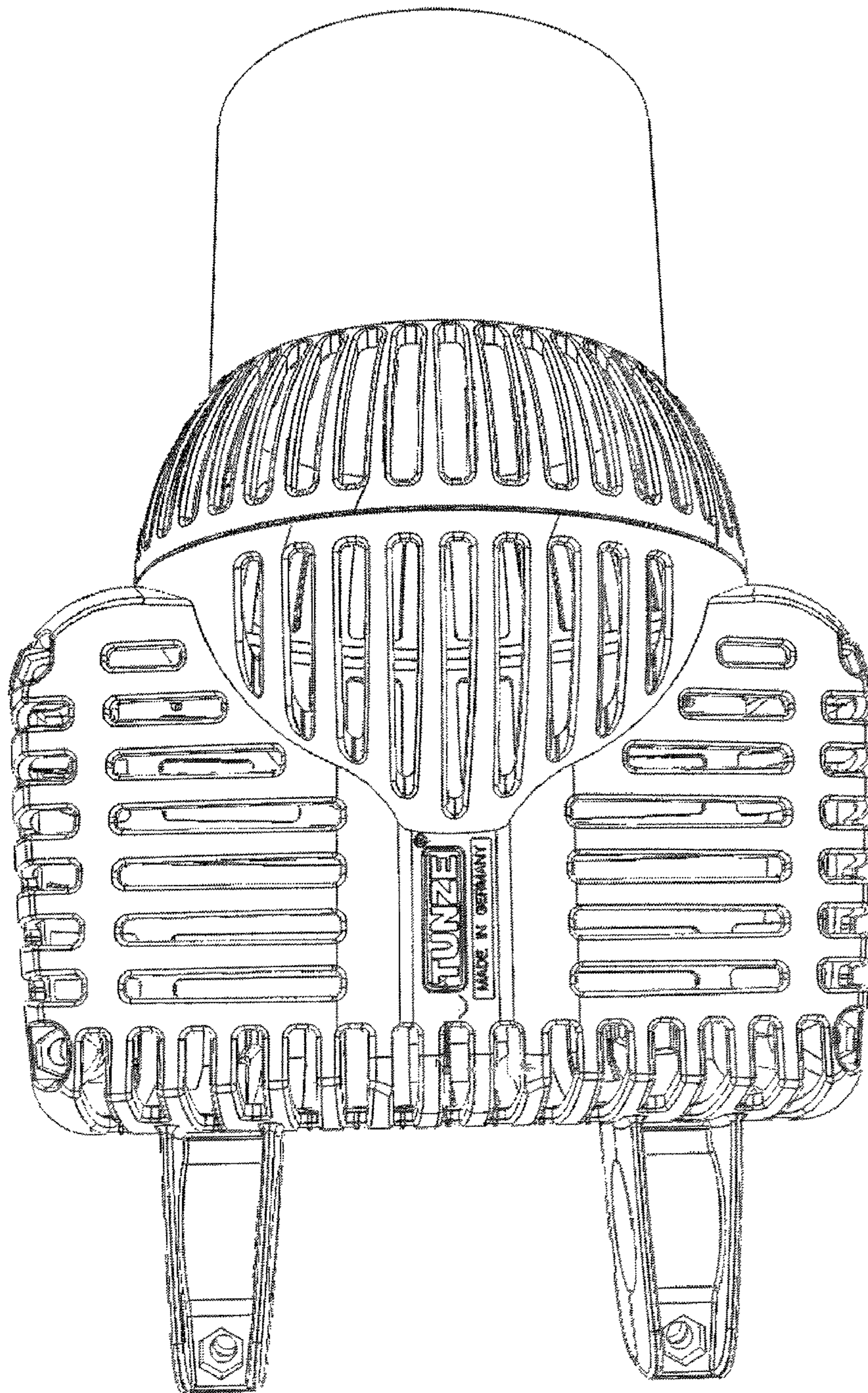


FIG. 2

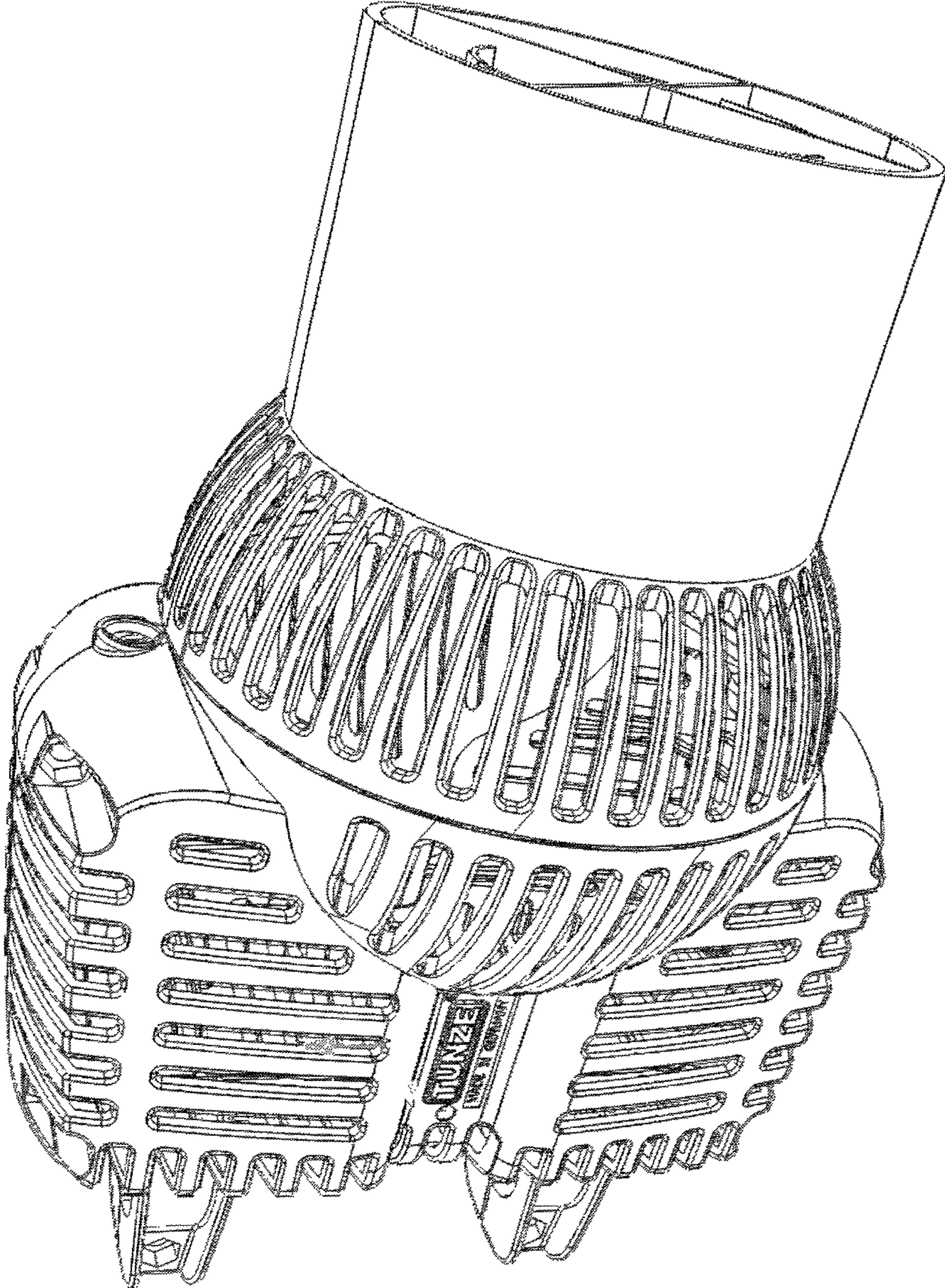


FIG. 3

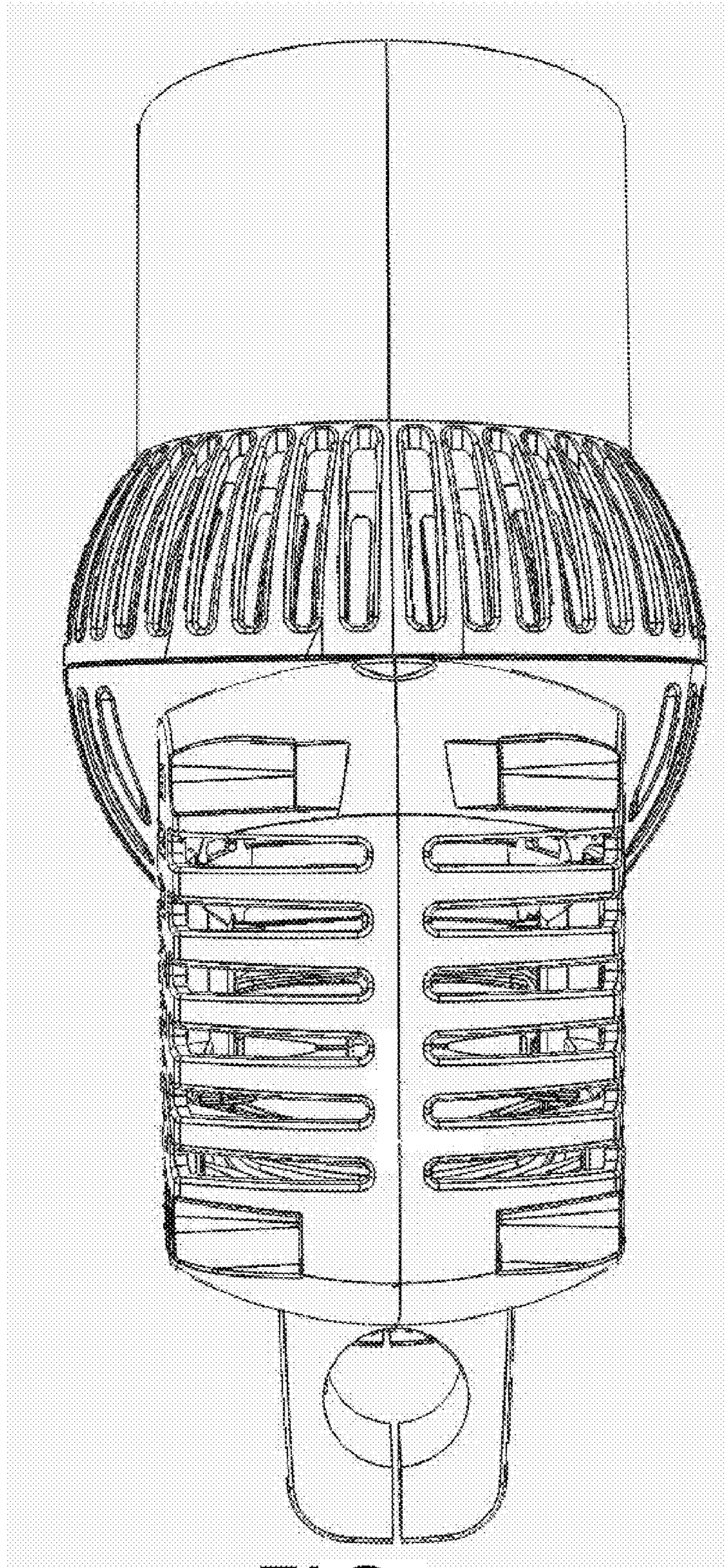


FIG. 4

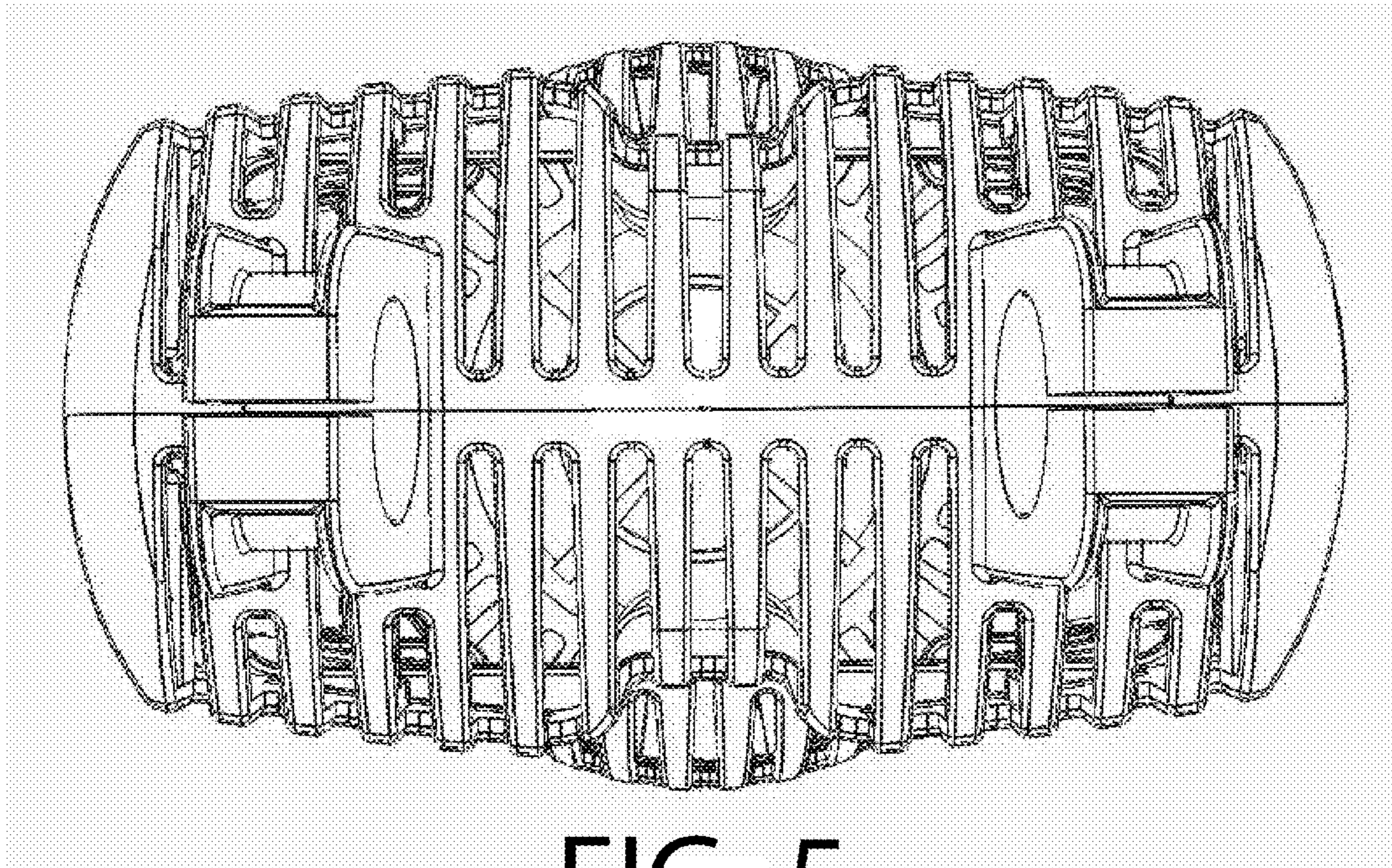


FIG. 5