



US00D634334S

(12) **United States Design Patent**  
**Lawson**

(10) **Patent No.:** **US D634,334 S**  
(45) **Date of Patent:** **\*\* Mar. 15, 2011**

(54) **MARINE PROPULSION UNIT**

(76) Inventor: **William Lawson**, Ormond Beach, FL  
(US)

(\*\*) Term: **14 Years**

(21) Appl. No.: **29/370,823**

(22) Filed: **Sep. 13, 2010**

(51) **LOC (9) Cl.** ..... **15-01**

(52) **U.S. Cl.** ..... **D15/4**

(58) **Field of Classification Search** ..... D15/1-5,  
D15/149; 123/195 P; 440/3-4, 88 R, 52;  
D12/317

See application file for complete search history.

(56) **References Cited**

**U.S. PATENT DOCUMENTS**

D153,705 S *	5/1949	Kiekhaefer	.....	D15/4
D159,814 S *	8/1950	Kiekhaefer	.....	D15/4
D200,366 S *	2/1965	Andersson-Sason	.....	D15/4
D463,800 S *	10/2002	Osumi	.....	D15/4
D474,480 S *	5/2003	Zebley et al.	.....	D15/4
D478,597 S *	8/2003	Zebley, Jr.	.....	D15/4
D489,380 S *	5/2004	Ohsumi et al.	.....	D15/4
6,796,859 B1 *	9/2004	Justen et al.	.....	440/88 A

D537,838 S *	3/2007	Iekura	.....	D15/4
D568,904 S *	5/2008	Osumi	.....	D15/4
D589,057 S *	3/2009	Azuma	.....	D15/4
D589,981 S *	4/2009	Iekura	.....	D15/4

\* cited by examiner

*Primary Examiner* — T. Chase Nelson

*Assistant Examiner* — Ania K Dworzecka

(74) *Attorney, Agent, or Firm* — William M. Hobby, III

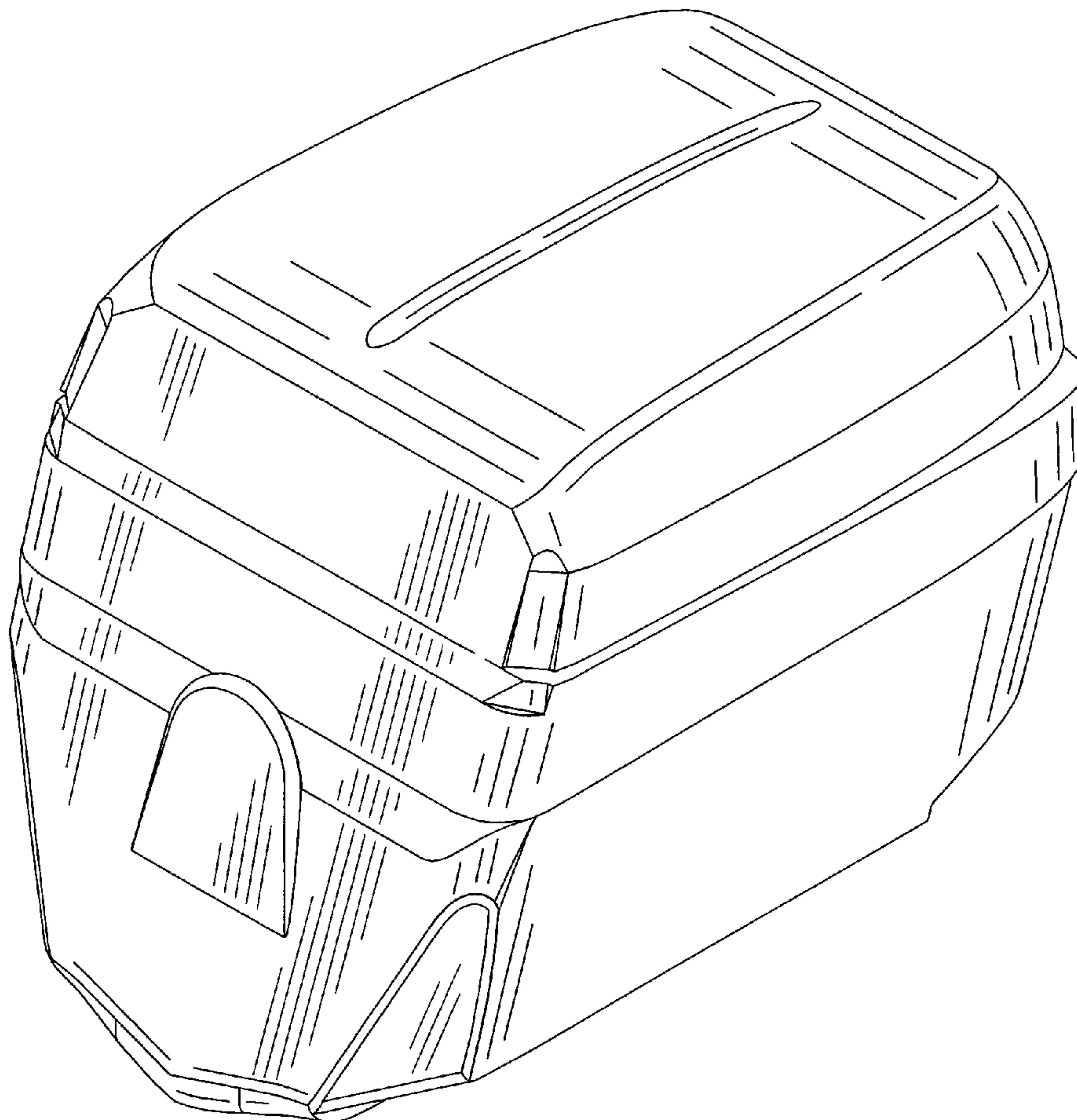
(57) **CLAIM**

The ornamental design for a marine propulsion unit, as shown and described.

**DESCRIPTION**

FIG. 1 is a front and right side perspective view of my new marine propulsion unit;  
FIG. 2 is a front elevation view thereof;  
FIG. 3 is a rear elevation view thereof;  
FIG. 4 is a left side elevation view thereof;  
FIG. 5 is a top plan view thereof;  
FIG. 6 is a bottom plan view thereof;  
FIG. 7 is a bottom and right side perspective view thereof;  
and,  
FIG. 8 is a bottom and left side perspective view thereof.

**1 Claim, 5 Drawing Sheets**



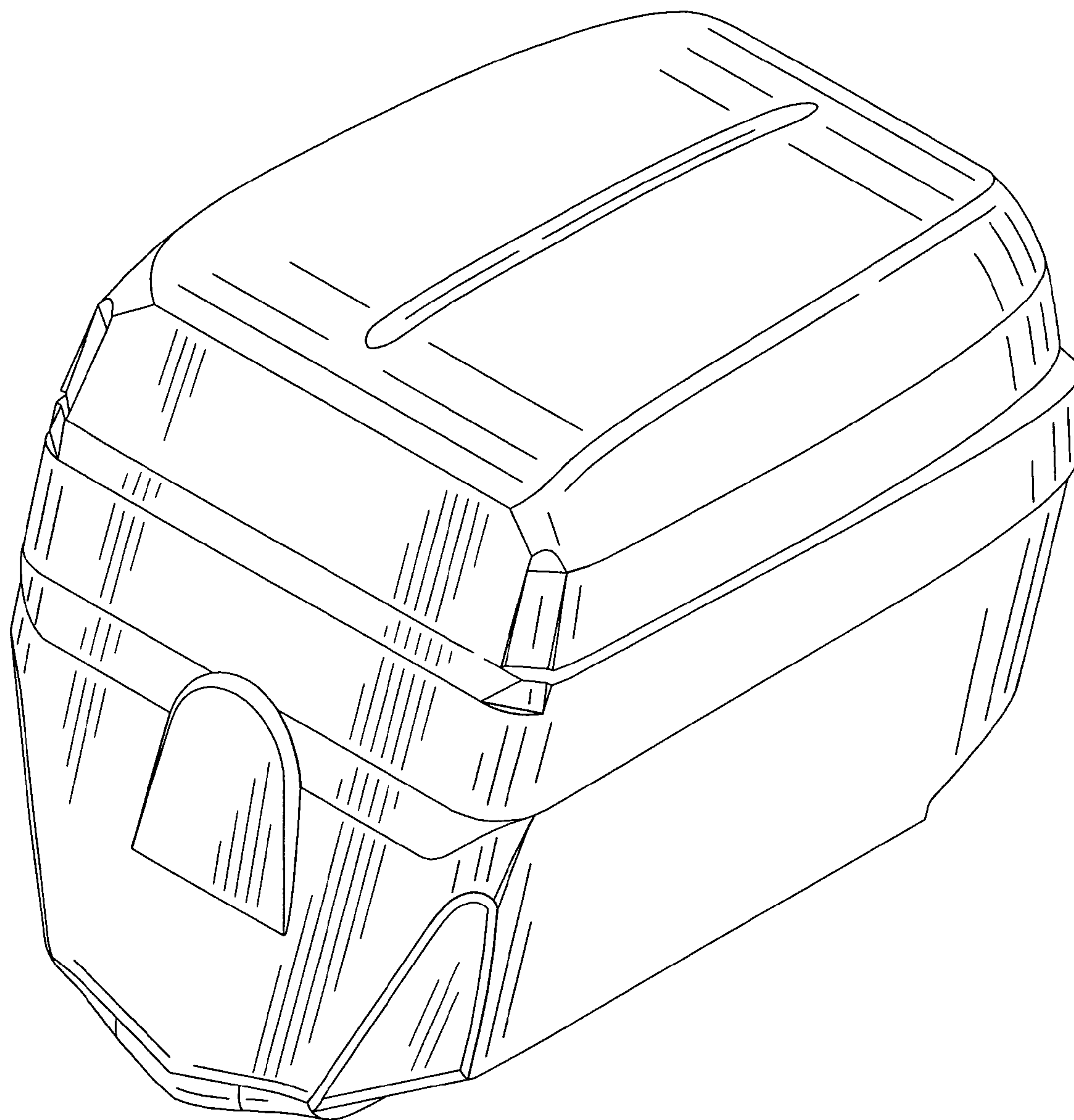


FIG. 1

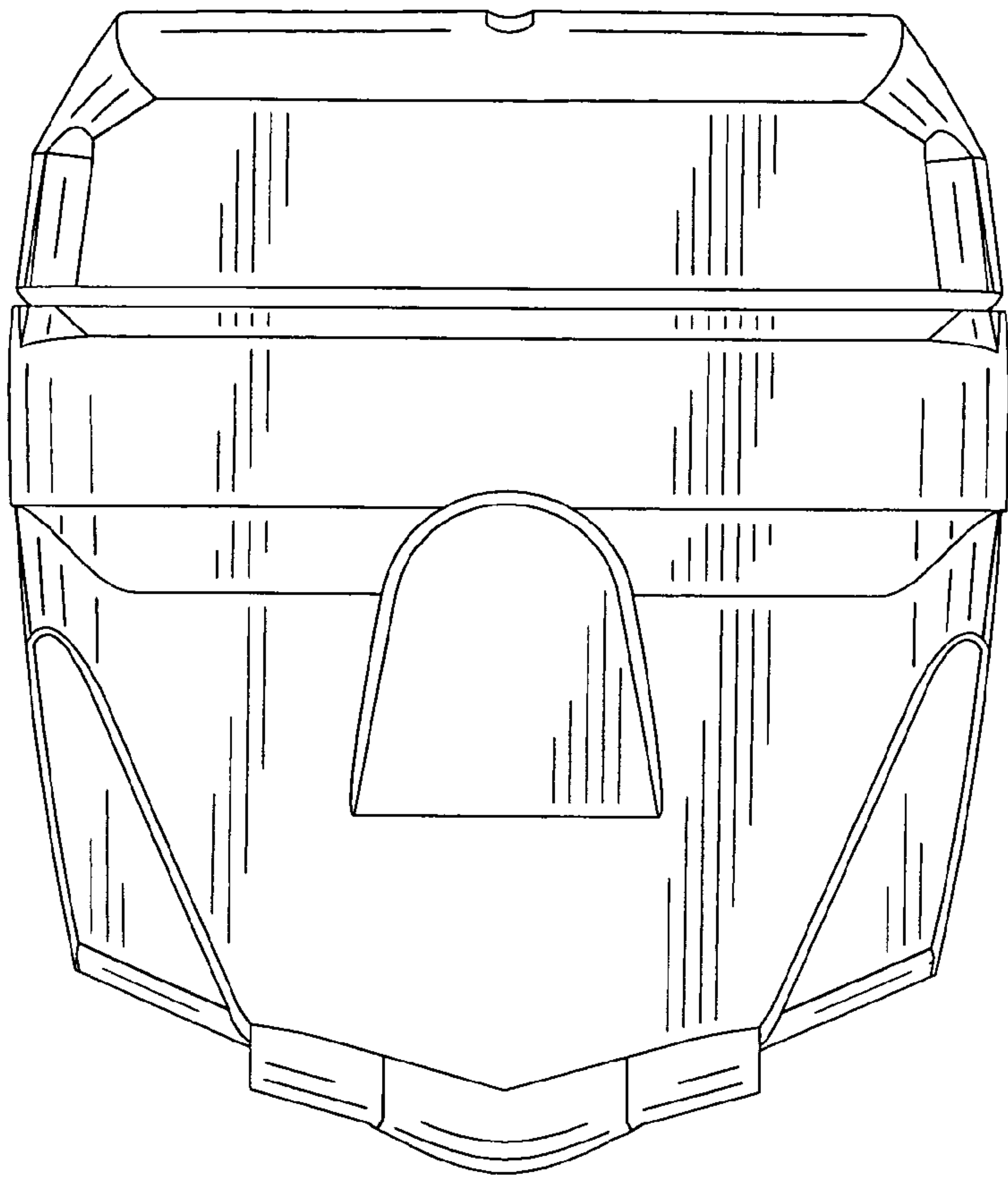


FIG. 2

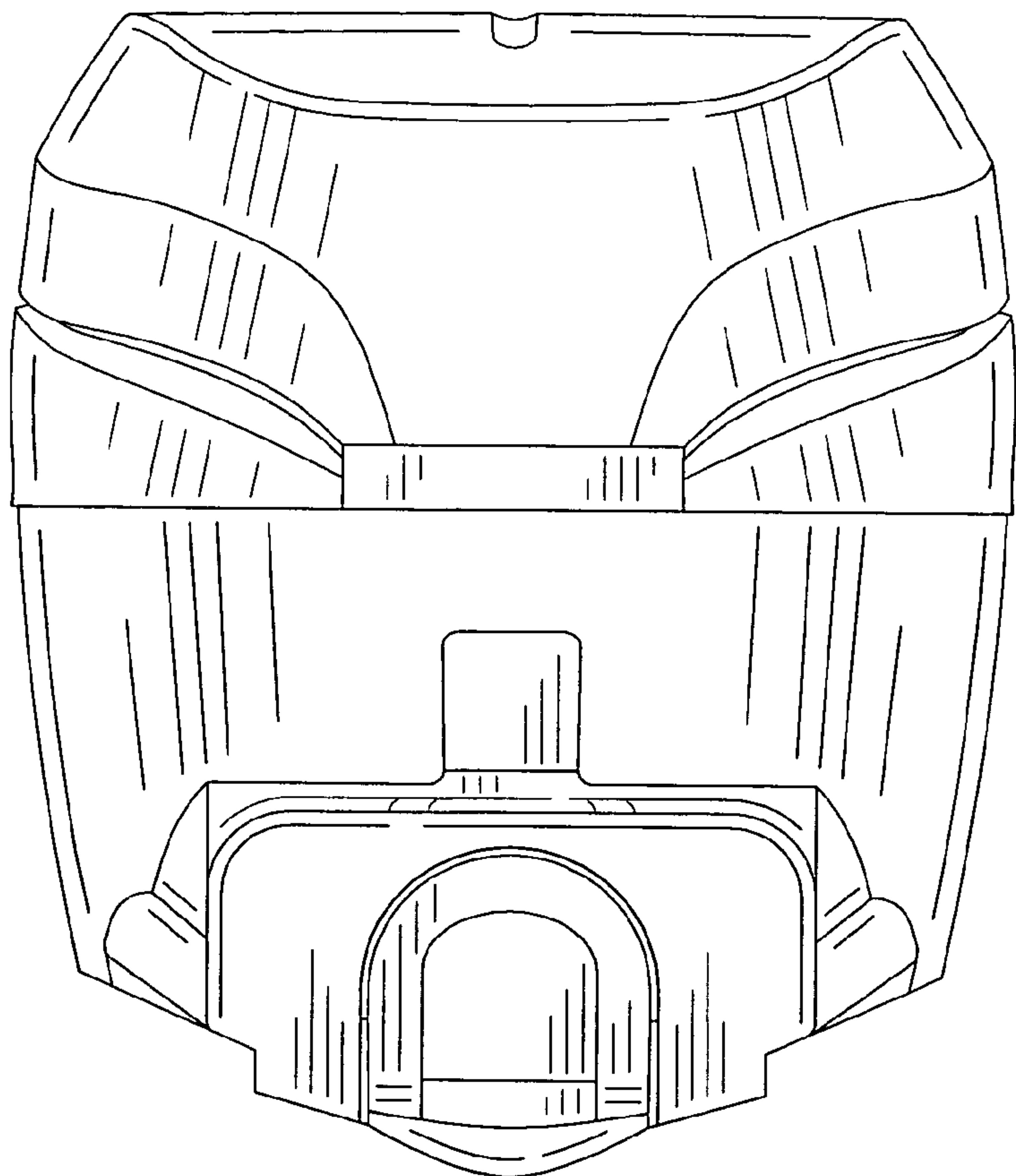


FIG. 3

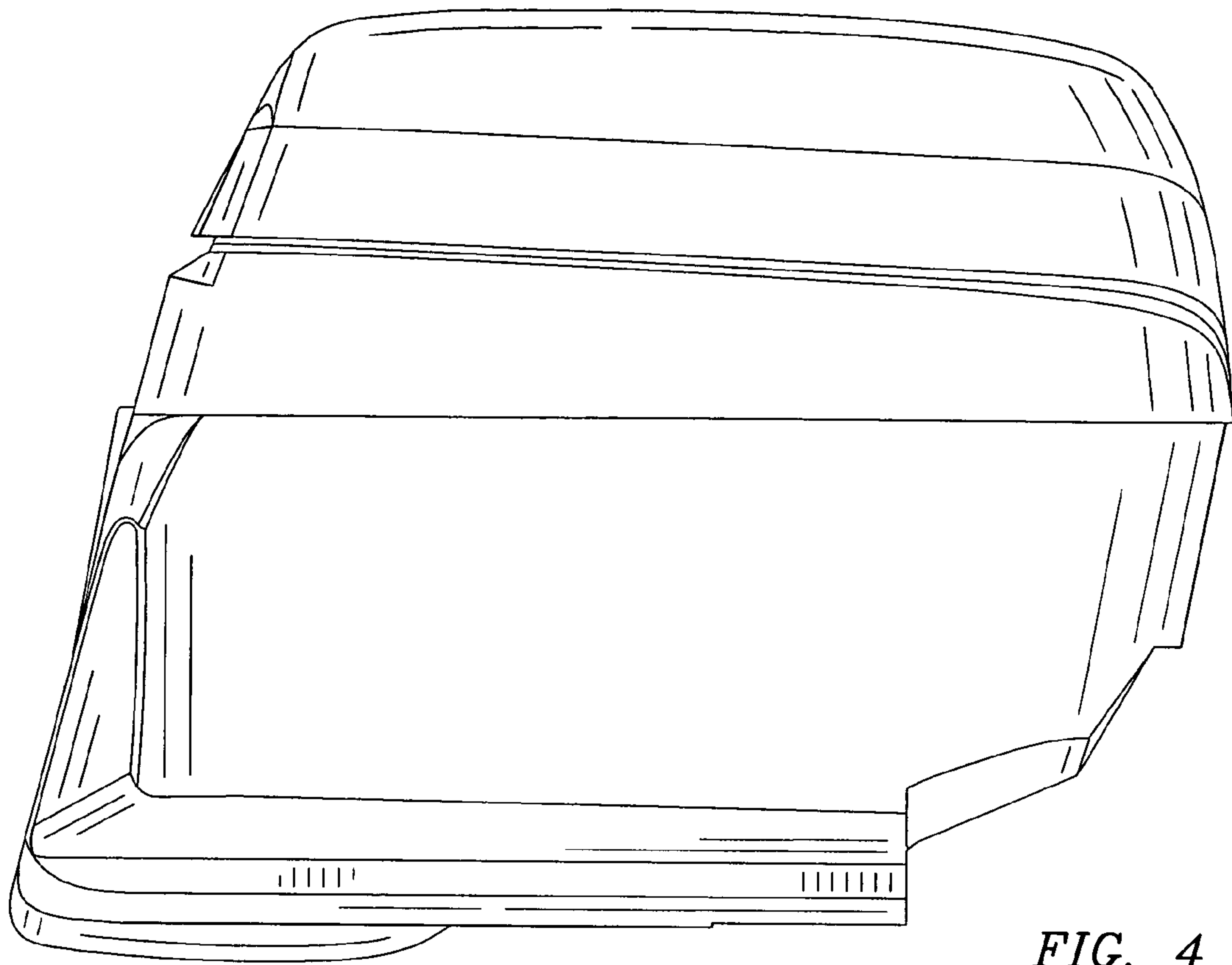


FIG. 4

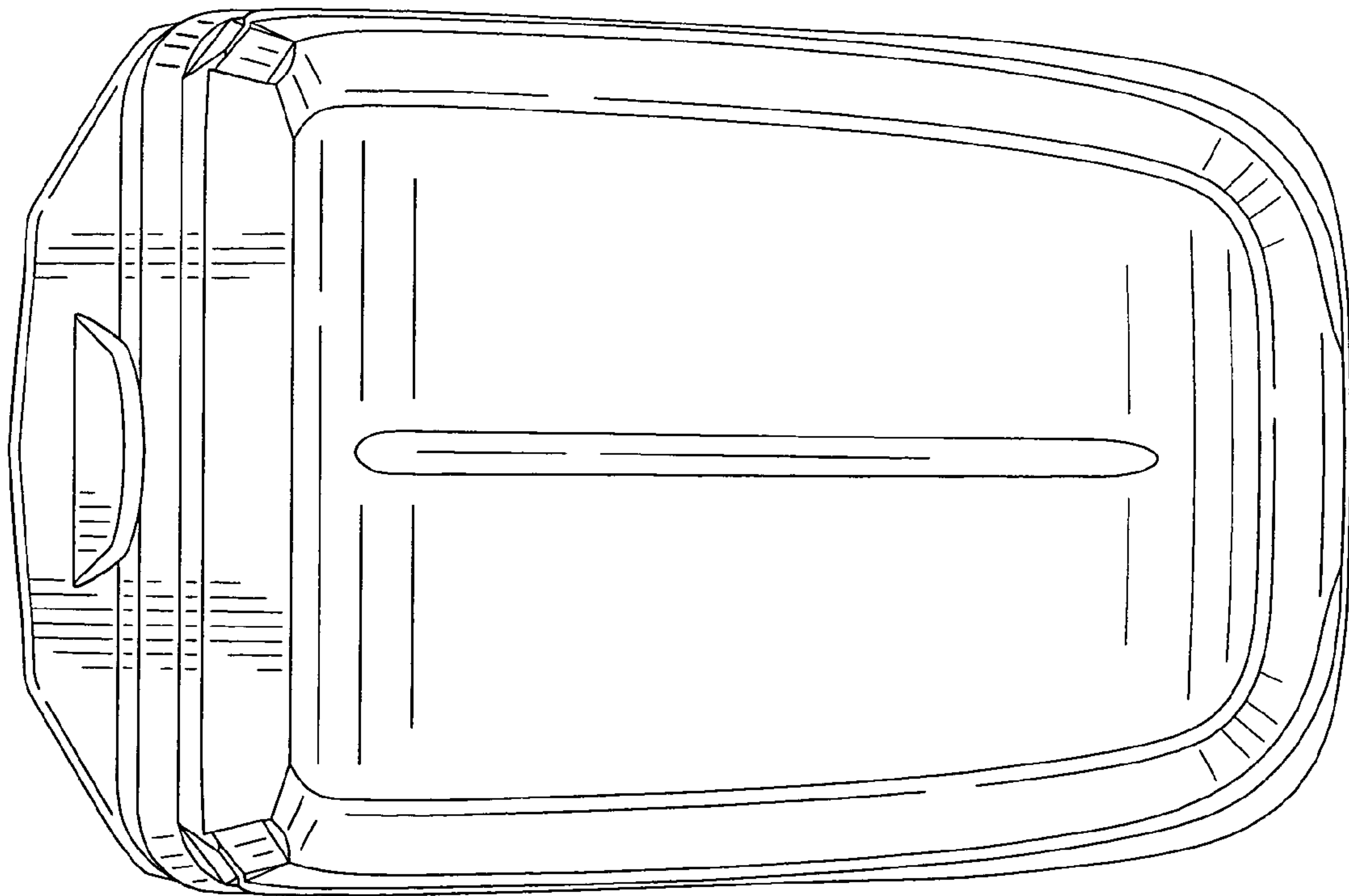


FIG. 5



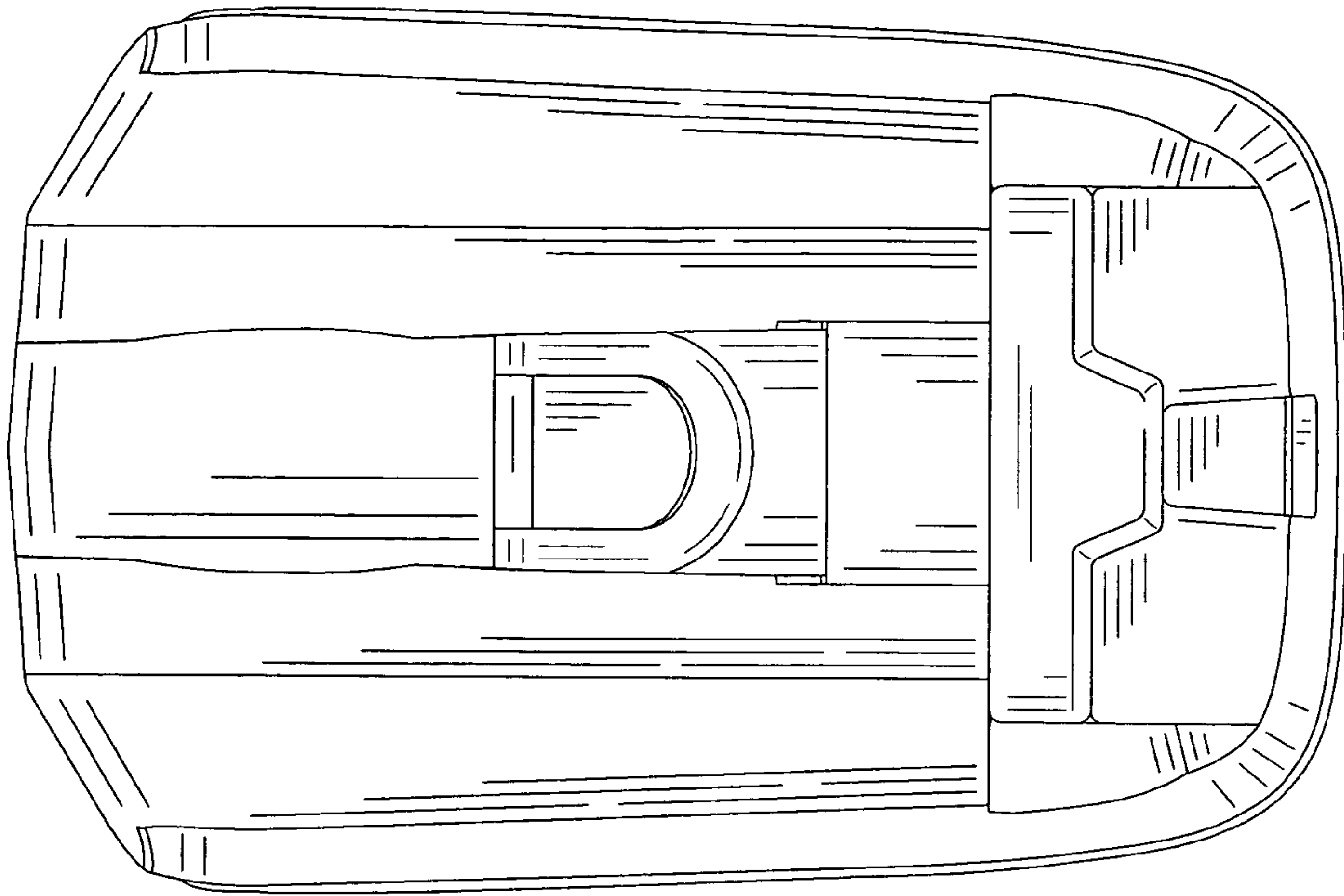


FIG. 6

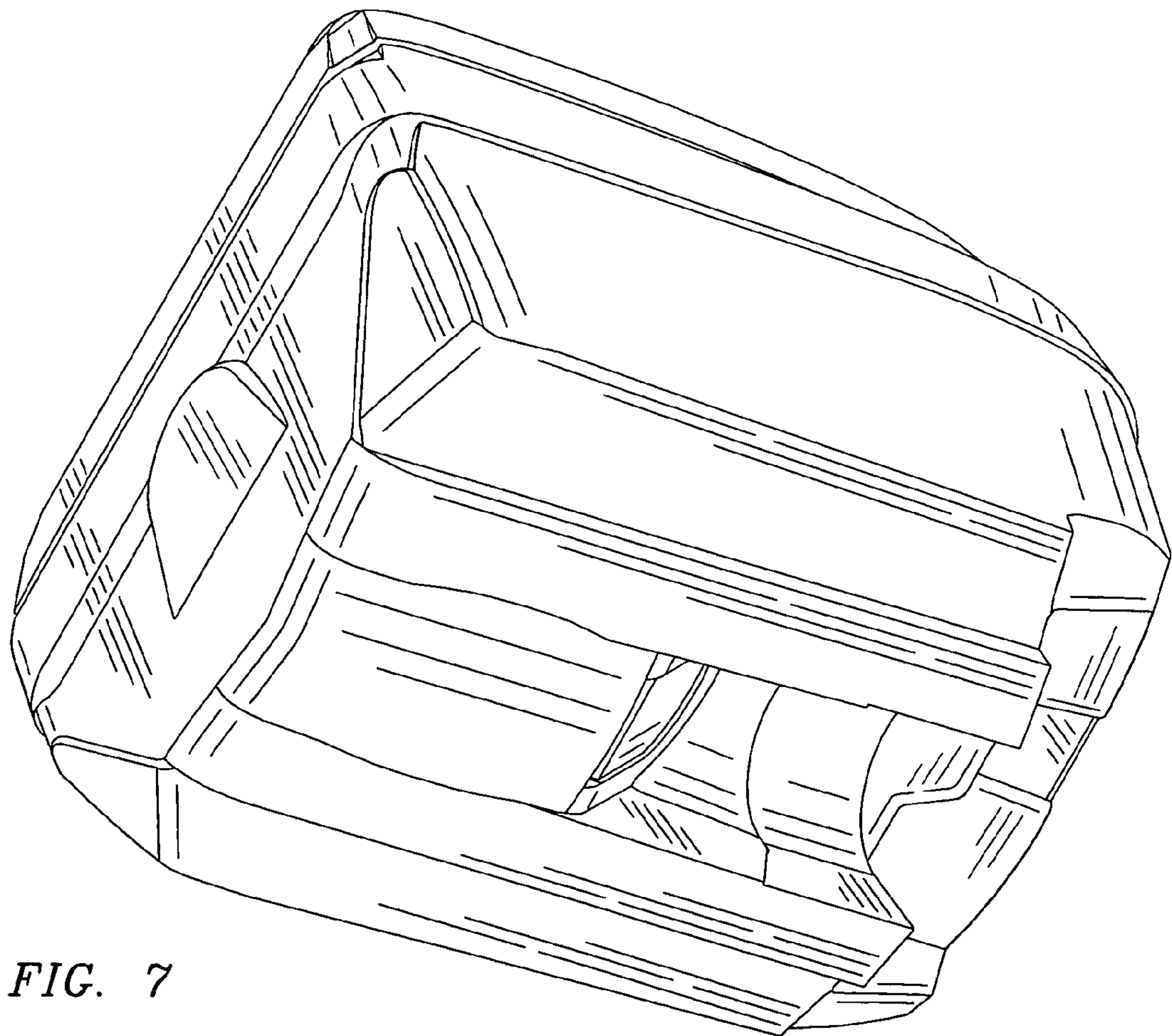


FIG. 7

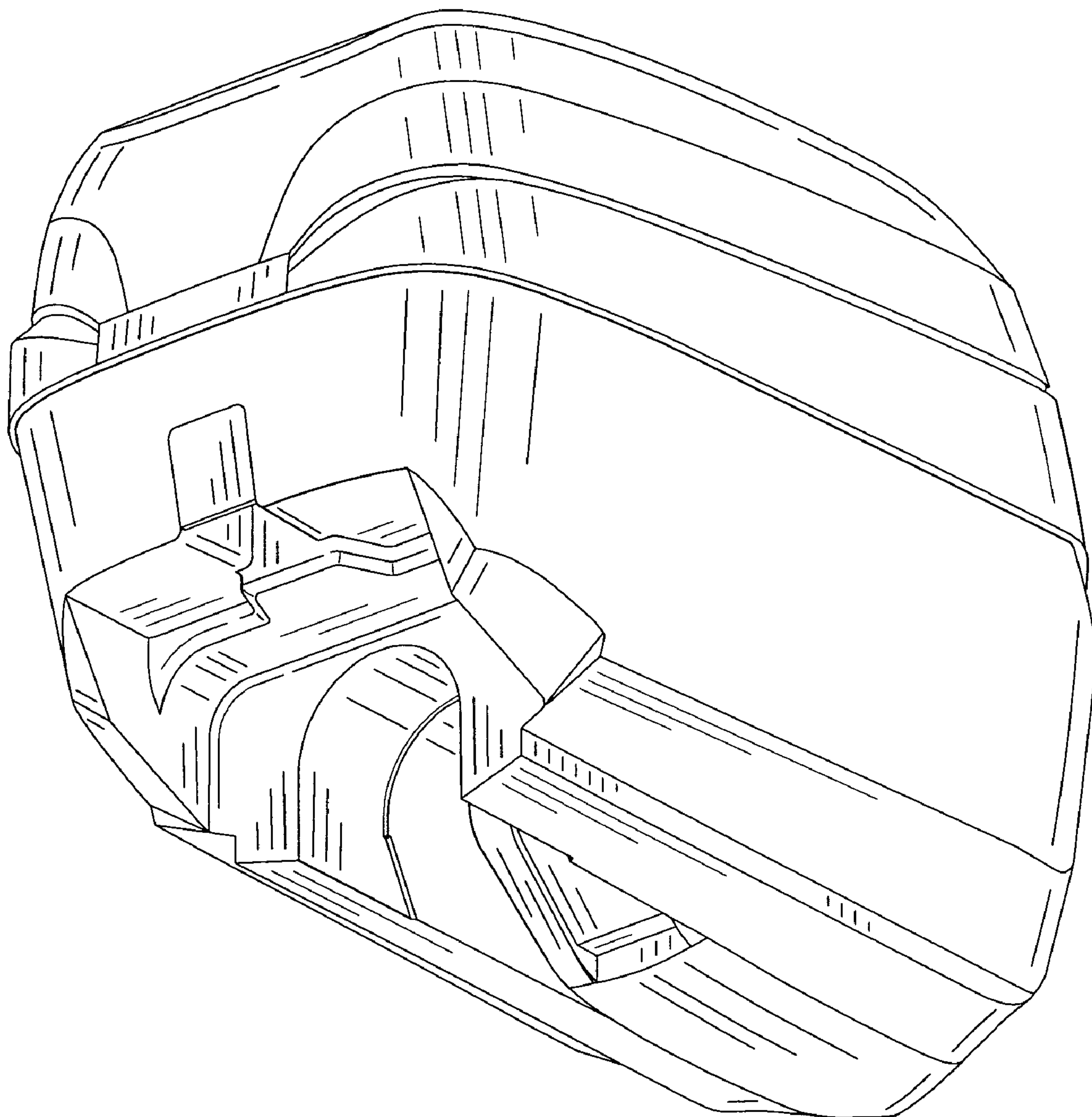


FIG. 8