



US00D634329S

(12) **United States Design Patent**
Wastrom

(10) **Patent No.:** **US D634,329 S**

(45) **Date of Patent:** **** *Mar. 15, 2011**

(54) **COMPUTER PLATFORM WITH FOREARM SUPPORT**

(76) Inventor: **Margareta Wastrom**, Stockholm (SE)

(*) Notice: This patent is subject to a terminal disclaimer.

(**) Term: **14 Years**

(21) Appl. No.: **29/285,269**

(22) Filed: **Mar. 26, 2007**

(30) **Foreign Application Priority Data**

Sep. 26, 2006 (SE) 2006/0511

(51) **LOC (9) Cl.** **14-02**

(52) **U.S. Cl.** **D14/457**

(58) **Field of Classification Search** D14/457,
D14/432, 447, 451, 459, 460, 461; D3/396,
D3/406.1, 406.3, 406.4, 406.5, 406.6; 248/118,
248/118.1, 118.3, 118.5, 715; 312/208.2
See application file for complete search history.

(56) **References Cited**

U.S. PATENT DOCUMENTS

5,072,905 A * 12/1991 Hyatt 248/118
5,240,210 A * 8/1993 Honto et al. 248/118.1
D343,083 S * 1/1994 Heiman D6/511
D356,009 S * 3/1995 Branch et al. D7/553.1
D386,571 S * 11/1997 Wilhelm D23/309

D408,649 S * 4/1999 Bucklitzsch et al. D6/406.1
D426,409 S * 6/2000 Clark et al. D6/511
D442,968 S * 5/2001 Udo et al. D14/461
D448,034 S * 9/2001 Betancourt D14/457
D451,519 S * 12/2001 Svanberg D14/457
D454,573 S * 3/2002 Richter D14/457
D455,024 S * 4/2002 Mimick et al. D6/406.3
D460,080 S * 7/2002 Richter D14/457
6,595,474 B2 * 7/2003 Nicholson 248/118
D481,395 S * 10/2003 Richter D14/457

* cited by examiner

Primary Examiner — Angela J Lee

(74) *Attorney, Agent, or Firm* — Capitol City TechLaw

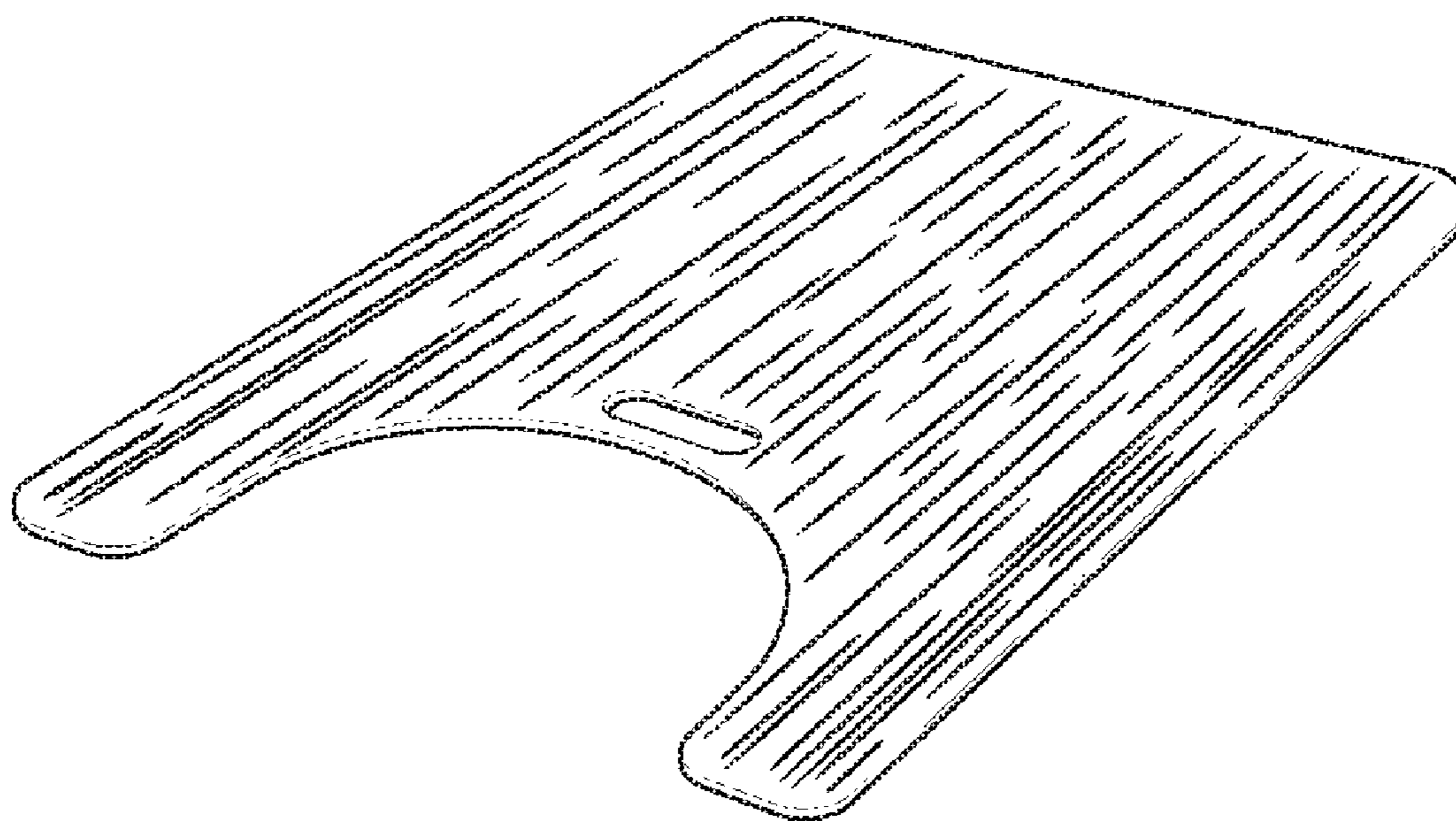
(57) **CLAIM**

The ornamental design for a computer platform with forearm support, as shown.

DESCRIPTION

FIG. 1 is a front perspective view from the top of the computer platform with forearm support showing my new design; FIG. 2 is a rear perspective view from the bottom thereof; FIG. 3 is a front view thereof; FIG. 4 is a top plan view thereof; FIG. 5 is a rear view thereof; FIG. 6 is a left side view thereof; FIG. 7 is a bottom plan view thereof; and, FIG. 8 is a right side view thereof.

1 Claim, 1 Drawing Sheet



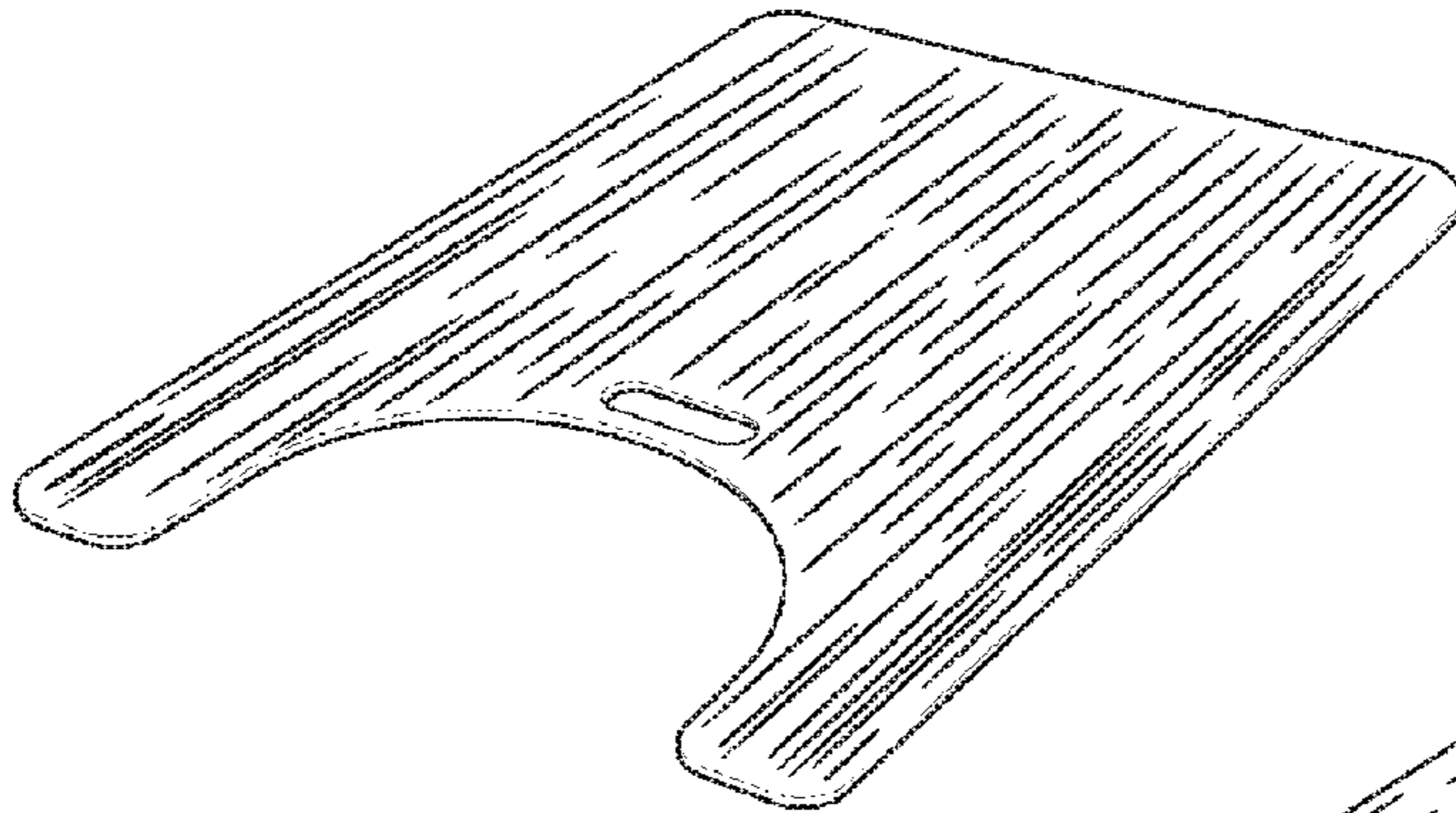


Fig. 1

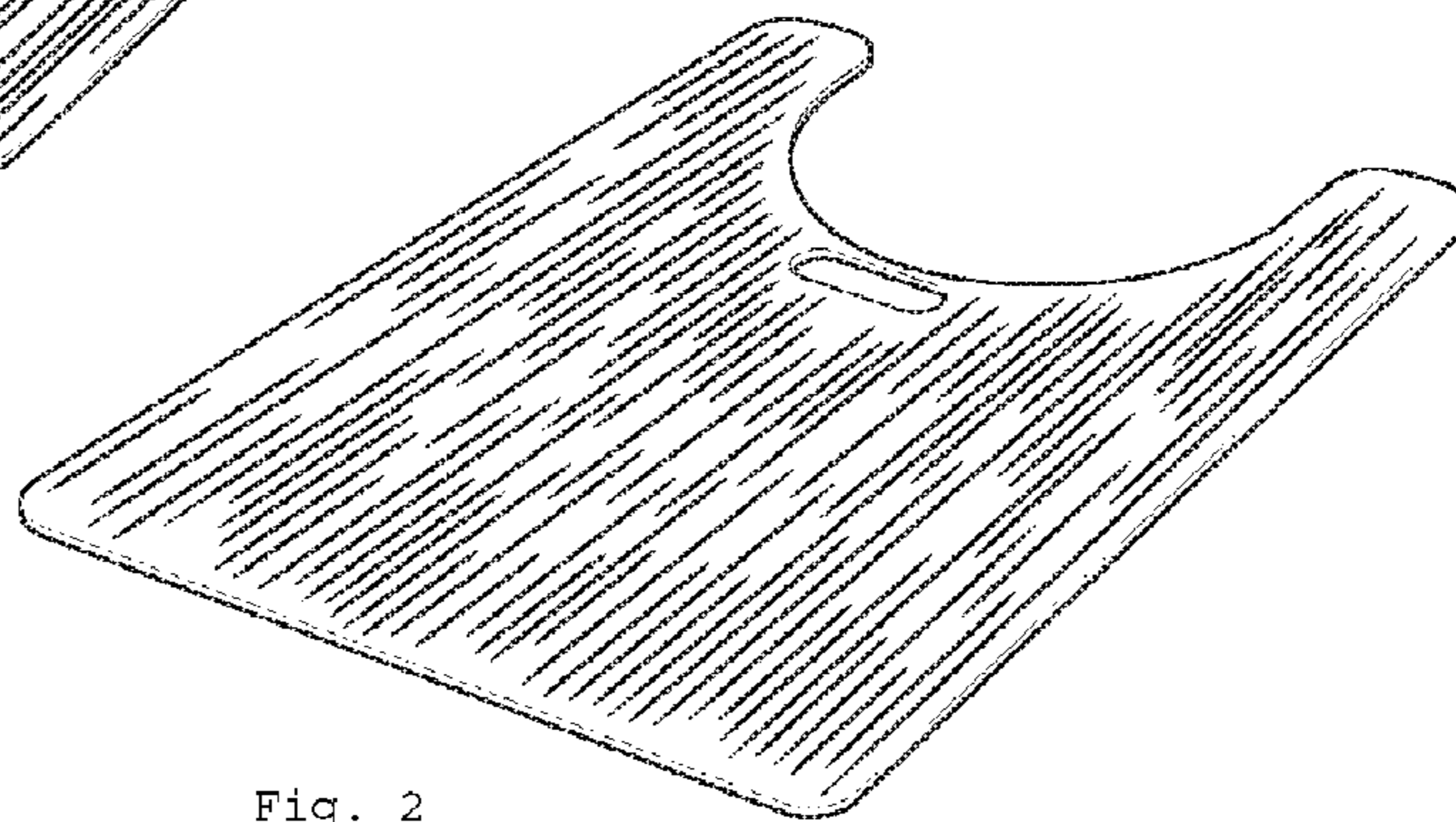


Fig. 2

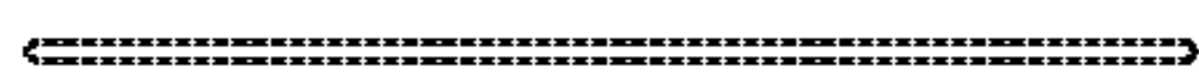


Fig. 3

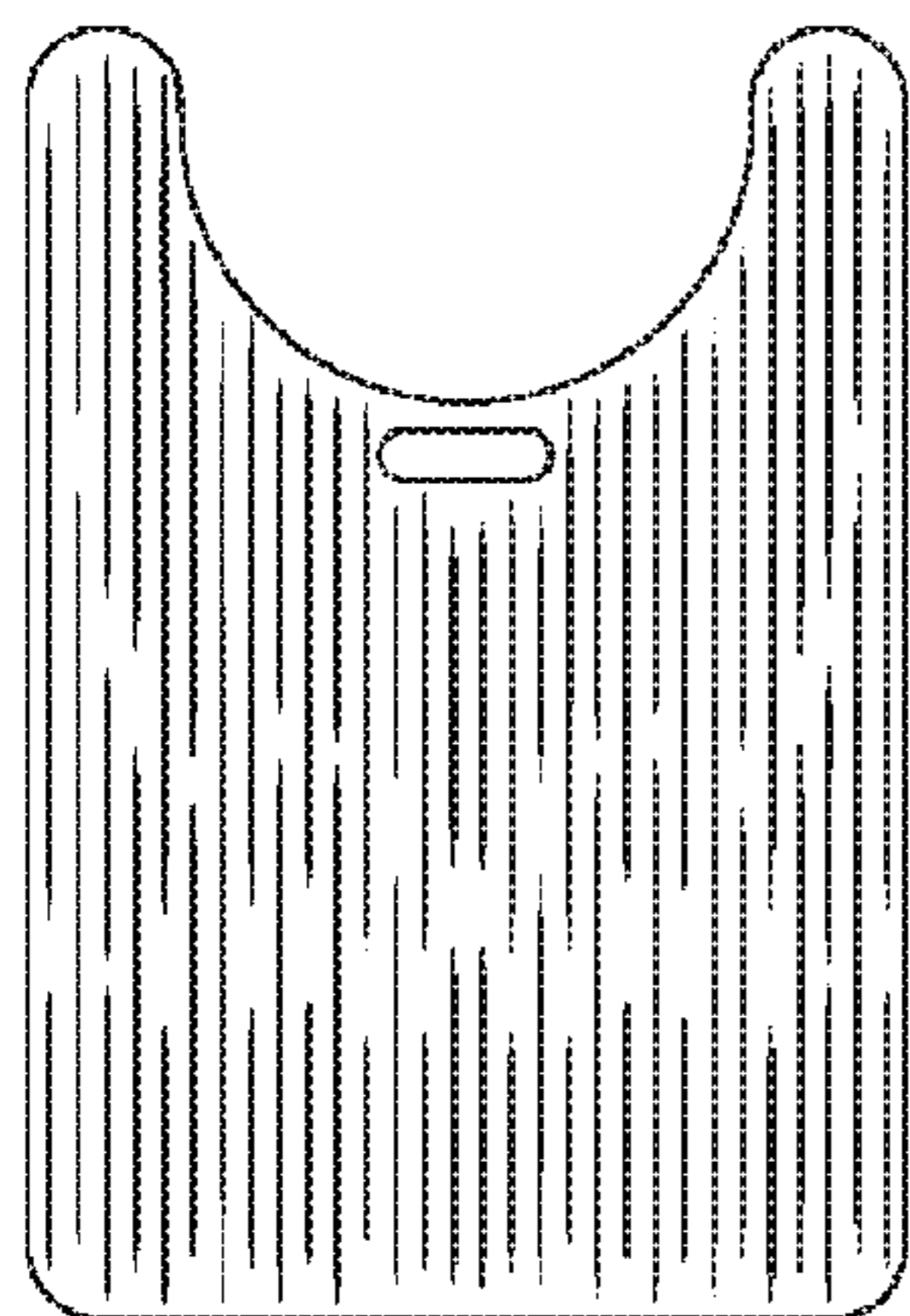


Fig. 4



Fig. 6

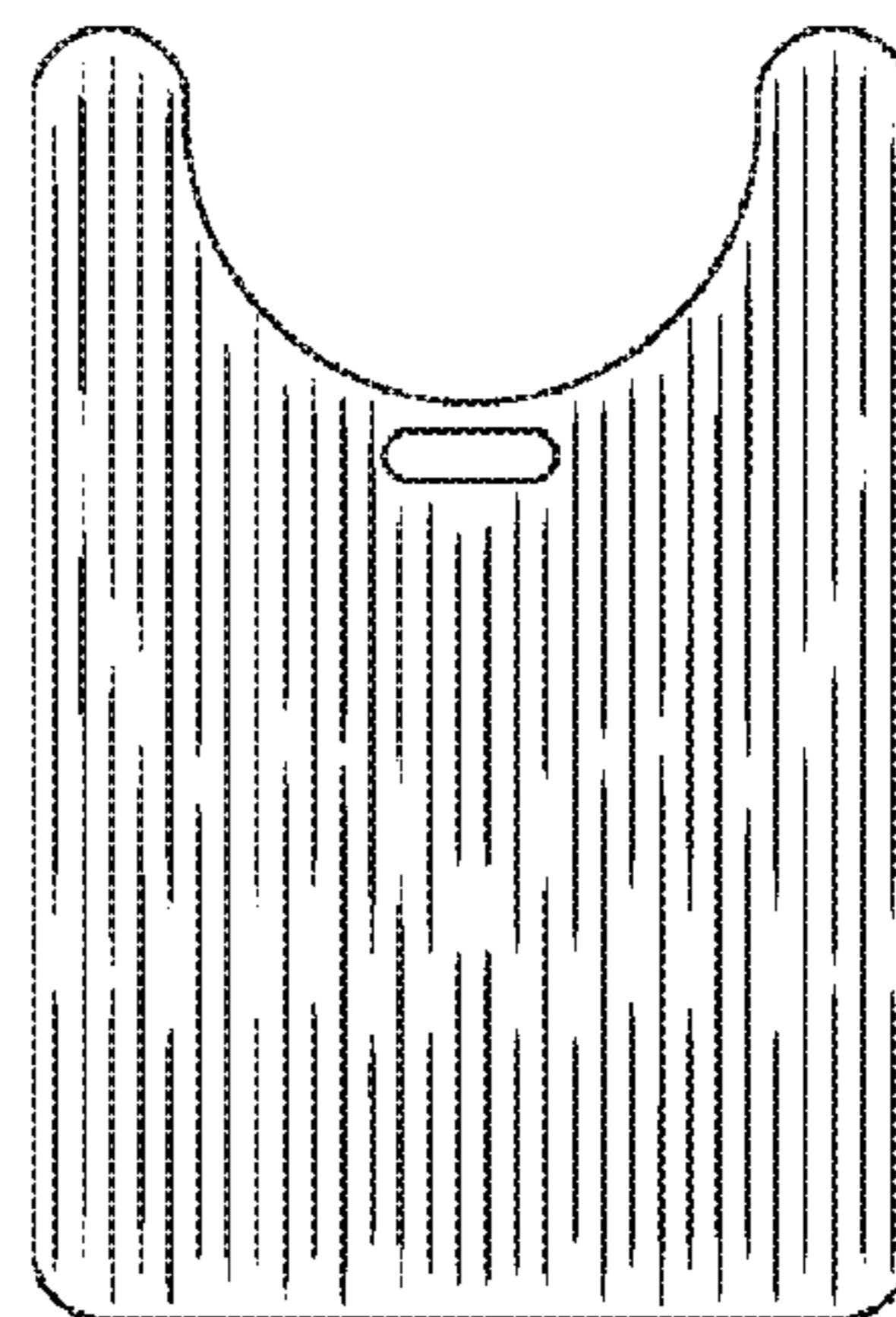


Fig. 7



Fig. 8

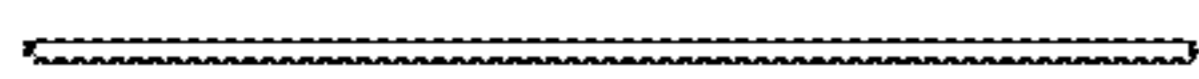


Fig. 5