



US00D634328S

(12) **United States Design Patent**
Grey et al.

(10) **Patent No.:** **US D634,328 S**

(45) **Date of Patent:** **** *Mar. 15, 2011**

- (54) **DISPLAY MOUNT WITH DUAL ARTICULATING ARMS**
- (75) Inventors: **Dominic Grey**, Blaine, MN (US); **Scott Russell**, Woodbury, MN (US)
- (73) Assignee: **Milestone AV Technologies LLC**, Savage, MN (US)

- 5,713,549 A 2/1998 Shieh
- 5,715,138 A 2/1998 Choi
- 5,743,503 A 4/1998 Voeller et al.
- 5,772,174 A 6/1998 Hirsch et al.
- 5,842,672 A 12/1998 Sweere et al.
- 5,854,735 A 12/1998 Cheng
- 5,924,665 A 7/1999 Sweere et al.
- 5,941,493 A 8/1999 Cheng
- 5,995,179 A 11/1999 Tamura et al.

(Continued)

(**) Term: **14 Years**

(21) Appl. No.: **29/330,463**

(22) Filed: **Jan. 7, 2009**

(51) **LOC (9) Cl.** **08-07**

(52) **U.S. Cl.** **D14/452**

(58) **Field of Classification Search** D14/451, D14/452, 447, 448, 457, 239, 251, 253, 224, D14/224.1, 432, 439; D8/354, 363, 373, D8/380; D6/449, 512; D10/74; D12/415; 248/917, 918, 919, 920, 921, 922, 923, 924, 248/675, 122.1, 176.1, 176.3, 324, 222.51, 248/222.52, 223.31, 229.1, 229.15, 230.6, 248/230.7, 276.1, 281.11, 371; 361/679.06, 361/679.07, 679.21, 679.22, 825, 679.55, 361/679.56

See application file for complete search history.

(56) **References Cited**

U.S. PATENT DOCUMENTS

- 2,828,098 A 3/1958 Lehmann
- 3,574,340 A 4/1971 Busche
- 4,527,766 A 7/1985 Krenz
- 4,627,210 A 12/1986 Beaulieu
- 4,814,759 A 3/1989 Gombrich et al.
- 4,893,777 A 1/1990 Gassaway
- 4,960,256 A 10/1990 Chihara et al.
- 5,080,311 A 1/1992 Engstrom
- 5,165,644 A 11/1992 Allen
- 5,322,255 A 6/1994 Garrett
- 5,537,290 A 7/1996 Brown et al.
- 5,553,820 A 9/1996 Karten et al.

OTHER PUBLICATIONS

Chief Manufacturing; Full Line Product Guide 2004; Jan. 2004; 68 pages; Savage, Minnesota.

Primary Examiner — Angela J Lee

(74) *Attorney, Agent, or Firm* — Patterson Thunte Christensen Pedersen, P.A.

(57) **CLAIM**

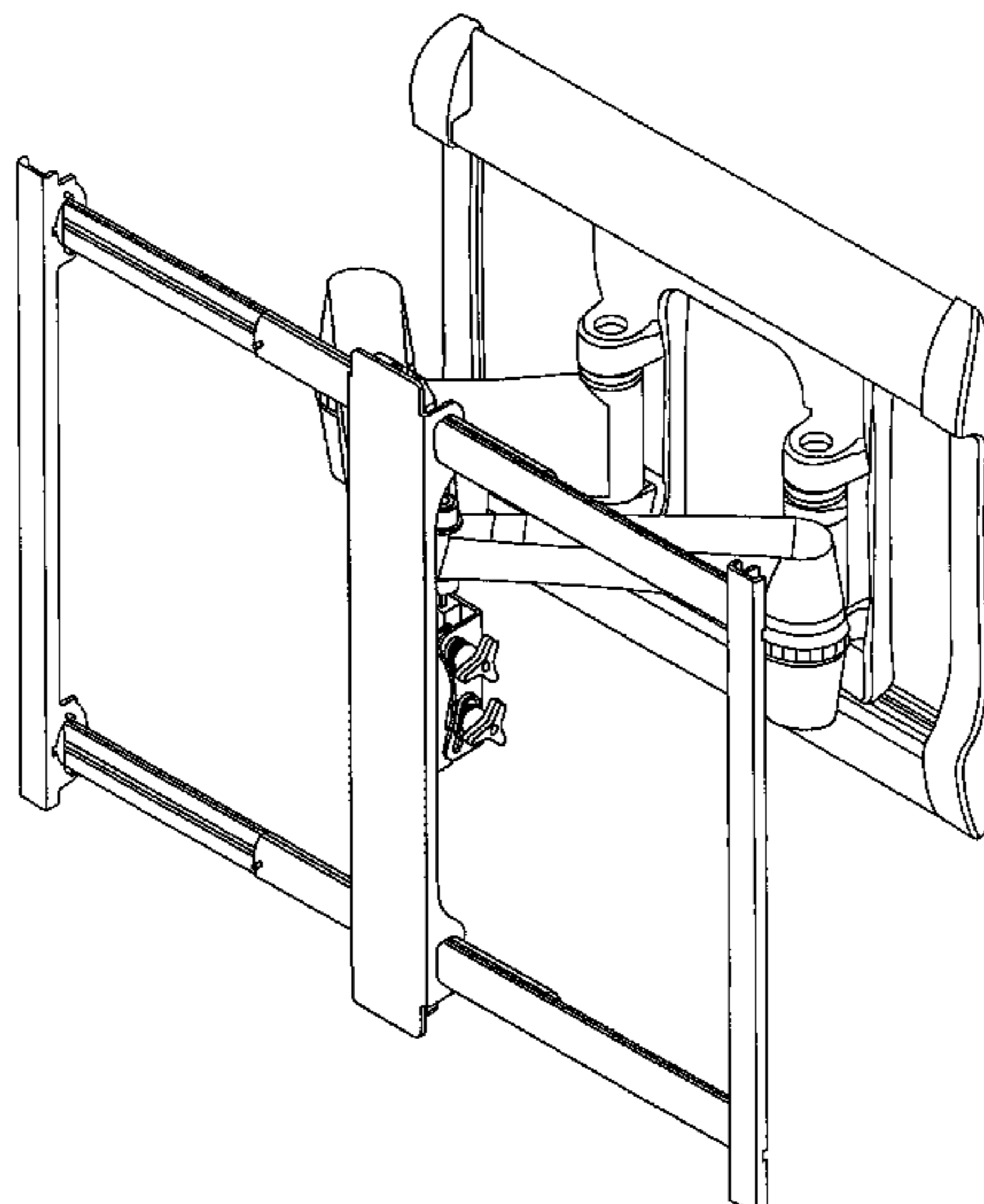
The ornamental design for a display mount with dual articulating arms, as shown and described.

DESCRIPTION

FIG. 1 is a front perspective view of a display mount with dual articulating arms according to the invention; FIG. 2 is a front elevation view of the display mount with dual articulating arms depicted in FIG. 1; FIG. 3 is a side elevation view of the display mount with dual articulating arms depicted in FIG. 1; FIG. 4 is an opposing side elevation view of the display mount with dual articulating arms depicted in FIG. 1; FIG. 5 is a top plan view of the display mount with dual articulating arms depicted in FIG. 1; and, FIG. 6 is a bottom plan view of the display mount with dual articulating arms depicted in FIG. 1.

The rear elevation of the depicted mount is not claimed, and hence is not depicted. The portions of the display mount with dual articulating arms shown in broken lines form no part of the claimed design.

1 Claim, 4 Drawing Sheets



US D634,328 S

Page 2

U.S. PATENT DOCUMENTS

6,019,332	A	2/2000	Sweere et al.	6,594,143	B2	7/2003	Yano et al.
6,021,720	A	2/2000	Boos et al.	6,604,722	B1	8/2003	Tan
6,045,103	A	4/2000	Costa et al.	6,752,363	B2	6/2004	Boele
6,098,952	A	8/2000	Tonn	6,783,105	B2	8/2004	Oddsens, Jr.
6,102,348	A	8/2000	O'Neill	6,796,540	B1	9/2004	Manceor
6,189,850	B1	2/2001	Liao et al.	6,886,701	B2	5/2005	Hong et al.
6,340,146	B1	1/2002	Tzeng	6,905,101	B1	6/2005	Dittmer
6,347,776	B1	2/2002	Chuang	7,048,242	B2	5/2006	Oddsens, Jr. et al.
6,354,549	B2	3/2002	Sweere et al.	7,100,880	B2	9/2006	Oddsens, Jr. et al.
6,361,012	B1	3/2002	Chang	7,178,774	B2 *	2/2007	Kim 248/279.1
6,378,830	B1	4/2002	Lu	D540,332	S	4/2007	Dittmer et al.
6,394,403	B1	5/2002	Hung	D558,564	S *	1/2008	Ciungan D8/363
6,402,109	B1	6/2002	Dittmer	7,395,996	B2 *	7/2008	Dittmer 248/291.1
6,416,027	B1	7/2002	Hart	7,398,950	B2	7/2008	Hung
6,418,010	B1	7/2002	Sawyer	D580,742	S *	11/2008	Short D8/363
6,453,409	B1	9/2002	Nakamura	D580,743	S *	11/2008	Short D8/363
6,478,275	B1	11/2002	Huang	7,448,584	B2 *	11/2008	Chen et al. 248/278.1
6,484,987	B2	11/2002	Weaver	7,487,943	B1 *	2/2009	Gillespie 248/282.1
6,494,429	B2	12/2002	Tajima	D593,080	S *	5/2009	Russell et al. D14/239
6,543,734	B2	4/2003	Yeh	2004/0178312	A1	9/2004	Parsons
6,554,242	B2	4/2003	Kim	2005/0127253	A1 *	6/2005	Kim 248/176.1
6,559,829	B1	5/2003	Matsuo et al.	2006/0284037	A1 *	12/2006	Dittmer et al. 248/285.1
6,560,094	B2	5/2003	Schmidt	2007/0221807	A1 *	9/2007	Park 248/324
6,575,419	B1	6/2003	Masuda et al.	2008/0006751	A1 *	1/2008	Chen et al. 248/278.1
6,585,203	B1	7/2003	Euker	2009/0020673	A1 *	1/2009	Dittmer 248/281.11
6,592,090	B1	7/2003	Li				

* cited by examiner

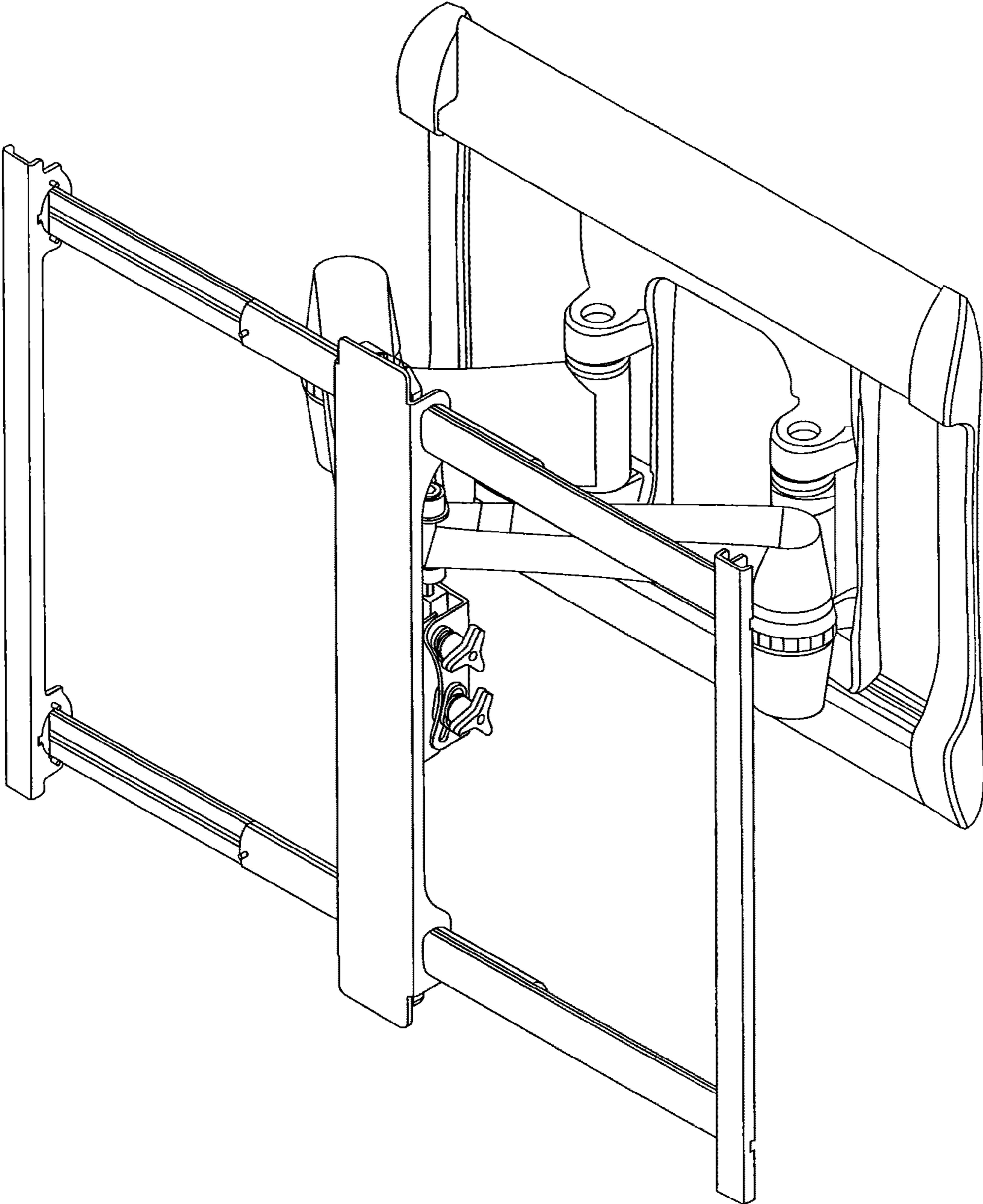


Fig. 1

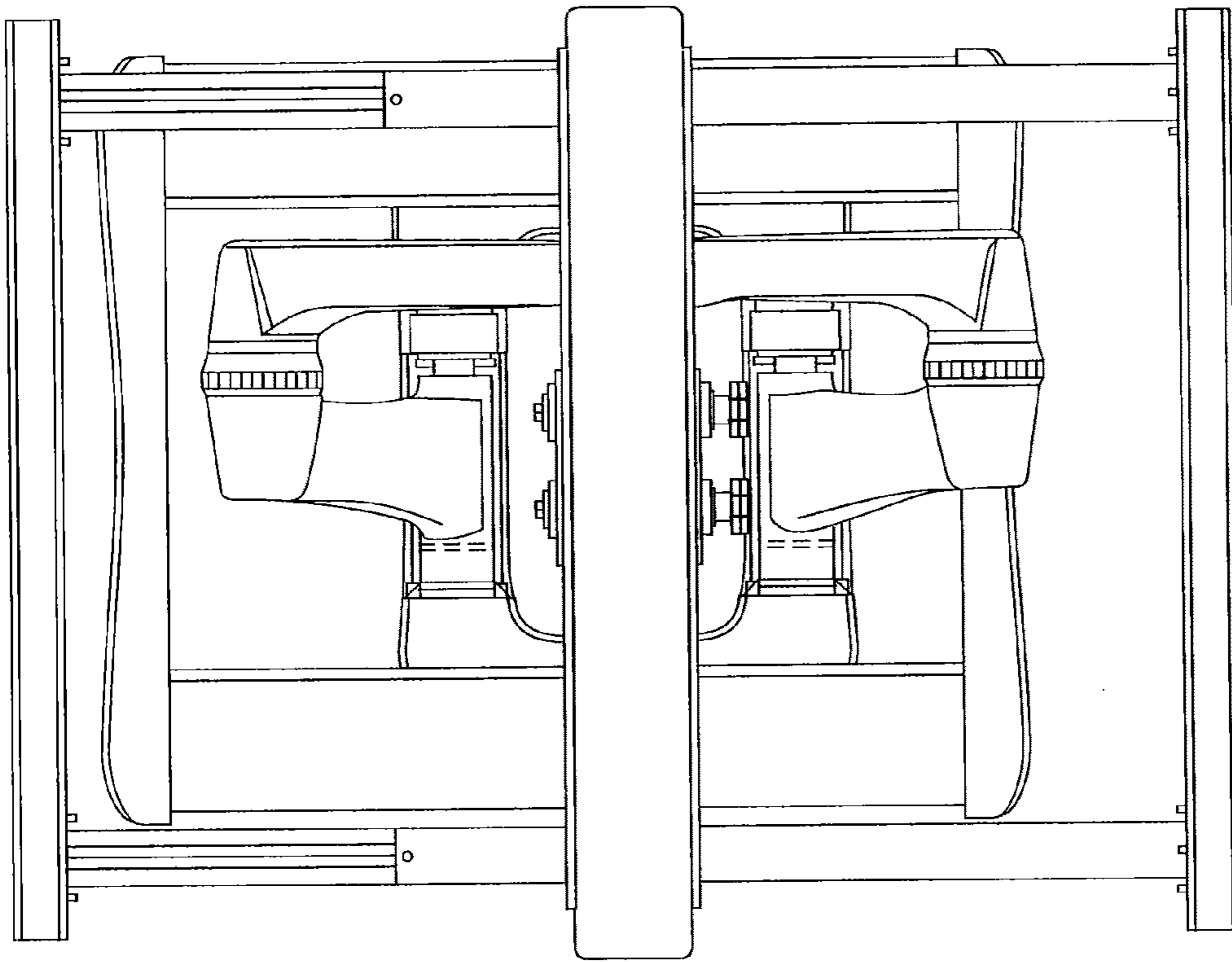


Fig. 2

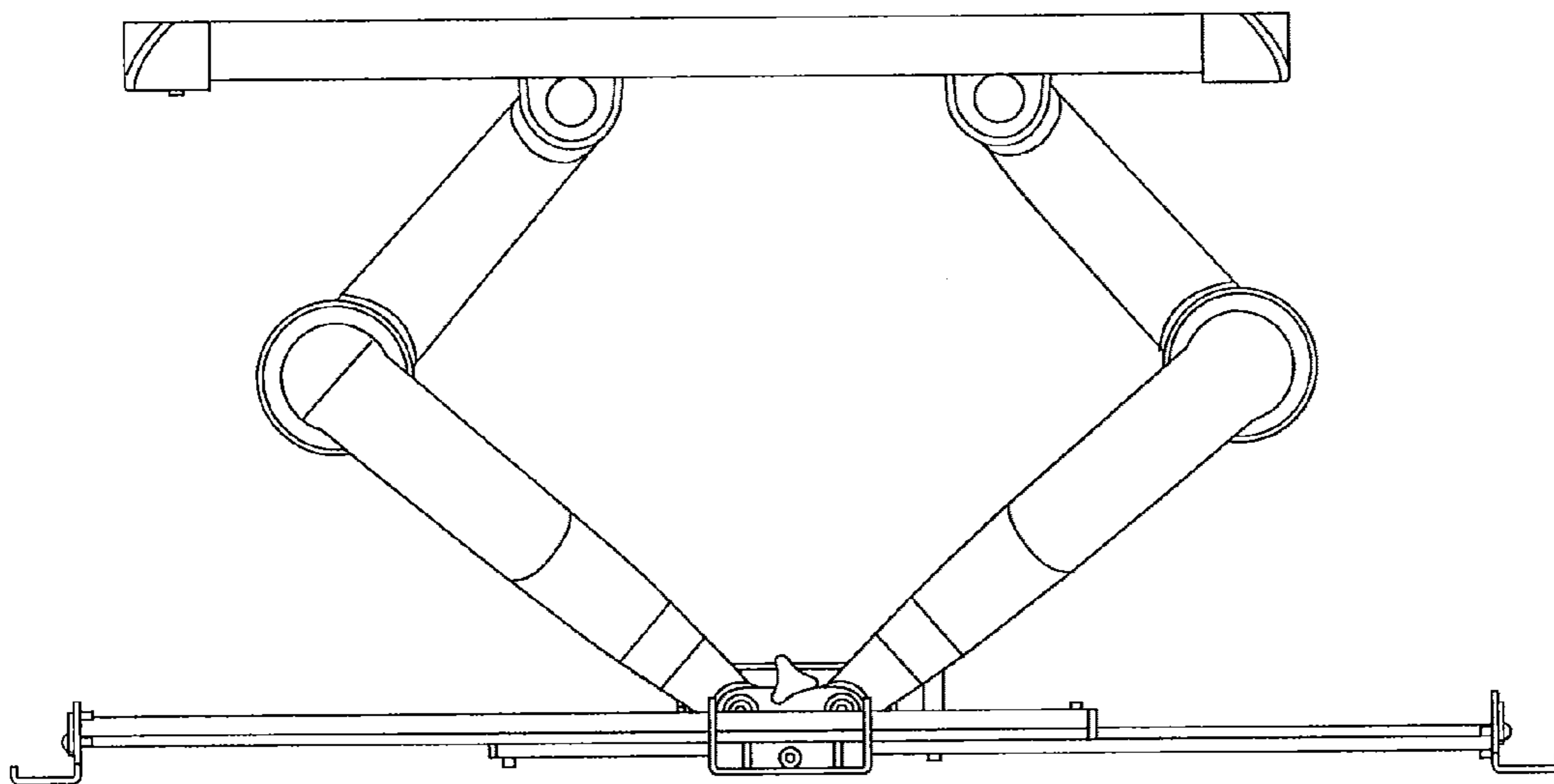


Fig. 5

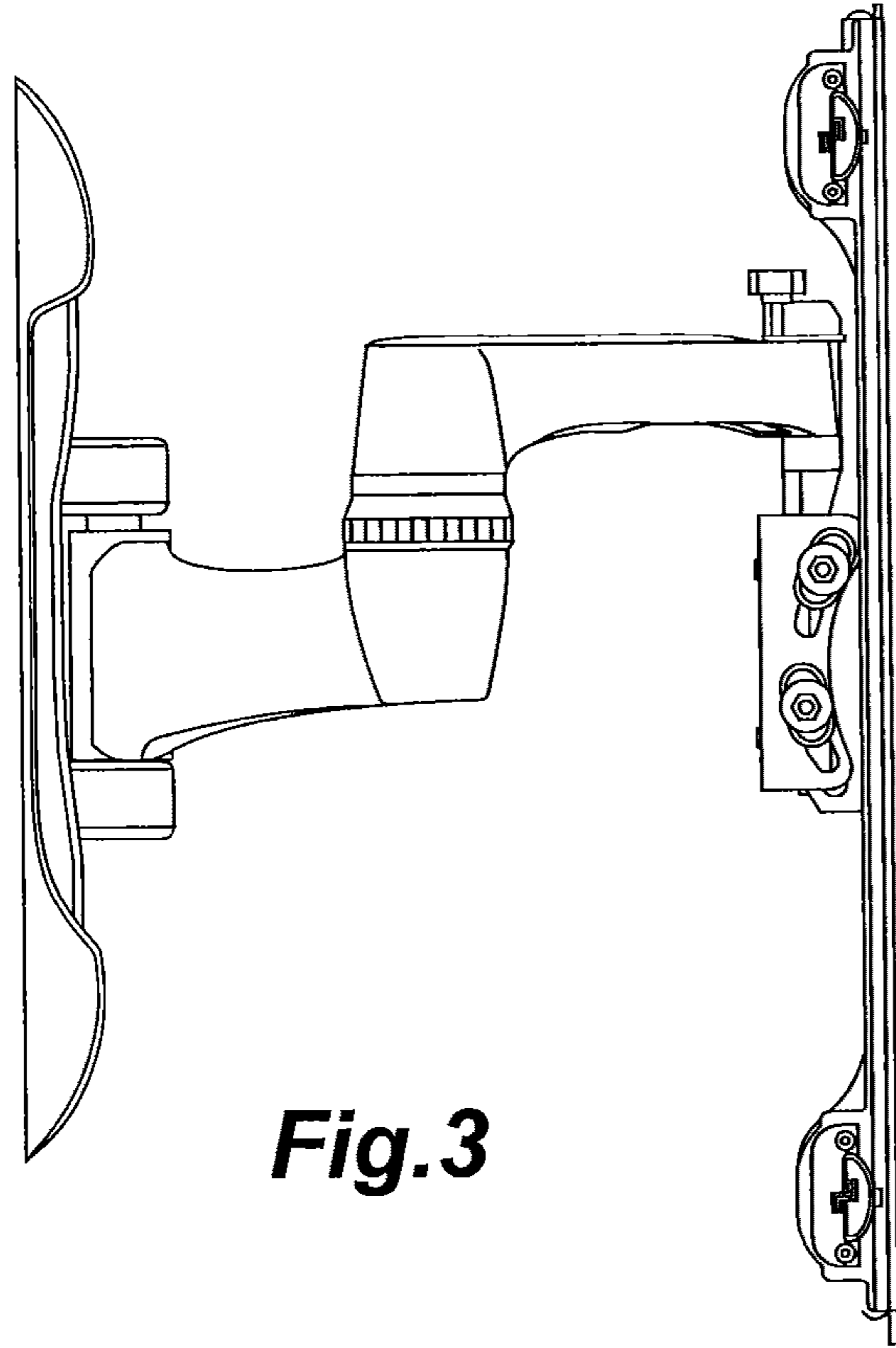


Fig. 3

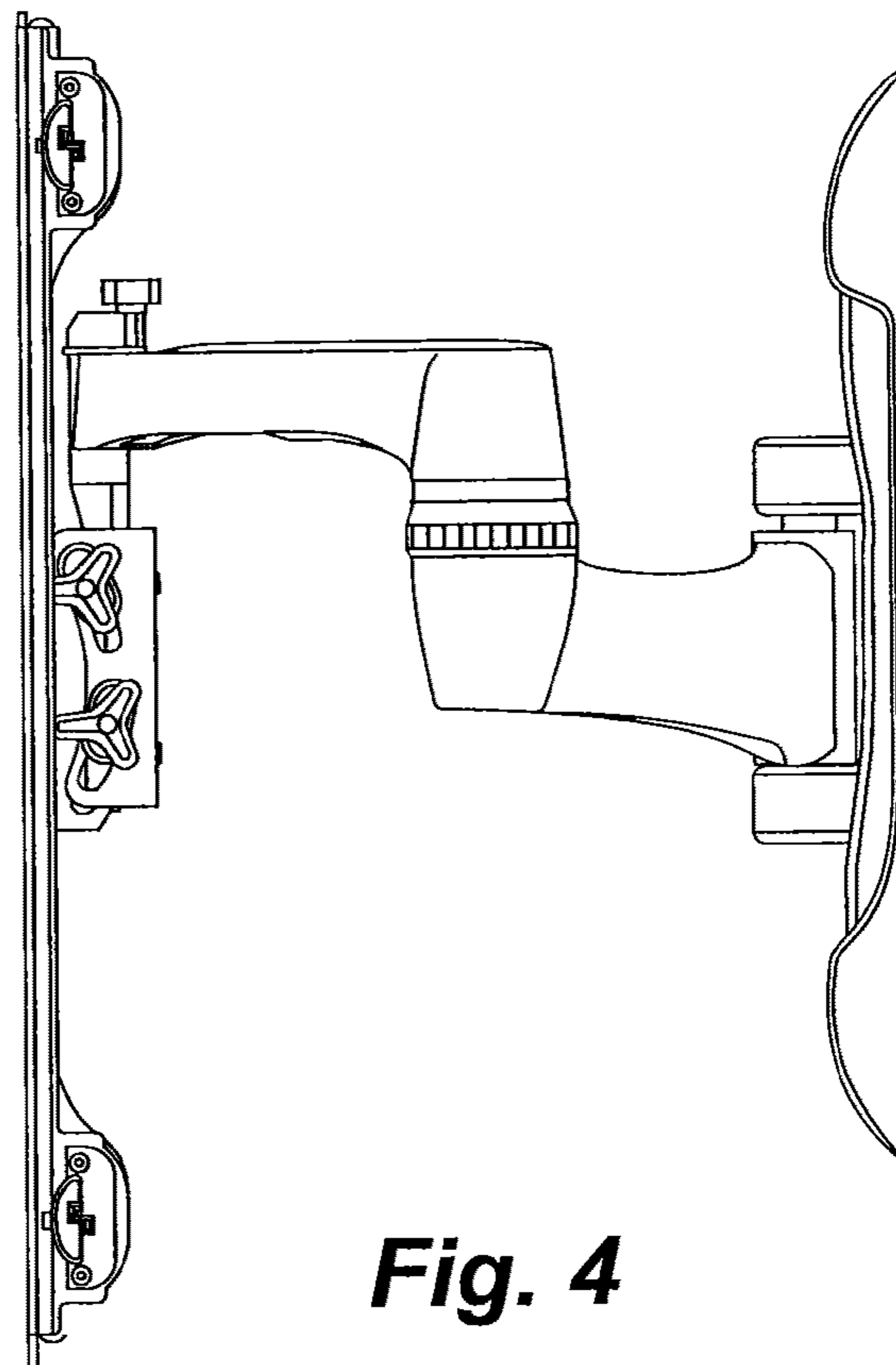


Fig. 4

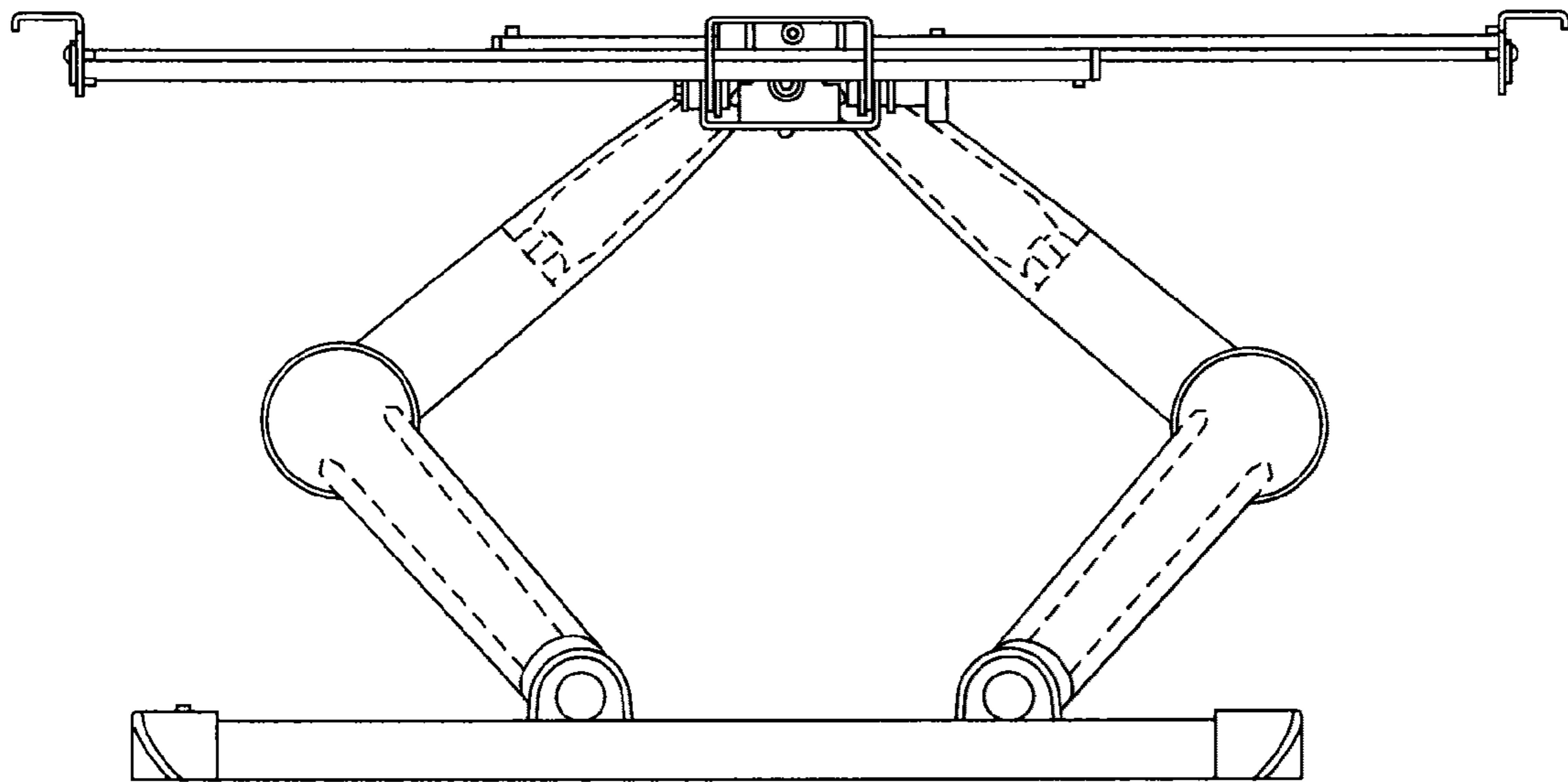


Fig. 6