



US00D634323S

(12) **United States Design Patent**  
**Park et al.**

(10) **Patent No.:** **US D634,323 S**  
(45) **Date of Patent:** **\*\* Mar. 15, 2011**

(54) **LED MONITOR**  
(75) Inventors: **Sang-II Park**, Kyunggi-do (KR);  
**Young-Jin Seo**, Seoul (KR)  
(73) Assignee: **Samsung Electronics Co., Ltd.**, Suwon,  
Kyunggi-do (KR)  
(\*\*) Term: **14 Years**  
(21) Appl. No.: **29/370,219**  
(22) Filed: **Jun. 17, 2010**  
(51) **LOC (9) Cl.** ..... **14-02**  
(52) **U.S. Cl.** ..... **D14/374**  
(58) **Field of Classification Search** ..... D14/371-376,  
D14/125-129, 336, 341; 248/917-924, 121,  
248/278.1; 341/12; 345/104, 156, 173, 174,  
345/901-905; 348/180, 184, 325, 739; 361/679.08,  
361/679.23; 349/1, 2, 11, 58  
See application file for complete search history.

D535,267 S 1/2007 Kang et al.  
D536,677 S 2/2007 Kim et al.  
D537,079 S 2/2007 Park  
D539,242 S 3/2007 Lee et al.  
D539,281 S 3/2007 Kim et al.  
D539,767 S 4/2007 Kang et al.  
D540,277 S 4/2007 Kim et al.  
D541,236 S 4/2007 Kim et al.  
D541,763 S 5/2007 Kim  
D541,766 S \* 5/2007 Kita ..... D14/126  
D541,774 S \* 5/2007 Kita ..... D14/126  
D541,775 S \* 5/2007 Kita ..... D14/126  
D542,746 S 5/2007 Kim  
D542,747 S 5/2007 Kim et al.  
D543,163 S 5/2007 Yang et al.

(Continued)

**OTHER PUBLICATIONS**

U.S. Appl. No. 29/308,634, Applicant: Kyu-Mi Han, et al., filed Jun. 27, 2008 entitled Television Set.

(Continued)

*Primary Examiner* — Freda S Nunn  
(74) *Attorney, Agent, or Firm* — Flynn, Theil, Boutell & Tanis, P.C.

(56) **References Cited**

**U.S. PATENT DOCUMENTS**

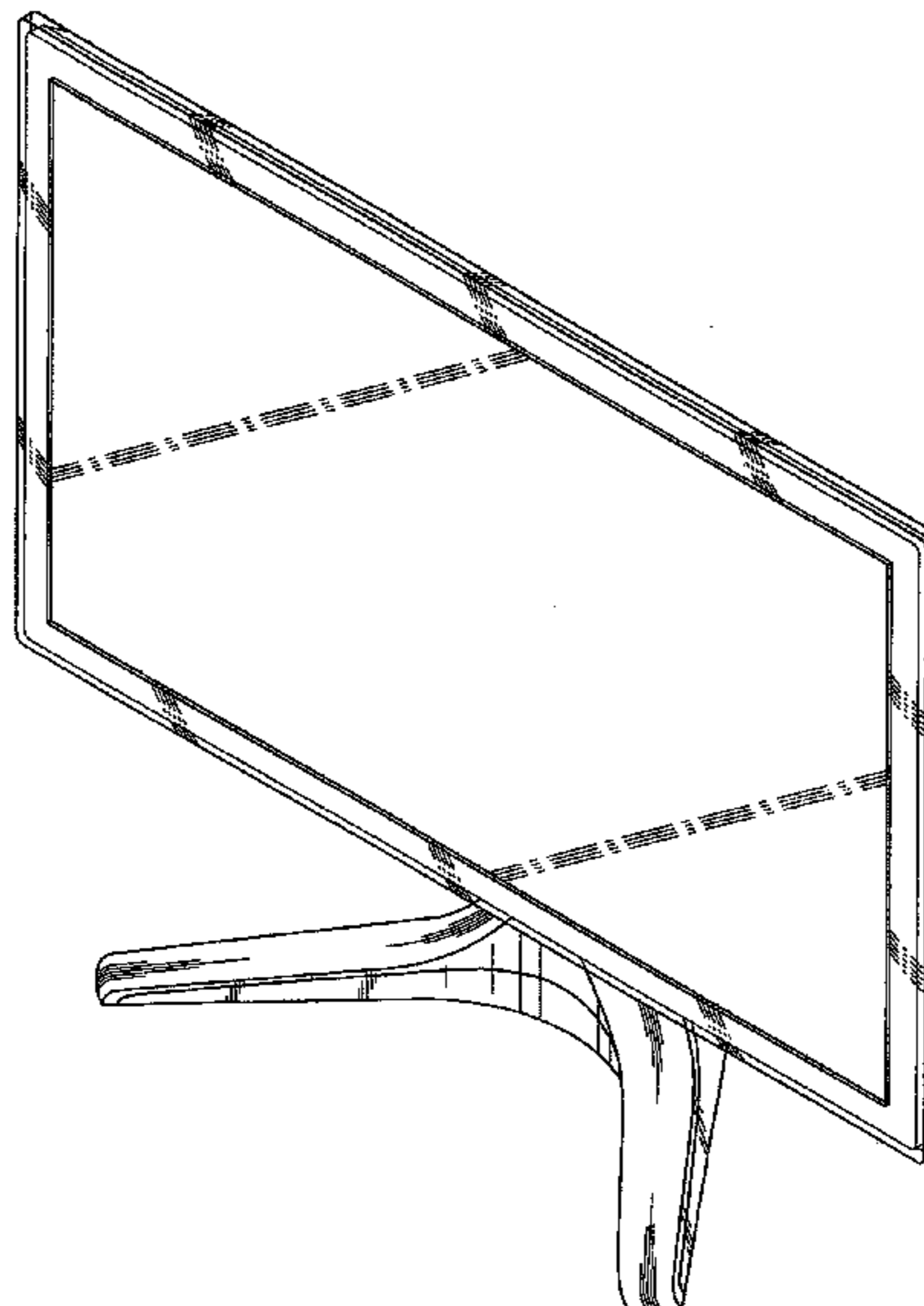
D439,224 S \* 3/2001 Kita ..... D14/126  
D472,897 S \* 4/2003 Park ..... D14/375  
D494,941 S 8/2004 Kim  
D499,386 S 12/2004 Yang  
D512,424 S 12/2005 Kim  
D521,511 S 5/2006 Kim et al.  
D521,996 S 5/2006 Kim et al.  
D521,997 S 5/2006 Park et al.  
D522,509 S 6/2006 Park et al.  
D524,313 S 7/2006 Boo et al.  
D527,003 S 8/2006 Kim et al.  
D528,115 S 9/2006 Yoon  
D528,116 S 9/2006 Won et al.  
D529,910 S 10/2006 Ota  
D529,911 S \* 10/2006 Yamashiro et al. .... D14/375  
D532,764 S 11/2006 Kim et al.  
D533,848 S 12/2006 Lee et al.  
D534,510 S 1/2007 Kang et al.  
D534,883 S 1/2007 Kang et al.

(57) **CLAIM**  
The ornamental design for a LED monitor, as shown and described.

**DESCRIPTION**

FIG. 1 is a top front perspective view of a LED monitor showing our new design;  
FIG. 2 is a front elevational view thereof;  
FIG. 3 is a rear elevational view thereof;  
FIG. 4 is a left side elevational view thereof;  
FIG. 5 is a right side elevational view thereof;  
FIG. 6 is a top plan view thereof; and,  
FIG. 7 is a bottom plan view thereof.

**1 Claim, 4 Drawing Sheets**



# US D634,323 S

## U.S. PATENT DOCUMENTS

D543,164 S	5/2007	Yang et al.	
D544,849 S	6/2007	Yang et al.	
D545,312 S	6/2007	Kim	
D545,313 S	6/2007	Kim	
D545,314 S	6/2007	Kim	
D545,315 S	6/2007	Kim	
D545,316 S	6/2007	Kim	
D545,776 S	7/2007	Kwon	
D545,778 S	* 7/2007	Isshiki .....	D14/126
D545,820 S	7/2007	Won et al.	
D546,331 S	7/2007	Kim	
D547,276 S	7/2007	Yang et al.	
D547,313 S	7/2007	Kim	
D548,205 S	8/2007	Kim et al.	
D548,206 S	8/2007	Han	
D548,708 S	8/2007	Park et al.	
D551,186 S	9/2007	Yang et al.	
D551,194 S	9/2007	Kim et al.	
D551,636 S	9/2007	Kang et al.	
D552,090 S	* 10/2007	Kita .....	D14/239
D553,108 S	10/2007	Won et al.	
D554,601 S	11/2007	Won et al.	
D556,159 S	11/2007	Park et al.	
D556,160 S	11/2007	Lee et al.	
D556,709 S	12/2007	Kim et al.	
D556,755 S	12/2007	Lee et al.	
D556,756 S	12/2007	Kataoka et al.	
D556,757 S	12/2007	Kim et al.	
D558,201 S	12/2007	Park et al.	
D558,696 S	1/2008	Park et al.	
D561,130 S	2/2008	Won et al.	
D561,134 S	2/2008	Kim et al.	
D561,135 S	2/2008	Won et al.	
D561,136 S	2/2008	Won et al.	
D562,788 S	* 2/2008	Asanuma et al. ....	D14/126
D564,472 S	3/2008	Won et al.	
D565,521 S	4/2008	Yang et al.	
D567,198 S	4/2008	Yang et al.	
D567,199 S	4/2008	Kim et al.	
D569,818 S	5/2008	Kim et al.	
D570,841 S	6/2008	Kim et al.	
D572,680 S	7/2008	Lee et al.	
D572,682 S	7/2008	Won et al.	
D573,118 S	7/2008	Yang et al.	
D573,559 S	7/2008	Kim et al.	
D575,247 S	8/2008	Lee	
D576,622 S	9/2008	Park	
D579,889 S	11/2008	Noh	

D582,365 S	12/2008	Yang et al.	
D582,366 S	12/2008	Yang et al.	
D582,867 S	12/2008	Song et al.	
D584,258 S	1/2009	Yang et al.	
D584,309 S	1/2009	Kim et al.	
D584,310 S	1/2009	Kim et al.	
D584,729 S	1/2009	Kim et al.	
D586,811 S	2/2009	Kim et al.	
D587,712 S	3/2009	Park et al.	
D588,117 S	* 3/2009	Arai .....	D14/239
D592,621 S	5/2009	Han et al.	
D593,974 S	6/2009	Yang et al.	
D597,041 S	7/2009	Cho et al.	
D597,977 S	8/2009	Won et al.	
D597,978 S	8/2009	Won et al.	
D608,311 S	1/2010	Lee et al.	
D609,658 S	2/2010	Kim et al.	
D610,143 S	2/2010	Park et al.	
D614,596 S	4/2010	Won et al.	
D615,509 S	5/2010	Song et al.	
D615,510 S	5/2010	Won et al.	
D615,511 S	5/2010	Shin et al.	
D615,938 S	5/2010	Song et al.	
D616,884 S	6/2010	Kim et al.	
D619,979 S	7/2010	Lee et al.	
2005/0041379 A1*	2/2005	Jang .....	361/681

## OTHER PUBLICATIONS

U.S. Appl. No. 29/308,894, Applicant: Eui-Seok Kim, et al., filed Jul. 14, 2008 entitled LCD Monitor.

U.S. Appl. No. 29/348,517, Applicant: Yong-Joo Lee, et al., filed Feb. 10, 2010 entitled LCD Monitor.

U.S. Appl. No. 29/349,398, Applicant: Ok-Keun Lee, et al., filed Mar. 31, 2010 entitled LED Monitor.

U.S. Appl. No. 29/349,399, Applicant: Sang-Il Park, filed Mar. 31, 2010 entitled LCD Monitor.

U.S. Appl. No. 29/349,400, Applicant: Sang-Il Park, filed Mar. 31, 2010 entitled LCD Monitor.

U.S. Appl. No. 29/349,406, Applicant: Kyoung-Hoon Kim, et al., filed Mar. 31, 2010 entitled Television Receiver.

U.S. Appl. No. 29/349,409, Applicant: Kyoung-Hoon Kim, et al., filed Mar. 31, 2010 entitled Television Receiver.

U.S. Appl. No. 29/349,396, Applicant: Young-Jin Seo, et al., filed Mar. 31, 2010 entitled LED Monitor.

\* cited by examiner

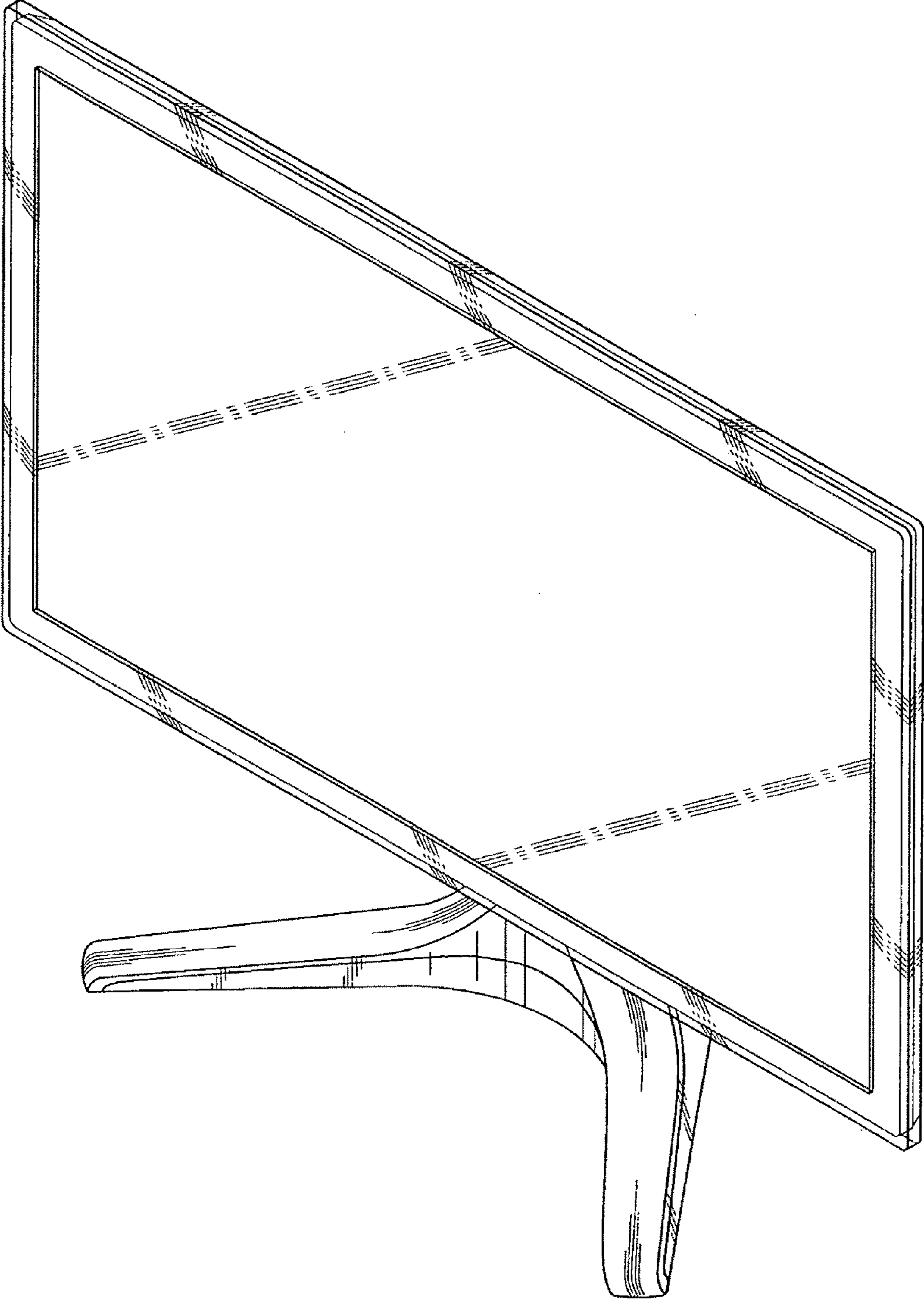


FIG. 1



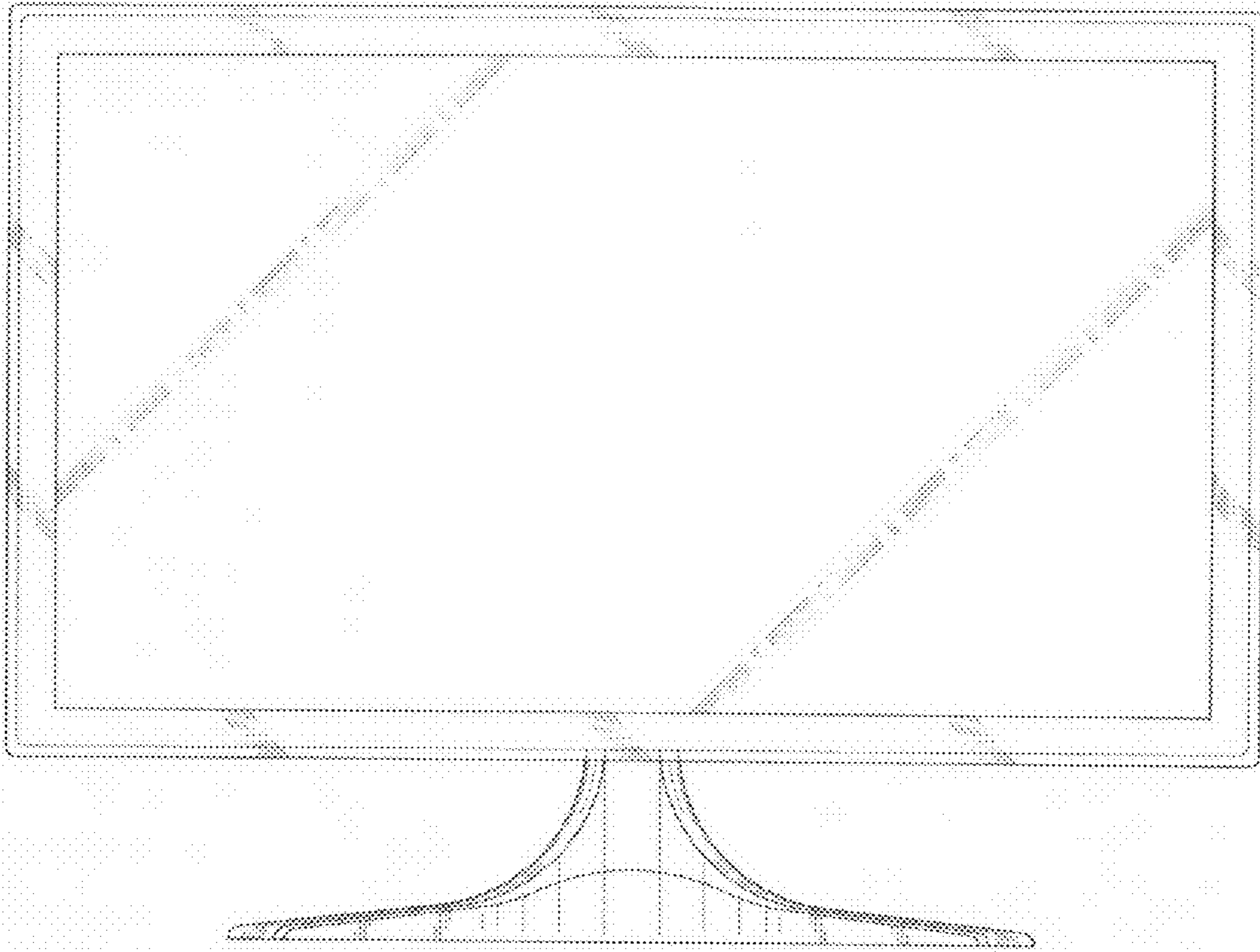


FIG. 2

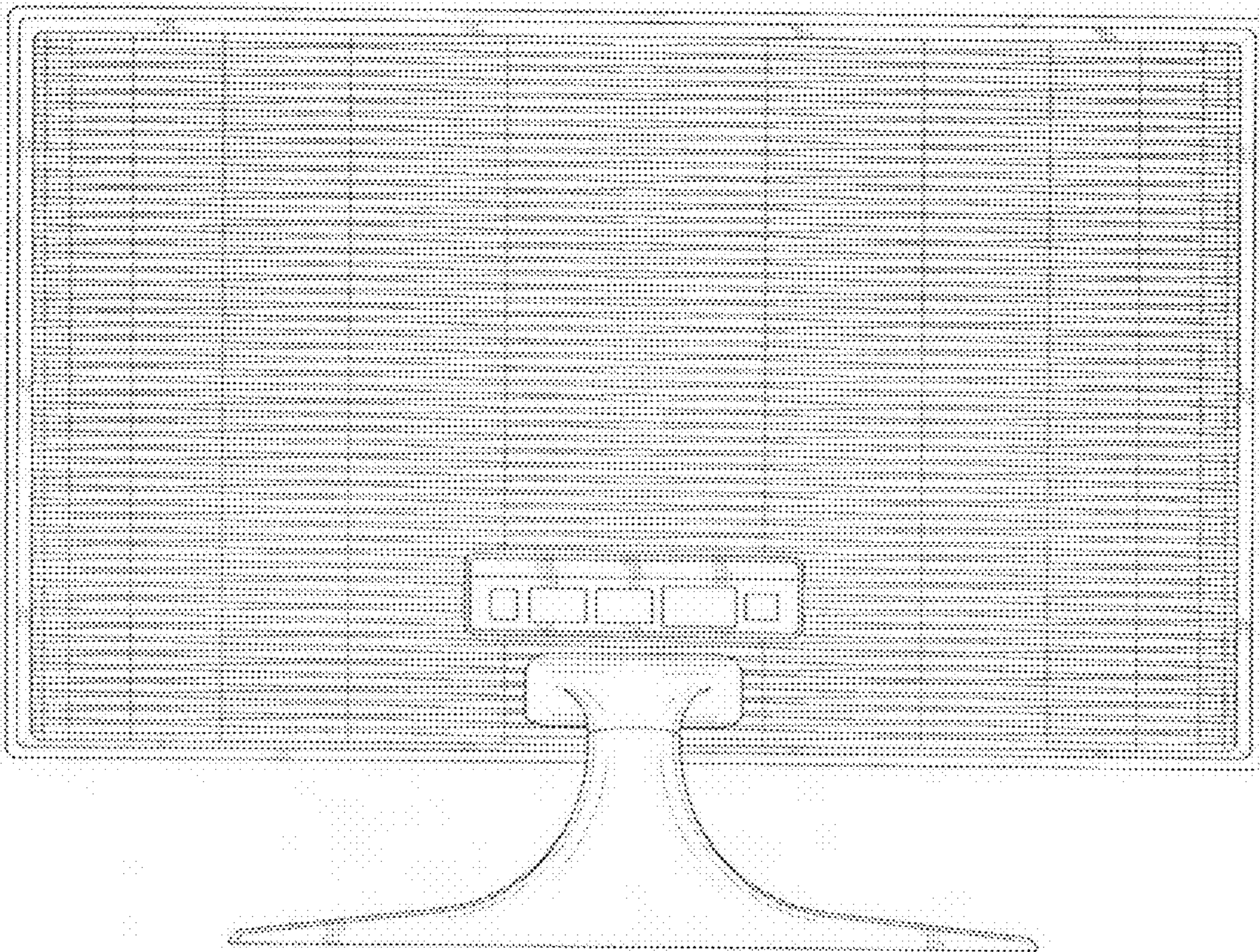


FIG. 3

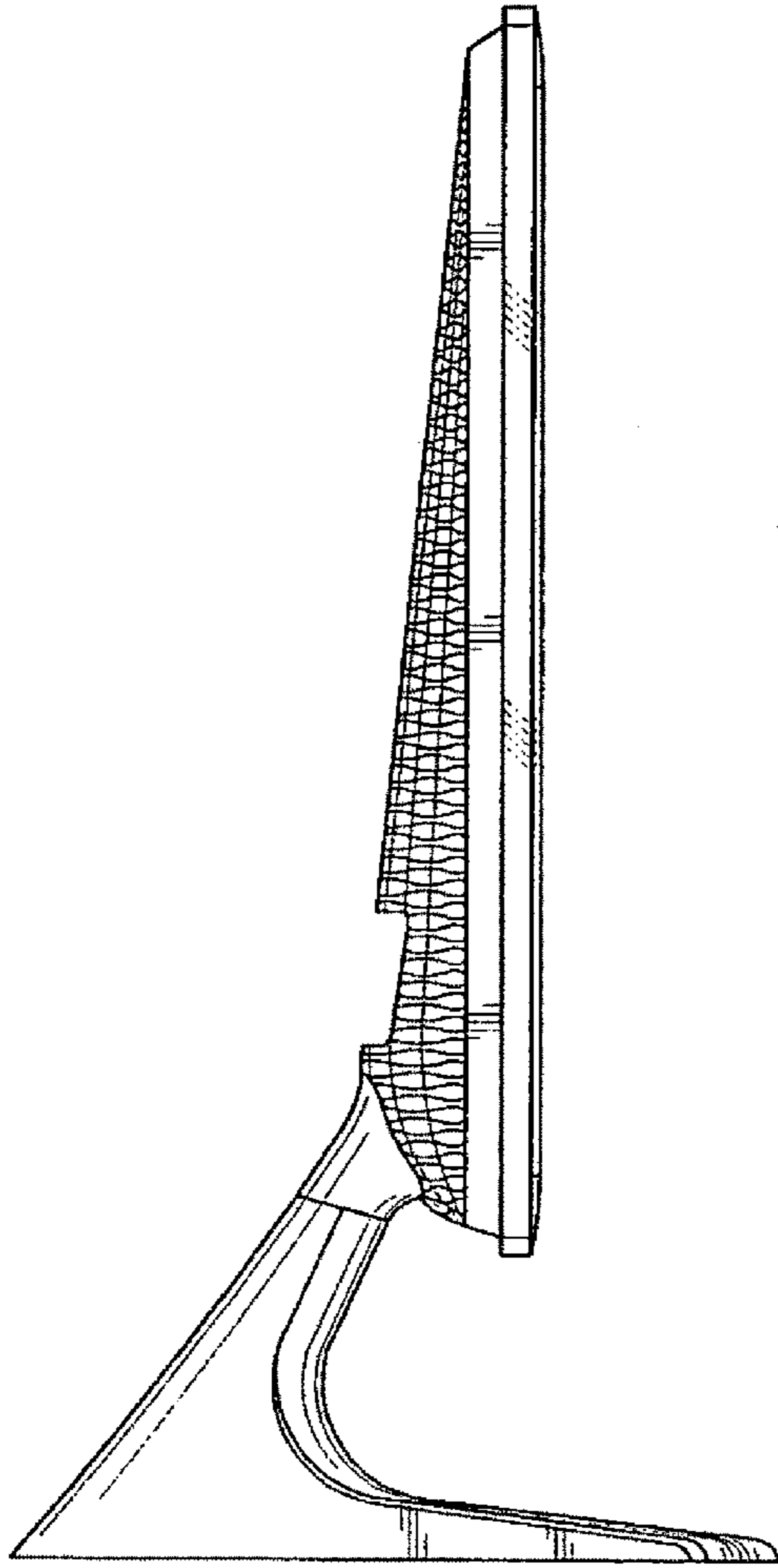


FIG. 4

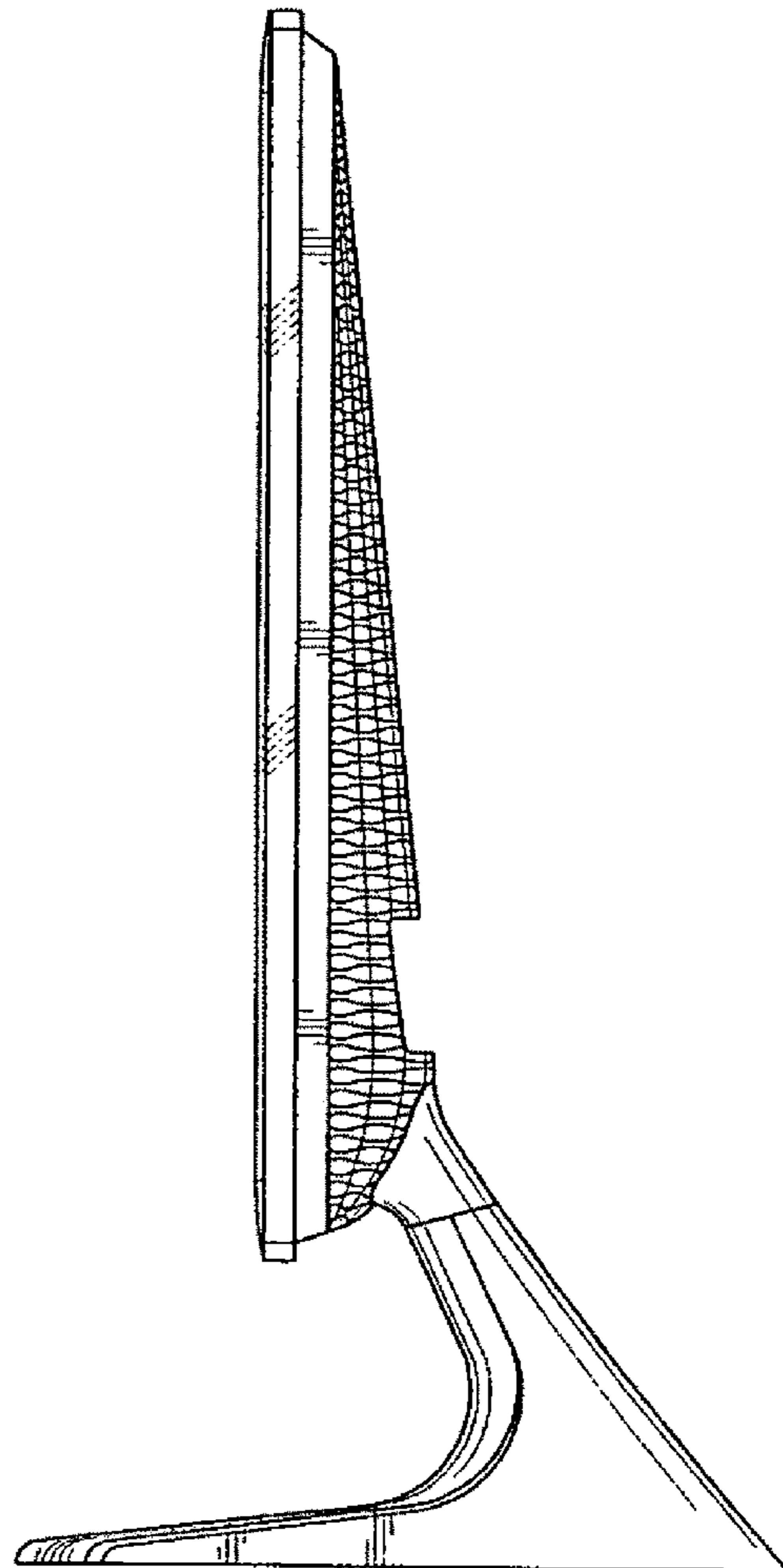


FIG. 5



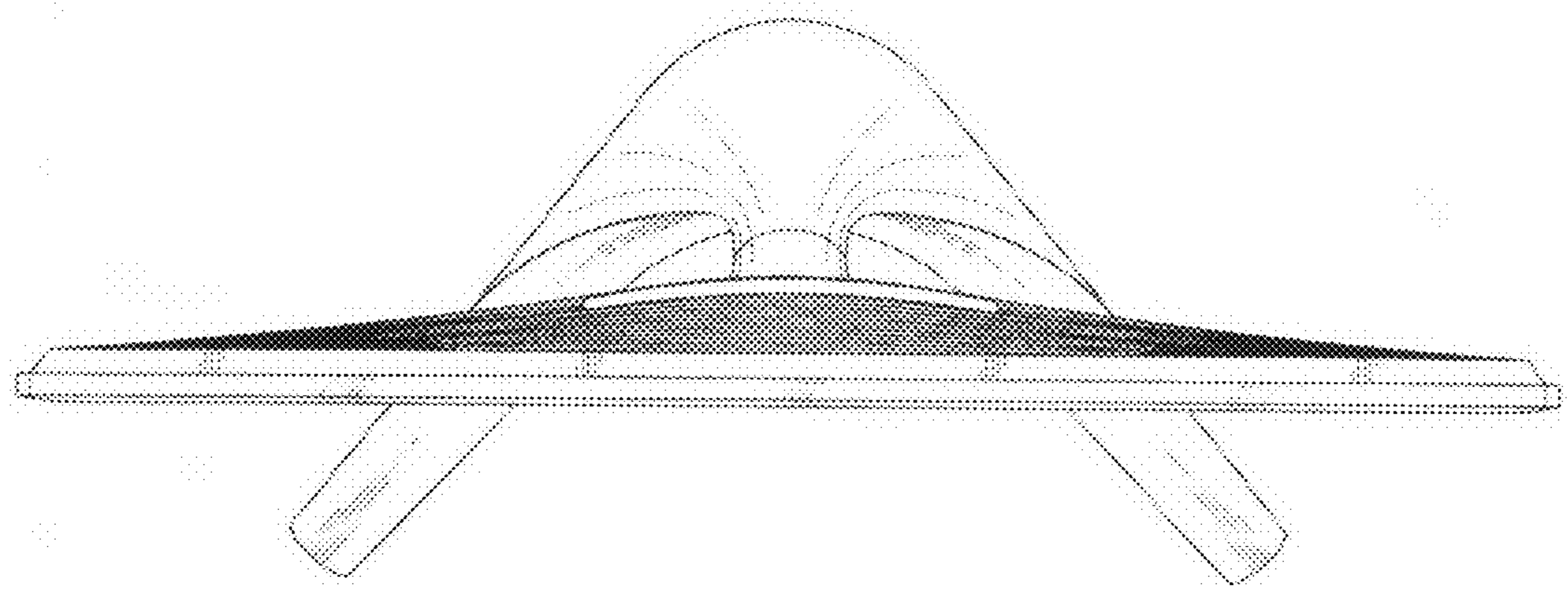


FIG. 6

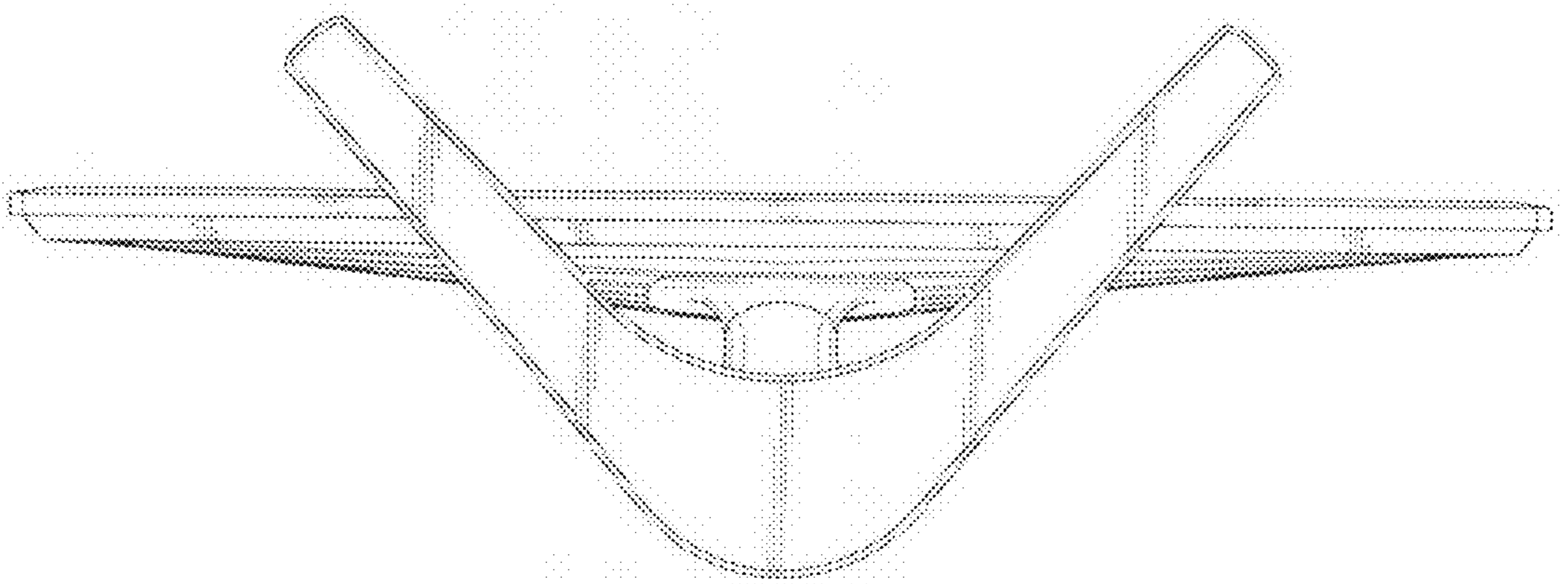


FIG. 7