



US00D634320S

(12) **United States Design Patent**  
**Bliven et al.**

(10) **Patent No.:** **US D634,320 S**  
(45) **Date of Patent:** **\*\* Mar. 15, 2011**

(54) **MONITOR**

(75) Inventors: **Robert P. Bliven**, Saratoga, CA (US);  
**Brian David Perry**, Morgan Hill, CA  
(US); **Peter K. Lee**, San Jose, CA (US)

(73) Assignee: **Hewlett-Packard Development  
Company, L.P.**, Houston, TX (US)

(\*\*) Term: **14 Years**

(21) Appl. No.: **29/341,732**

(22) Filed: **Aug. 11, 2009**

(51) **LOC (9) Cl.** ..... **14-02**

(52) **U.S. Cl.** ..... **D14/371; D14/336; D6/308**

(58) **Field of Classification Search** ..... D14/371-376,  
D14/125-129, 336, 337, 341; D6/308, 311;  
341/12; 345/104, 156, 173, 174, 901-905;  
348/180, 184, 325, 739; 361/679.08, 679.23;  
349/1, 2, 11, 58; 248/917-924, 371  
See application file for complete search history.

(56) **References Cited**

**U.S. PATENT DOCUMENTS**

D255,745 S \* 7/1980 Pedersen ..... D6/311  
D323,324 S \* 1/1992 Suda ..... D14/125  
D356,072 S \* 3/1995 Mundt ..... D14/320  
D429,227 S \* 8/2000 Shimizu ..... D14/126

D438,201 S \* 2/2001 Ogawa et al. .... D14/336  
D448,031 S \* 9/2001 Goetz ..... D14/374  
D448,376 S \* 9/2001 Lee ..... D14/374  
D464,050 S \* 10/2002 Mori ..... D14/375  
D481,726 S \* 11/2003 Olson et al. .... D14/375  
D502,179 S \* 2/2005 Cha et al. .... D14/375  
D538,800 S \* 3/2007 Zhang et al. .... D14/331  
D585,399 S \* 1/2009 Hwang ..... D14/130  
2003/0189155 A1\* 10/2003 Serbinski et al. .... 248/371

\* cited by examiner

*Primary Examiner* — Freda S Nunn

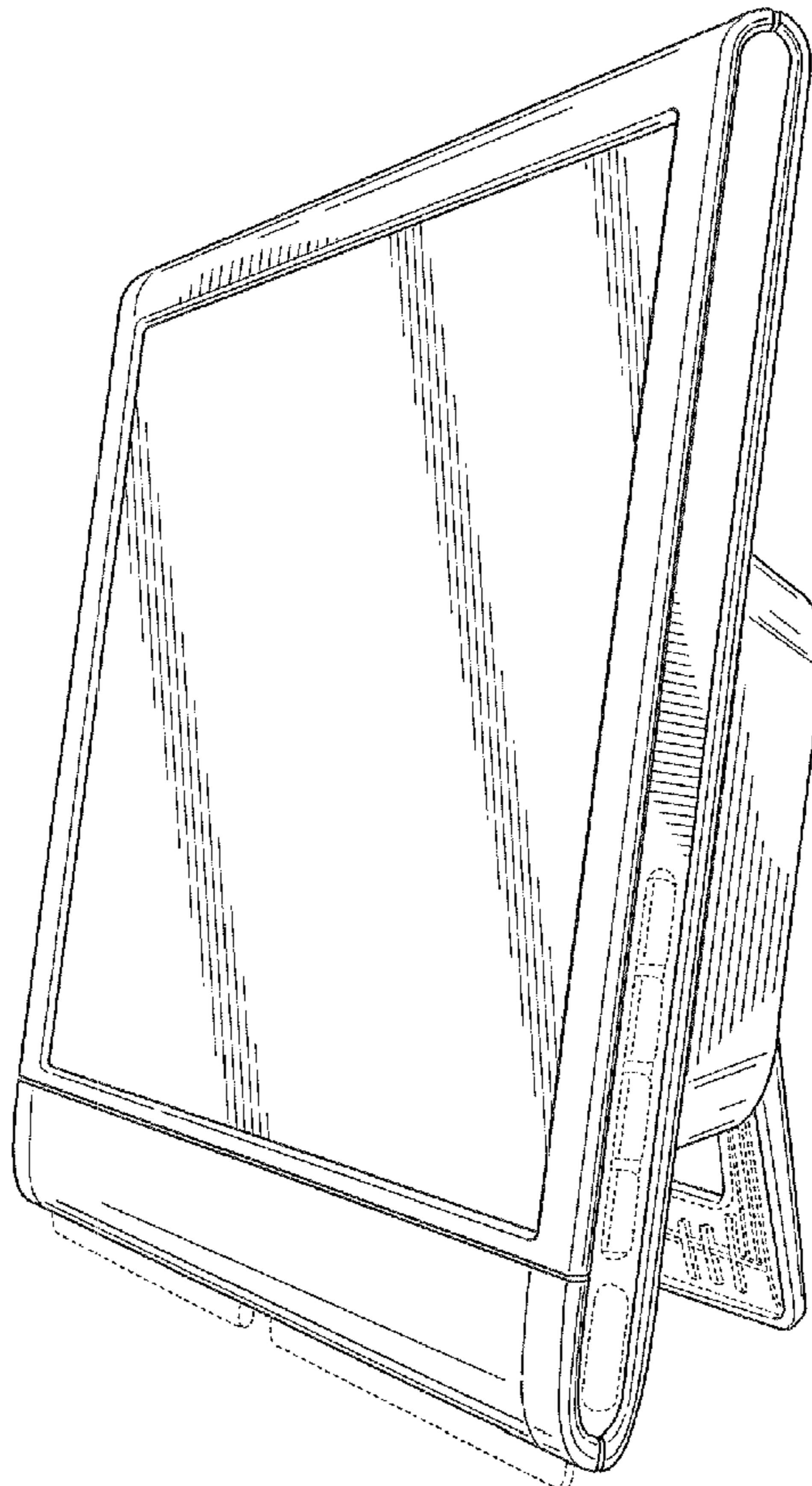
(57) **CLAIM**

We claim the ornamental design for a monitor, as shown and described.

**DESCRIPTION**

FIG. 1 is a front perspective view of a monitor showing our new design;  
FIG. 2 is a rear perspective view thereof;  
FIG. 3 is a front view thereof;  
FIG. 4 is a rear view thereof;  
FIG. 5 is a top view thereof;  
FIG. 6 is a bottom view thereof;  
FIG. 7 is a right view thereof; and,  
FIG. 8 is a left view thereof.  
Broken lines shown in the drawings illustrate portions of the monitor and form no part of the claimed design.

**1 Claim, 8 Drawing Sheets**



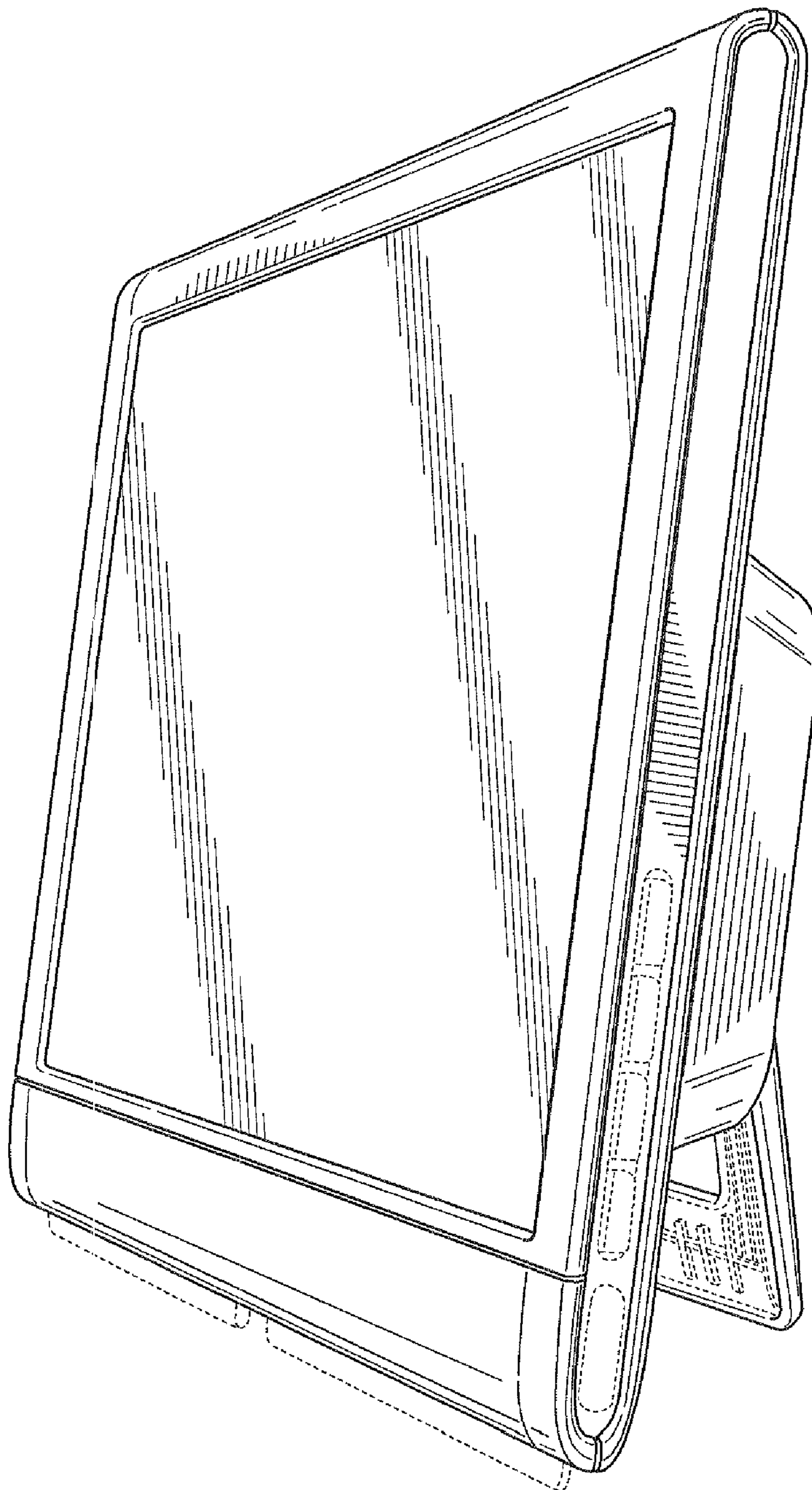


FIG. 1

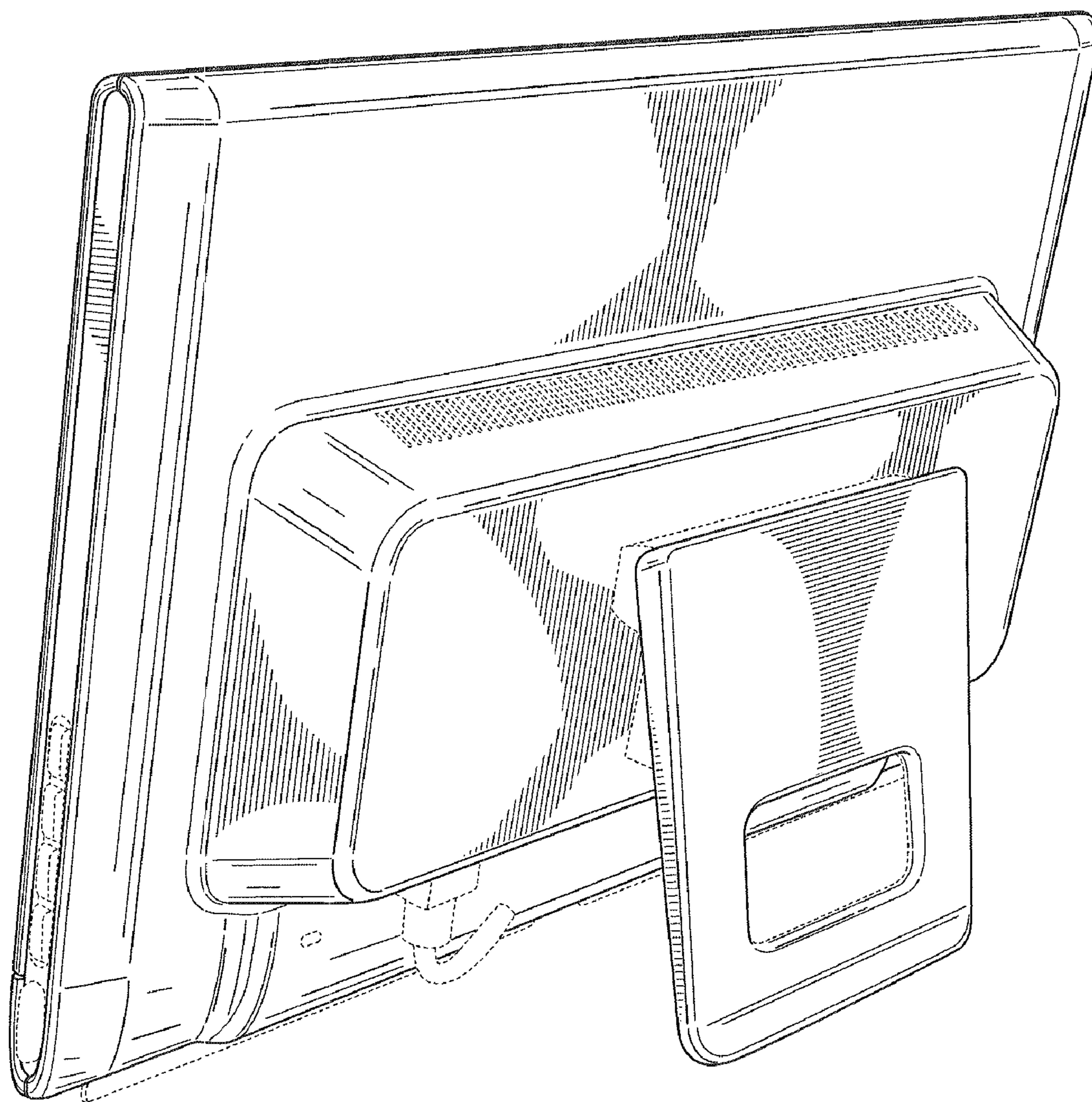


FIG. 2

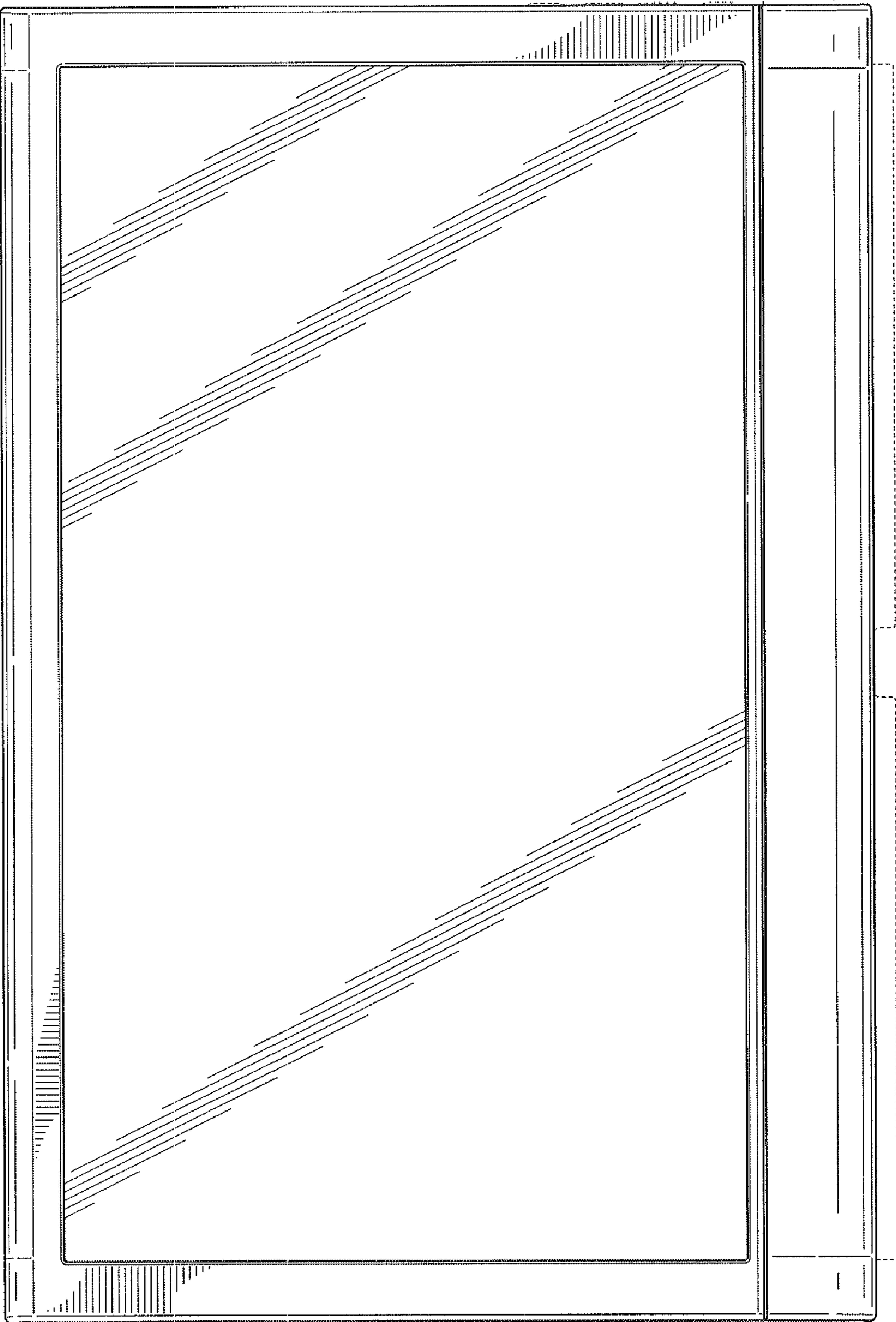


FIG. 3

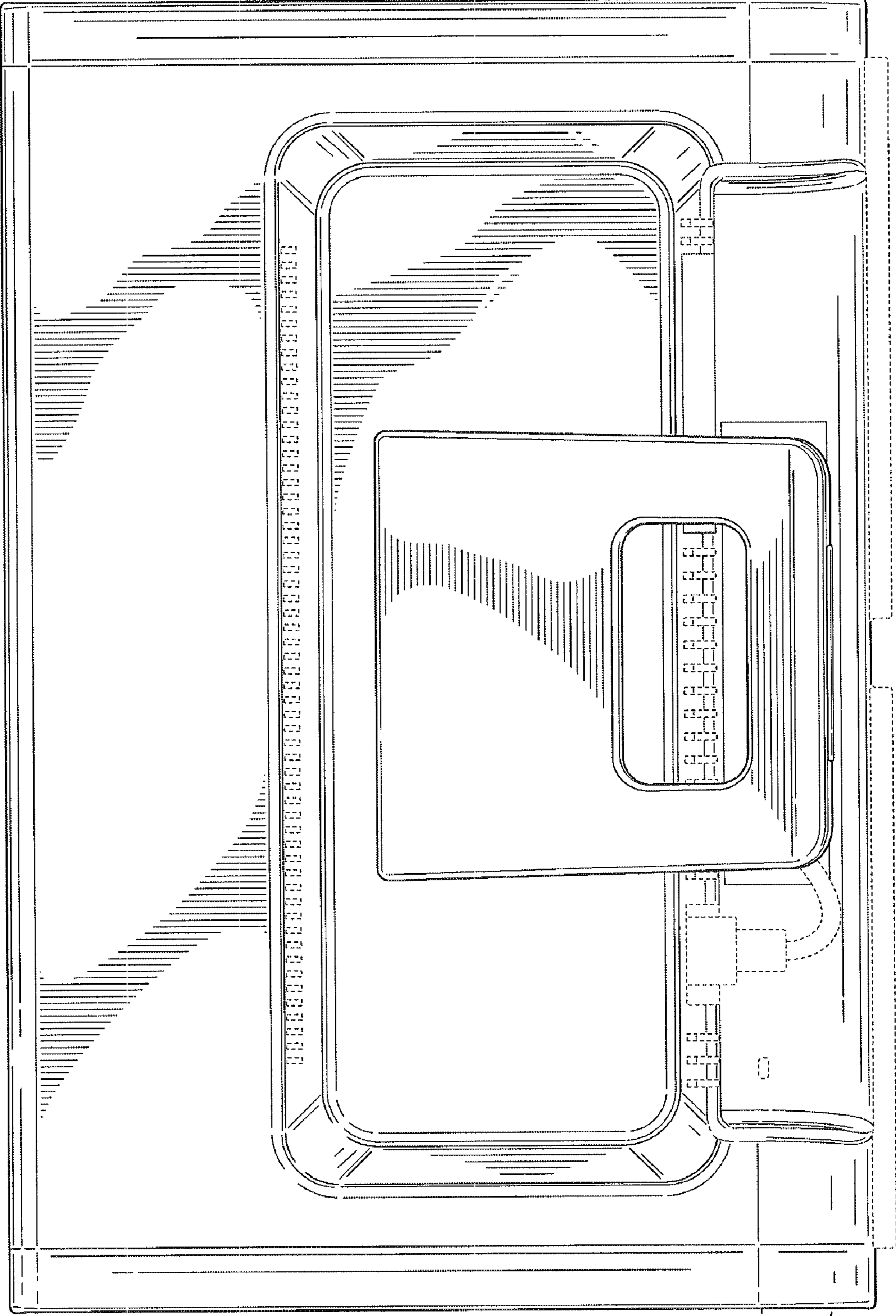


FIG. 4

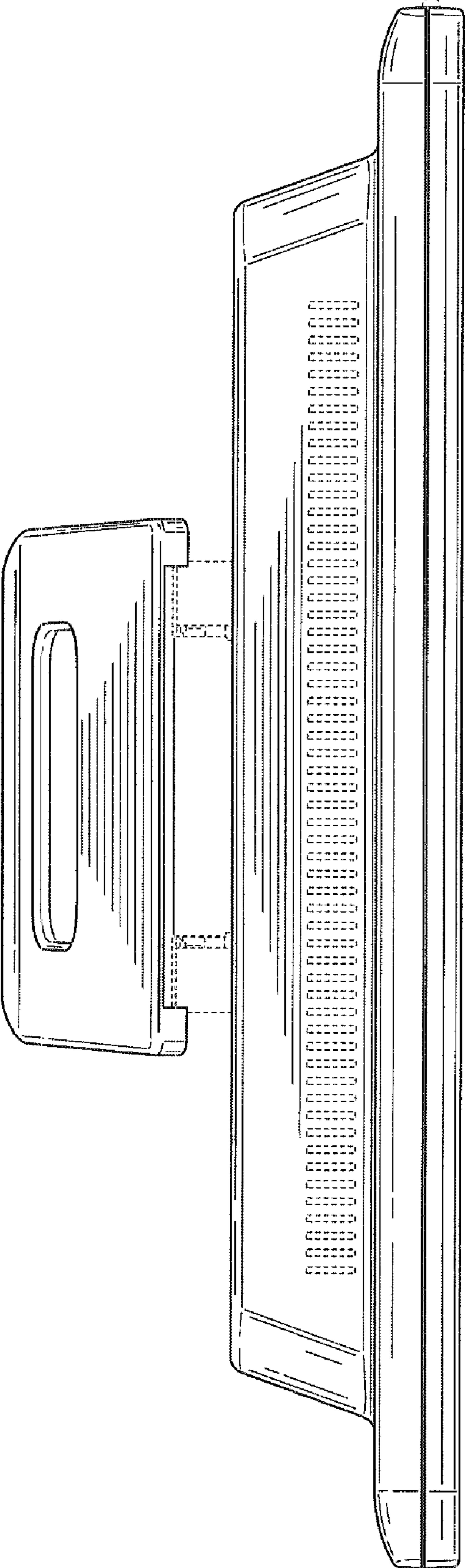


FIG. 5

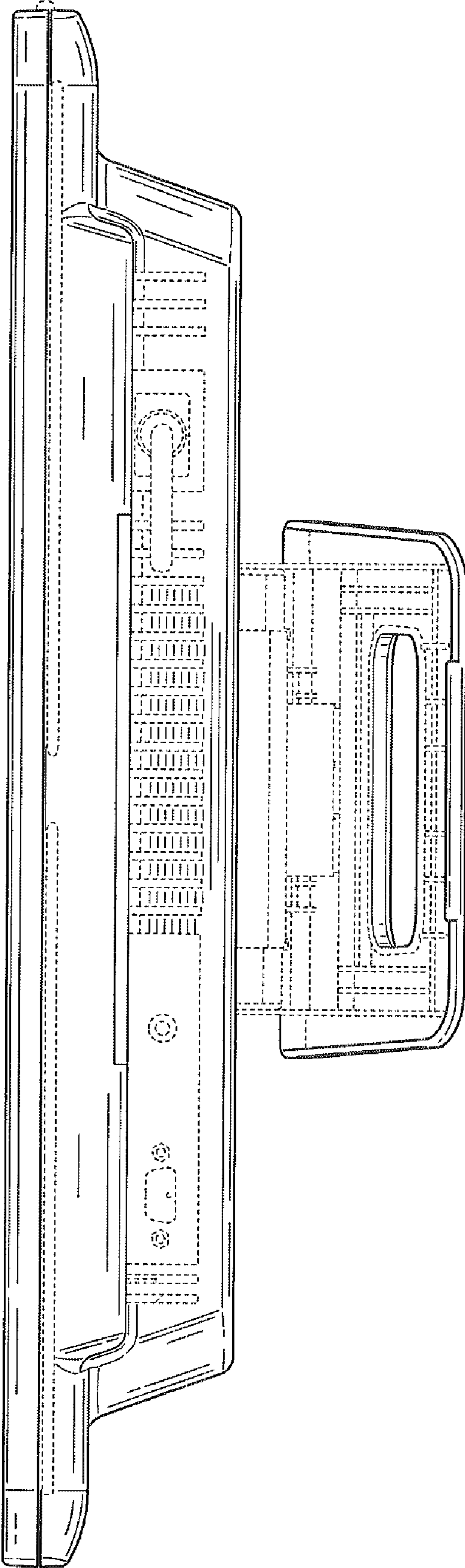
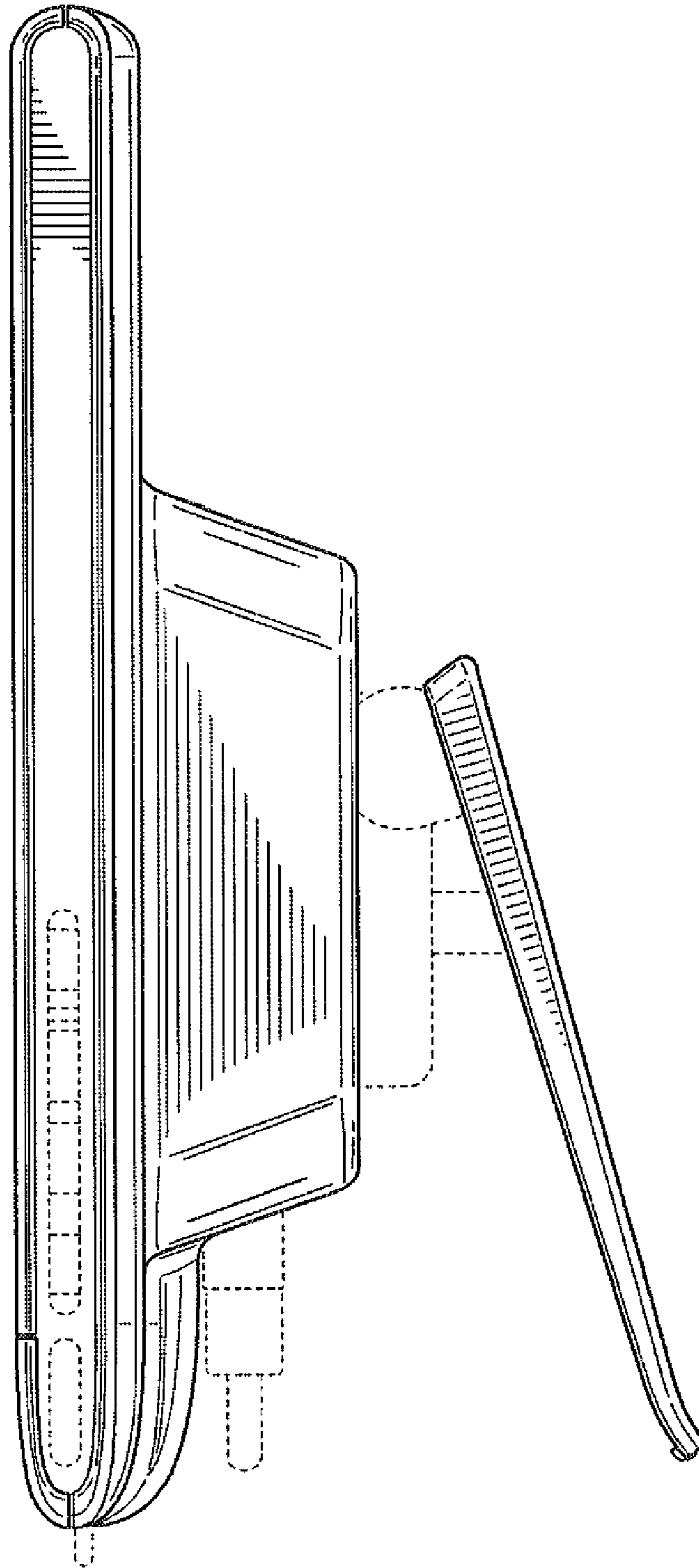
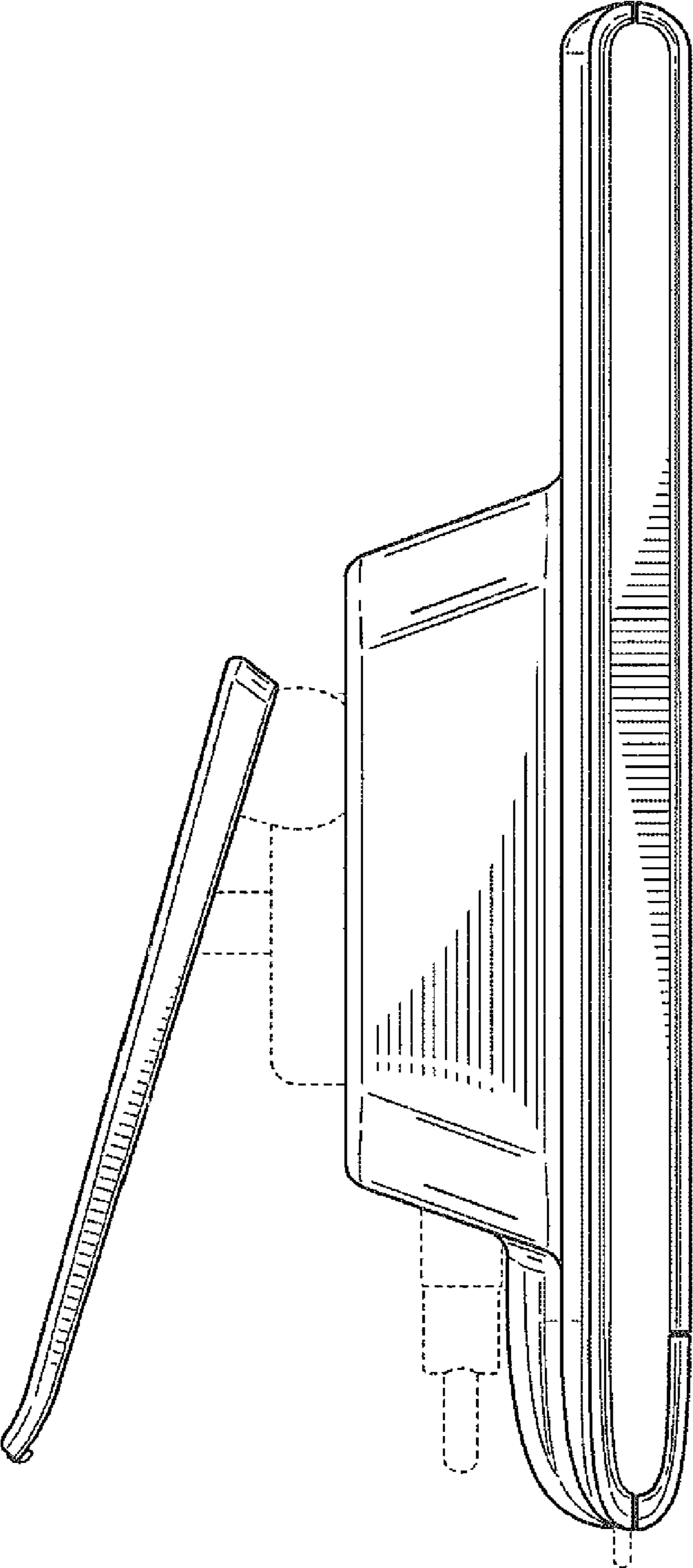


FIG. 6



**FIG. 7**





**FIG. 8**