



US00D634317S

(12) **United States Design Patent**
Buckle et al.

(10) **Patent No.:** **US D634,317 S**
(45) **Date of Patent:** **** Mar. 15, 2011**

(54) **TABLET COMPUTER**
(75) Inventors: **Ian Buckle**, Surrey (GB); **Adam Stone**, Essex (GB); **Paul Wolfson**, London (GB)
(73) Assignee: **Nokia Corporation**, Espoo (FI)
(**) Term: **14 Years**
(21) Appl. No.: **29/362,693**
(22) Filed: **May 28, 2010**
(51) **LOC (9) Cl.** **14-02**
(52) **U.S. Cl.** **D14/341**
(58) **Field of Classification Search** D14/341-347, D14/137, 138, 138.1, 138 AA, 138 R, 138 AB, D14/138 G, 138 A, 496, 426, 429, 129, 130, D14/420, 439-441, 448, 125, 147, 156, 218, D14/250, 336, 203.1, 203.3, 203.4, 203.7, D14/315, 388-390; D21/324, 329, 330; D10/65, 104; D18/6-7; 345/169, 901, 905, 345/156, 157, 168, 173; 361/680, 686, 679.27, 361/679.3; 379/433.04, 433.07, 433.11, 379/916, 433.01, 433.06
See application file for complete search history.

D602,935 S 10/2009 Kettula et al.
D608,778 S * 1/2010 Lee et al. D14/336
D613,745 S 4/2010 Arbisi et al.
D615,969 S 5/2010 Arbisi et al.
D624,070 S * 9/2010 Lee et al. D14/336
2010/0289760 A1 * 11/2010 Jonoshita et al. 345/173

* cited by examiner
Primary Examiner — Cathron C Brooks
Assistant Examiner — Barbara Fox
(74) *Attorney, Agent, or Firm* — Banner & Witcoff, Ltd

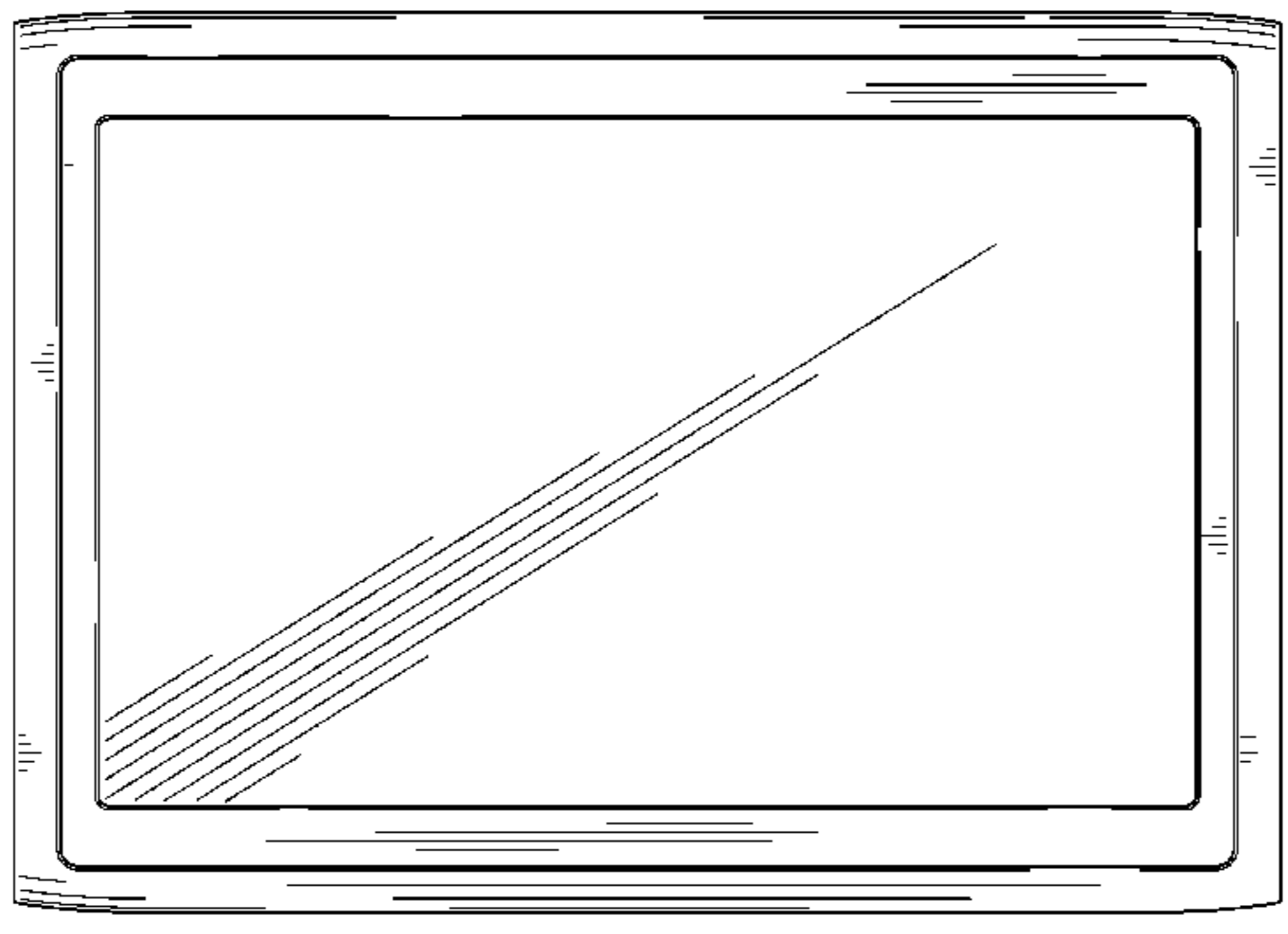
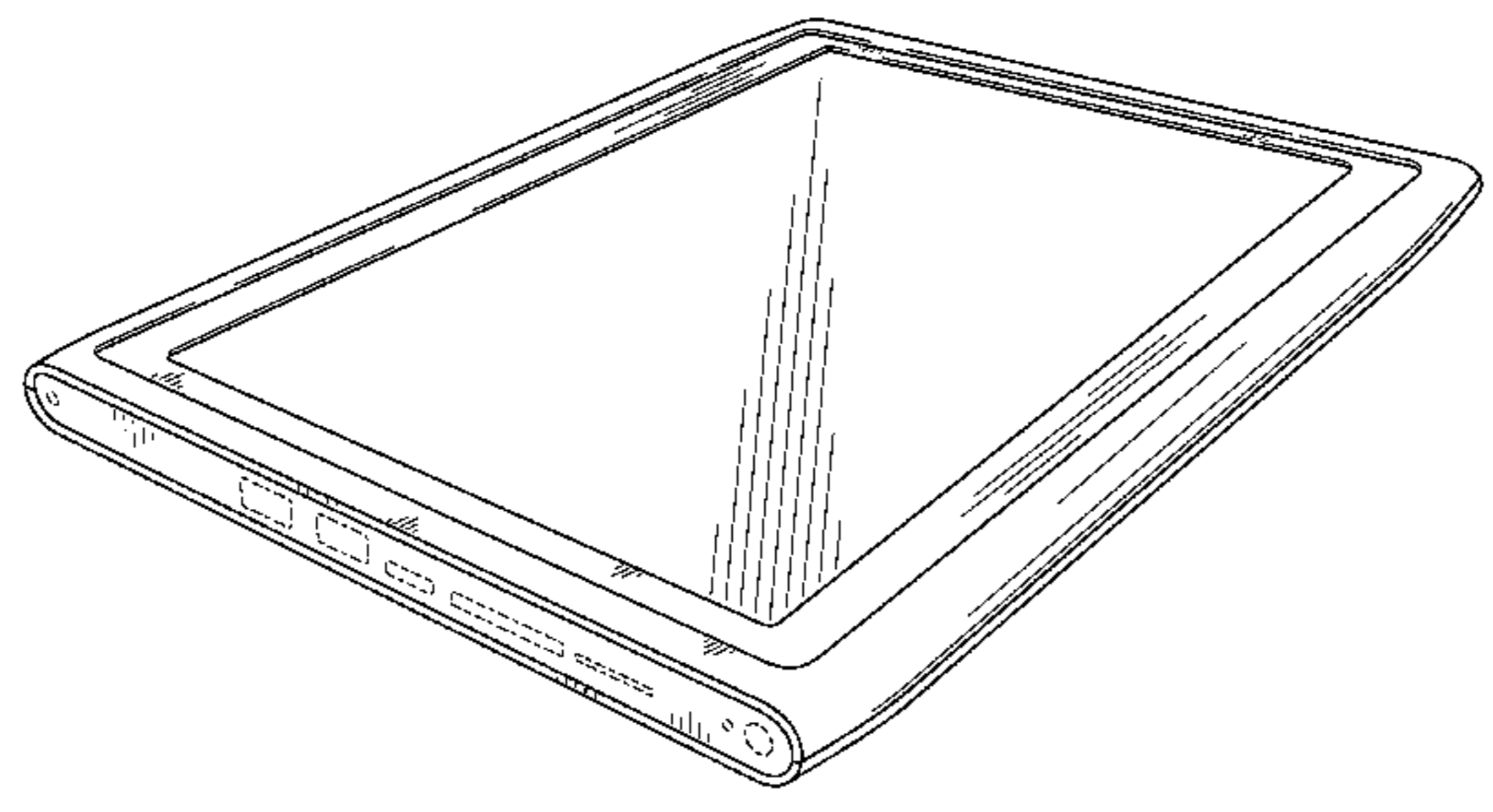
(57) **CLAIM**
The ornamental design for a tablet computer, as shown and described.

DESCRIPTION

FIG. 1 is a perspective front view of a tablet computer showing the new design;
FIG. 2 is a front view thereof;
FIG. 3 is a rear view thereof;
FIG. 4 is a right side view thereof;
FIG. 5 is a left side view thereof;
FIG. 6 is a top view thereof;
FIG. 7 is a bottom view thereof;
FIG. 8 is a perspective front view of a tablet computer showing the new design;
FIG. 9 is a front view thereof;
FIG. 10 is a rear view thereof;
FIG. 11 is a right side view thereof;
FIG. 12 is a left side view thereof;
FIG. 13 is a top view thereof; and,
FIG. 14 is a bottom view thereof.
The broken lines in the drawings illustrate unclaimed portions of the tablet computer and form no part of the claimed design.

(56) **References Cited**
U.S. PATENT DOCUMENTS
D284,084 S * 6/1986 Ferrara, Jr. D14/389
D408,794 S * 4/1999 Ogasawara D14/341
6,480,374 B1 * 11/2002 Lee 361/679.17
D498,217 S * 11/2004 Kim et al. D14/126
D504,889 S * 5/2005 Andre et al. D14/341
D592,214 S 5/2009 Bradford
D598,916 S 8/2009 Lehtovaara

1 Claim, 10 Drawing Sheets



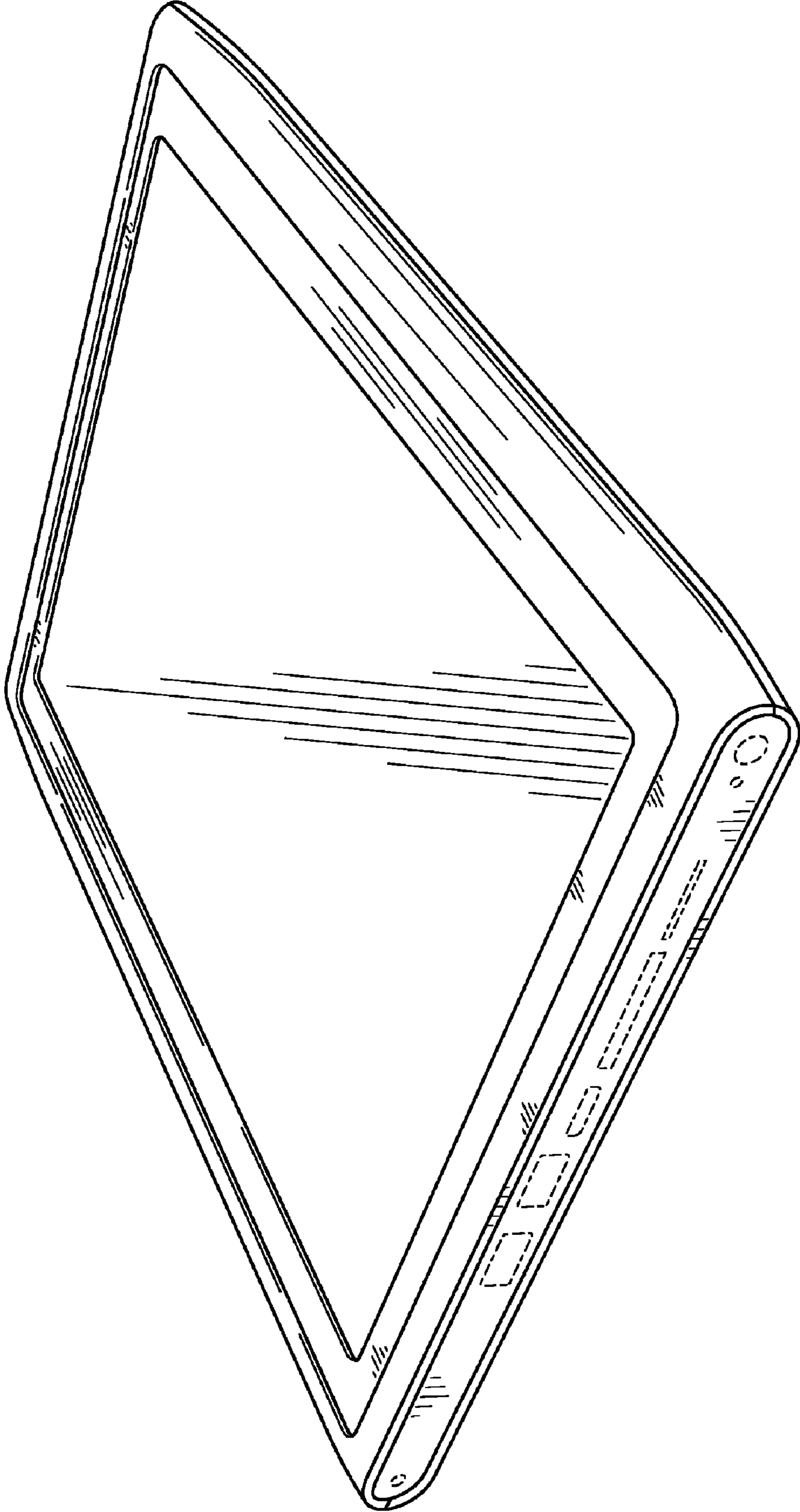


FIG. 1

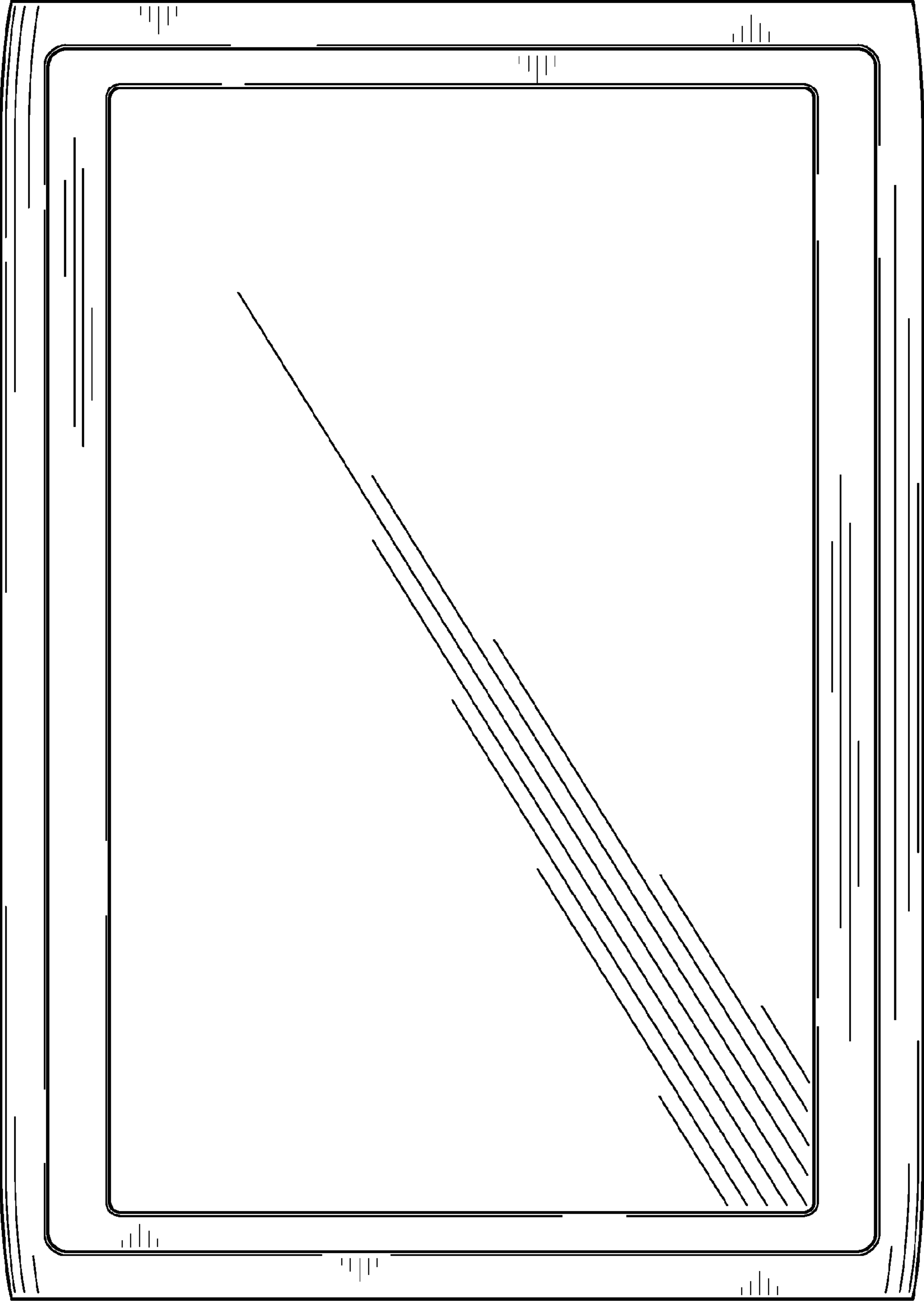


FIG. 2

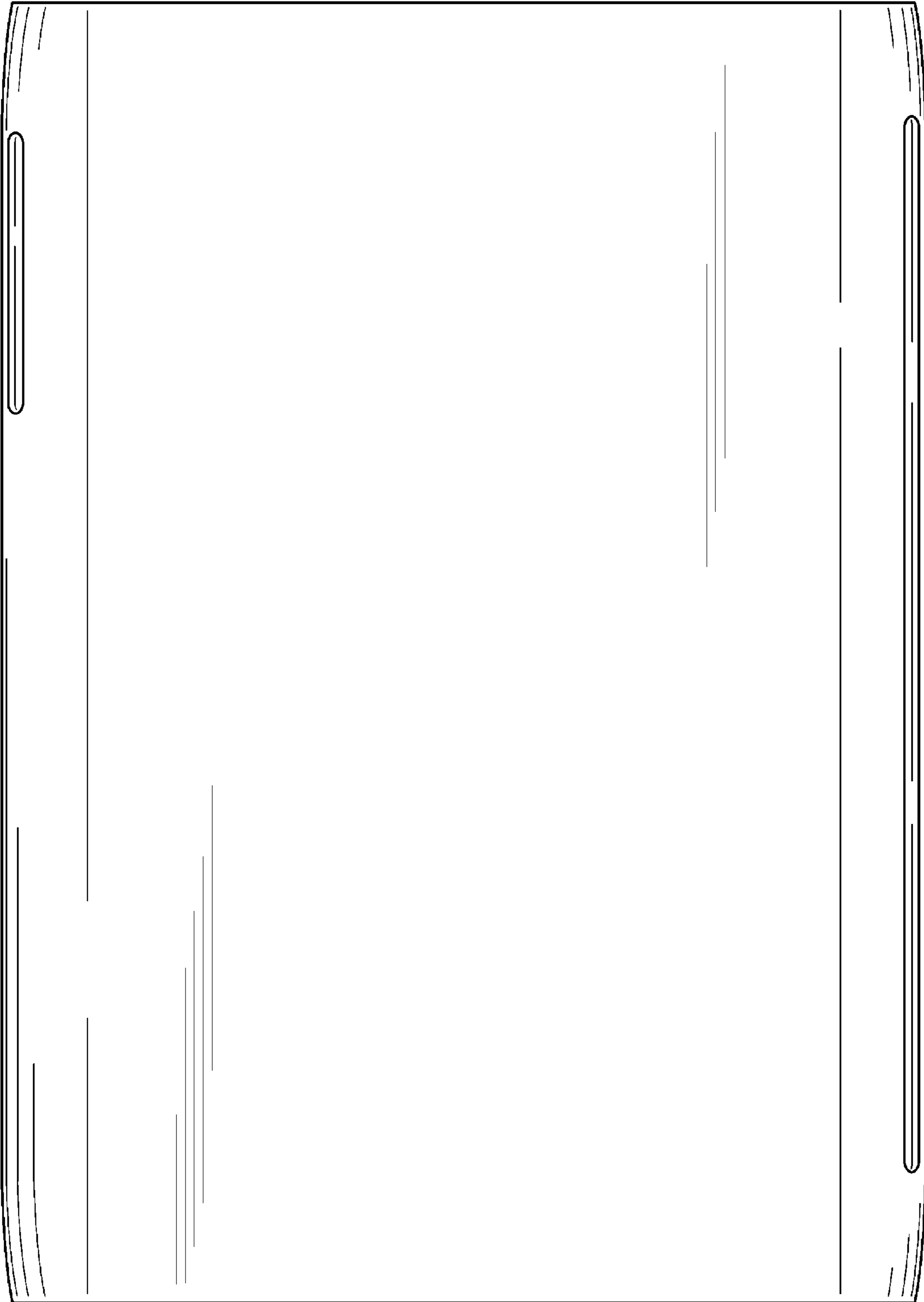


FIG. 3

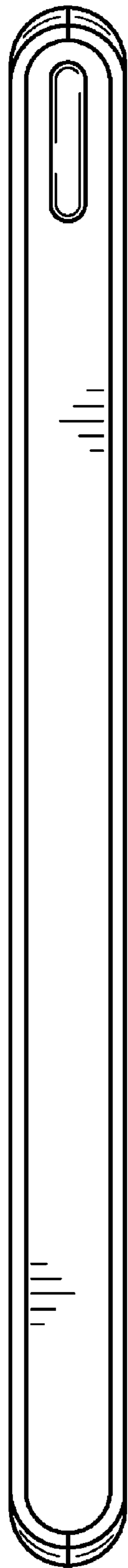


FIG. 4

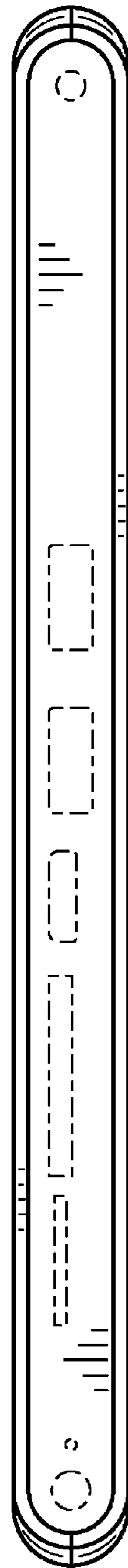


FIG. 5

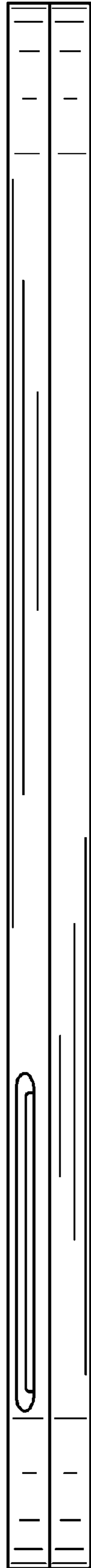


FIG. 6

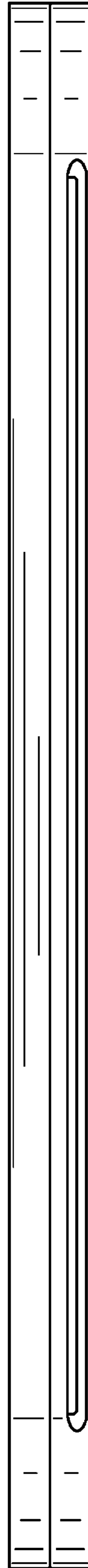


FIG. 7

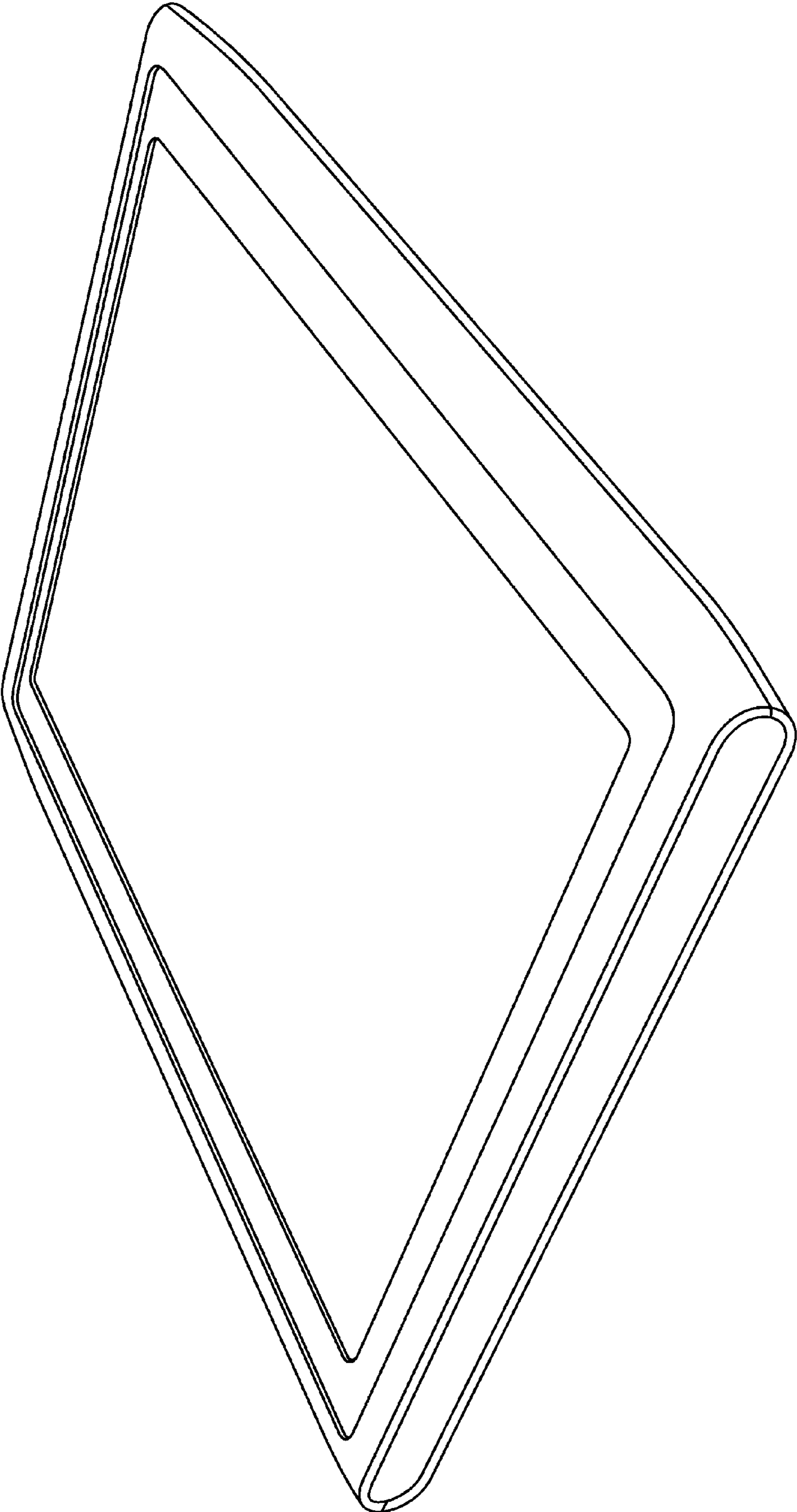


FIG. 8

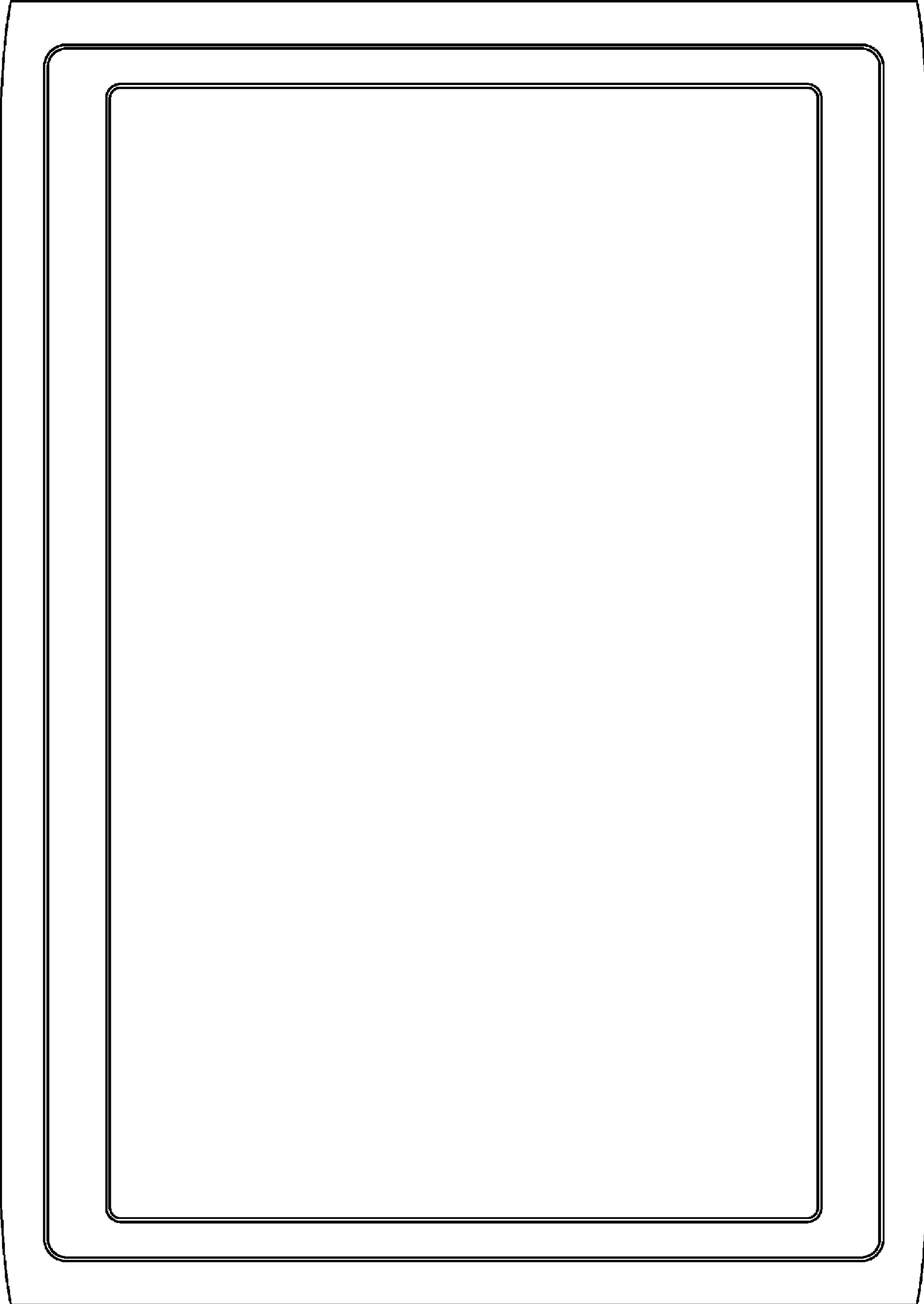


FIG. 9

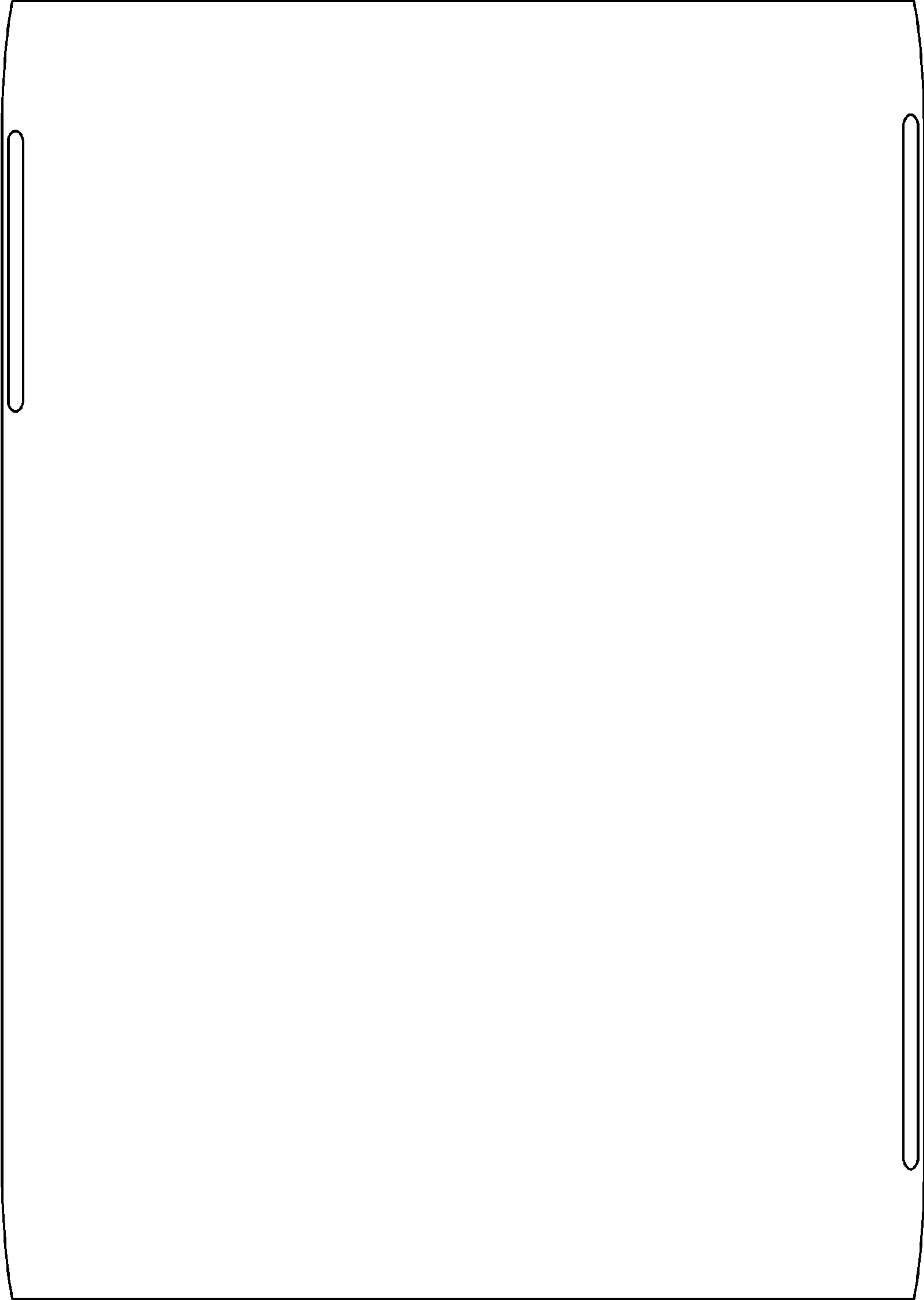


FIG. 10

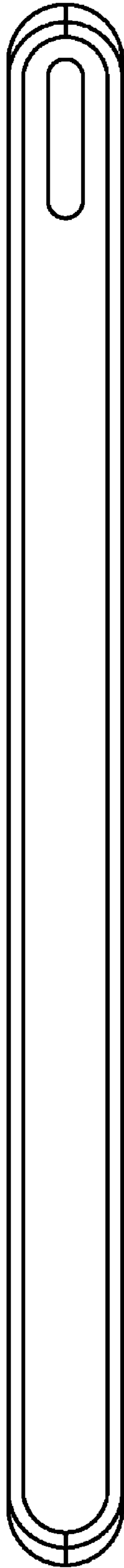


FIG. 11

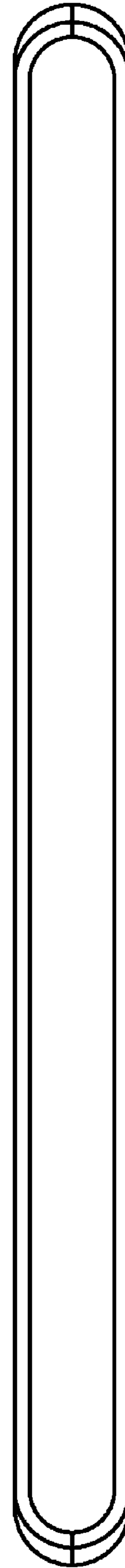


FIG. 12

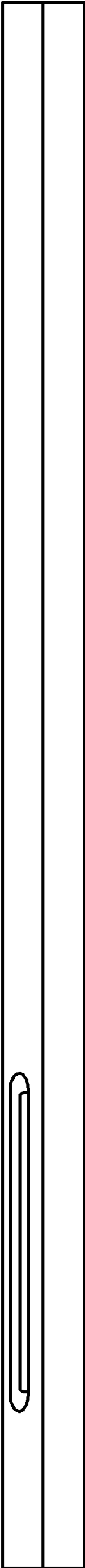


FIG. 13

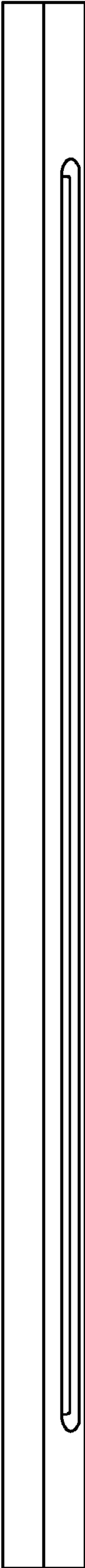


FIG. 14