



US00D634316S

(12) **United States Design Patent**
Van Den Nieuwenhuizen

(10) **Patent No.:** **US D634,316 S**
(45) **Date of Patent:** **** Mar. 15, 2011**

(54) **COMPUTING DEVICE**

(75) **Inventor:** **John Bernard Van Den Nieuwenhuizen**, San Francisco, CA (US)

(73) **Assignee:** **Hewlett-Packard Development Company, L.P.**, Houston, TX (US)

(**) **Term:** **14 Years**

(21) **Appl. No.:** **29/362,653**

(22) **Filed:** **May 28, 2010**

(51) **LOC (9) Cl.** **14-02**

(52) **U.S. Cl.** **D14/336; D14/371**

(58) **Field of Classification Search** D14/371-376, D14/125-129, 336-337, 130; D6/308, 310; 248/917-924, 176.1, 278.1; 345/104, 156, 345/173, 174, 901-905; 348/180, 184, 325, 348/739; 349/1, 2, 11, 58; 361/679.08, 679.23
See application file for complete search history.

(56) **References Cited**

U.S. PATENT DOCUMENTS

D255,745 S * 7/1980 Pedersen D6/311
D464,050 S * 10/2002 Mori D14/375

D502,179 S * 2/2005 Cha et al. D14/375
D558,460 S * 1/2008 Yu et al. D6/308
D585,399 S * 1/2009 Hwang D14/130
D592,625 S * 5/2009 Hwang D14/130
D603,862 S * 11/2009 Skinner et al. D14/337
D605,647 S * 12/2009 Chern et al. D14/336
D613,510 S * 4/2010 Tzeng et al. D6/308

* cited by examiner

Primary Examiner — Freda S Nunn

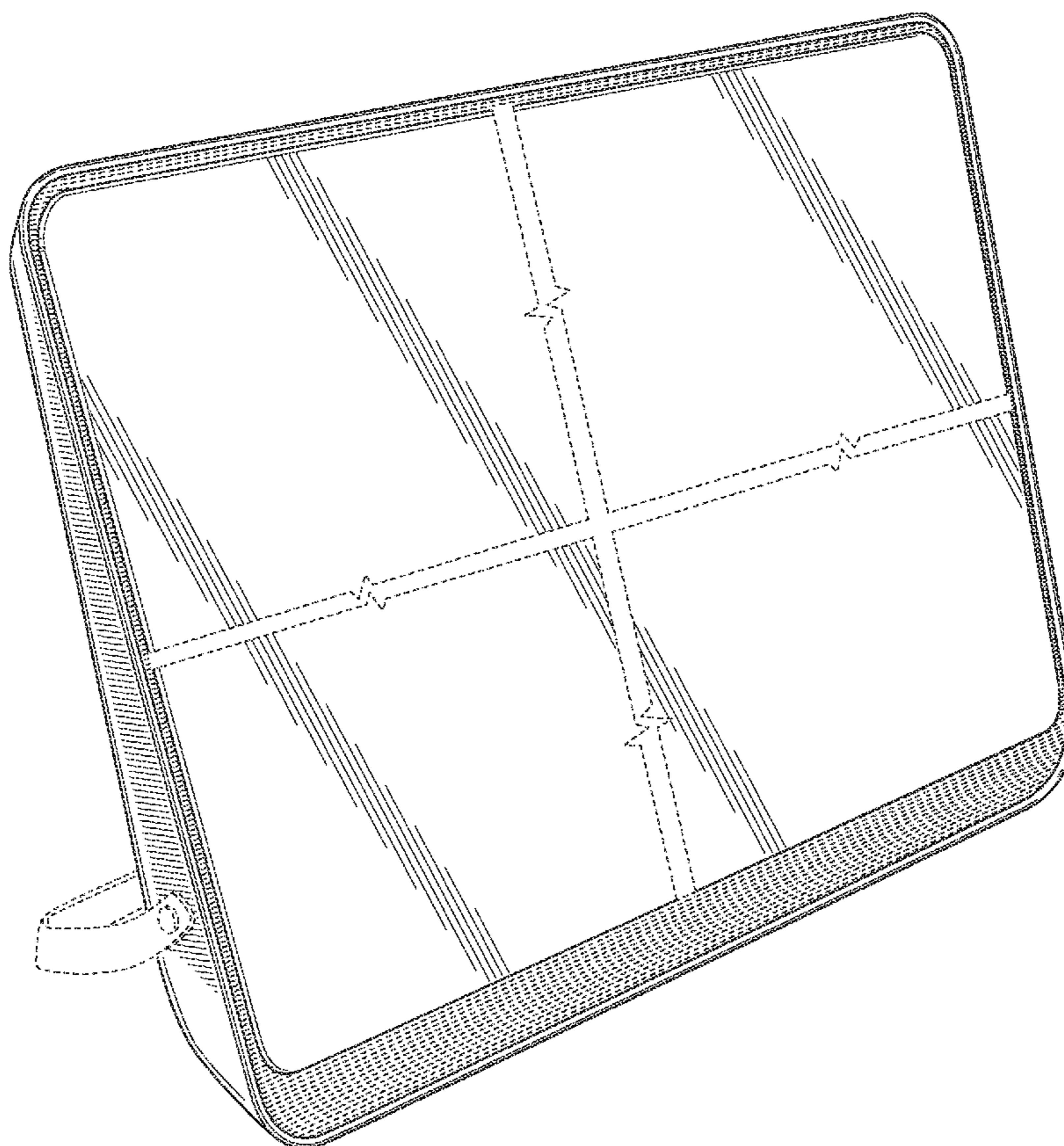
(57) **CLAIM**

I claim the ornamental design for a computing device, as shown and described.

DESCRIPTION

FIG. 1 is a perspective view of a computing device; FIG. 2 is a front elevational view thereof; FIG. 3 is a rear elevational view thereof; FIG. 4 is a right side view thereof; FIG. 5 is a left side view thereof; FIG. 6 is a top plan view thereof; FIG. 7 is a bottom plan view thereof; and, FIG. 8 is another left side view thereof with the computing device in a different state.
Dash-dash broken lines in the drawings are environmental lines while any short dash-long dash lines are boundary lines, neither of which are part of the claimed design.

1 Claim, 7 Drawing Sheets



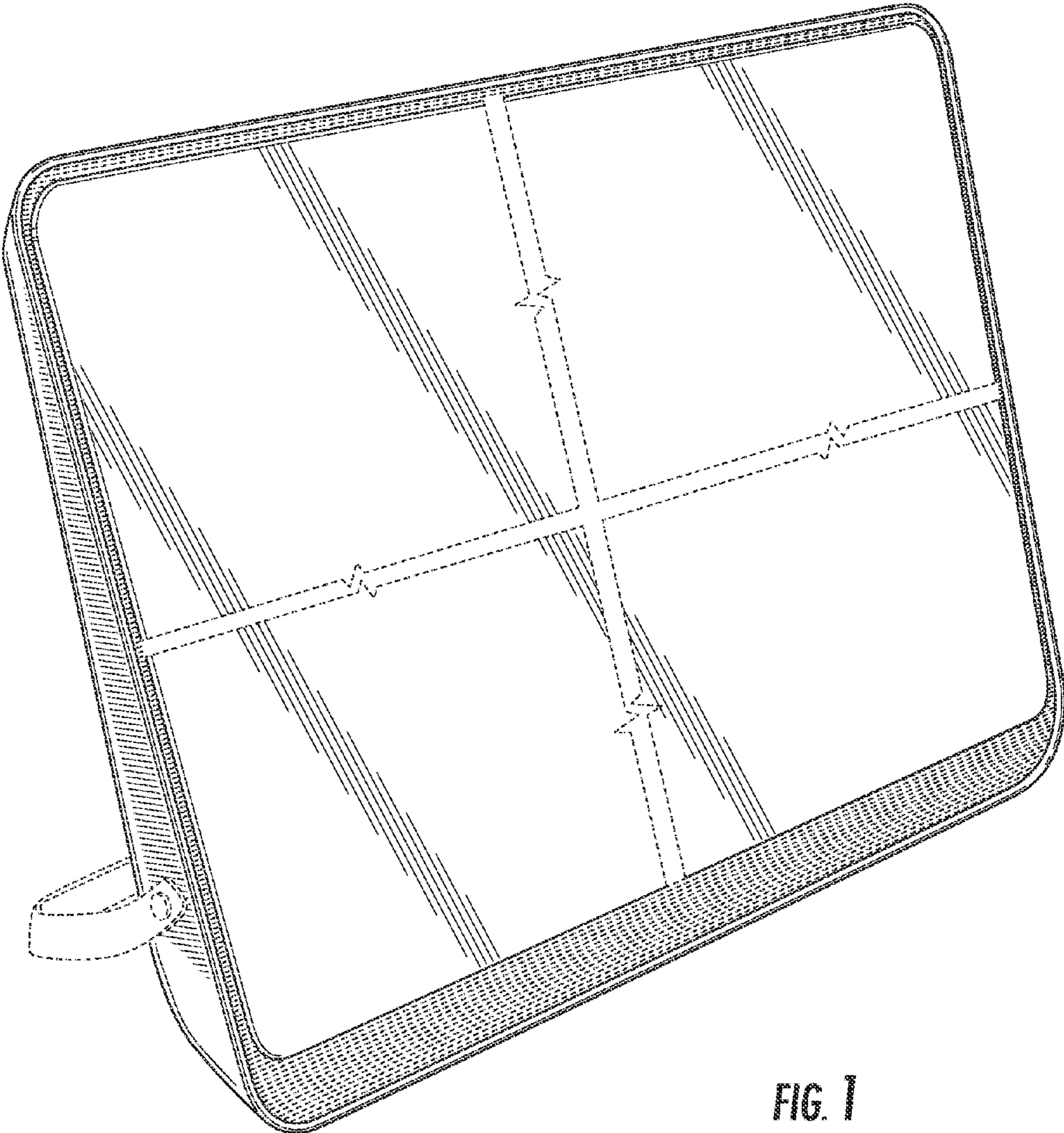


FIG. 1

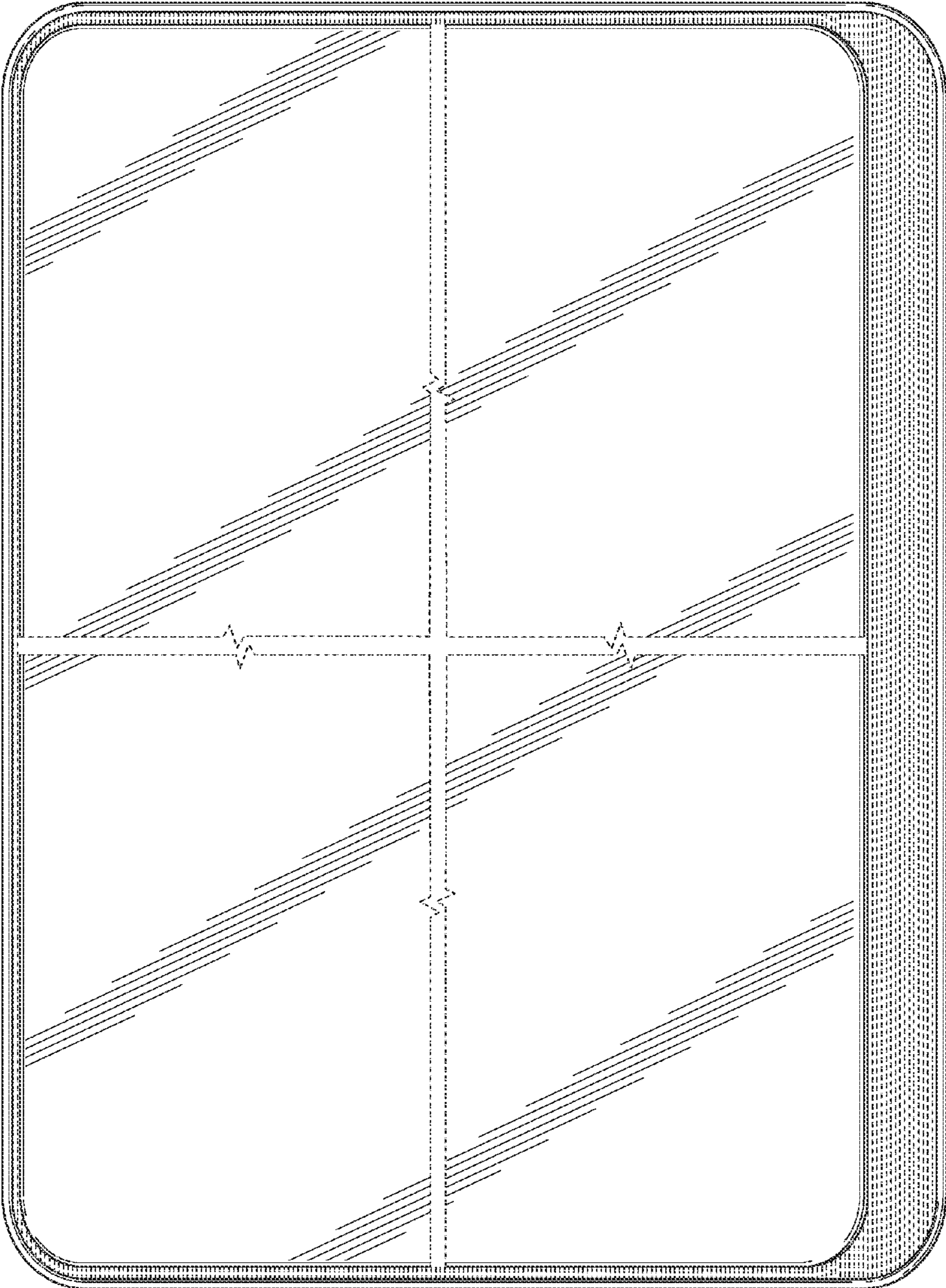


FIG. 2

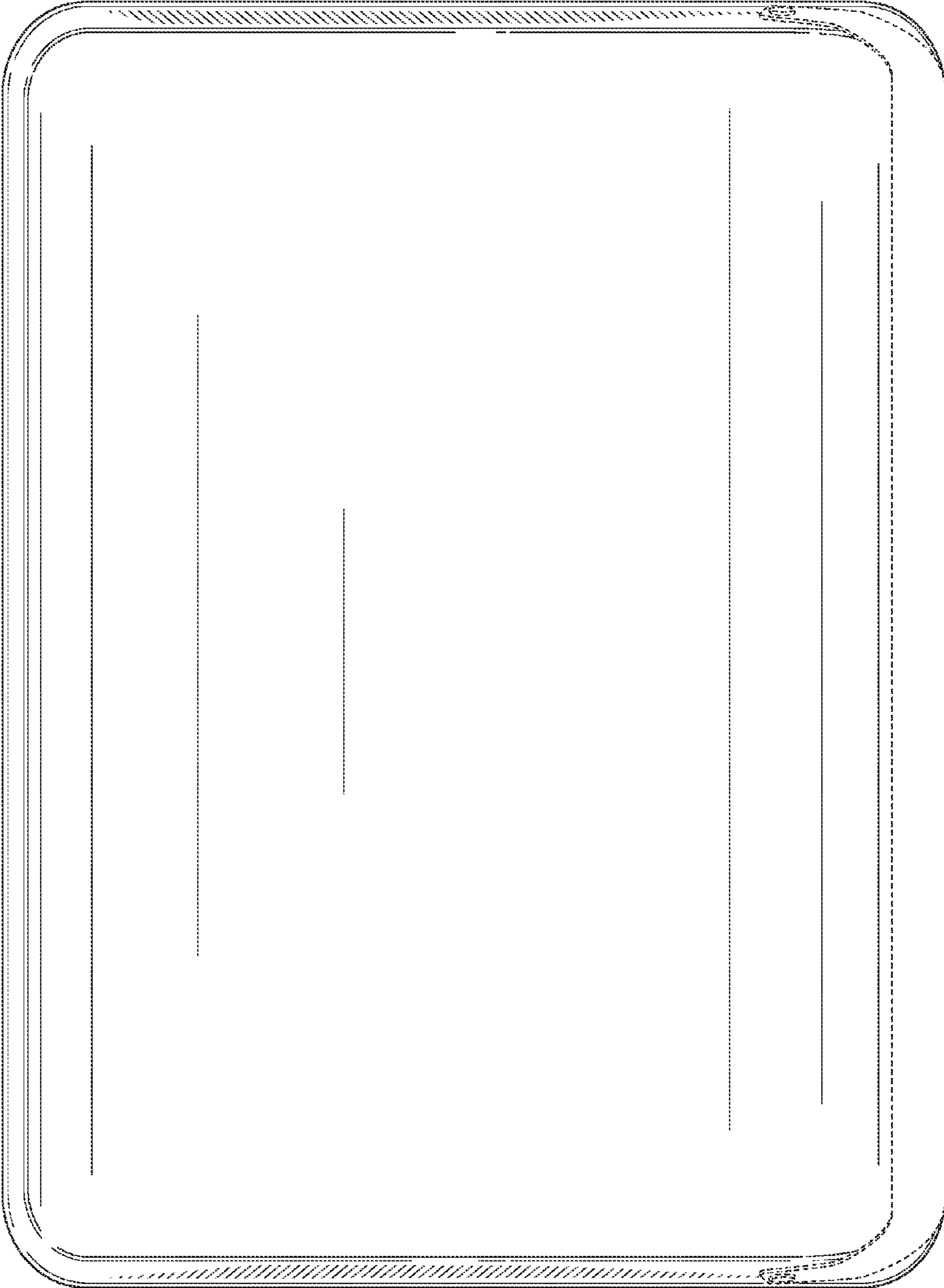


FIG. 3

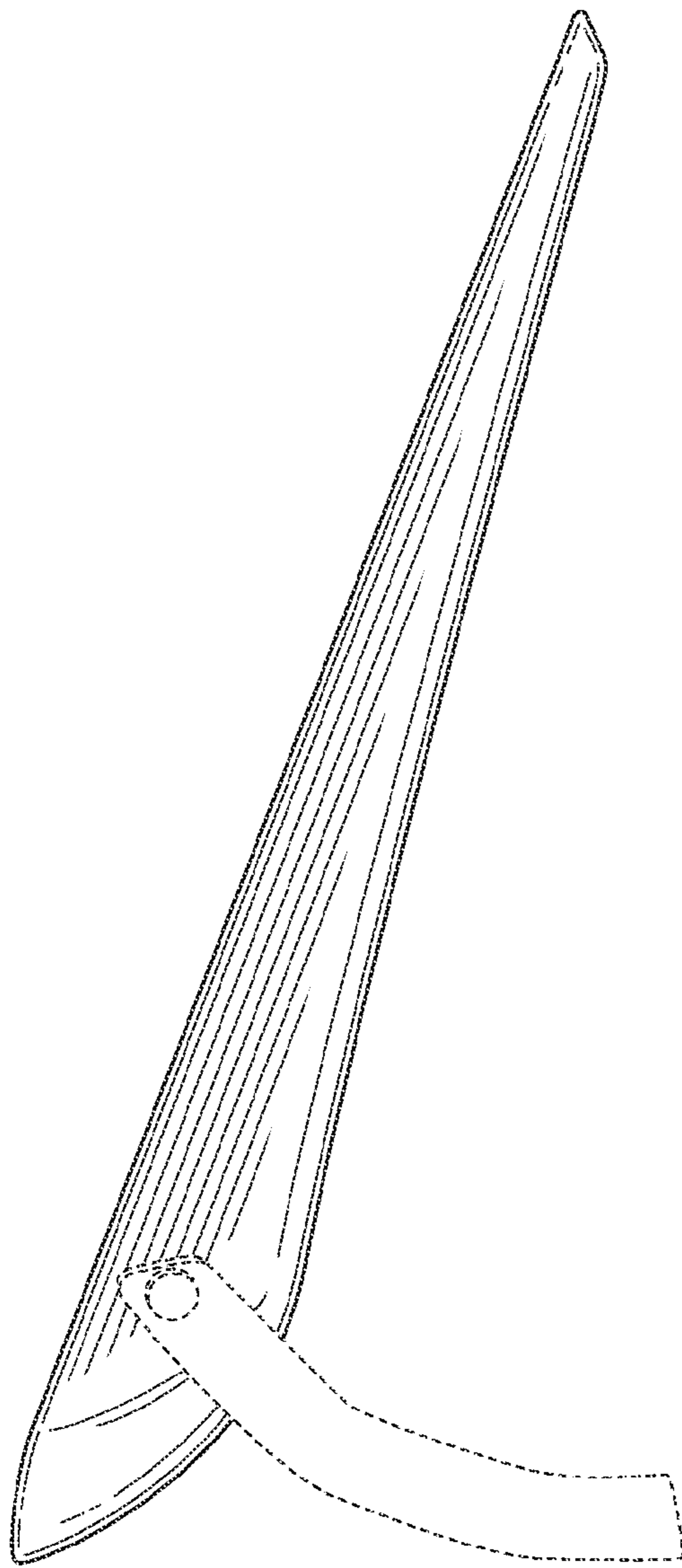


FIG. 4

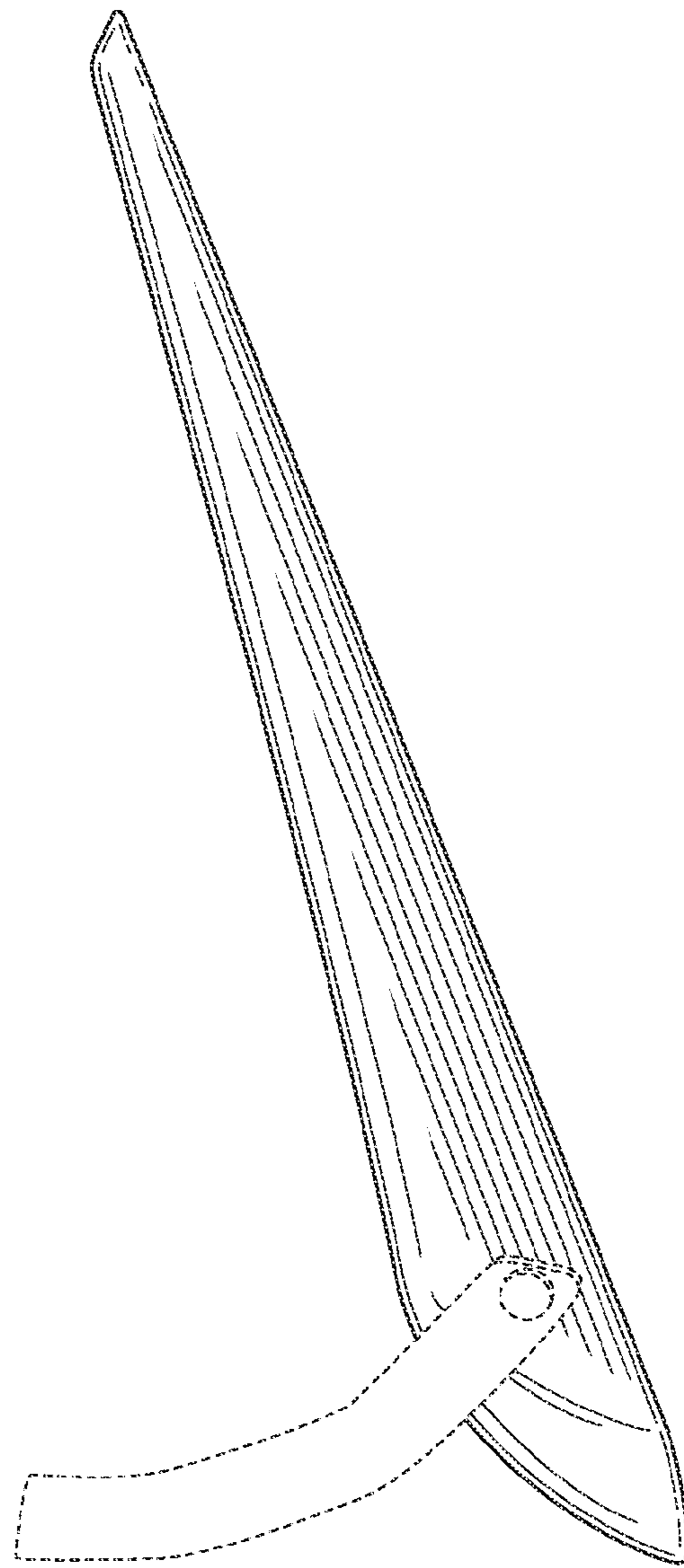


FIG. 5

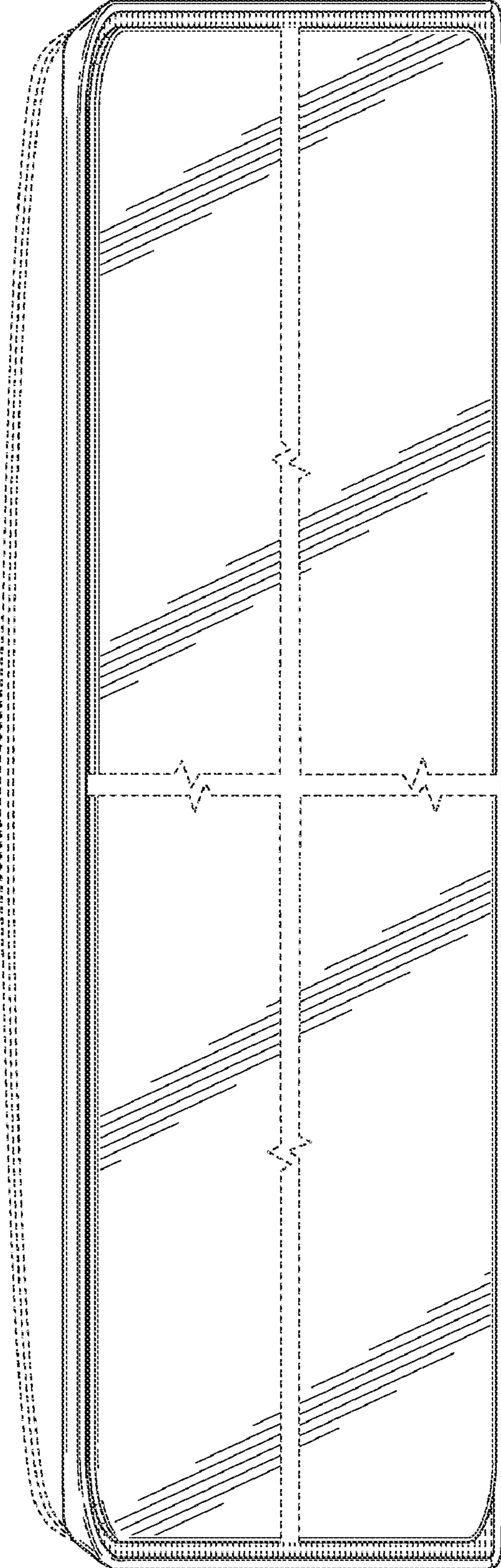


FIG. 6

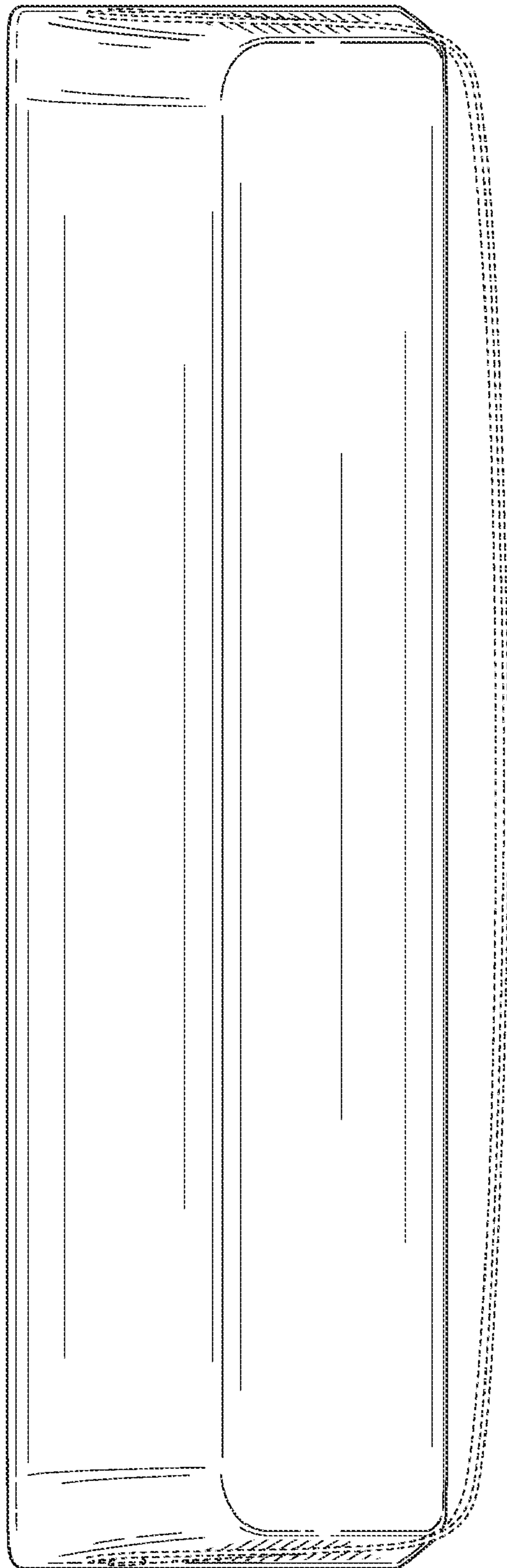


FIG. 7

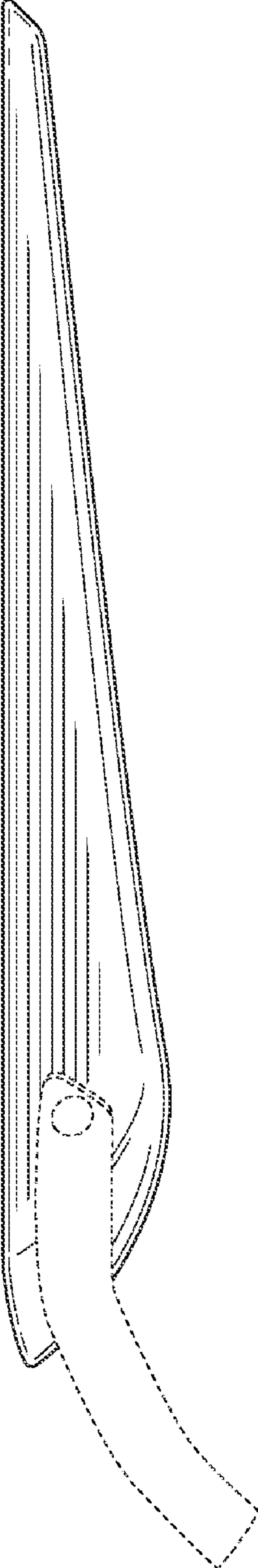


FIG. 8