



US00D634312S

(12) **United States Design Patent**  
**Dry et al.**

(10) **Patent No.:** **US D634,312 S**  
(45) **Date of Patent:** **\*\* Mar. 15, 2011**

(54) **HANDSET**

- (75) Inventors: **Jonathan Dry**, Newbury Park, CA (US);  
**Frank Nuovo**, Los Angeles, CA (US)
- (73) Assignee: **Nokia Corporation**, Espoo (FI)
- (\*\*) Term: **14 Years**
- (21) Appl. No.: **29/378,521**
- (22) Filed: **Nov. 5, 2010**

**Related U.S. Application Data**

- (62) Division of application No. 29/358,747, filed on Mar. 31, 2010, now Pat. No. Des. 628,552.
- (51) **LOC (9) Cl.** ..... **14-03**
- (52) **U.S. Cl.** ..... **D14/248**
- (58) **Field of Classification Search** ..... D14/138 AA,  
D14/138 AB, 138 R, 138 AD, 138 AC, 138 G,  
D14/341, 345, 346, 203.4, 203.7, 203.1, 203.3,  
D14/496, 248; 455/575.3, 575.1, 575.4,  
455/556.2; 379/433.01, 433.04, 433.1, 433.13;  
D21/517  
See application file for complete search history.

(56) **References Cited**

**U.S. PATENT DOCUMENTS**

D465,774 S	11/2002	Nuovo	
D485,261 S *	1/2004	Salmi	D14/248
D490,410 S *	5/2004	Sheu	D14/248
D496,921 S	10/2004	Hwang	
D499,709 S	12/2004	Nuovo et al.	
D501,454 S *	2/2005	Nuovo et al.	D14/138 AA
D511,334 S *	11/2005	Winebrenner et al.	D14/138 AA
D515,536 S	2/2006	Lee et al.	
D517,057 S *	3/2006	Nuovo et al.	D14/248
7,027,844 B2	4/2006	Nuovo	
D536,681 S	2/2007	Surtouc	
D538,770 S	3/2007	Lyles	
D543,530 S	5/2007	Ahn et al.	
D549,677 S	8/2007	Fahlgren	

(Continued)

**OTHER PUBLICATIONS**

Vertu Constellation Quest telephone, announced Oct. 2010, [online], [site visited Dec. 12, 2010]. Available from Internet, <URL: http://www.gsmarena.com>.\*

(Continued)

*Primary Examiner* — Jeffrey D Asch

(74) *Attorney, Agent, or Firm* — Banner & Witcoff., Ltd.

(57) **CLAIM**

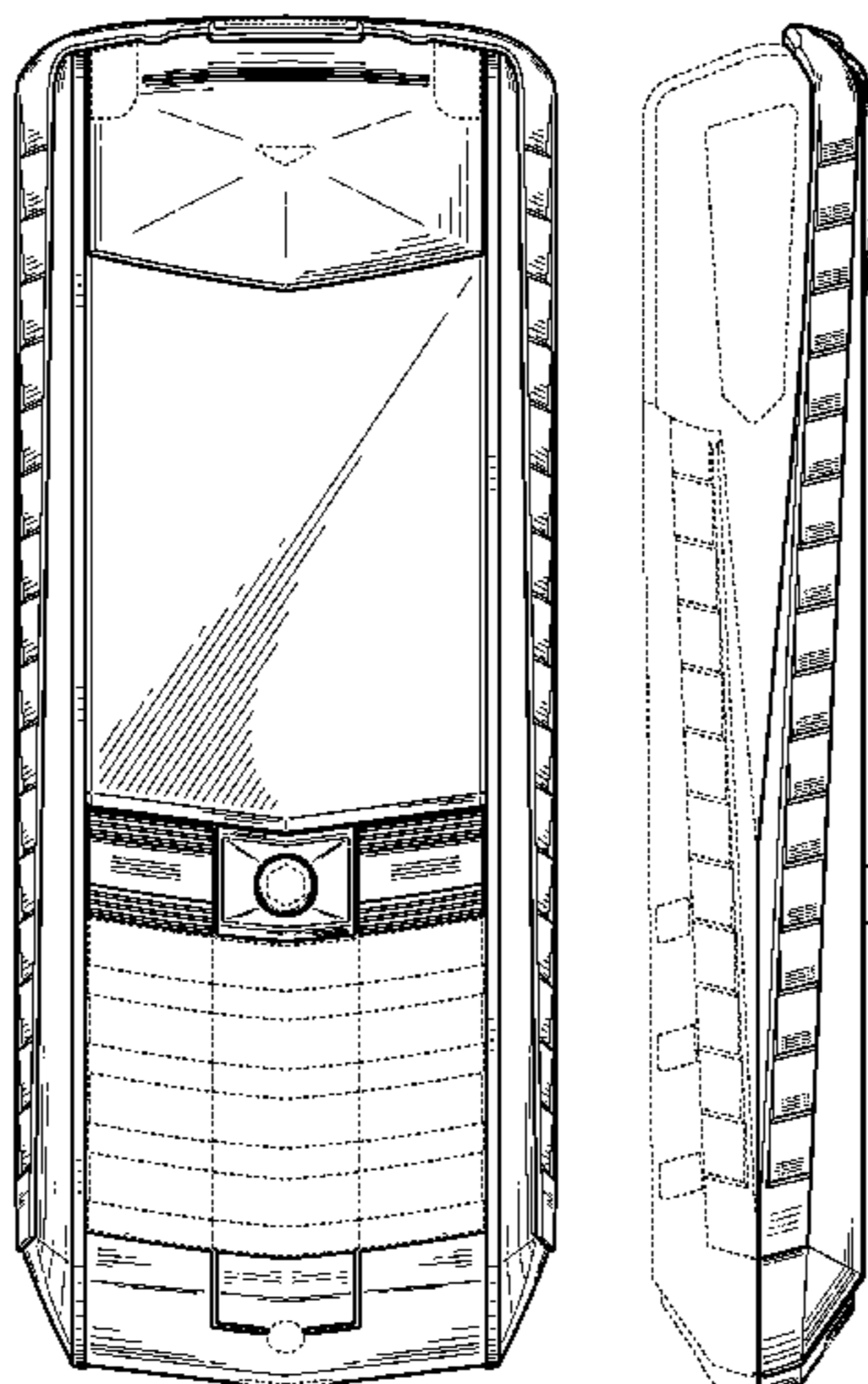
The ornamental design for a handset, as shown and described.

**DESCRIPTION**

FIG. 1 is a perspective front view of a handset showing our new design;  
 FIG. 2 is a perspective rear view thereof;  
 FIG. 3 is a front view thereof;  
 FIG. 4 is a rear view thereof;  
 FIG. 5 is a left side view thereof;  
 FIG. 6 is a right side view thereof;  
 FIG. 7 is top view thereof;  
 FIG. 8 is a bottom view thereof;  
 FIG. 9 is a perspective front view of a second embodiment of the handset of FIGS. 1-8 showing our new design;  
 FIG. 10 is a perspective rear view thereof;  
 FIG. 11 is a front view thereof;  
 FIG. 12 is a rear view thereof;  
 FIG. 13 is a left side view thereof;  
 FIG. 14 is a right side view thereof;  
 FIG. 15 is top view thereof; and,  
 FIG. 16 is a bottom view thereof.

The broken lines shown throughout the views that are immediately adjacent to the shaded areas, and define unshaded regions, represent the bounds of the embodiment in which they are shown, while all other broken lines are directed to environment and are for illustrative purposes only; the broken lines form no part of the embodiment in which they are shown.

**1 Claim, 12 Drawing Sheets**



U.S. PATENT DOCUMENTS

D568,849	S	5/2008	Nuovo	
D572,693	S	7/2008	Miake	
D576,584	S	9/2008	Buckle et al.	
D576,598	S *	9/2008	Lim et al. ....	D14/138 AA
D579,909	S	11/2008	Huang et al.	
D580,900	S	11/2008	Wong et al.	
D583,350	S	12/2008	Park et al.	
D588,563	S	3/2009	Oh et al.	
D588,564	S	3/2009	Pegon et al.	
D597,046	S *	7/2009	Millora .....	D14/138 AA
D601,981	S	10/2009	Kim et al.	
D604,283	S	11/2009	Nuovo et al.	
D605,618	S	12/2009	Nuovo et al.	
D608,319	S	1/2010	Nuovo	
D609,672	S	2/2010	Lee et al.	
D610,110	S *	2/2010	Lee et al. ....	D14/138 AA
D610,121	S	2/2010	Lee et al.	
D611,022	S	3/2010	Puhalla et al.	
D615,517	S	5/2010	Kim et al.	
D618,195	S	6/2010	Behling	
D620,911	S	8/2010	Kim et al.	
D626,934	S *	11/2010	Lee et al. ....	D14/138 AA
D628,552	S *	12/2010	Nuovo et al. ....	D14/138 AA

OTHER PUBLICATIONS

Nokia 7500 Prism, Nokia Corporation, 1 color sheet of photographs, disclosed on or about Jul. 2007.  
 Nokia 7900 Prism, Nokia Corporation, 1 color sheet of photographs, disclosed on or about Aug. 2007.  
 Nokia Vertu Ascent TI, Nokia Corporation, 1 color sheet of photographs, disclosed on or about 2004.

Nokia Vertu Constellation, Nokia Corporation, 1 color sheet of photographs, disclosed on or about Oct. 2006.  
 Nokia Vertu Signature, Nokia Corporation, 1 color sheet of photographs, disclosed on or about 2003.  
 Nokia Vertu Ascent Ti telephone, announced Jul. 2007, [online], [site visited Sep. 22, 2010]. Available from Internet, <URL: <http://www.gsmarena.com>>.  
 Nokia Vertu Ascent 2010 telephone, announced Apr. 2010, [online], [site visited Sep. 22, 2010]. Available from Internet, <URL: <http://www.gsmarena.com>>.  
 Nokia Vertu Ascent telephone, announced 2004, [online], [site visited Sep. 22, 2010]. Available from Internet, <URL: <http://www.gsmarena.com>>.  
 Philips 568 telephone, announced 4th quarter 2004, [online], [site visited Sep. 22, 2010]. Available from Internet, <URL: <http://www.gsmarena.com>>.  
 Nokia Vertu Signature S telephone, announced 2007, [online], [site visited Sep. 22, 2010]. Available from Internet, <URL: <http://www.gsmarena.com>>.  
 Pantech PG-1900 telephone, announced May 2006, [online], [site visited Sep. 22, 2010]. Available from Internet, <URL: <http://www.gsmarena.com>>.  
 LG GS155 telephone, announced Mar. 2010, [online], [site visited Sep. 22, 2010]. Available from Internet, <URL: <http://www.gsmarena.com>>.  
 LG GB190 telephone, announced Oct. 2009, [online], [site visited Sep. 22, 2010]. Available from Internet, <URL: <http://www.gsmarena.com>>.

\* cited by examiner

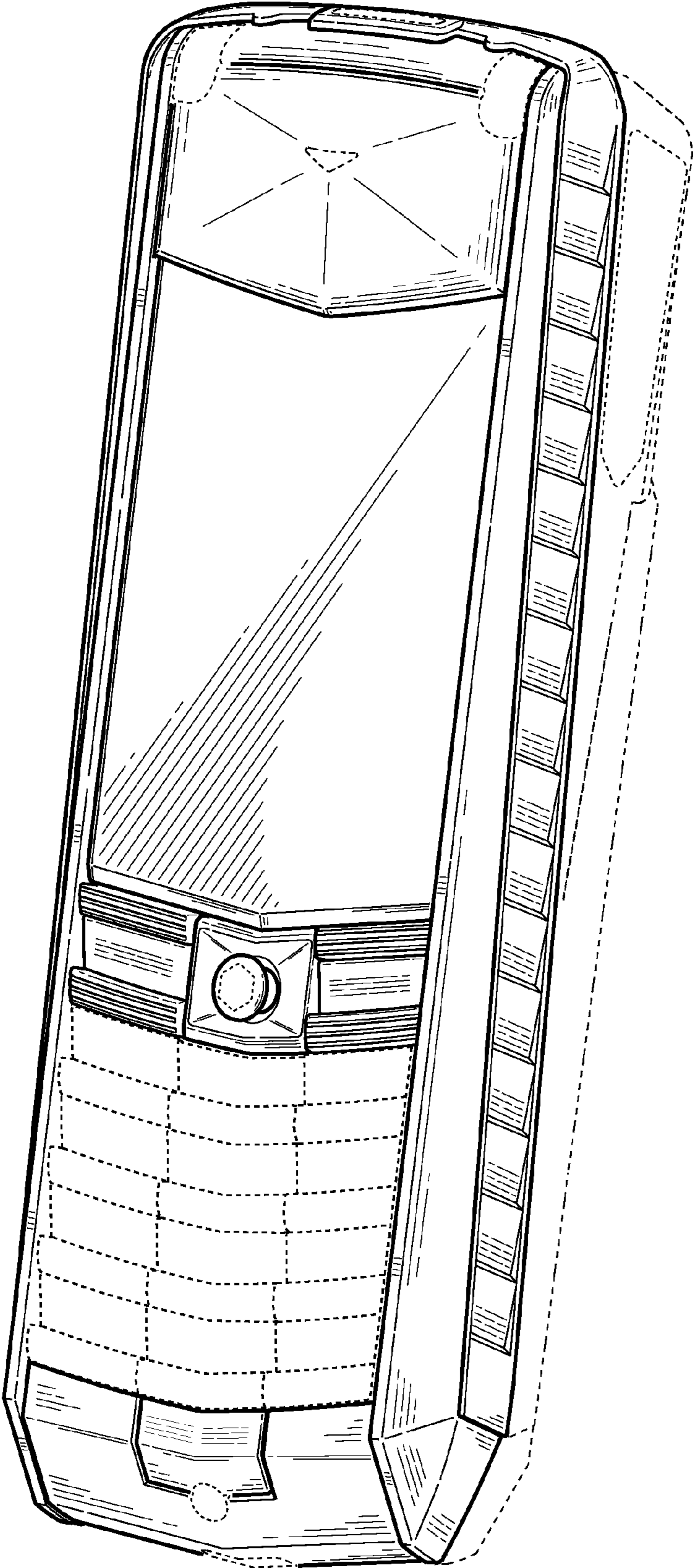


FIG. 1

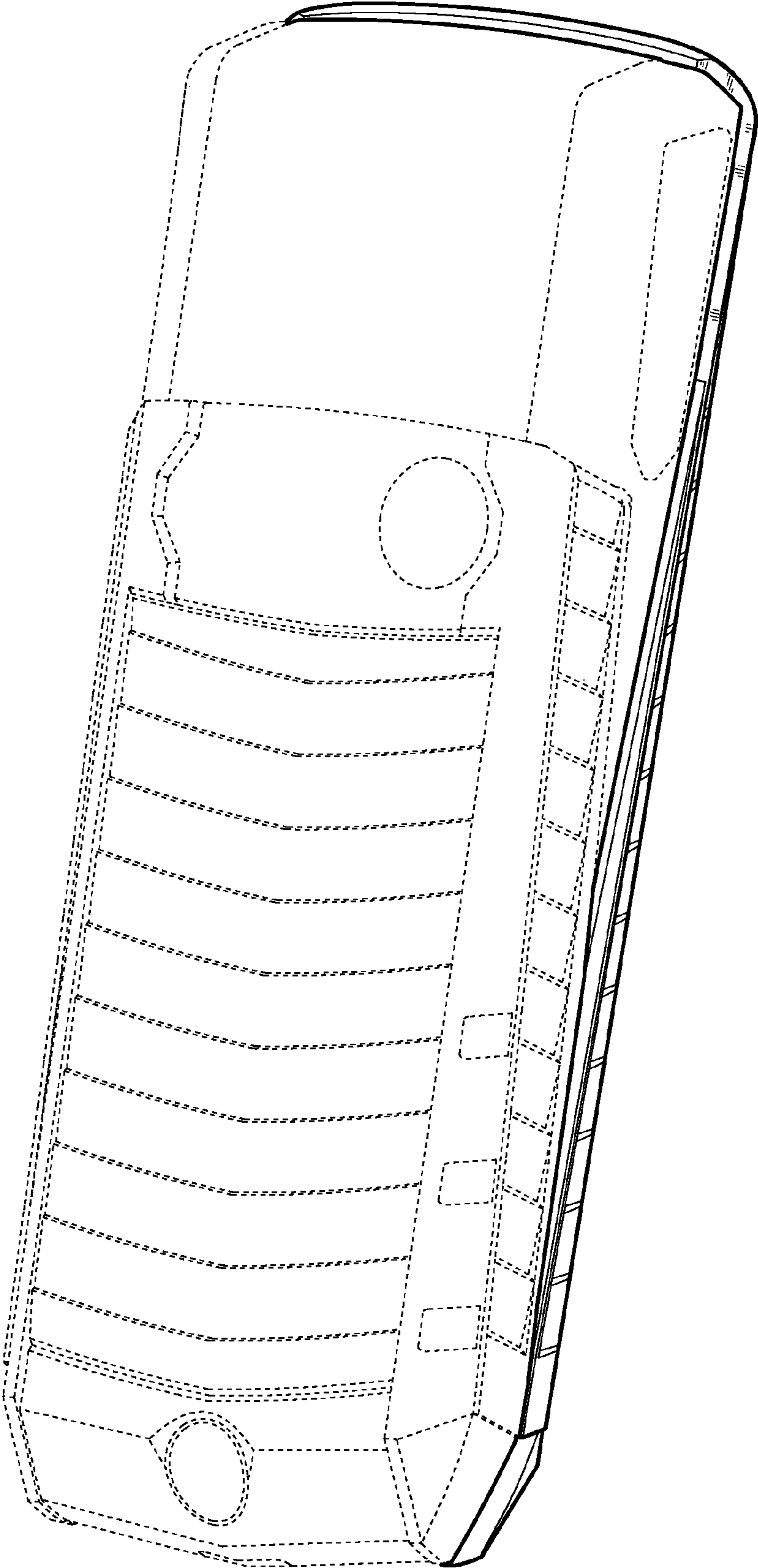


FIG. 2

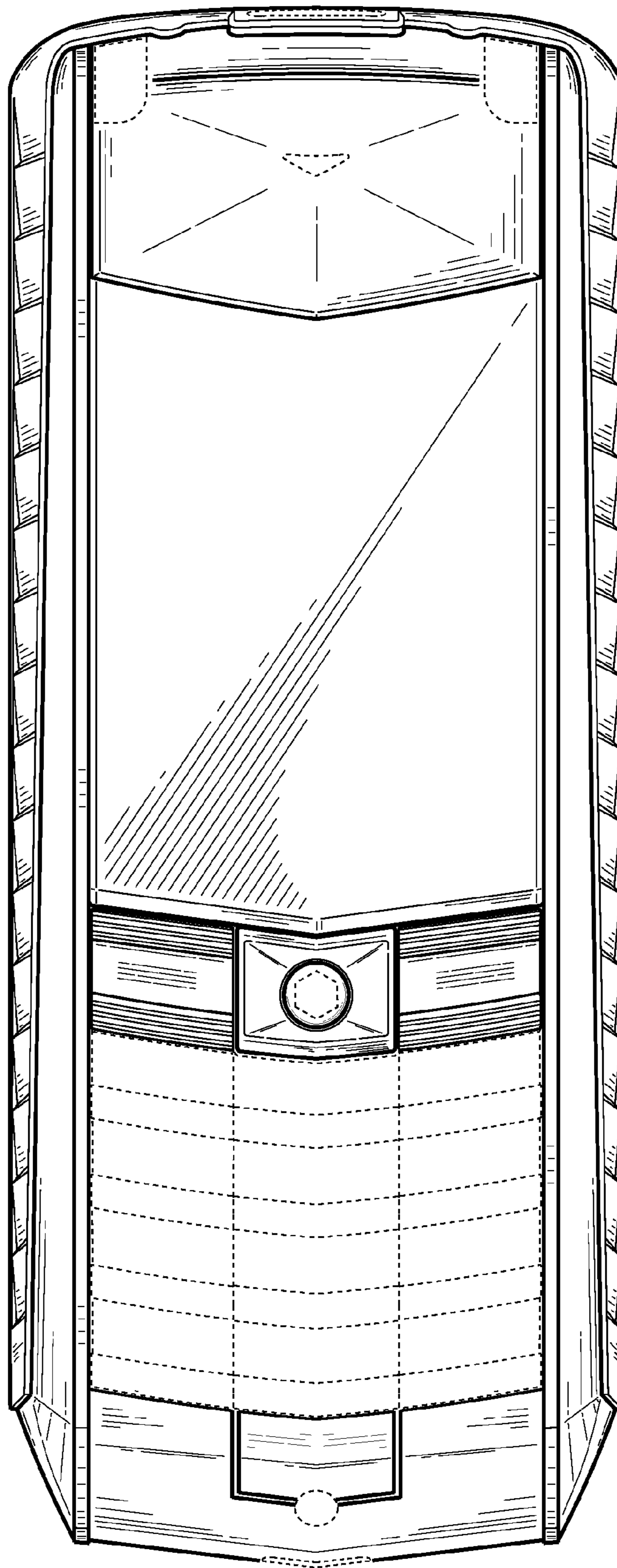


FIG. 3

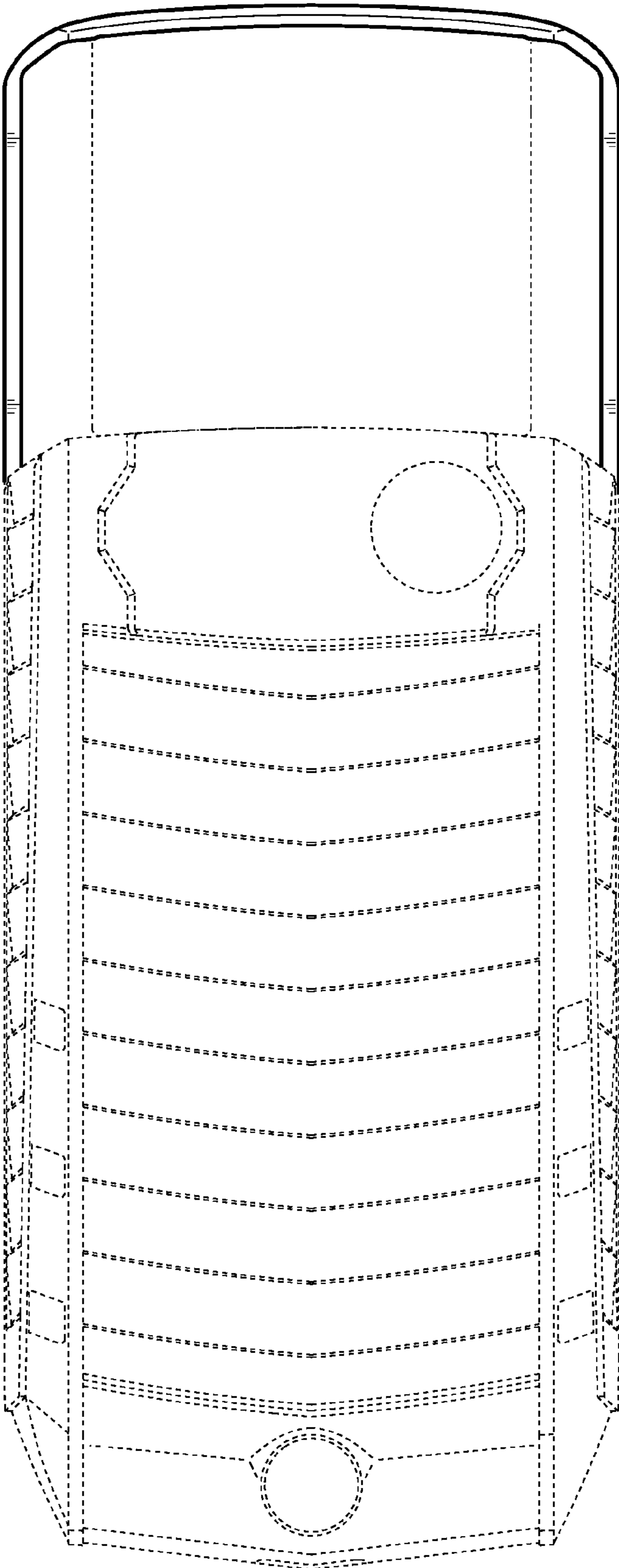


FIG. 4

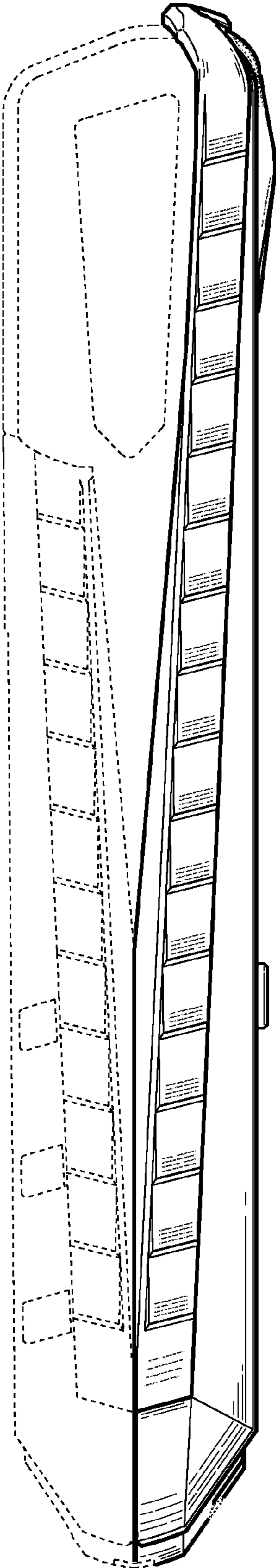


FIG. 5

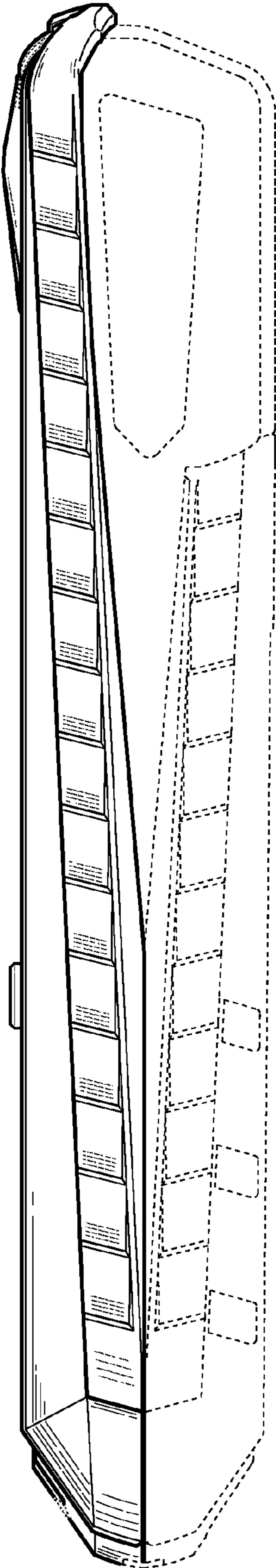


FIG. 6

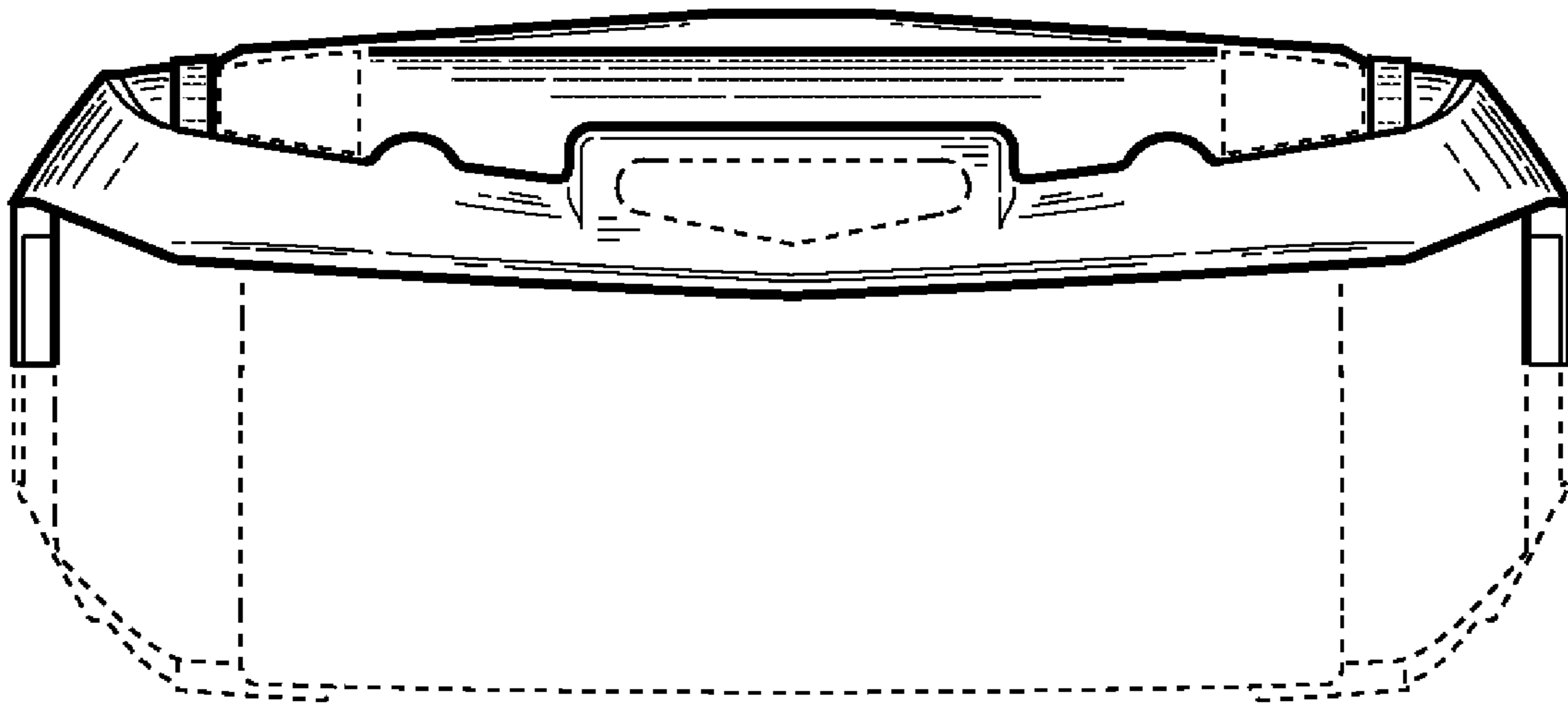


FIG. 7

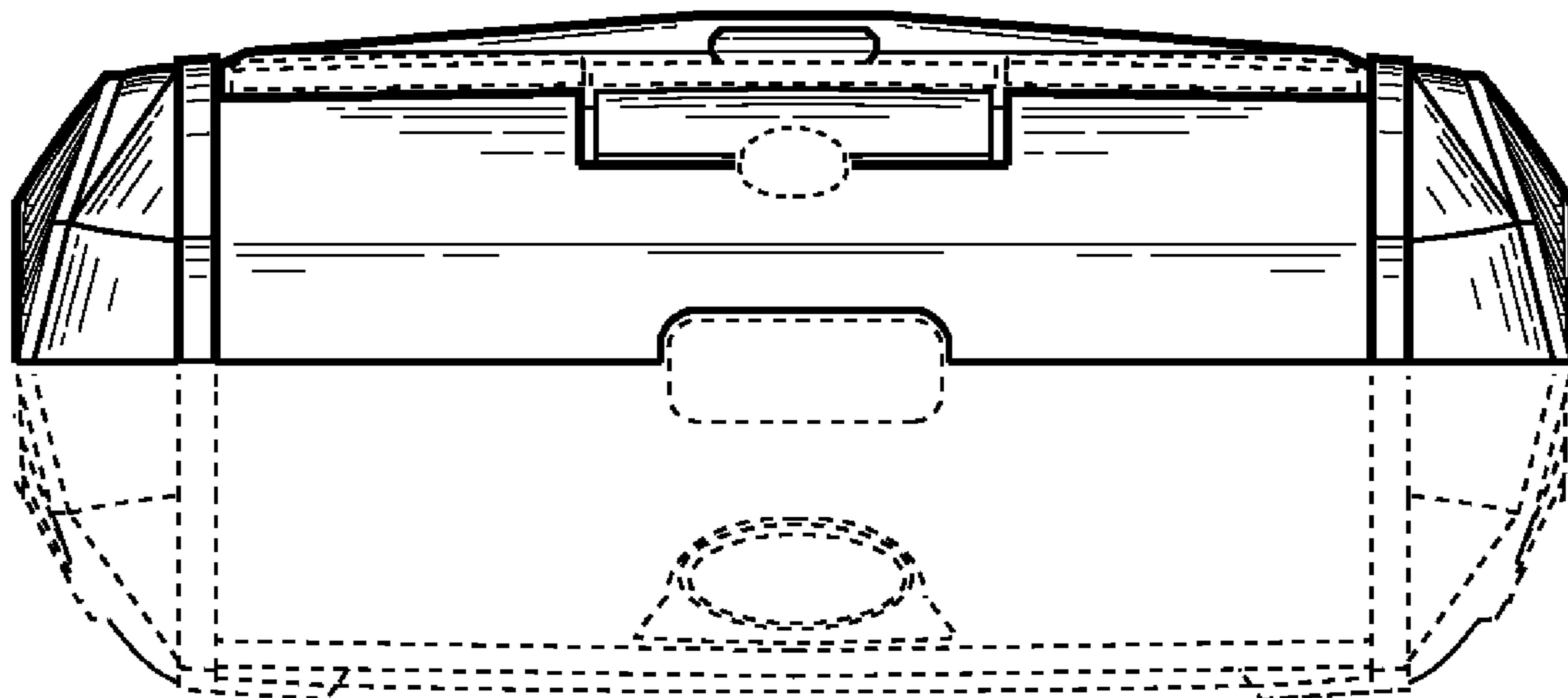


FIG. 8



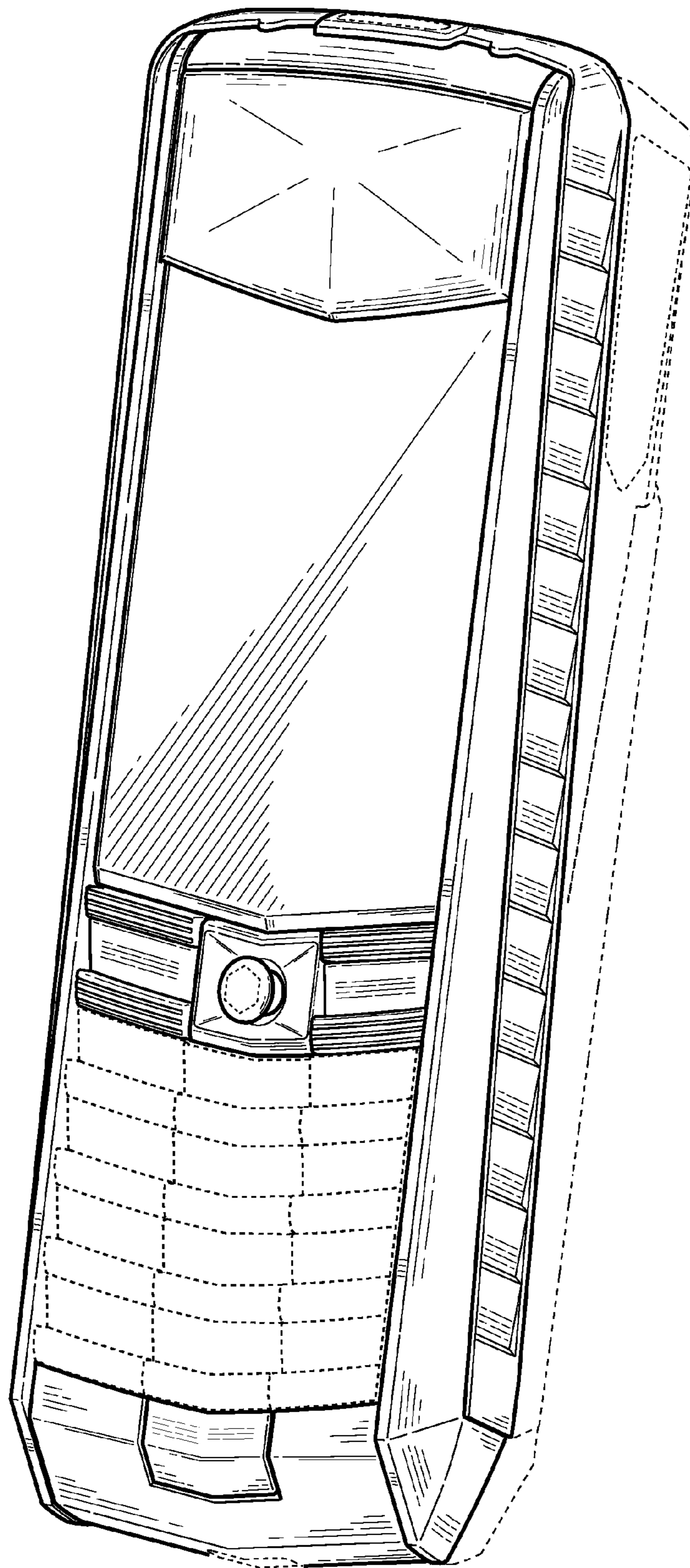


FIG. 9

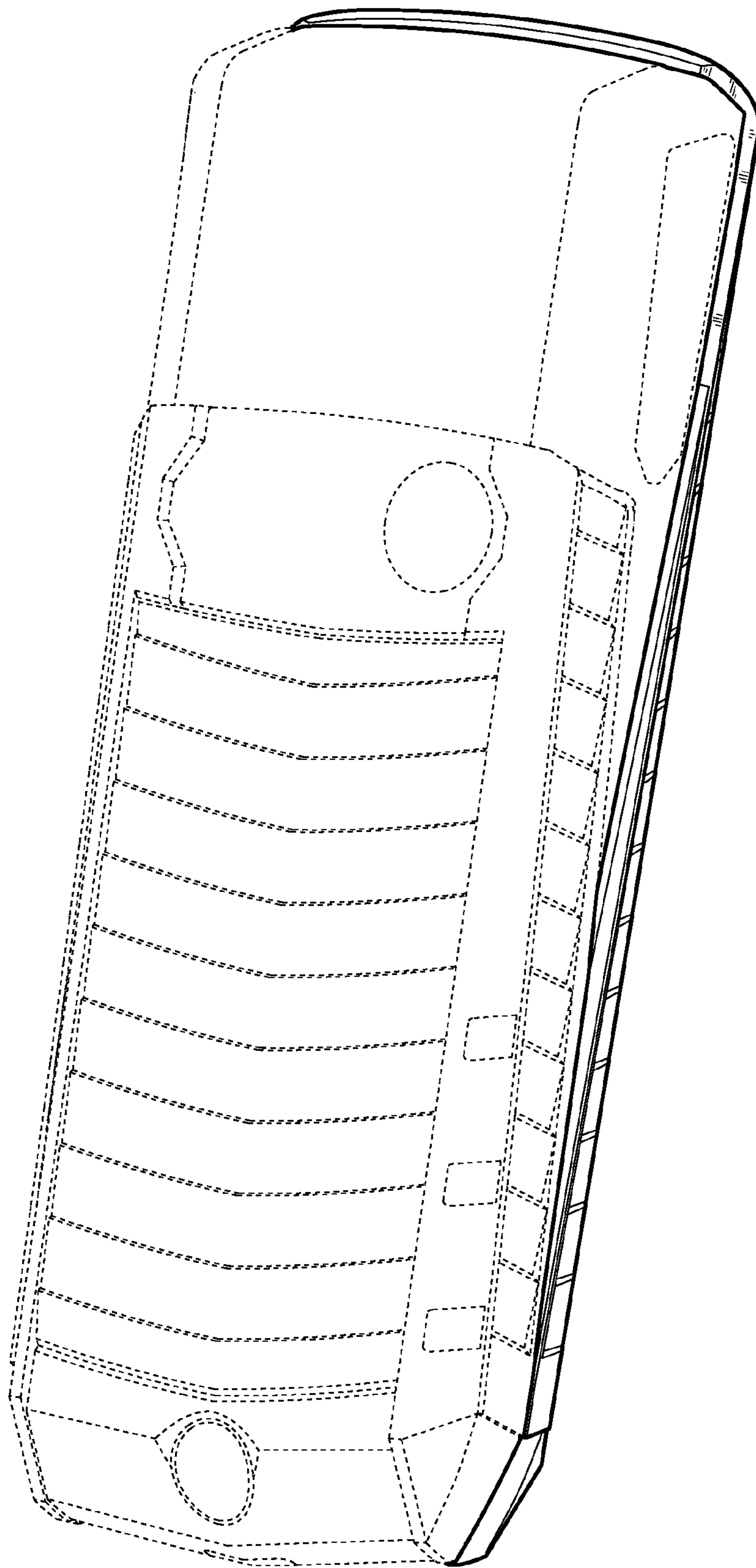


FIG. 10

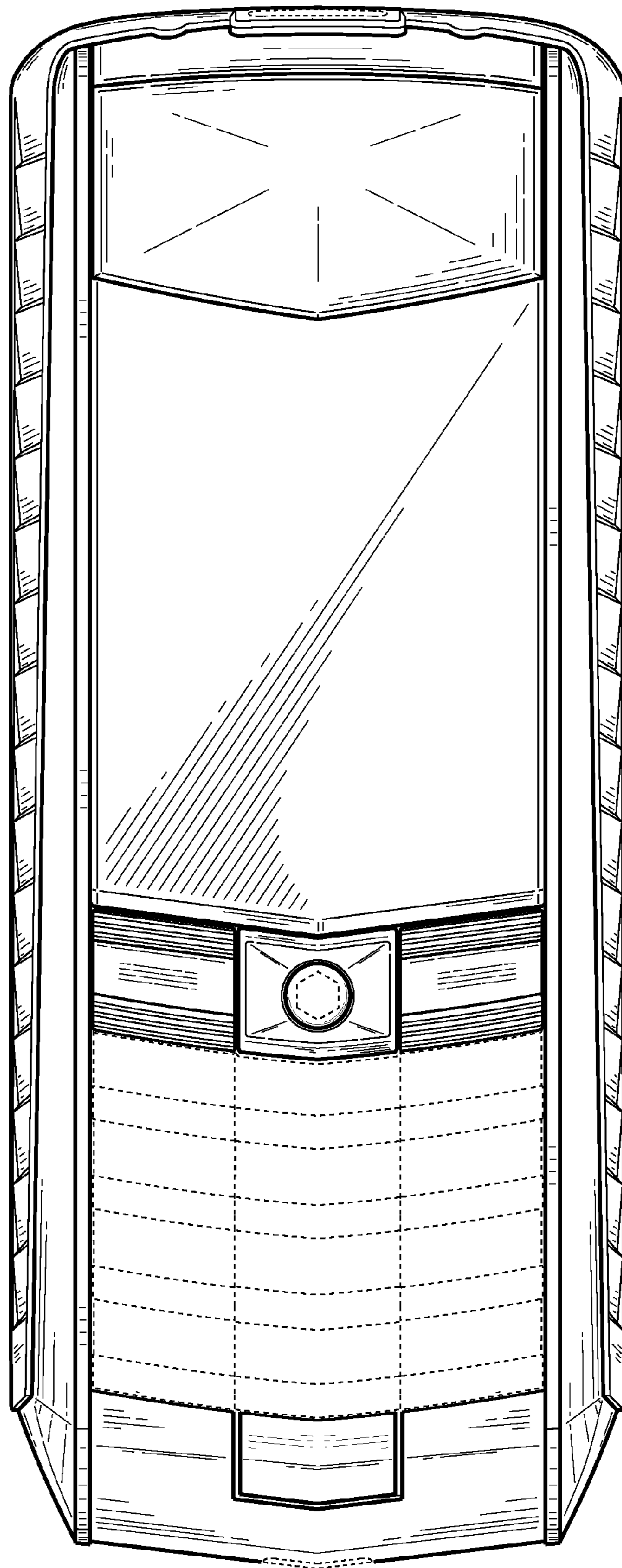


FIG. 11

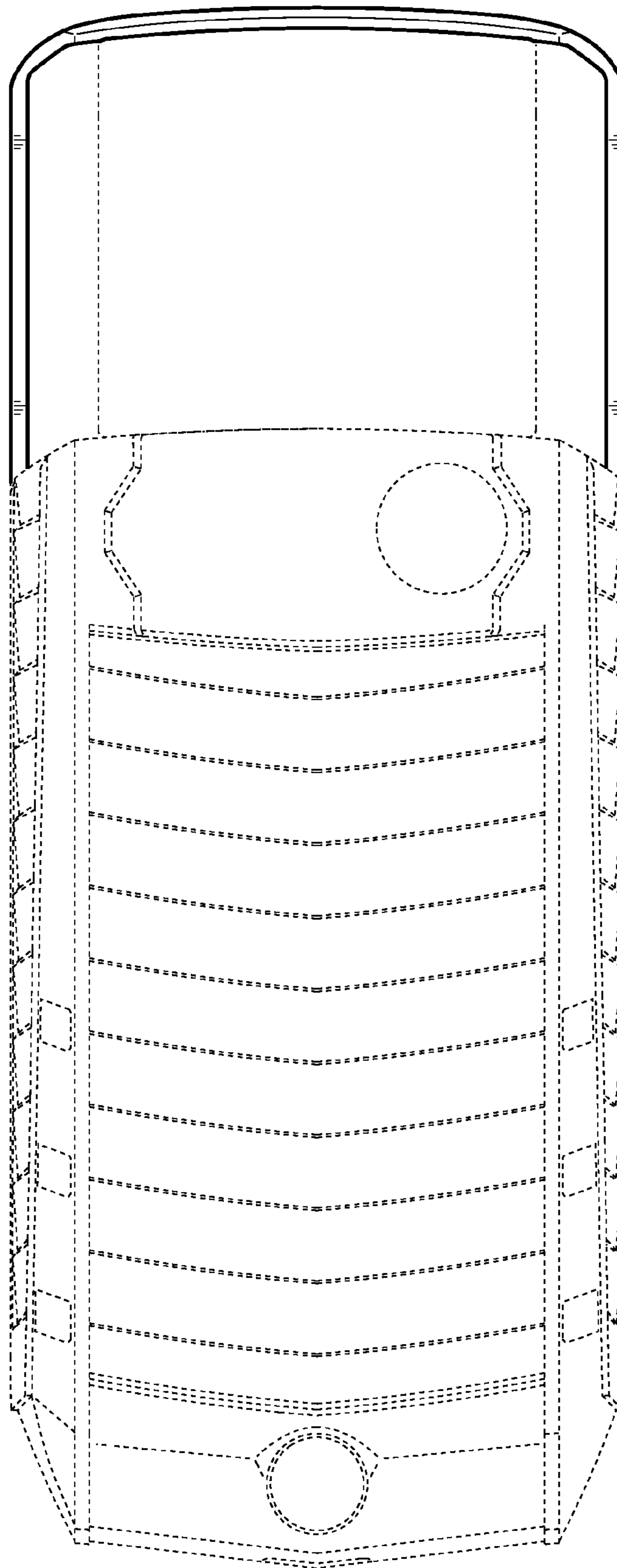


FIG. 12

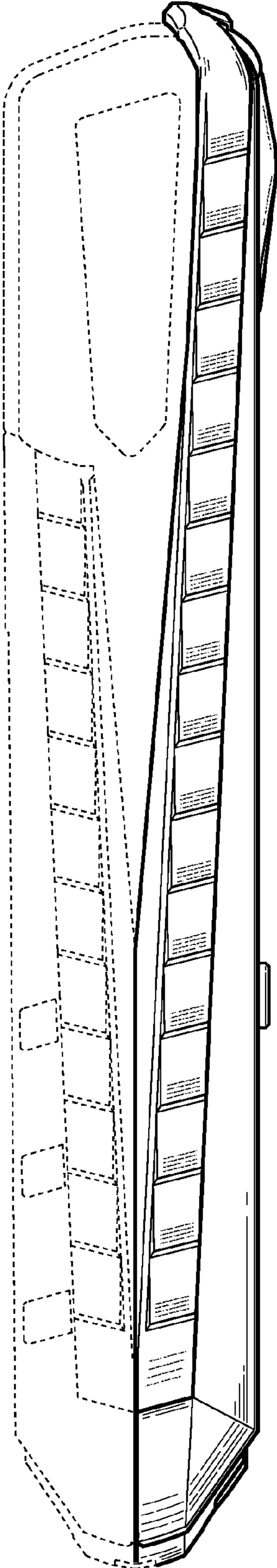


FIG. 13

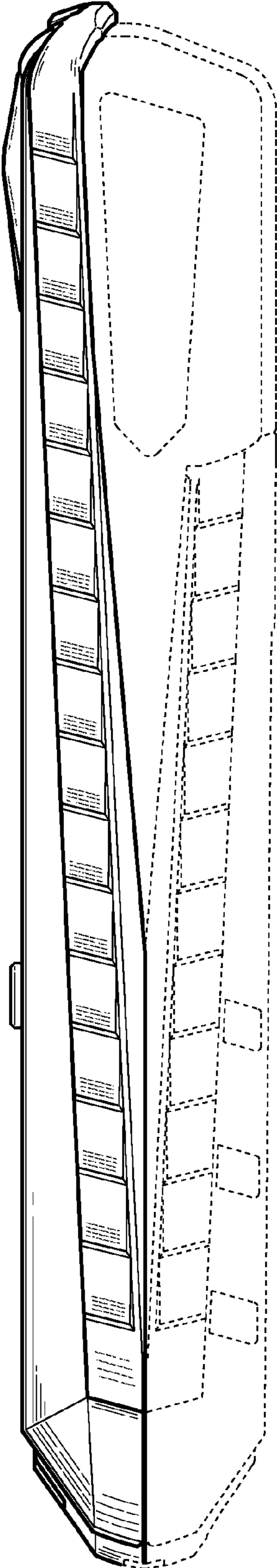


FIG. 14

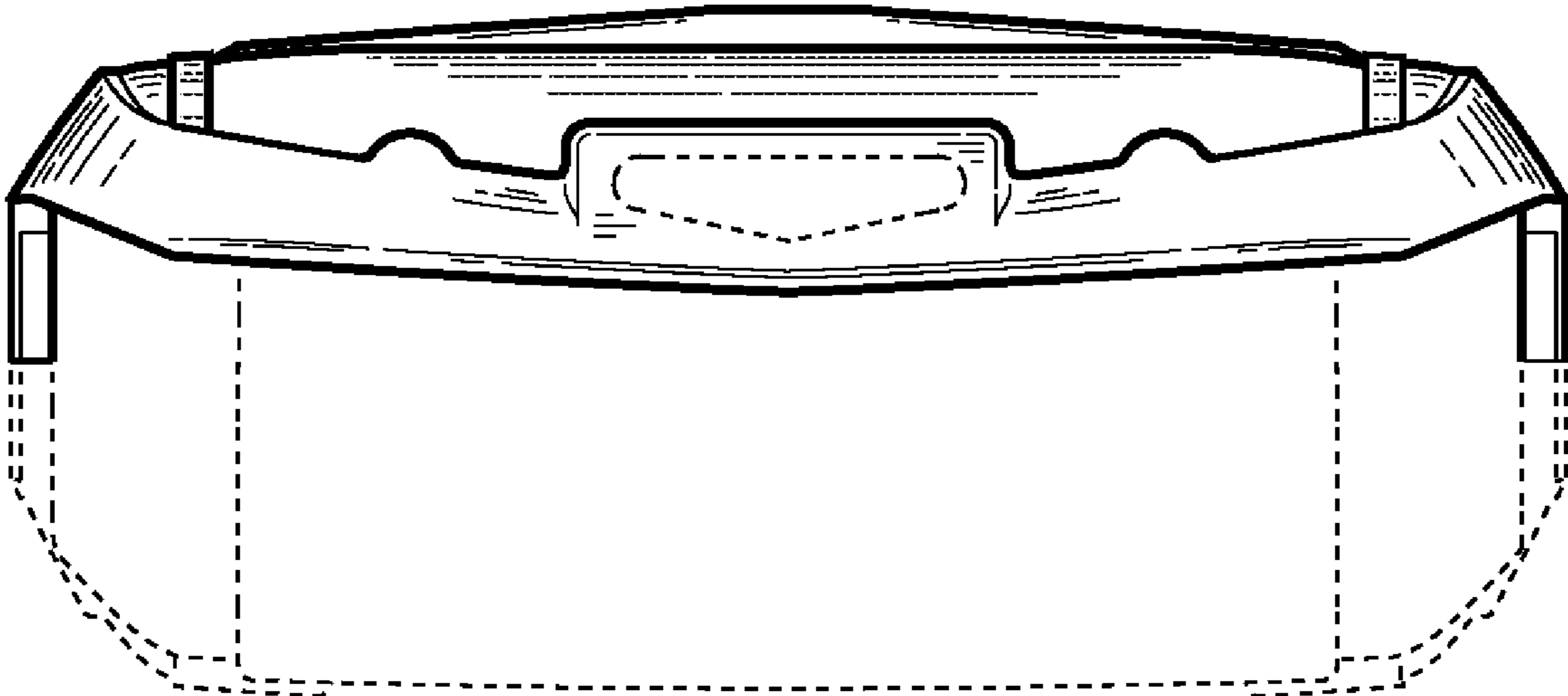


FIG. 15

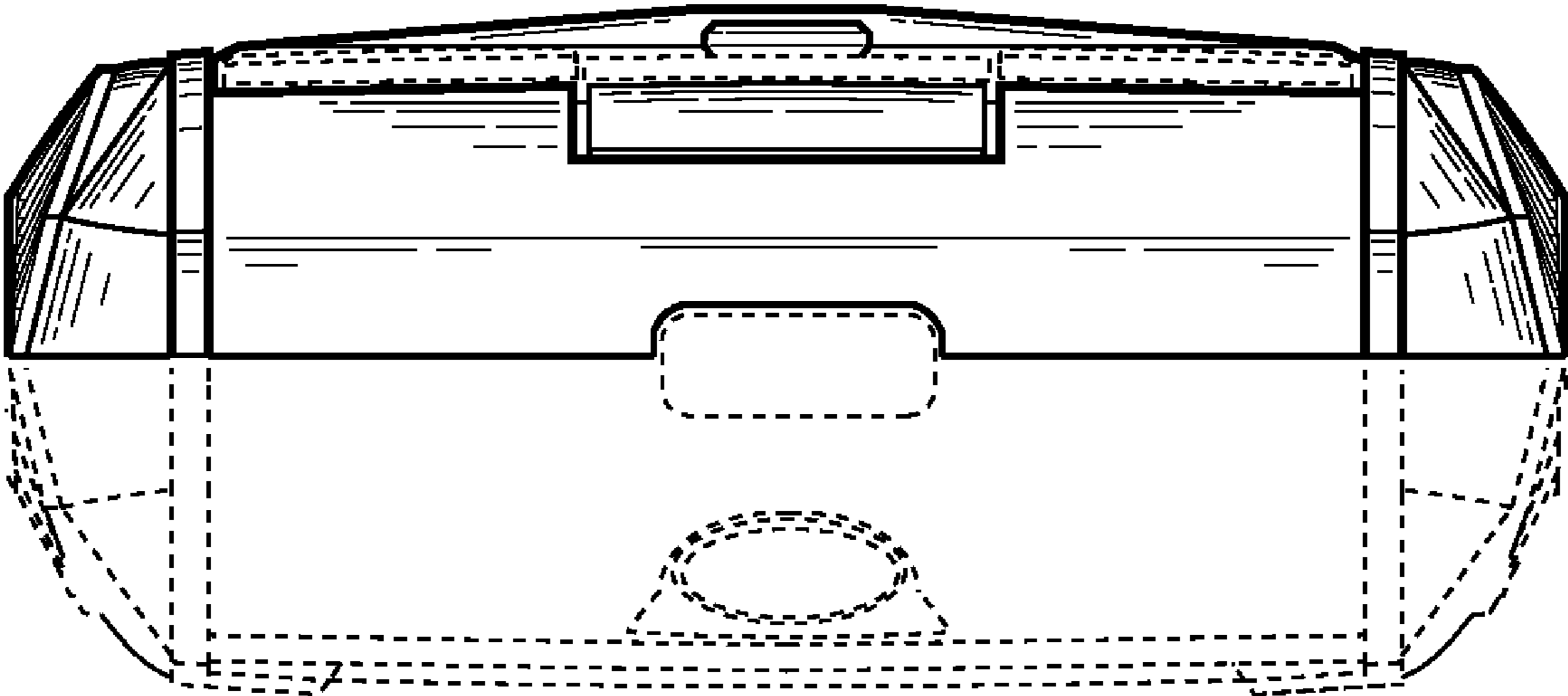


FIG. 16