



US00D634311S

(12) **United States Design Patent**
Stifal et al.

(10) **Patent No.:** **US D634,311 S**
(45) **Date of Patent:** **** Mar. 15, 2011**

(54) **DISPLAY MOUNT**

(75) Inventors: **Matthew William Stifal**, Portage, IN (US); **James D. Walters**, Saint Charles, IL (US)

(73) Assignee: **Peerless Industries, Inc.**, Aurora, IL (US)

(**) Term: **14 Years**

(21) Appl. No.: **29/375,516**

(22) Filed: **Sep. 23, 2010**

Related U.S. Application Data

(63) Continuation of application No. 29/355,713, filed on Feb. 12, 2010, now Pat. No. Des. 625,300.

(51) **LOC (9) Cl.** **14-03**

(52) **U.S. Cl.** **D14/239**

(58) **Field of Classification Search** D14/125-134, D14/239, 371, 136, 374-377; D8/363, 373, D8/349, 394; 248/465, 917-924, 123.11; 348/825, 827, 836, 837, 838, 180, 184, 325, 348/739; 600/443; D6/477-479, 407, 474, D6/460, 461, 468; 312/7.2; 341/12; 345/87, 345/104, 133, 156, 168, 169, 173; 720/605, 720/669, 600, 655; 369/99, 197; 455/344-347; 349/1, 2, 11, 62; 108/59, 91, 92, 96; 211/40, 211/41.12, 42, 49.1, 50, 85.2, 90.04, 187, 211/190, 119.003, 134.153, 87.01, 71.01

See application file for complete search history.

(56) **References Cited**

U.S. PATENT DOCUMENTS

2,697,572 A 12/1954 Pfankuch
(Continued)

FOREIGN PATENT DOCUMENTS

WO WO 03/036950 A1 5/2003

OTHER PUBLICATIONS

U.S. Appl. No. 12/704,777, filed Feb. 12, 2010, Stifal et al.

Primary Examiner — Raphael Barkai
Assistant Examiner — Randall Gholson

(74) *Attorney, Agent, or Firm* — Foley & Lardner LLP

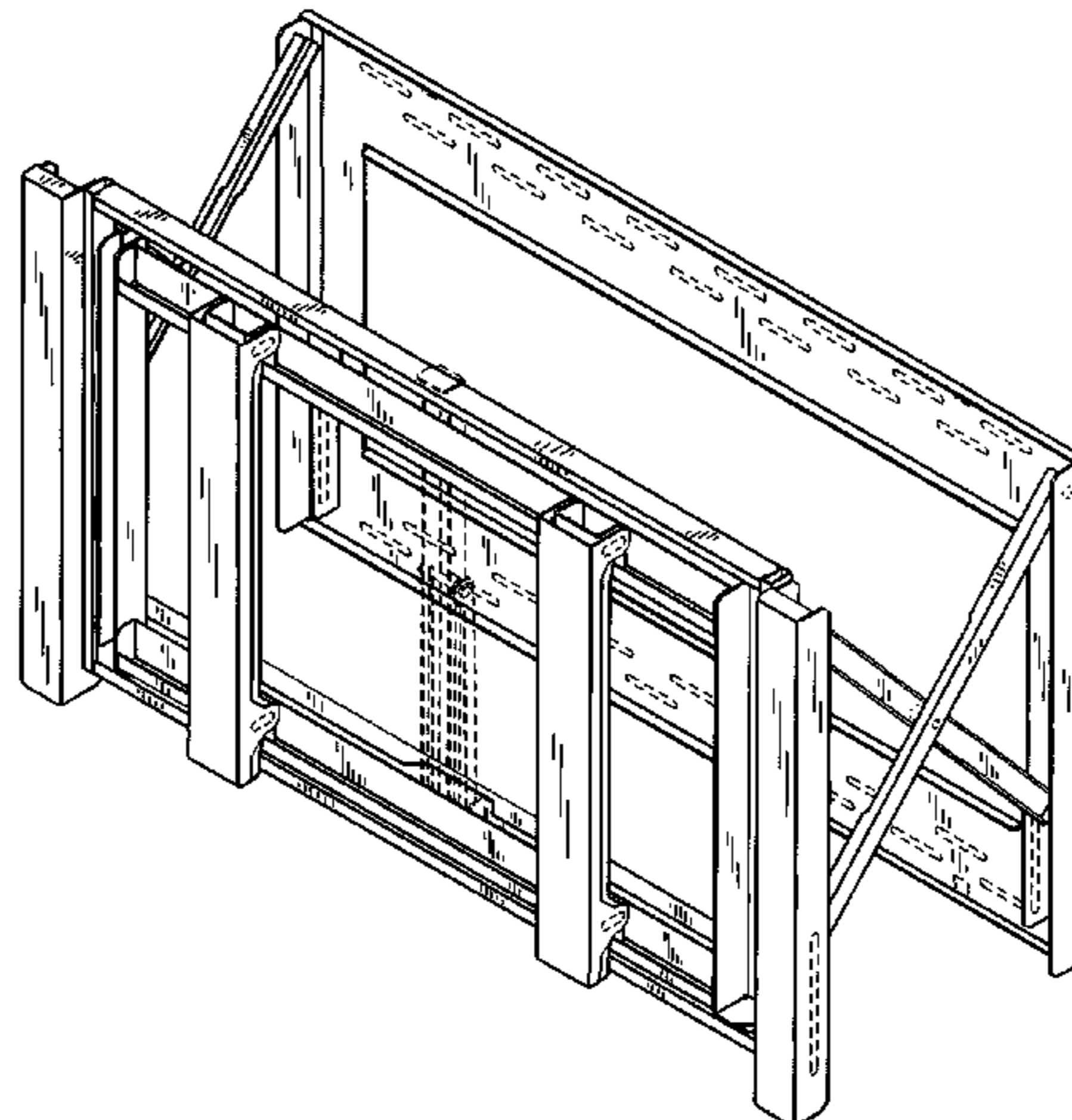
(57) **CLAIM**

We claim the ornamental design for a display mount, as shown and described.

DESCRIPTION

FIG. 1 is a first front perspective view of a display mount showing our new design;
FIG. 2 is a rear perspective view thereof;
FIG. 3 is a second front perspective view thereof;
FIG. 4 is a front elevational view thereof;
FIG. 5 is a rear elevational view thereof;
FIG. 6 is a right side elevational view thereof;
FIG. 7 is a left side elevational view thereof;
FIG. 8 is a top plan view thereof;
FIG. 9 is a bottom plan view thereof;
FIG. 10 is a rear elevational view of a portion thereof, with the rear bracket and the arm assemblies removed for clarity of illustration;
FIG. 11 is a first front perspective view showing a second position of the display mount of FIG. 1;
FIG. 12 is a rear perspective view of the display mount in FIG. 11;
FIG. 13 is a second front perspective view of the display mount in FIG. 11;
FIG. 14 is a front elevational view of the display mount in FIG. 11;
FIG. 15 is a rear elevational view of the display mount in FIG. 11;
FIG. 16 is a right side elevational view of the display mount in FIG. 11;
FIG. 17 is a left side elevational view of the display mount in FIG. 11;
FIG. 18 is a top plan view of the display mount in FIG. 11;
FIG. 19 is a bottom plan view of the display mount in FIG. 11;
and,
FIG. 20 is a rear elevational view of a portion of the display mount in FIG. 11, with the rear bracket and the arm assemblies removed for clarity of illustration.
The broken lines shown are for illustrative purposes only and form no part of the claimed design.

1 Claim, 20 Drawing Sheets



US D634,311 S

Page 2

U.S. PATENT DOCUMENTS

2,791,388	A	5/1957	Hirt	7,316,379	B1	1/2008	Graham	
4,611,779	A	9/1986	Leonard, Jr.	D563,416	S *	3/2008	Bremmon	D14/452
5,138,134	A	8/1992	Ellison	D563,962	S *	3/2008	Grey	D14/452
5,947,438	A	9/1999	Lemire	D570,852	S	6/2008	Muday et al.	
6,003,825	A	12/1999	Abernathy, Jr.	7,380,760	B2	6/2008	Dittmer	
6,032,915	A	3/2000	Brindisi	7,387,286	B2	6/2008	Dittmer et al.	
6,095,479	A	8/2000	Brindisi	7,395,996	B2	7/2008	Dittmer	
6,241,210	B1	6/2001	Brindisi	7,438,269	B2	10/2008	Pfister et al.	
6,283,434	B1	9/2001	Holder	D582,401	S *	12/2008	Stenhouse et al.	D14/239
6,550,739	B1	4/2003	Brindisi	7,510,156	B1	3/2009	Yaeger	
6,554,242	B2	4/2003	Kim	D624,061	S *	9/2010	Smith et al.	D14/239
6,578,812	B2	6/2003	Lemire	2002/0033436	A1	3/2002	Peng et al.	
D488,708	S	4/2004	Lam et al.	2002/0179791	A1	12/2002	Kwon	
D489,599	S	5/2004	Lam	2002/0179801	A1	12/2002	Kim	
D493,800	S	8/2004	Pfister et al.	2003/0141425	A1	7/2003	Obdeijn	
D494,596	S	8/2004	Pfister	2004/0232298	A1 *	11/2004	Bremmon et al.	248/281.11
D505,858	S	6/2005	O'Keene	2005/0087661	A1	4/2005	Rabenius	
6,905,101	B1	6/2005	Dittmer	2005/0097586	A1	5/2005	Hara et al.	
7,028,961	B1	4/2006	Dittmer et al.	2005/0110911	A1	5/2005	Childrey et al.	
D528,901	S	9/2006	David	2005/0133678	A1	6/2005	Dittmer	
D530,595	S	10/2006	Lam et al.	2005/0167549	A1	8/2005	Ligertwood	
7,152,836	B2	12/2006	Pfister et al.	2005/0236542	A1	10/2005	O'Neill	
7,178,775	B2	2/2007	Pfister et al.	2006/0006295	A1	1/2006	Gainer	
D538,632	S	3/2007	Ly Hau et al.	2006/0231711	A1	10/2006	Shin	
D539,125	S	3/2007	Ly Hau et al.	2007/0023593	A1	2/2007	Fedewa	
D539,128	S	3/2007	Ly Hau et al.	2007/0083880	A1	4/2007	Bae	
D539,637	S	4/2007	Ly Hau et al.	2007/0158515	A1	7/2007	Dittmer et al.	
7,300,029	B2	11/2007	Petrick et al.	2008/0078907	A1	4/2008	Huang	
D560,671	S	1/2008	Muday et al.	2009/0050763	A1	2/2009	Dittmer	

* cited by examiner

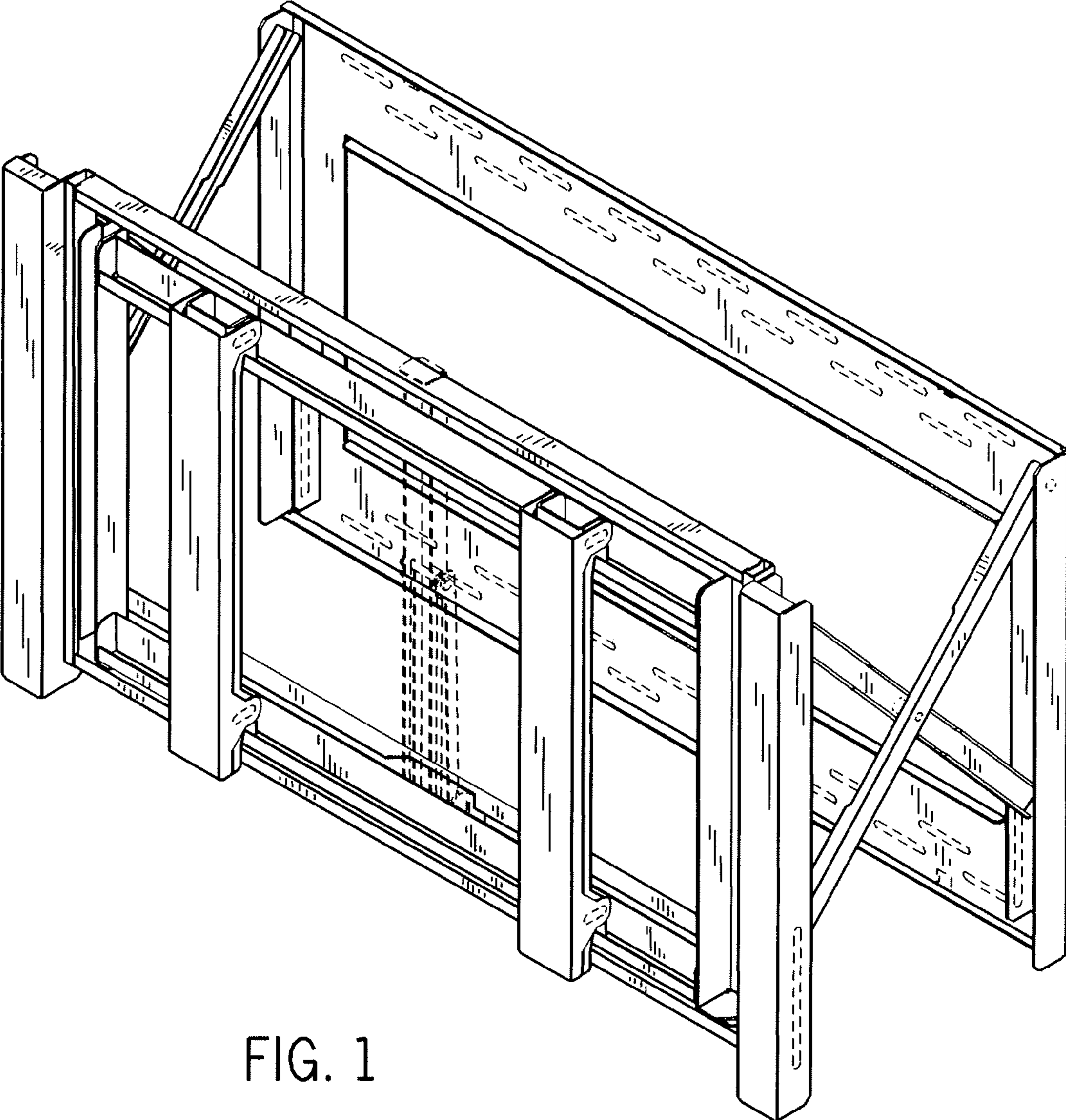


FIG. 1

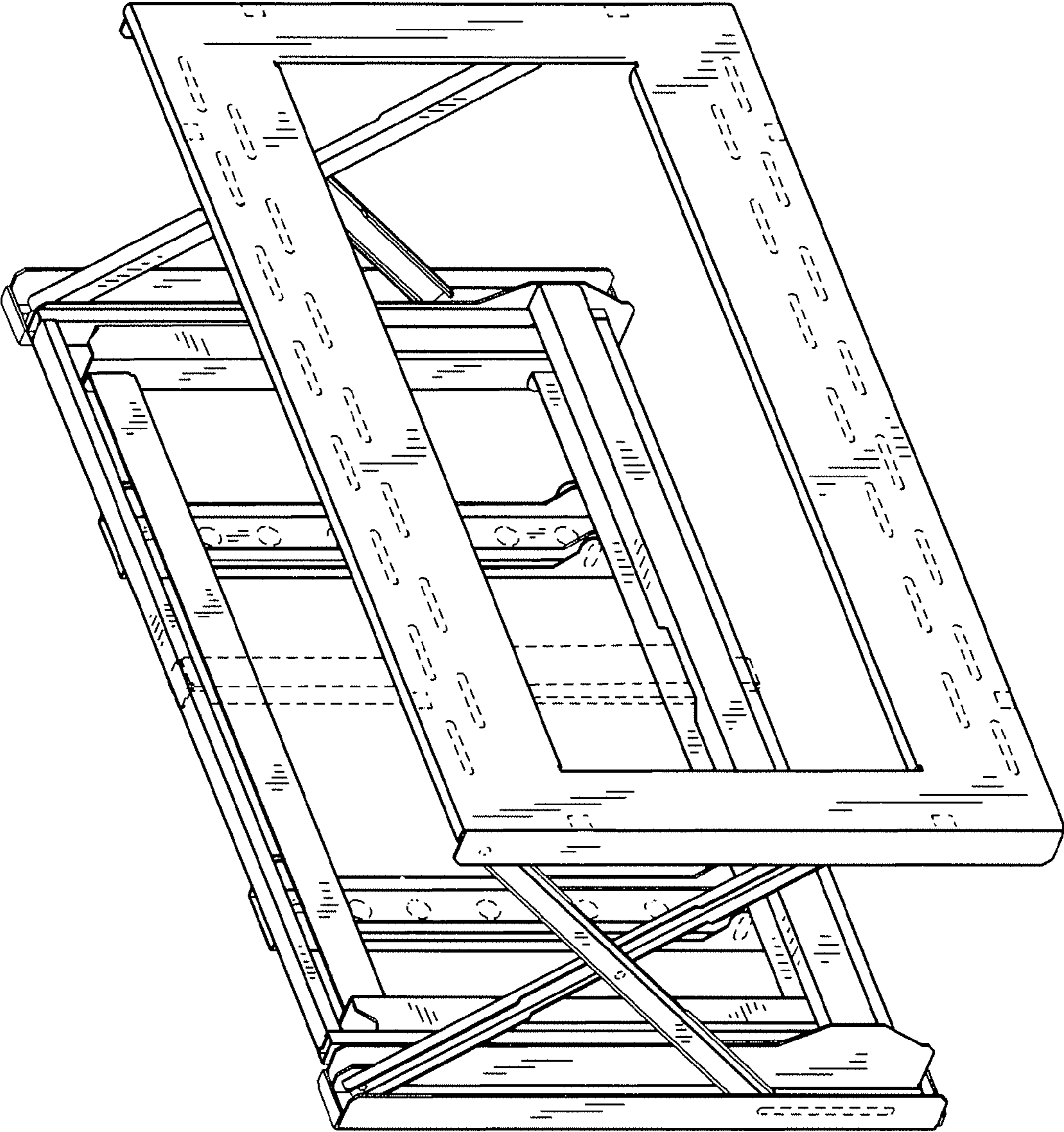


FIG. 2

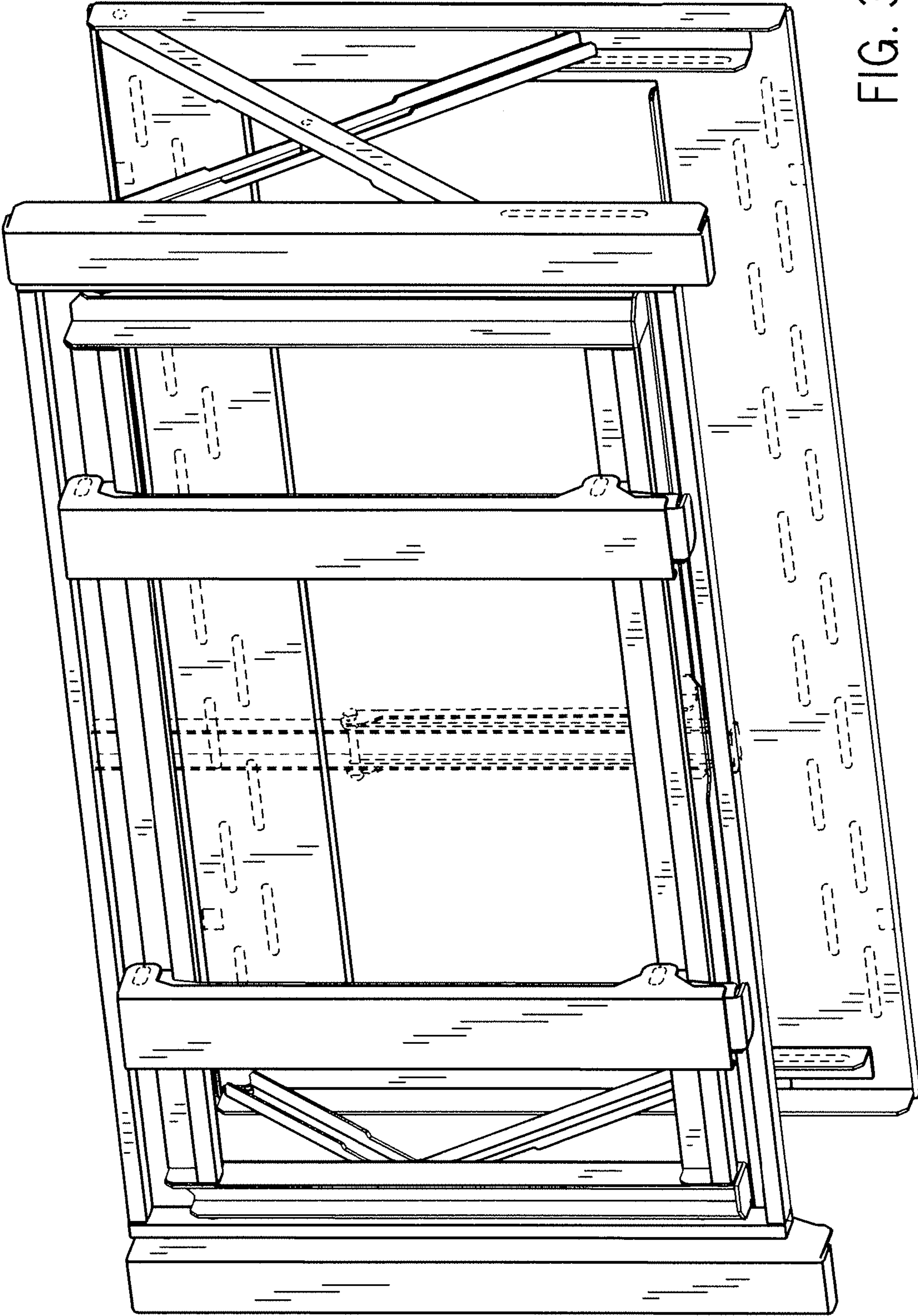


FIG. 3

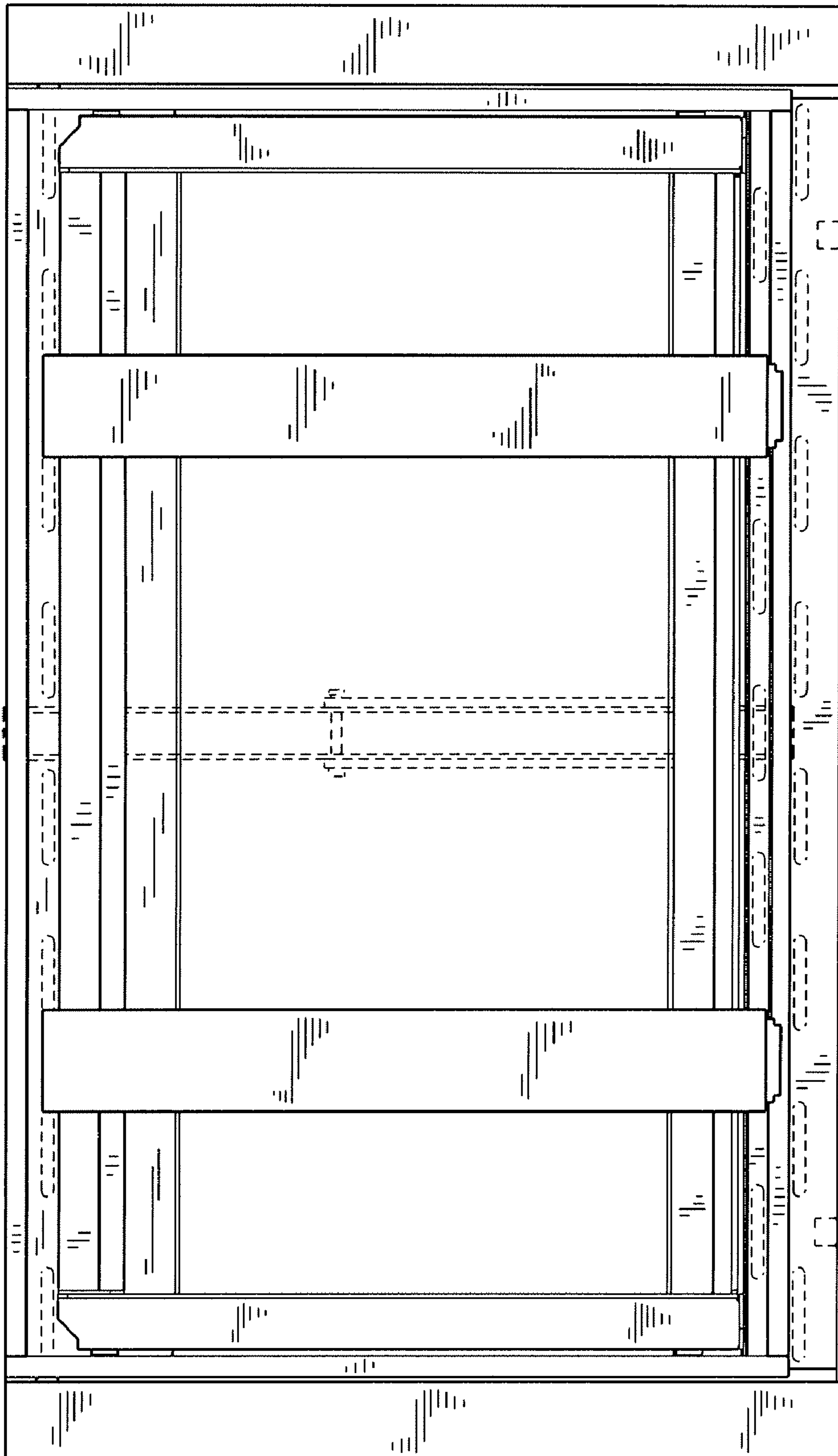


FIG. 4

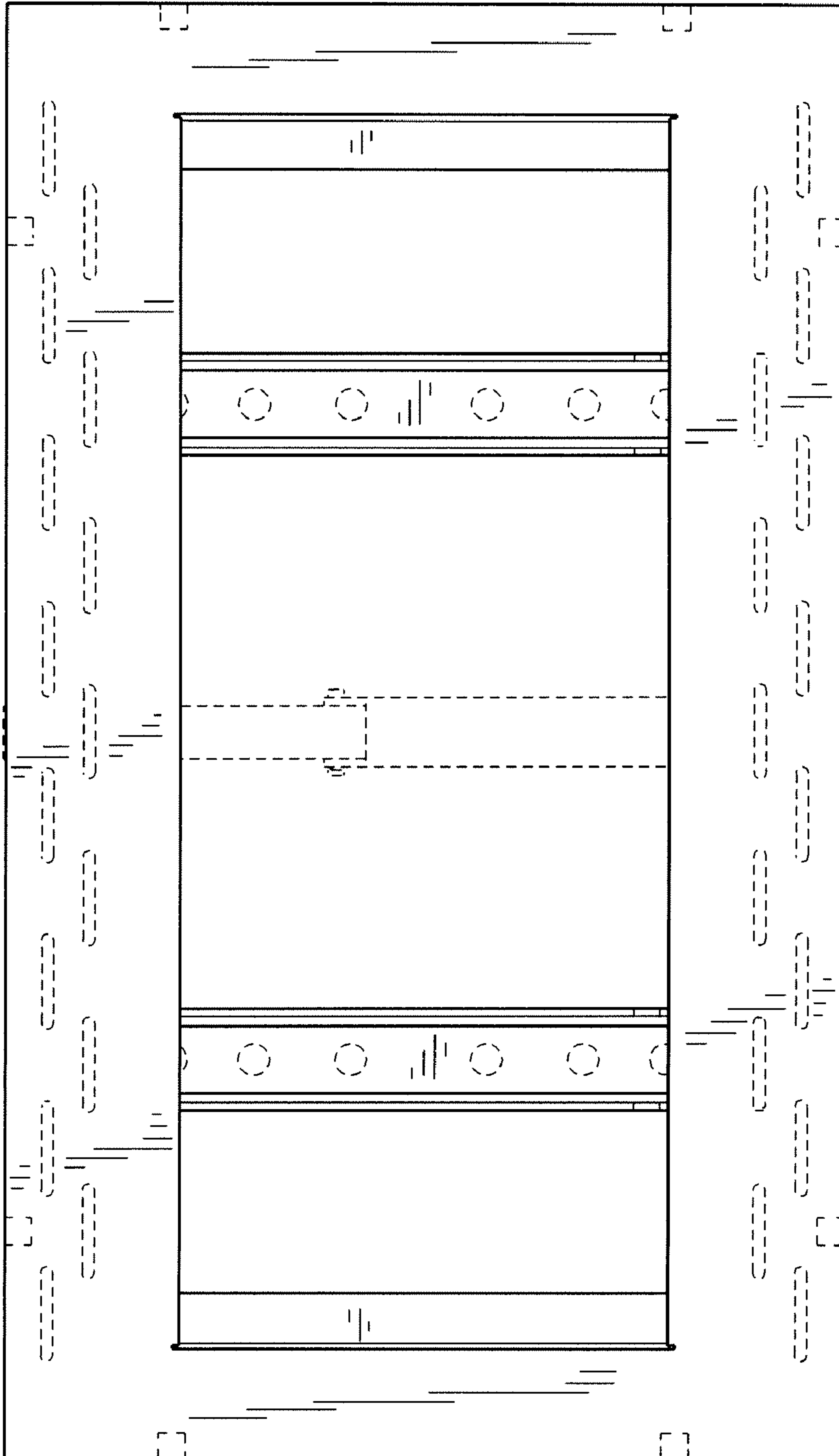


FIG. 5

FIG. 6

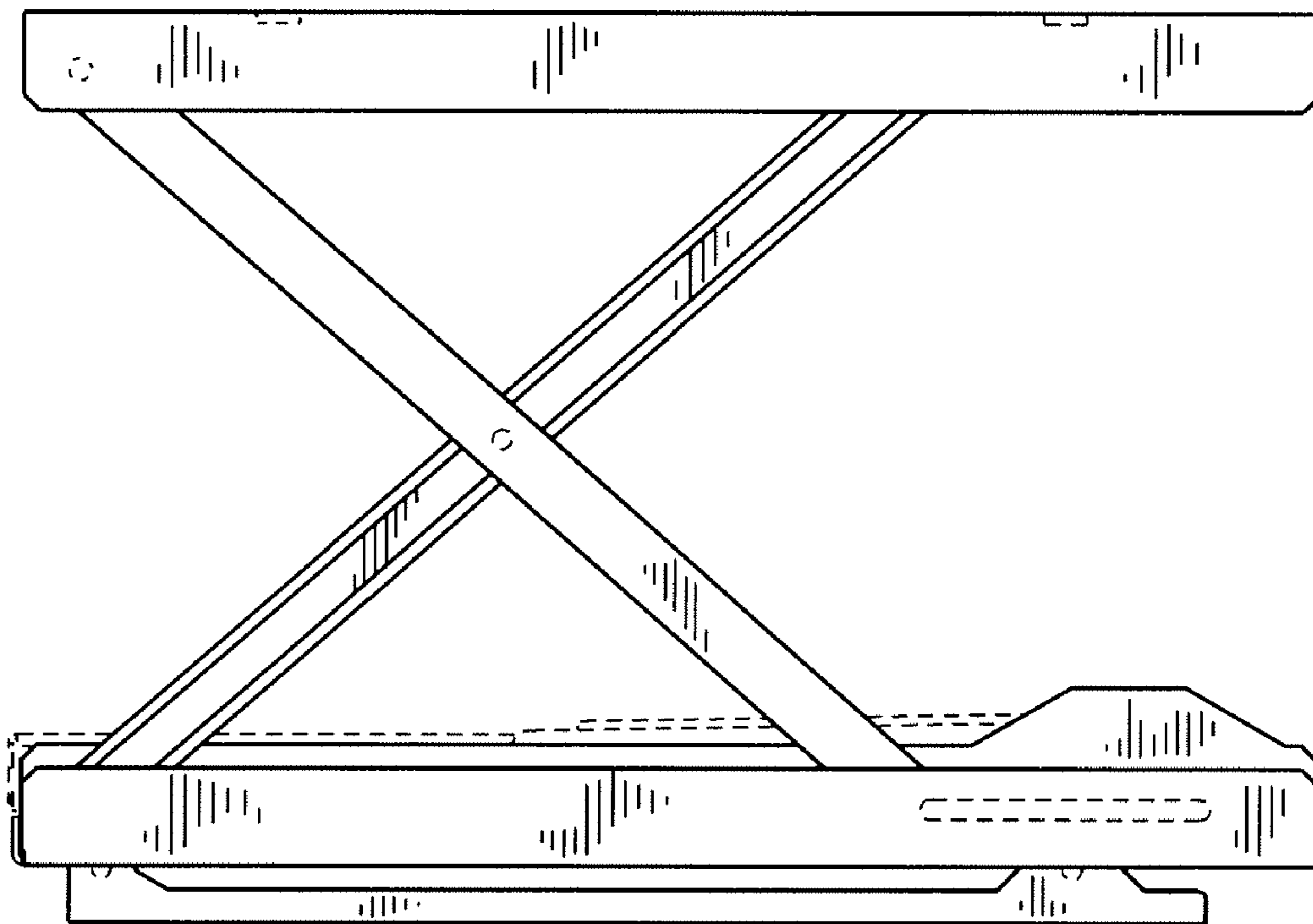
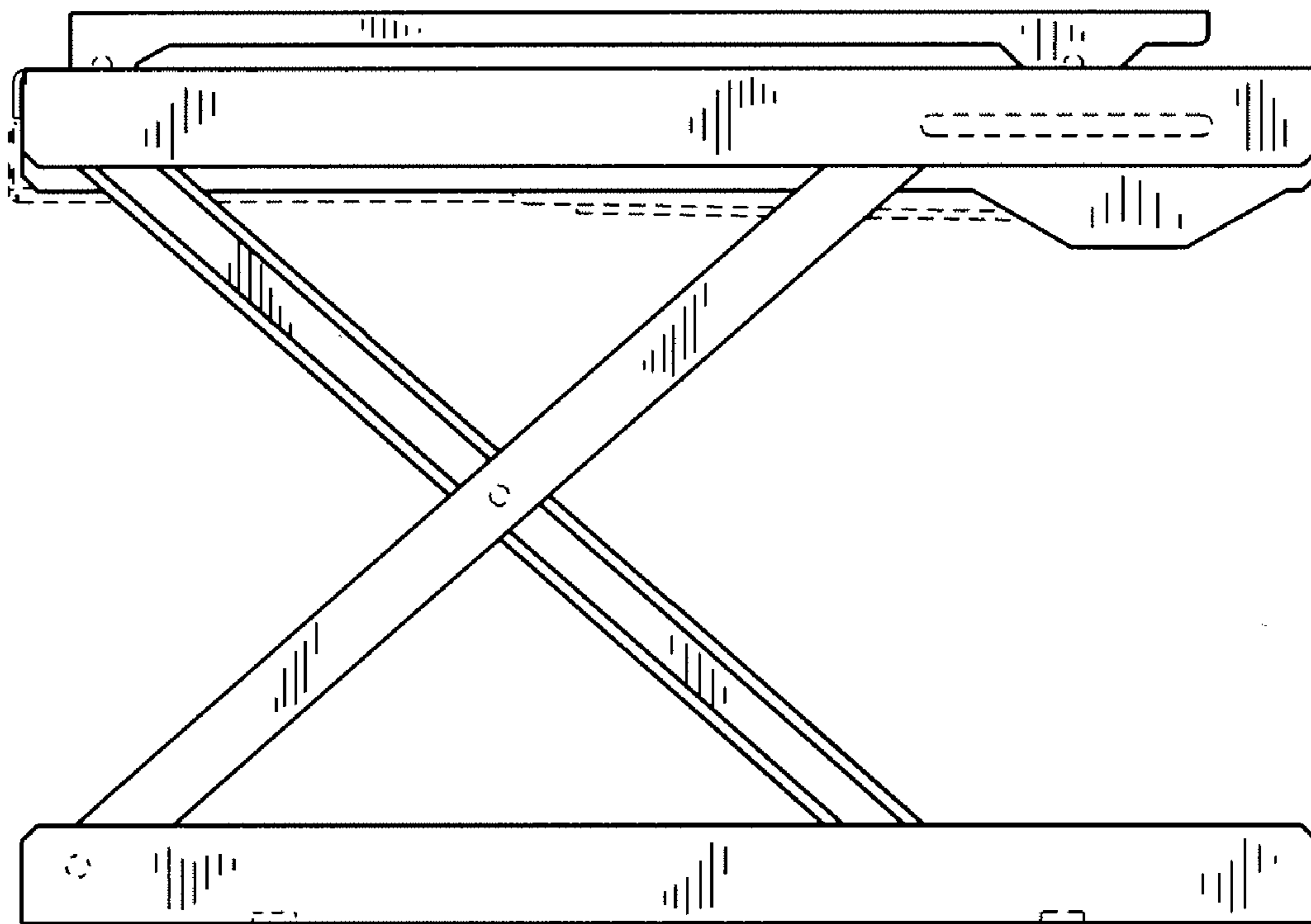


FIG. 7



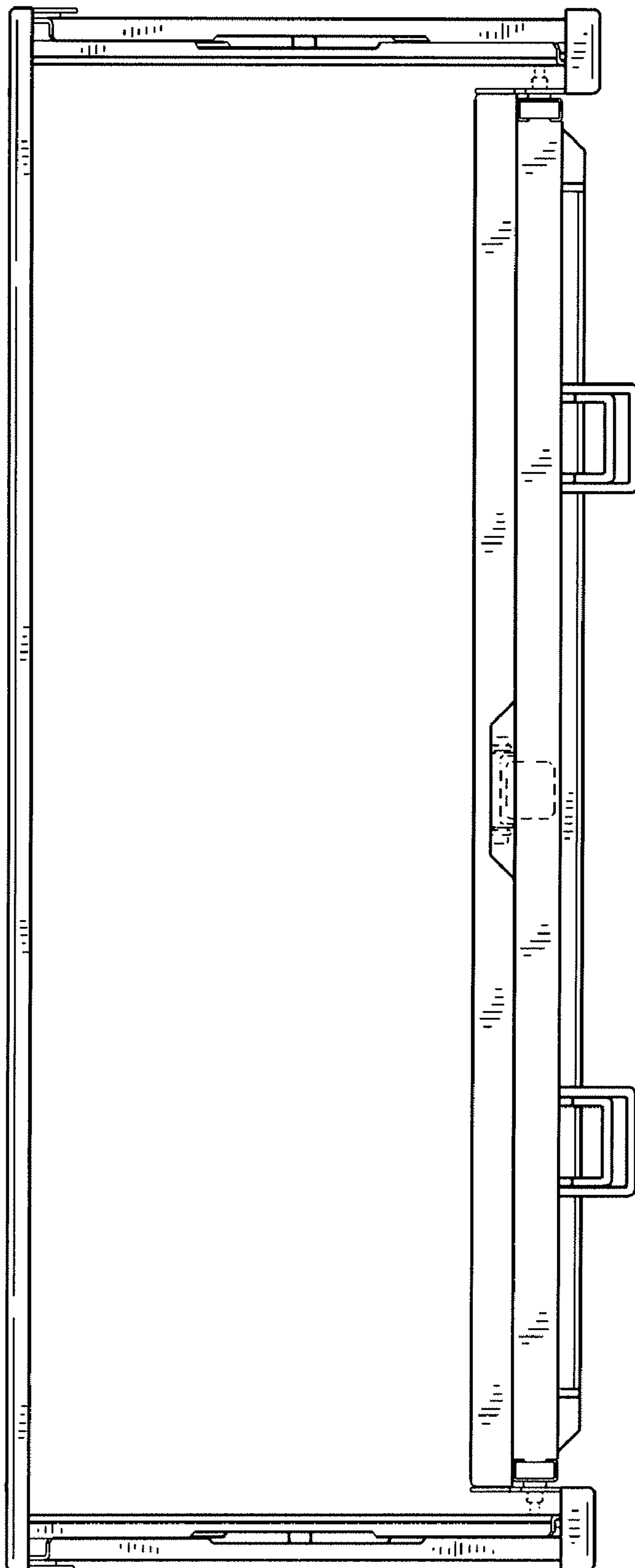


FIG. 8

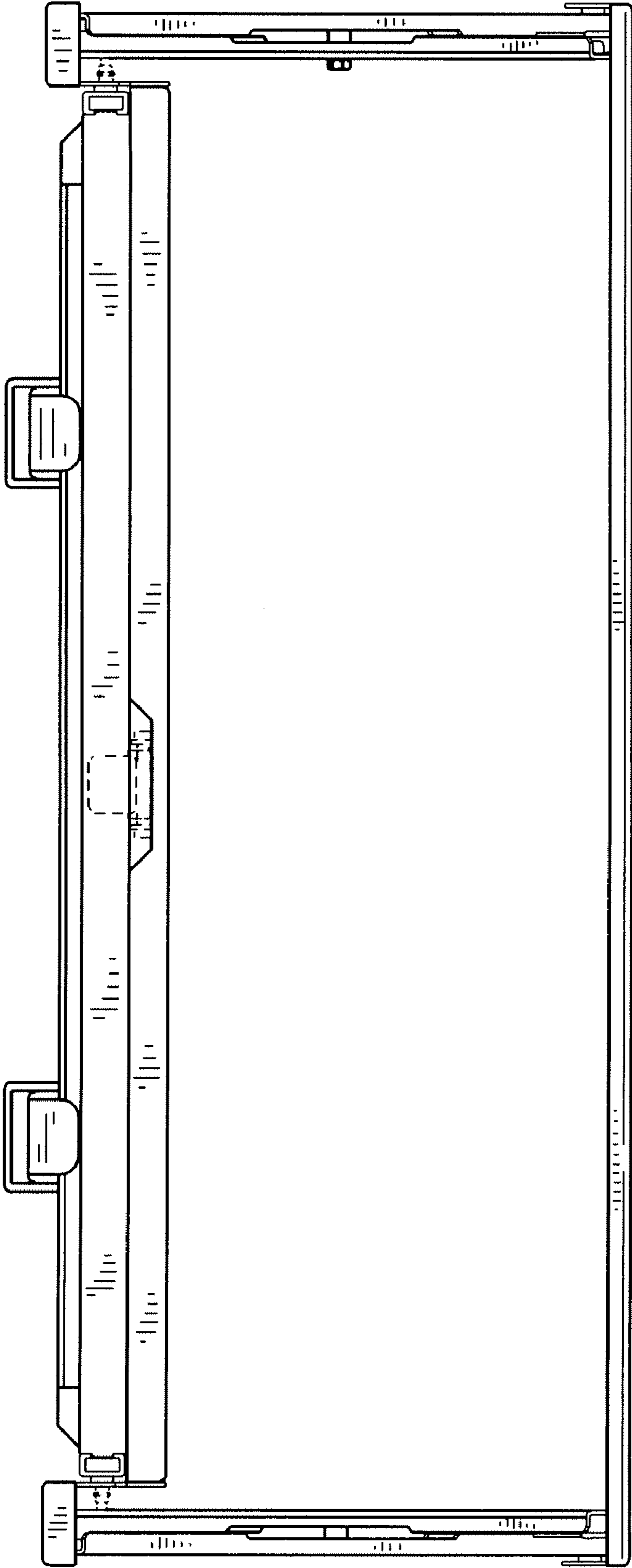


FIG. 9

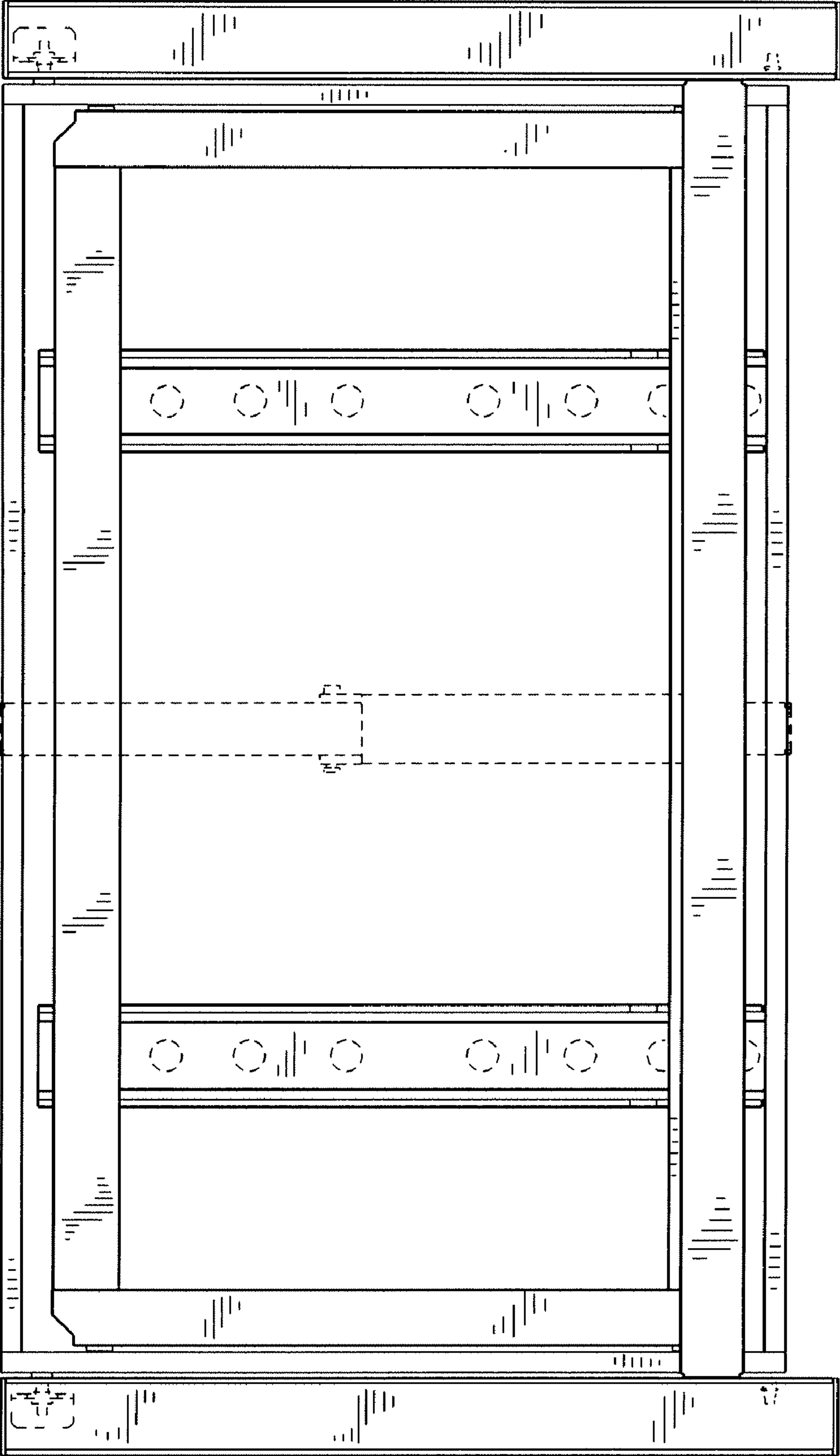


FIG. 10

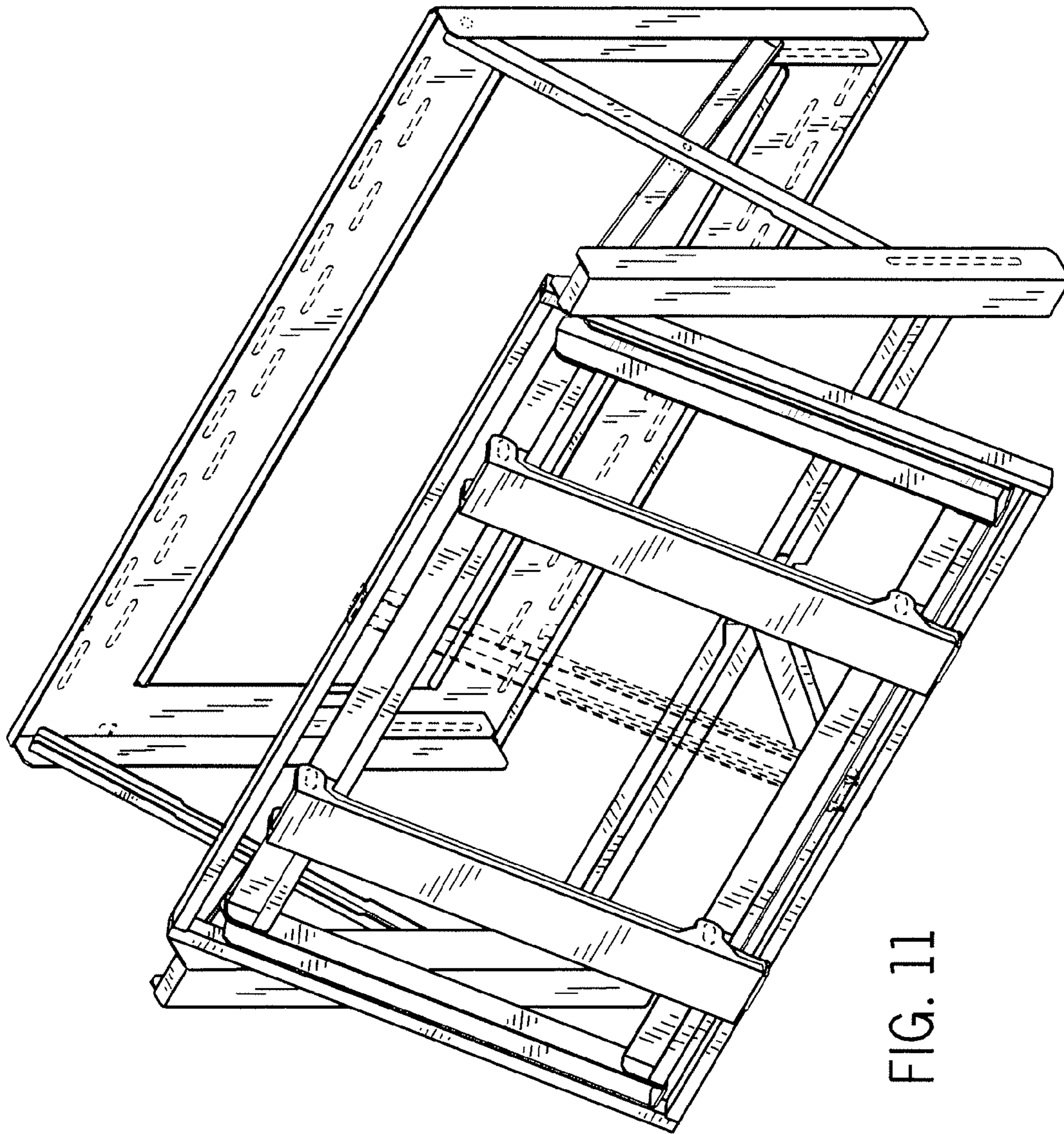


FIG. 11

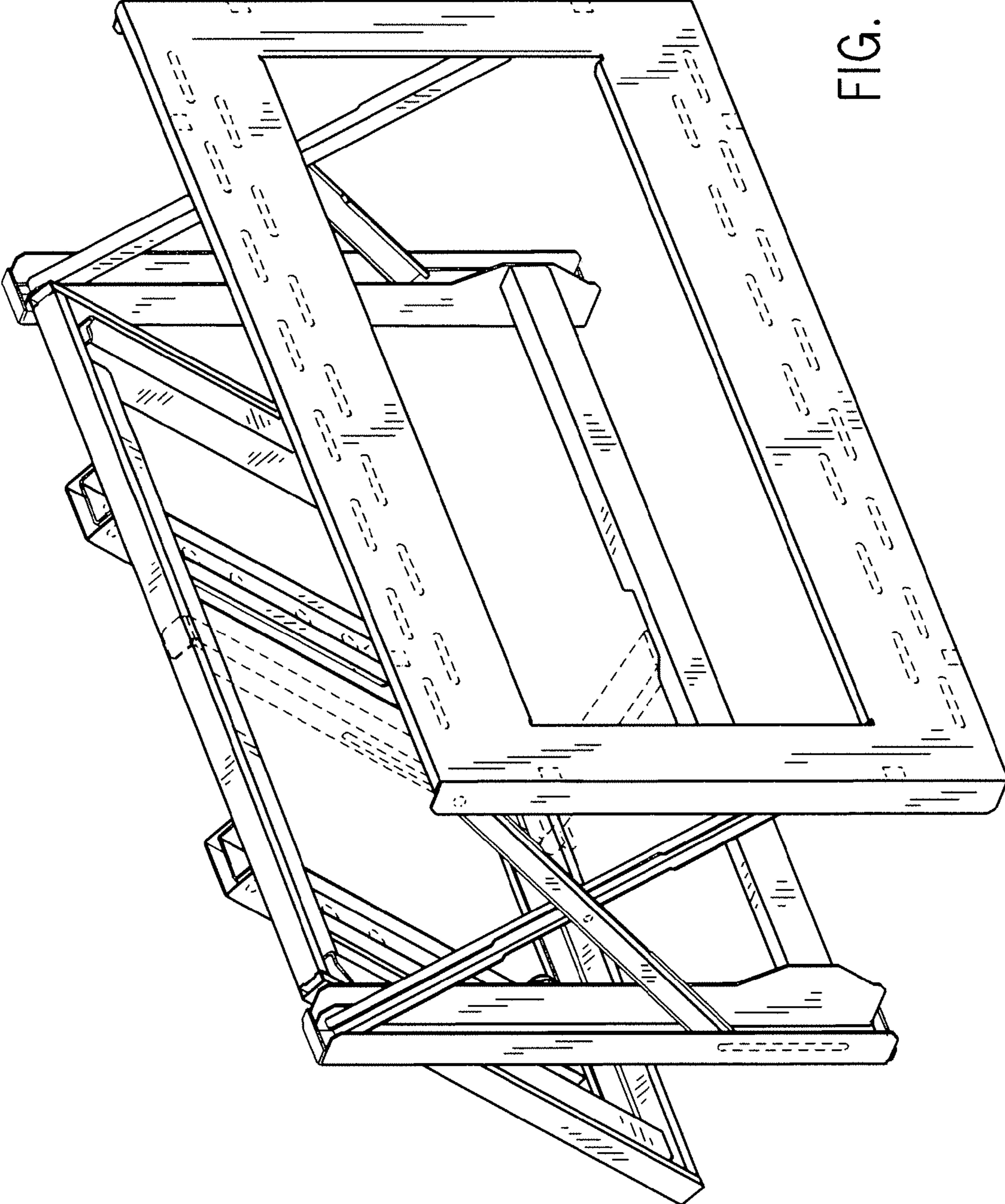


FIG. 12

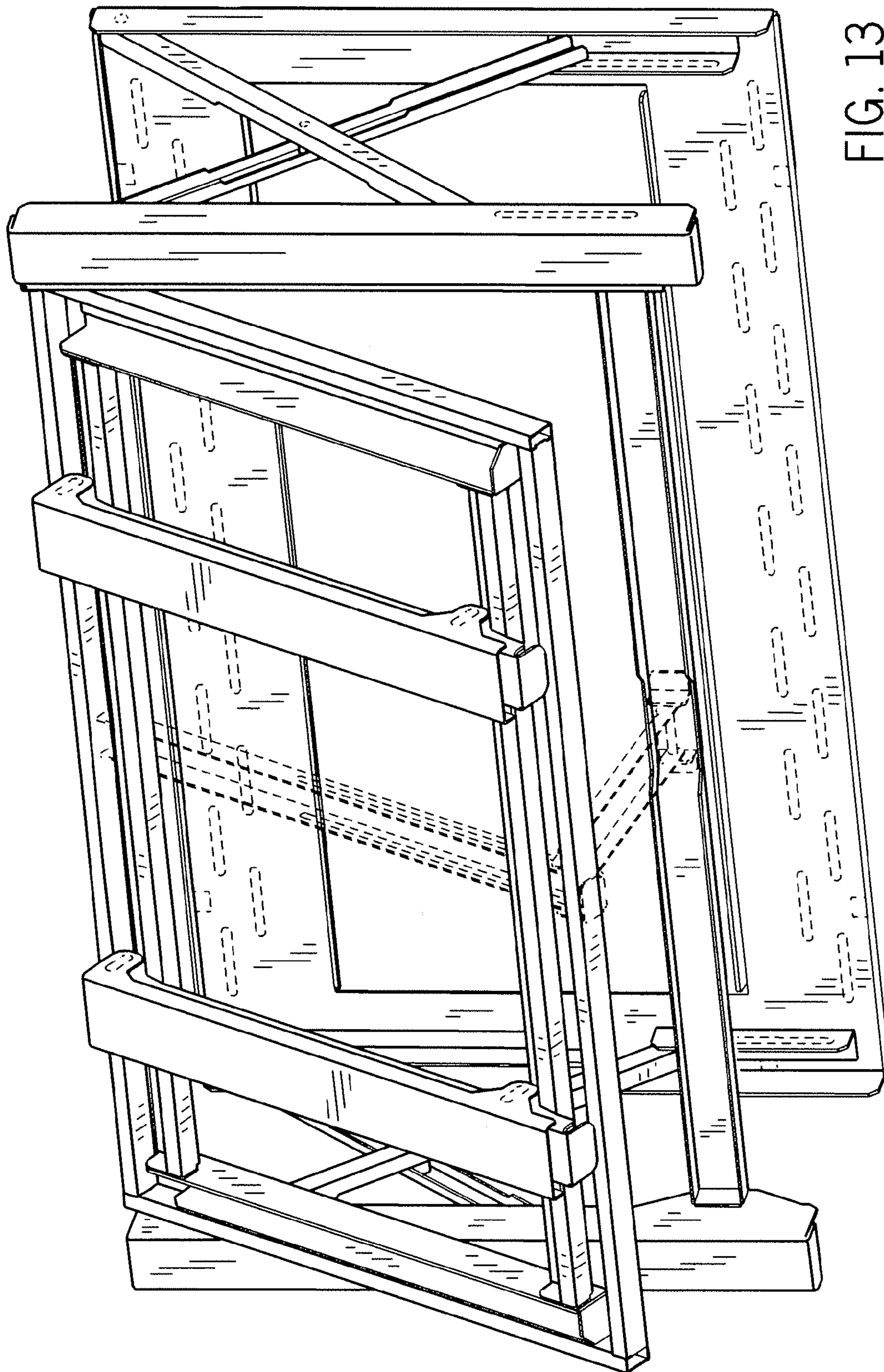


FIG. 13

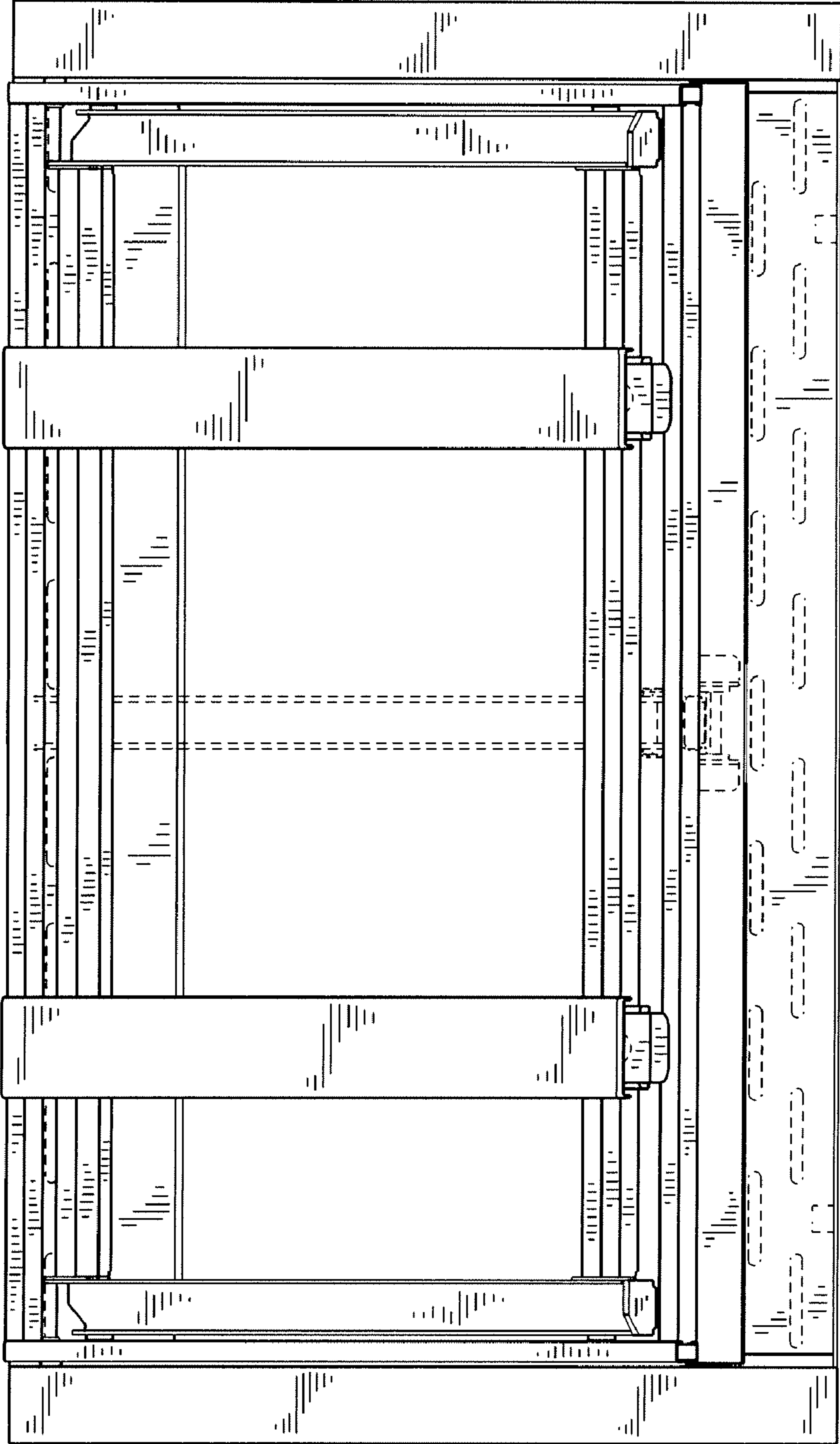


FIG. 14

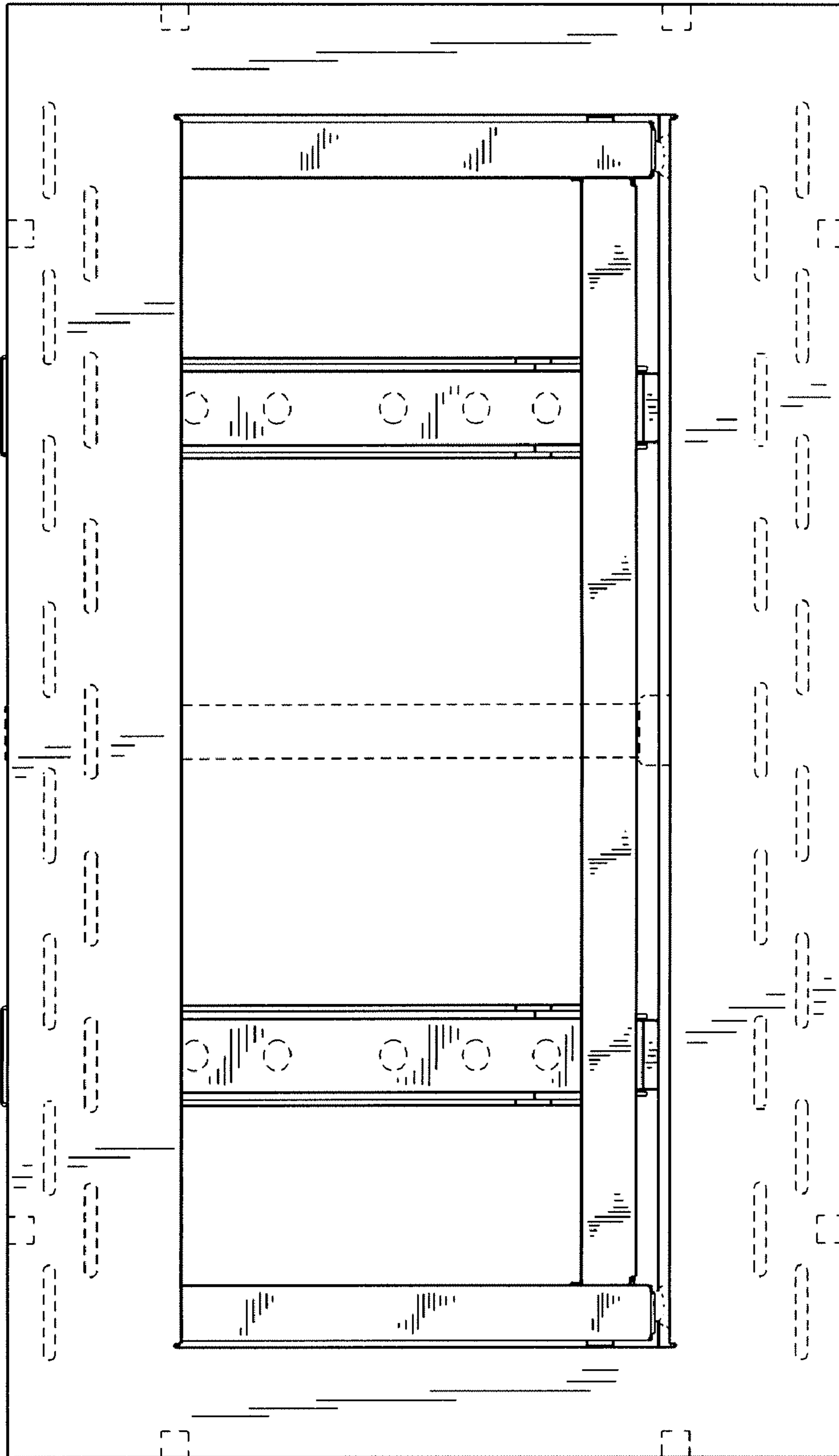


FIG. 15

FIG. 16

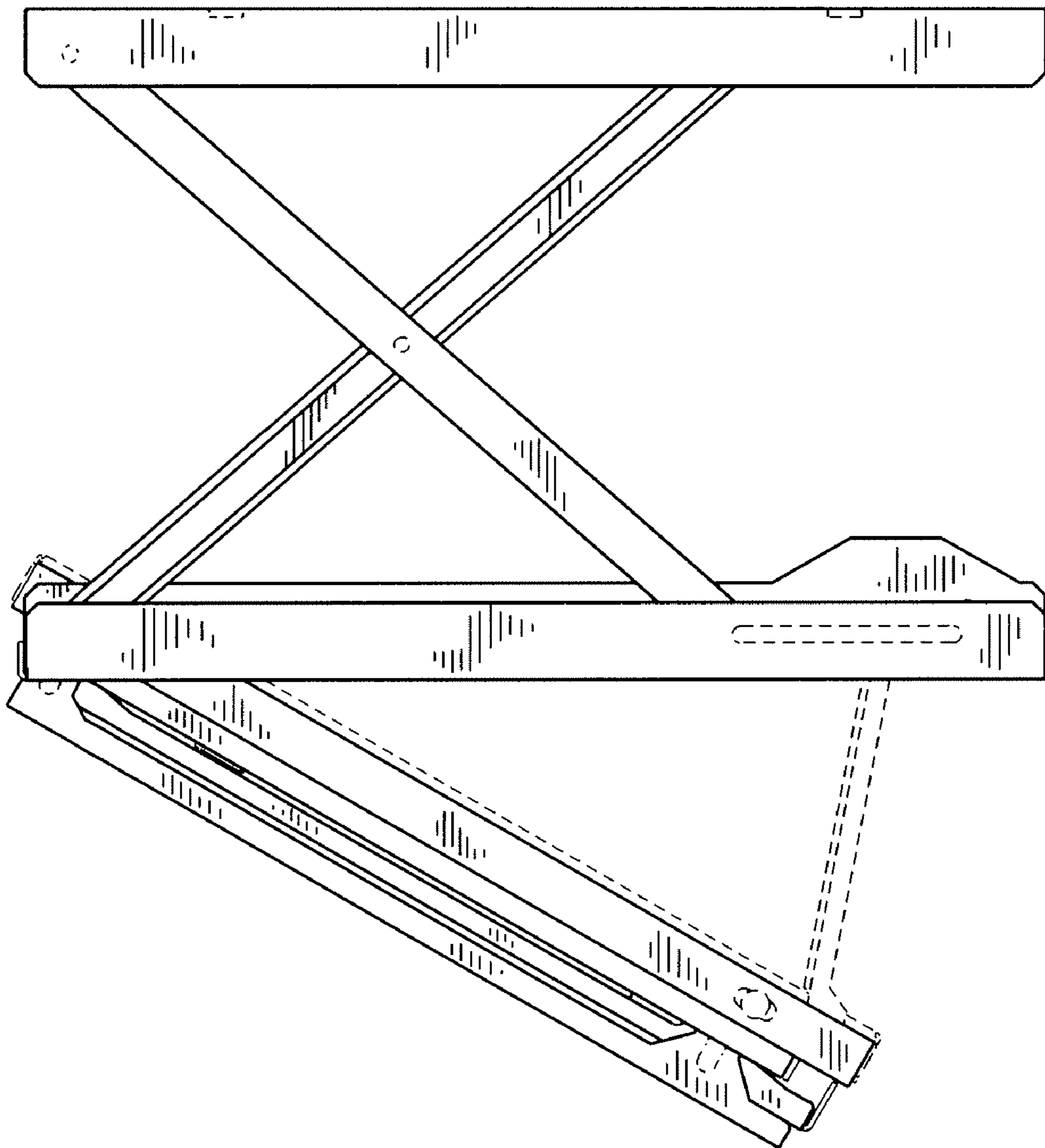
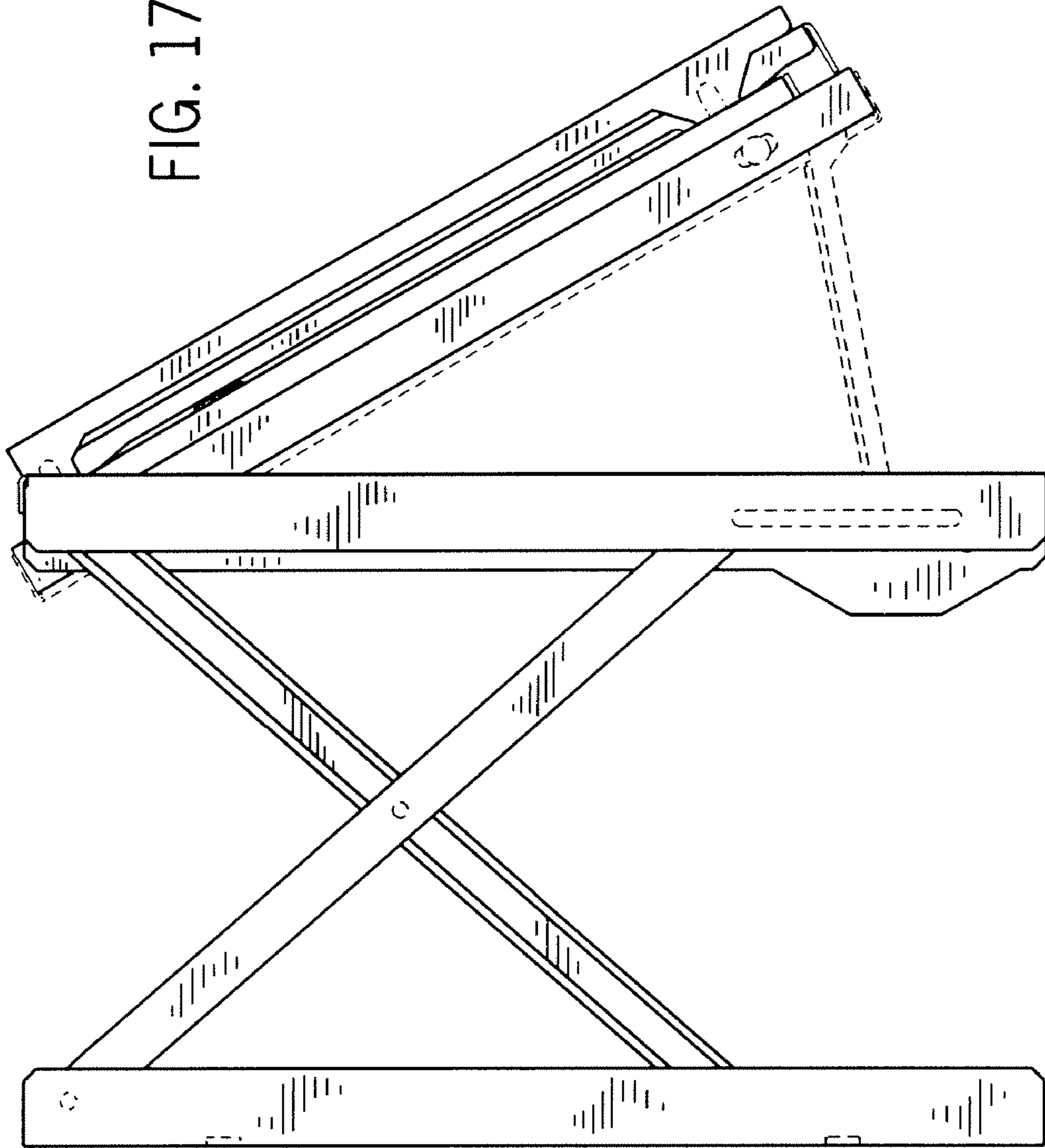


FIG. 17



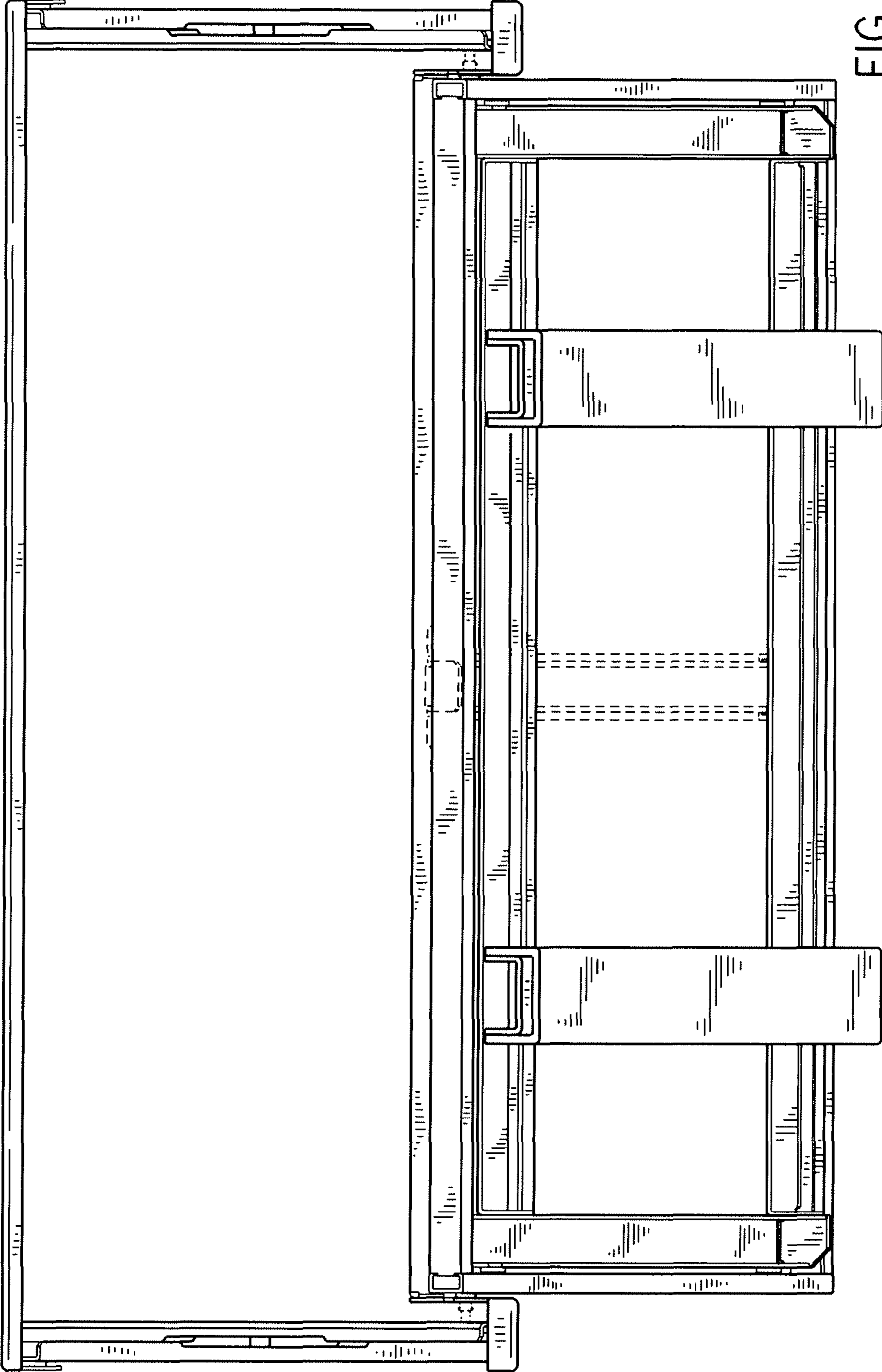
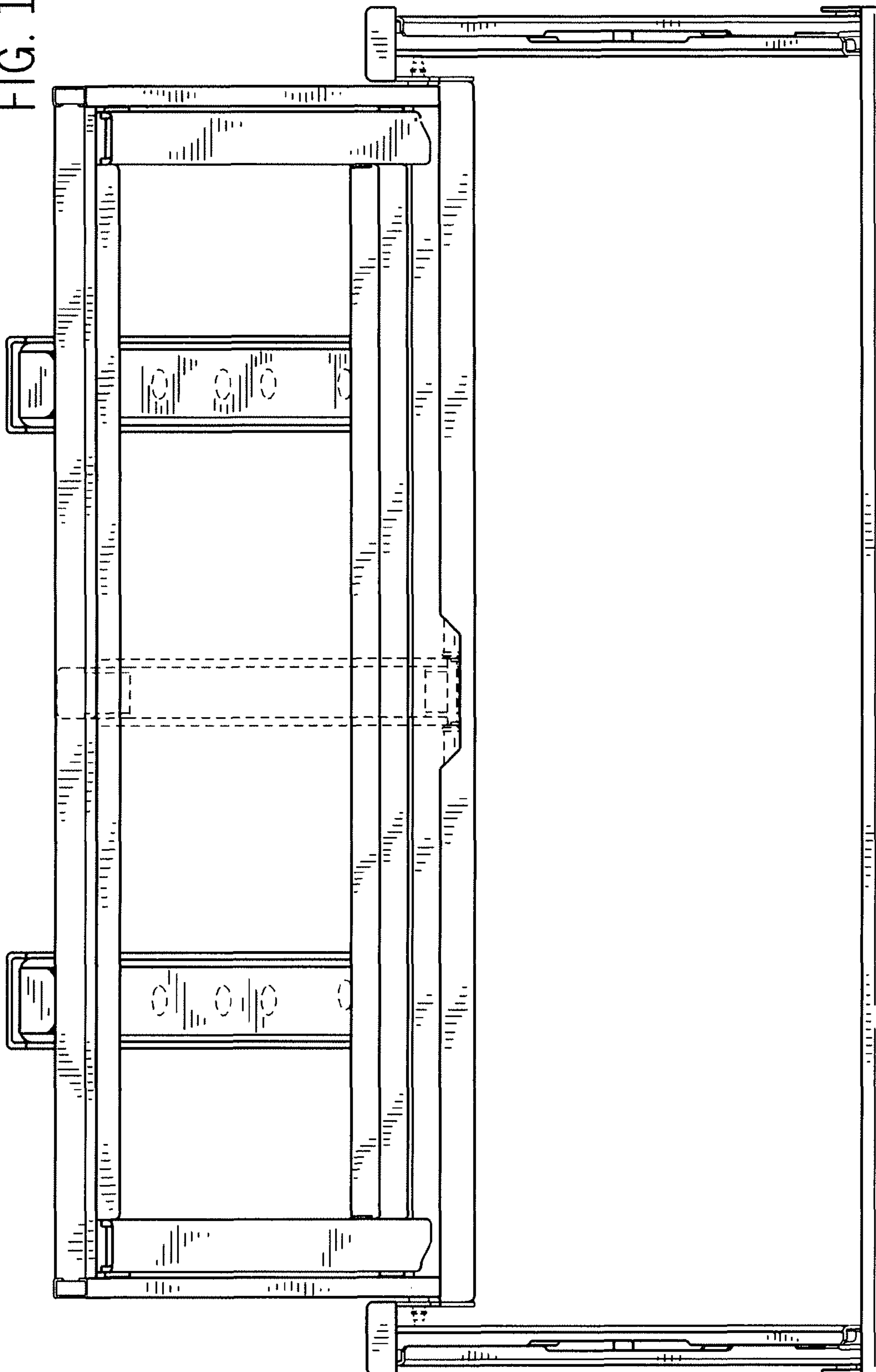


FIG. 18

FIG. 19



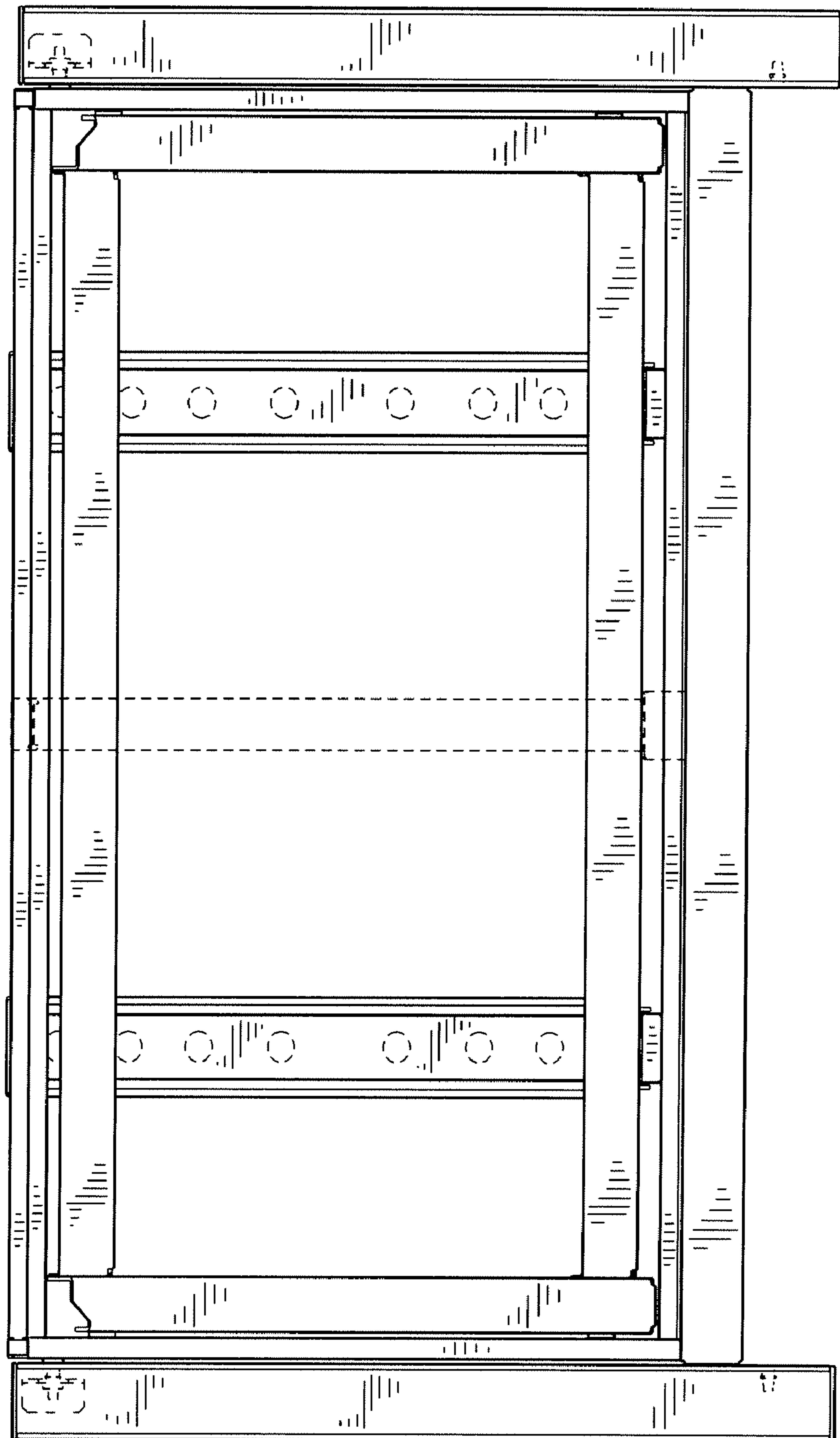


FIG. 20