



US00D634310S

(12) **United States Design Patent**
Knaapen

(10) **Patent No.:** **US D634,310 S**

(45) **Date of Patent:** **** Mar. 15, 2011**

(54) **ROTATABLE WALL MOUNT SUPPORT**

(75) Inventor: **Luc F. A. Knaapen**, Helden (NL)

(73) Assignee: **Vogel's Holding B.V.** (NL)

(**) Term: **14 Years**

(21) Appl. No.: **29/367,677**

(22) Filed: **Aug. 11, 2010**

(51) **LOC (9) Cl.** **14-03**

(52) **U.S. Cl.** **D14/239**

(58) **Field of Classification Search** D14/125-134,
D14/239, 371, 136, 374-377; D8/363, 373,
D8/349, 394; 248/465, 917-924, 123.11;
348/825, 827, 836, 837, 838, 180, 184, 325,
348/739; 600/443; D6/477-479, 407, 474,
D6/460, 461, 468; 312/7.2; 341/12; 345/87,
345/104, 133, 156, 168, 169, 173; 720/605,
720/669, 600, 655; 369/99, 197; 455/344-347;
349/1, 2, 11, 62; 108/59, 91, 92, 96; 211/40,
211/41.12, 42, 49.1, 50, 85.2, 90.04, 187,
211/190, 119.003, 134.153, 87.01, 71.01

See application file for complete search history.

(56) **References Cited**

U.S. PATENT DOCUMENTS

7,448,584	B2 *	11/2008	Chen et al.	248/278.1
D581,914	S *	12/2008	Bures et al.	D14/239
D581,915	S *	12/2008	Sculler et al.	D14/239
D606,522	S *	12/2009	Le	D14/239
D610,437	S *	2/2010	Bremmon et al.	D8/373
D620,943	S *	8/2010	Grey et al.	D14/452

7,784,758	B2 *	8/2010	Oh et al.	248/274.1
2006/0291152	A1 *	12/2006	Bremmon	361/681
2007/0007413	A1 *	1/2007	Jung et al.	248/284.1
2007/0023593	A1 *	2/2007	Fedewa	248/201
2008/0011927	A1 *	1/2008	Park	248/324
2008/0156949	A1 *	7/2008	Sculler et al.	248/220.21
2008/0210837	A1 *	9/2008	Burns	248/291.1

* cited by examiner

Primary Examiner — Raphael Barkai

Assistant Examiner — Randall Gholson

(74) *Attorney, Agent, or Firm* — Miller & Martin PLLC

(57) **CLAIM**

The ornamental design for the rotatable wall mount support, as shown and described.

DESCRIPTION

FIG. 1 is a top front right perspective view of the rotatable wall mount support;

FIG. 2 is a top front left perspective view of the rotatable wall mount support shown in FIG. 1;

FIG. 3 is a front plan view of the rotatable wall mount support shown in FIG. 1

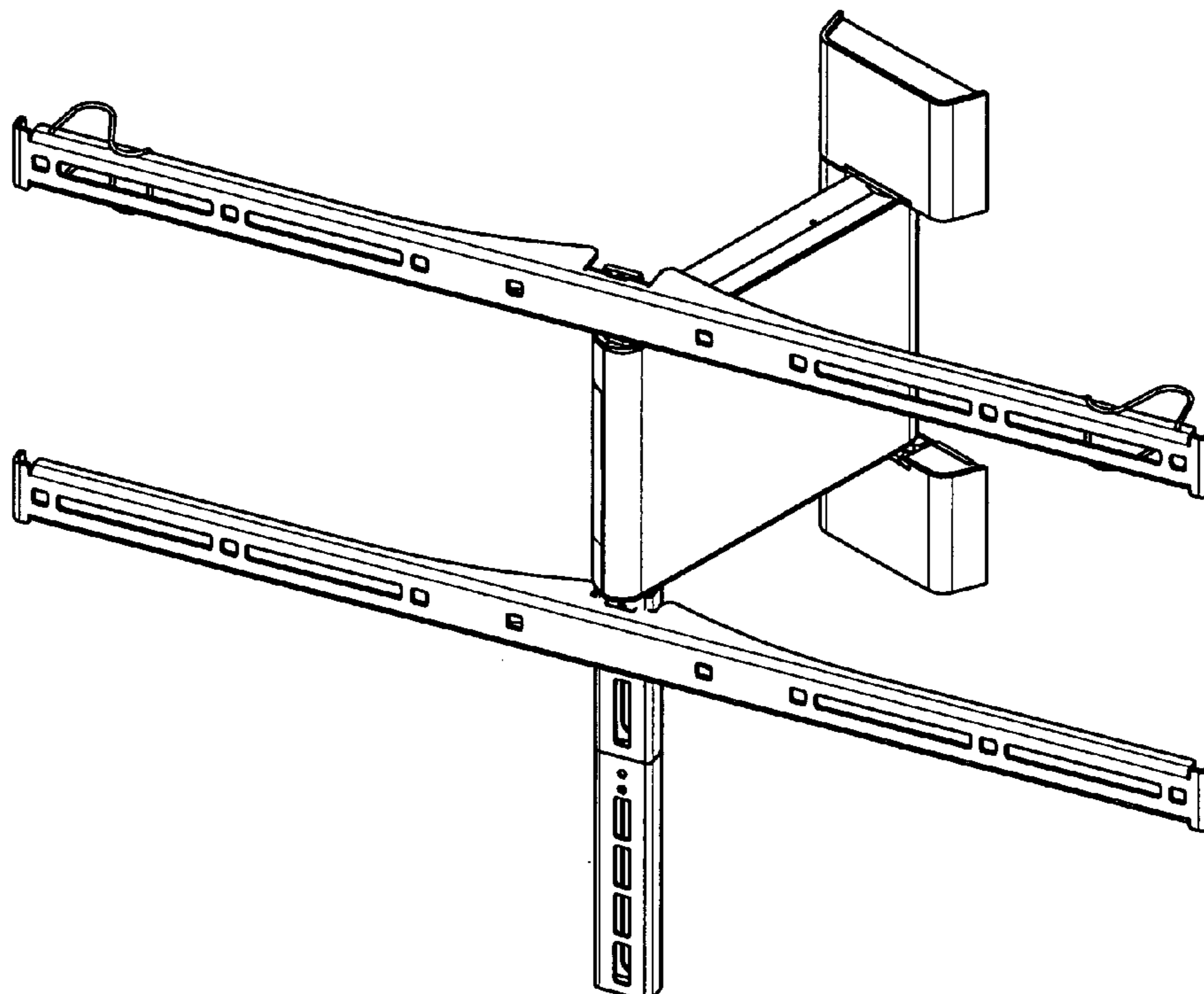
FIG. 4 is a back plan view of the rotatable wall mount support shown in FIG. 1;

FIG. 5 is a right plan view of the rotatable wall mount support shown in FIG. 1;

FIG. 6 is a top plan view of the rotatable wall mount support shown in FIG. 1; and,

FIG. 7 is a bottom plan view of the rotatable wall mount support shown in FIG. 1.

1 Claim, 7 Drawing Sheets



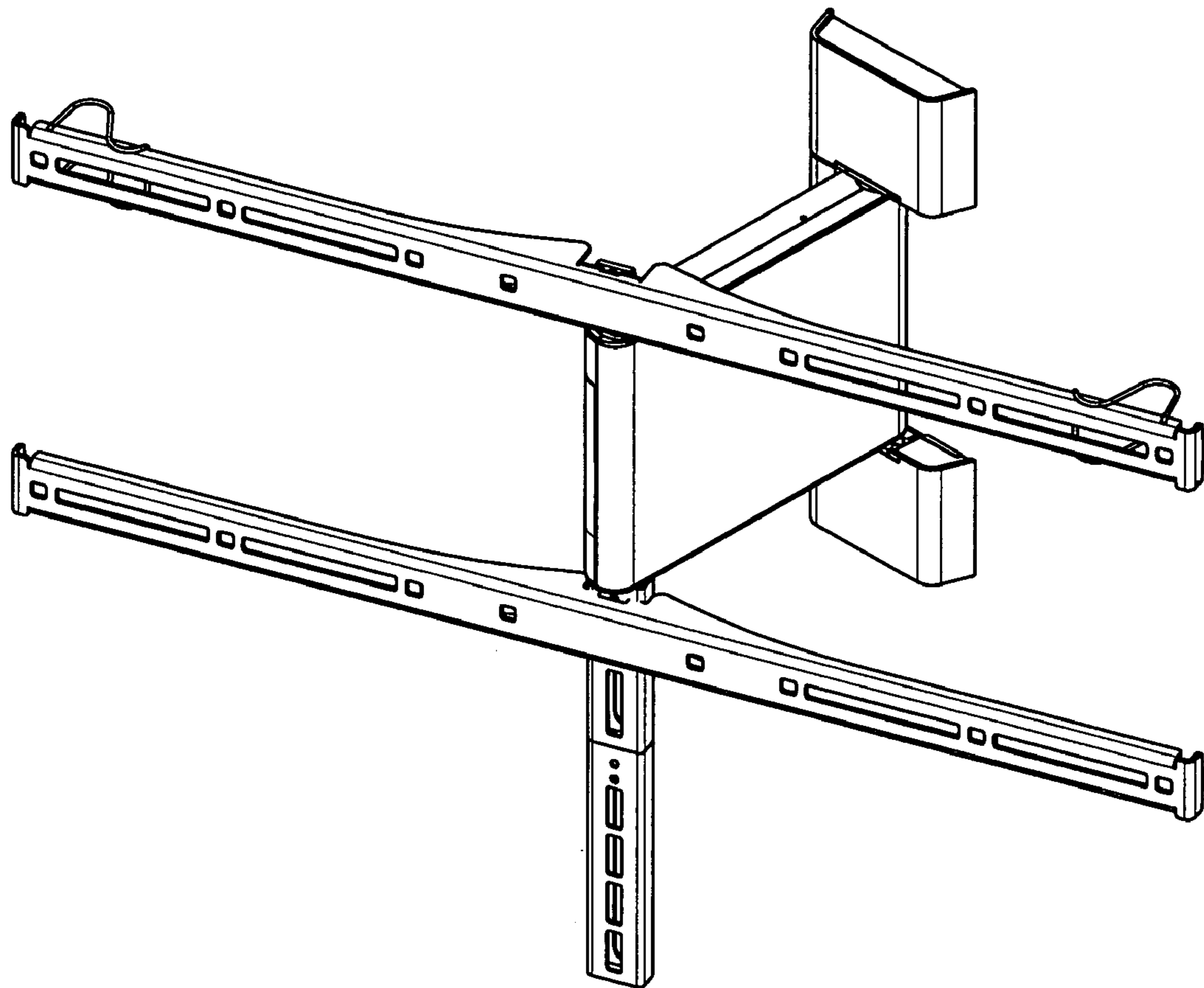


FIG. 1

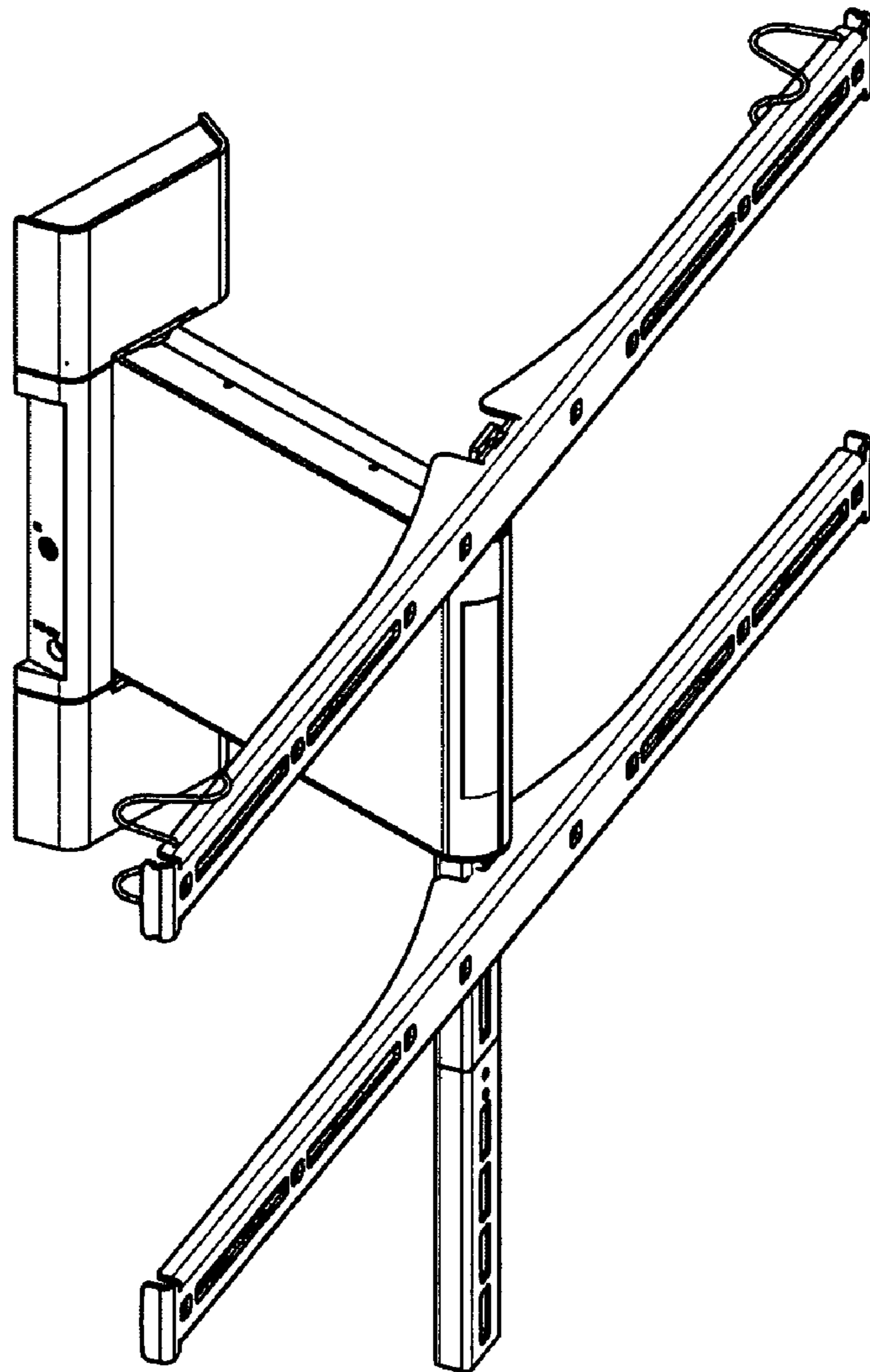


FIG. 2

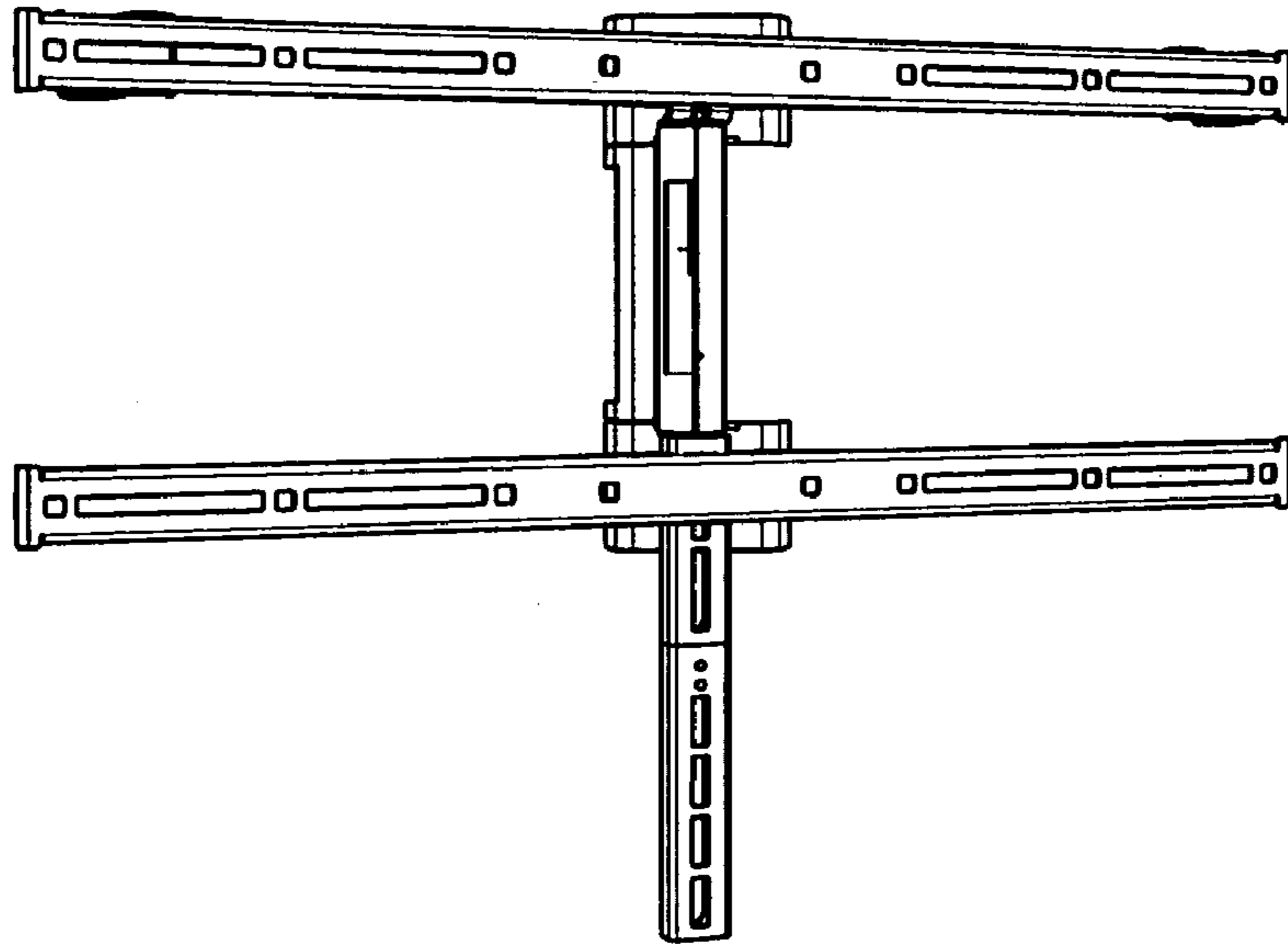


FIG. 3

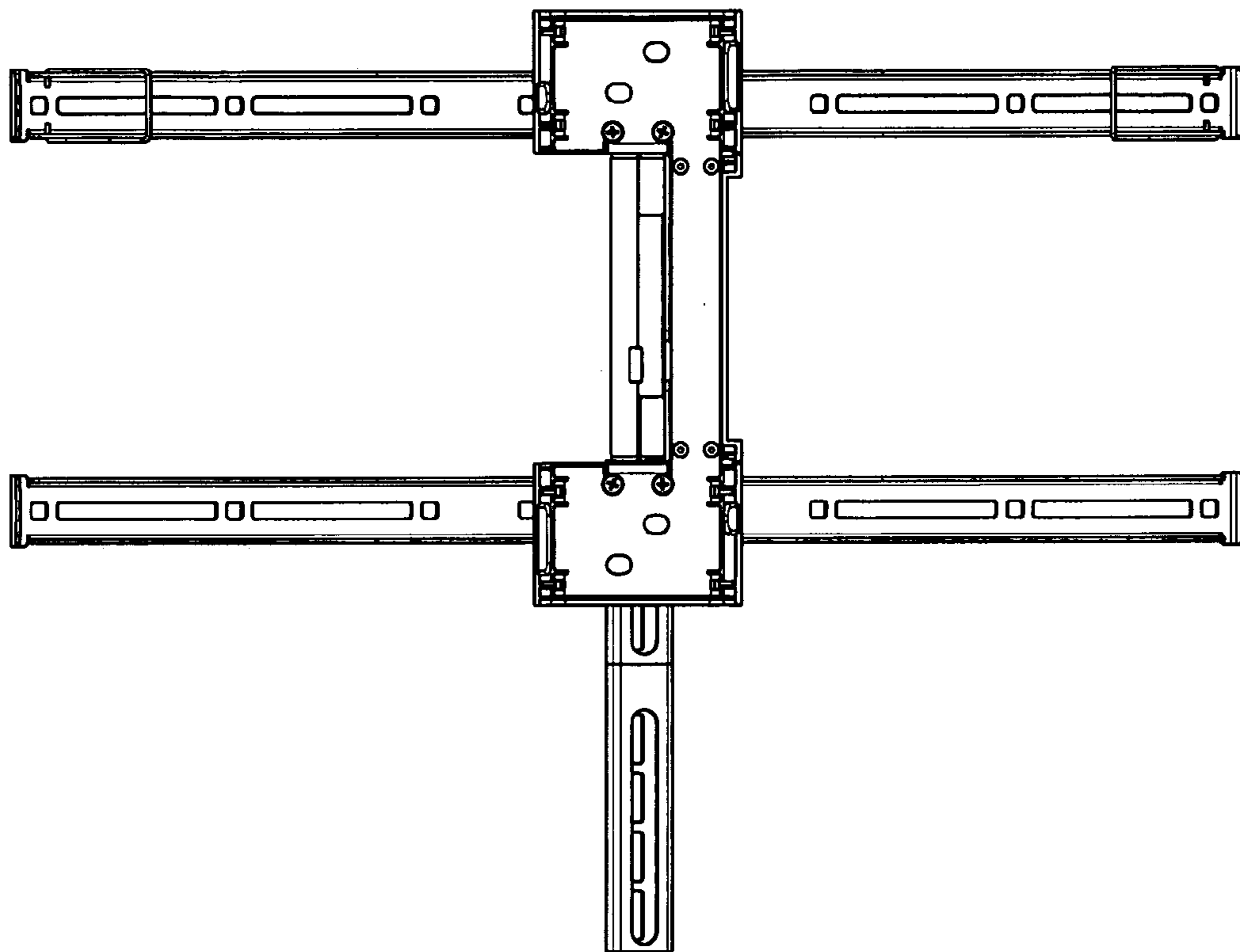


FIG. 4

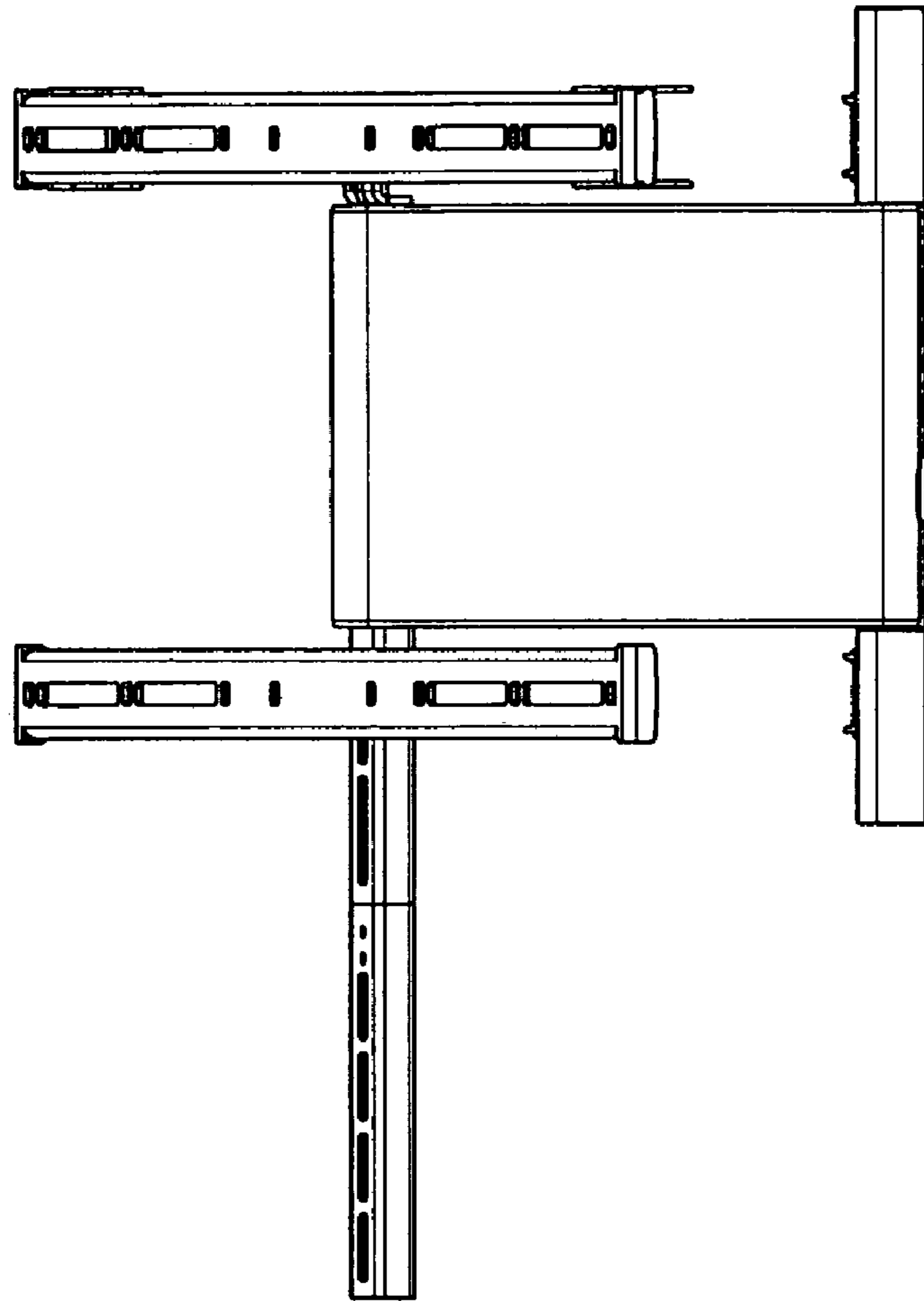


FIG. 5

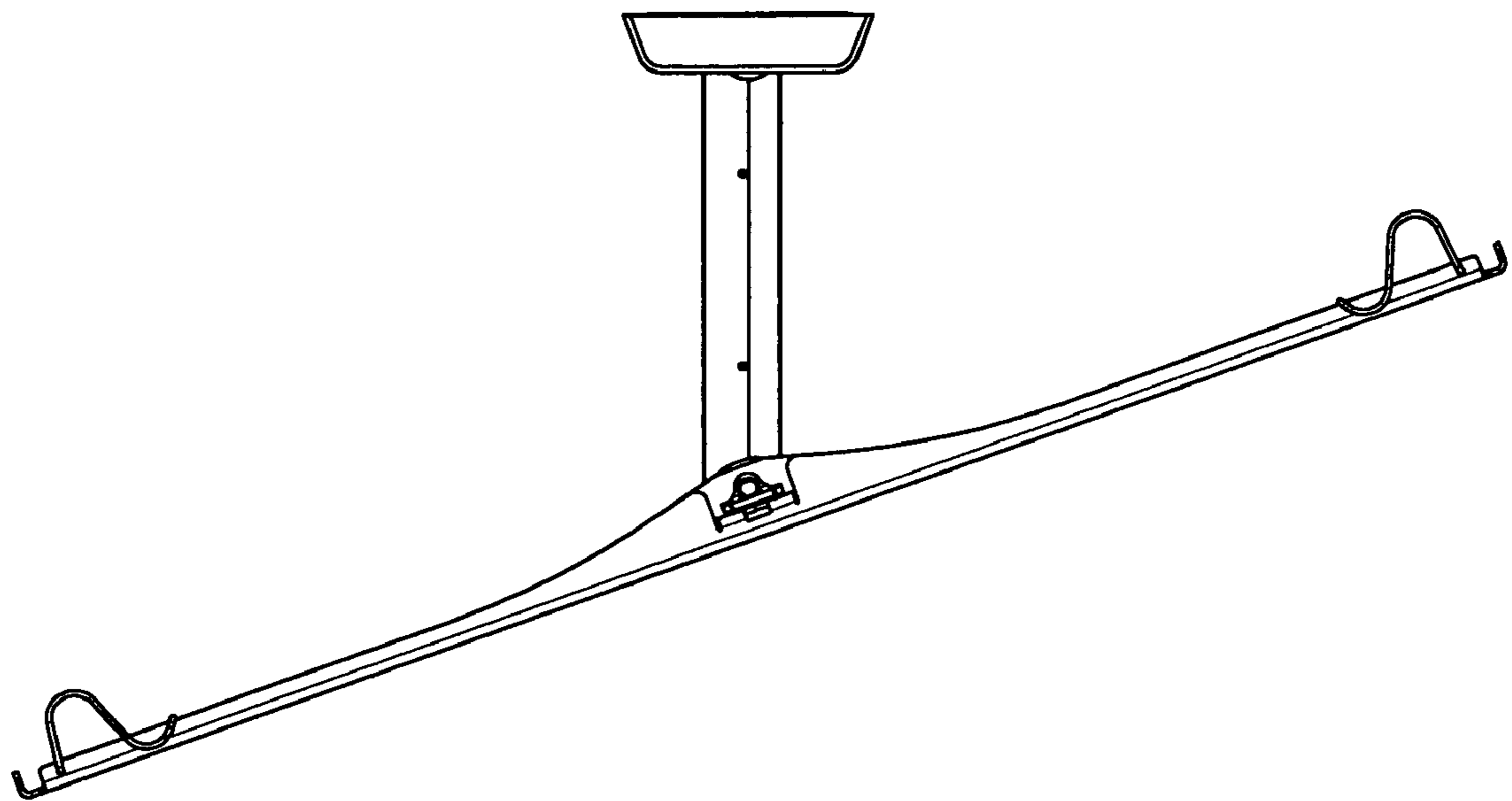


FIG. 6

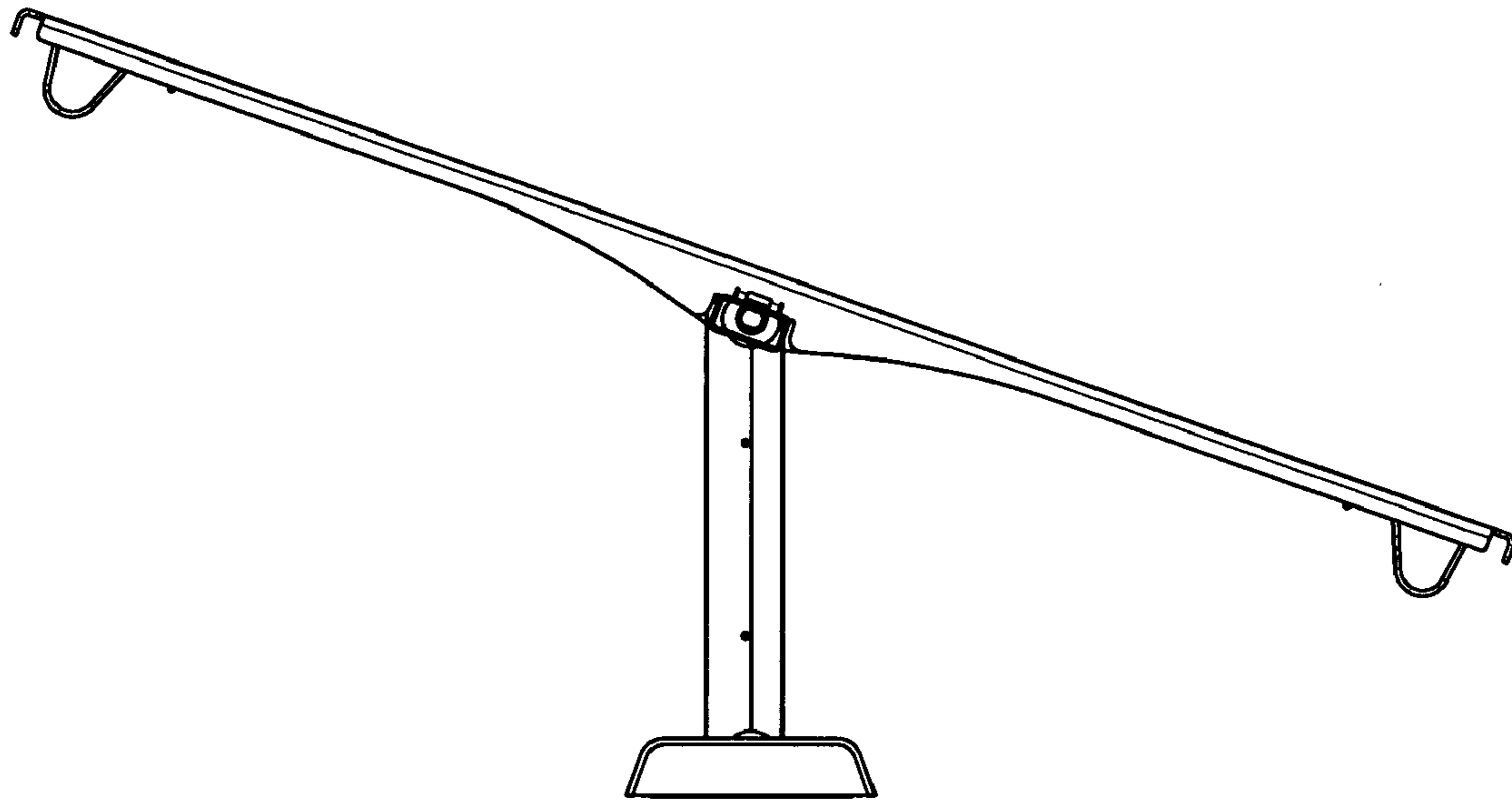


FIG. 7

UNITED STATES PATENT AND TRADEMARK OFFICE
CERTIFICATE OF CORRECTION

PATENT NO. : D634,310 S
APPLICATION NO. : 29/367677
DATED : March 15, 2011
INVENTOR(S) : Luc F. A. Knaapen

Page 1 of 1

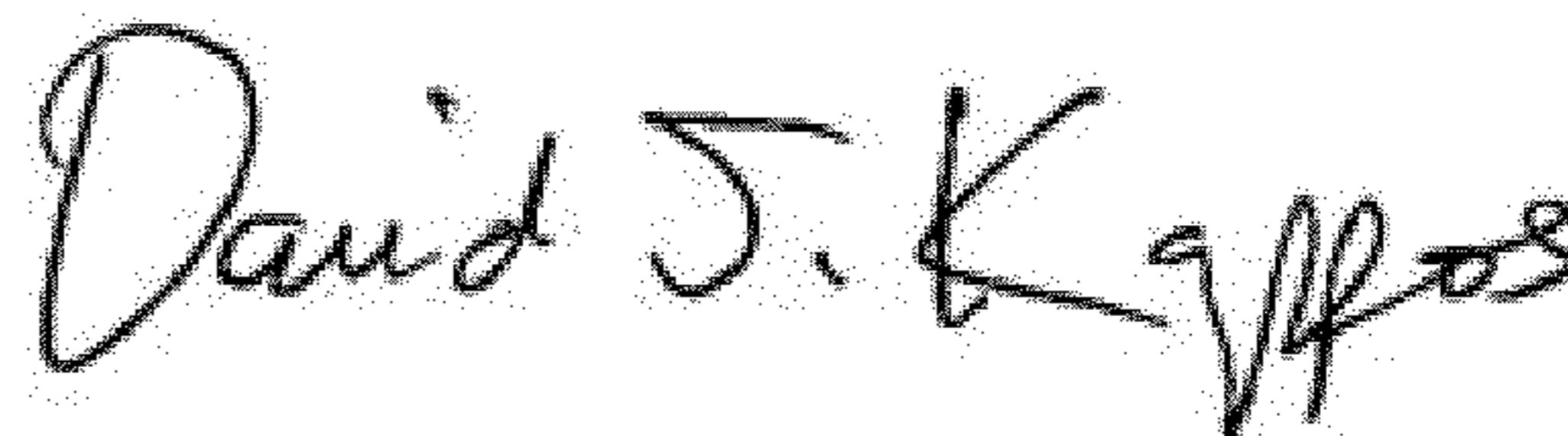
It is certified that error appears in the above-identified patent and that said Letters Patent is hereby corrected as shown below:

Title Page Insert

--(30) Foreign Application Priority Data:

European (EU) Office for Harmonization Application No. 001668872-0001, filed February 11,
2010.--

Signed and Sealed this
Twenty-seventh Day of March, 2012



David J. Kappos
Director of the United States Patent and Trademark Office