



US00D634309S

(12) **United States Design Patent**  
**Bendien et al.**

(10) **Patent No.:** **US D634,309 S**  
(45) **Date of Patent:** **\*\* Mar. 15, 2011**

(54) **MOVABLE WALL MOUNT SUPPORT**

(75) Inventors: **Erik Bendien**, Oirschot (NL); **Ewald van Kuijk**, Eindhoven (NL)

(73) Assignee: **Vogel's Holding B.V.** (NL)

(\*\*) Term: **14 Years**

(21) Appl. No.: **29/367,674**

(22) Filed: **Aug. 11, 2010**

(51) **LOC (9) Cl.** ..... **14-03**

(52) **U.S. Cl.** ..... **D14/239**

(58) **Field of Classification Search** ..... D14/125-134,  
D14/239, 371, 136, 374-377; D8/363, 373,  
D8/349, 394; 248/465, 917-924, 123.11;  
348/825, 827, 836, 837, 838, 180, 184, 325,  
348/739; 600/443; D6/477-479, 407, 474,  
D6/460, 461, 468; 312/7.2; 341/12; 345/87,  
345/104, 133, 156, 168, 169, 173; 720/605,  
720/669, 600, 655; 369/99, 197; 455/344-347;  
349/1, 2, 11, 62; 108/59, 91, 92, 96; 211/40,  
211/41.12, 42, 49.1, 50, 85.2, 90.04, 187,  
211/190, 119.003, 134.153, 87.01, 71.01

See application file for complete search history.

(56) **References Cited**

**U.S. PATENT DOCUMENTS**

5,842,672 A \* 12/1998 Sweere et al. .... 248/278.1  
D416,251 S \* 11/1999 Rosen ..... D14/126  
6,286,794 B1 \* 9/2001 Harbin ..... 248/123.2  
7,063,295 B2 \* 6/2006 Kwon ..... 248/276.1

7,318,572 B2 \* 1/2008 Dozier ..... 248/294.1  
7,380,760 B2 \* 6/2008 Dittmer ..... 248/278.1  
7,448,584 B2 \* 11/2008 Chen et al. .... 248/278.1  
D593,080 S \* 5/2009 Russell et al. .... D14/239  
7,823,849 B2 \* 11/2010 Dittmer et al. .... 248/278.1  
2008/0054147 A1 \* 3/2008 Muday et al. .... 248/316.8

\* cited by examiner

*Primary Examiner* — Raphael Barkai

*Assistant Examiner* — Randall Gholson

(74) *Attorney, Agent, or Firm* — Miller & Martin PLLC

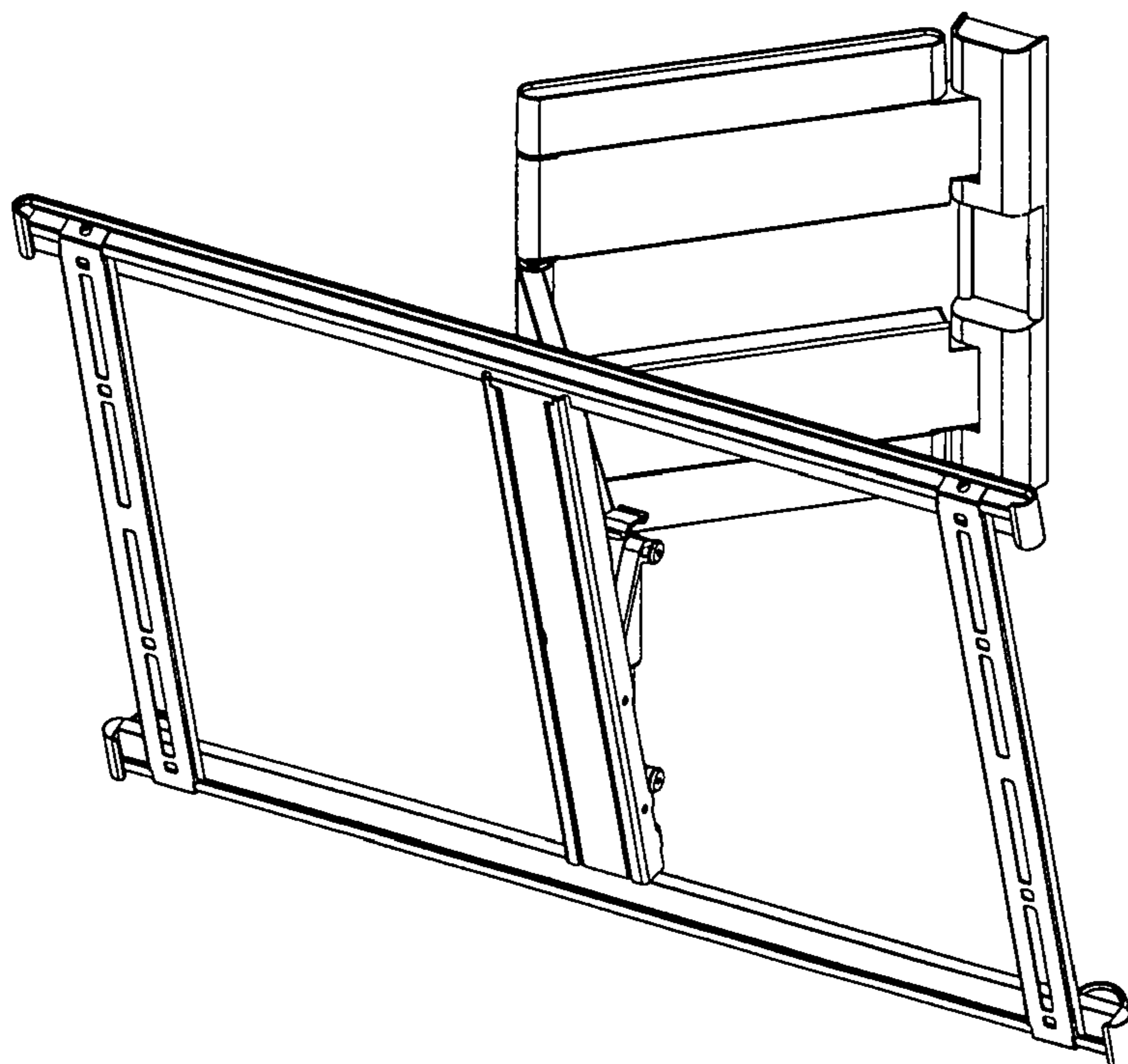
(57) **CLAIM**

The ornamental design for the movable wall mount support, as shown and described.

**DESCRIPTION**

FIG. 1 is a top front right perspective view of the movable wall mount support;  
FIG. 2 is a top front left perspective view of the movable wall mount support shown in FIG. 1;  
FIG. 3 is a right plan view of the movable wall mount support shown in FIG. 1;  
FIG. 4 is a front plan view of the movable wall mount support shown in FIG. 1;  
FIG. 5 is a back plan view of the movable wall mount support shown in FIG. 1;  
FIG. 6 is a top plan view of the movable wall mount support shown in FIG. 1; and,  
FIG. 7 is a bottom plan view of the movable wall mount support shown in FIG. 1.

**1 Claim, 7 Drawing Sheets**



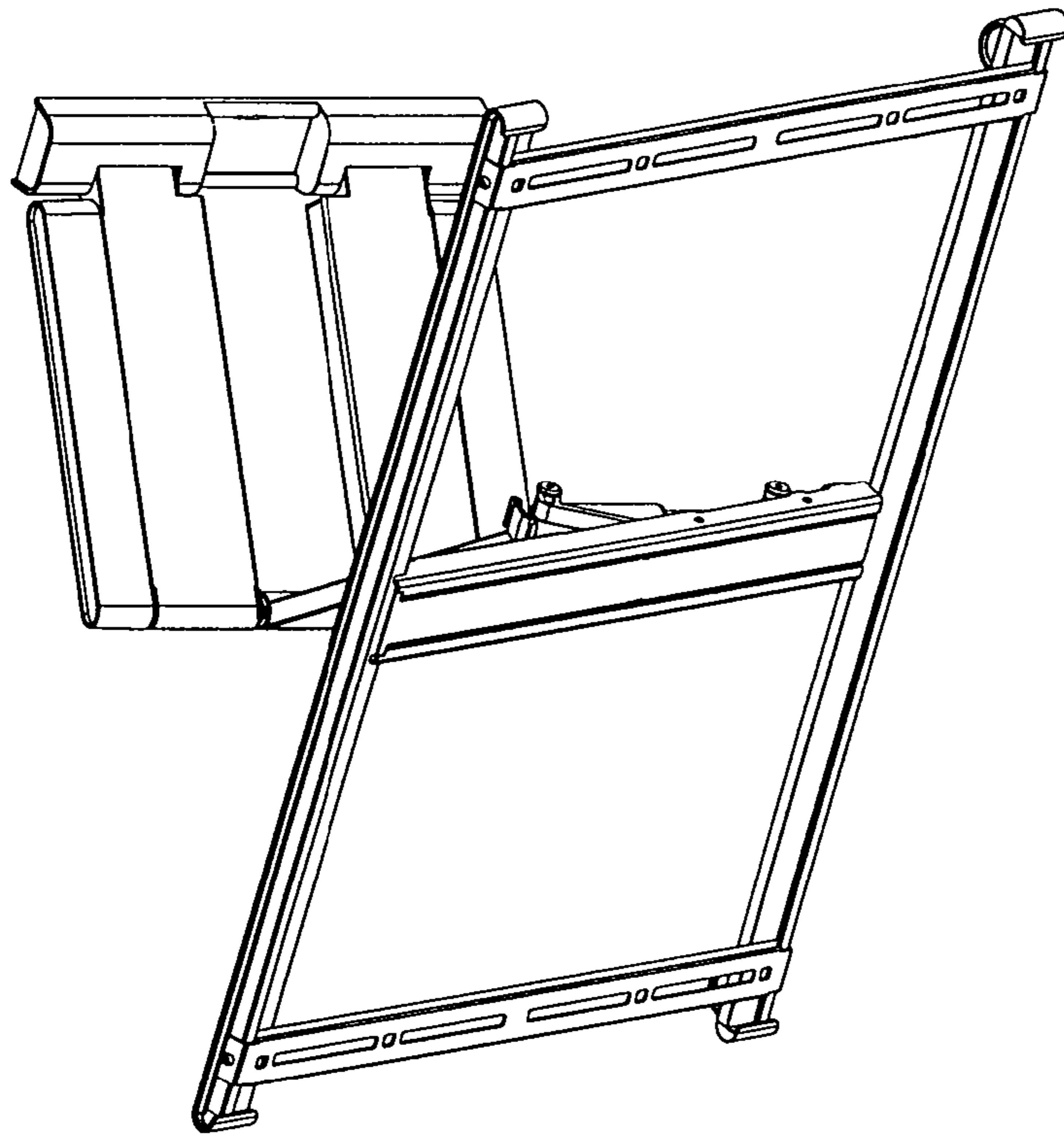


FIG. 1

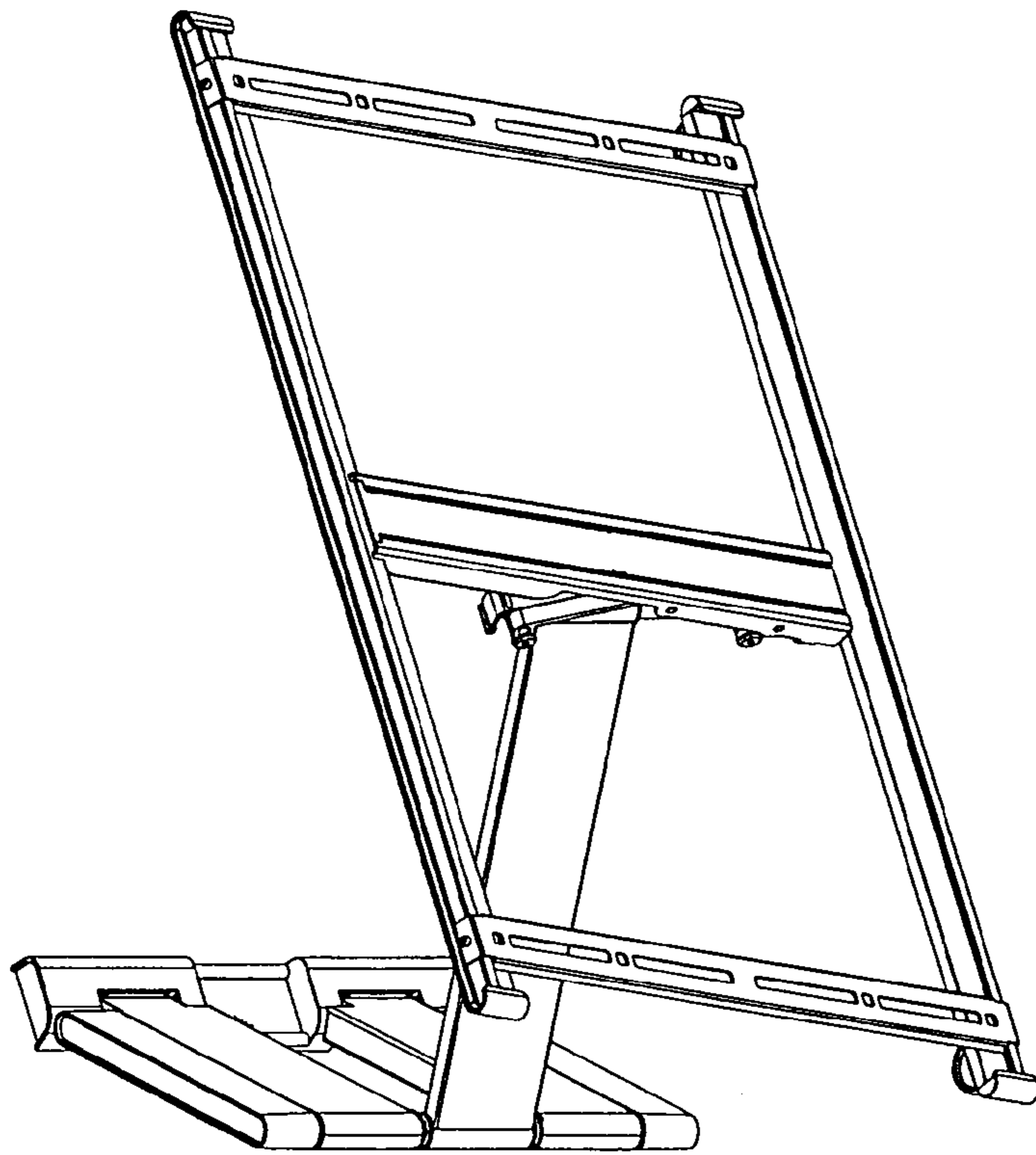


FIG. 2

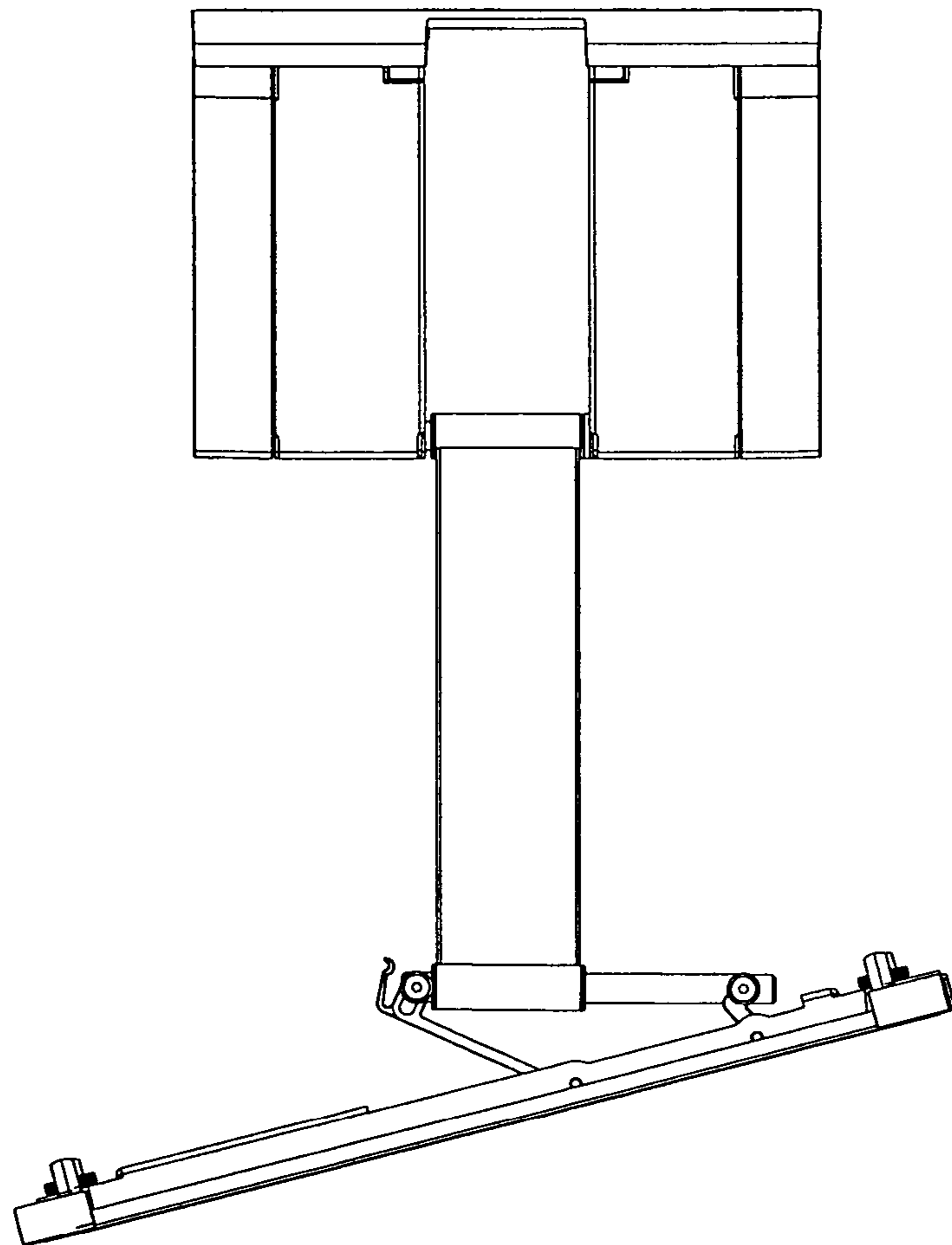


FIG. 3

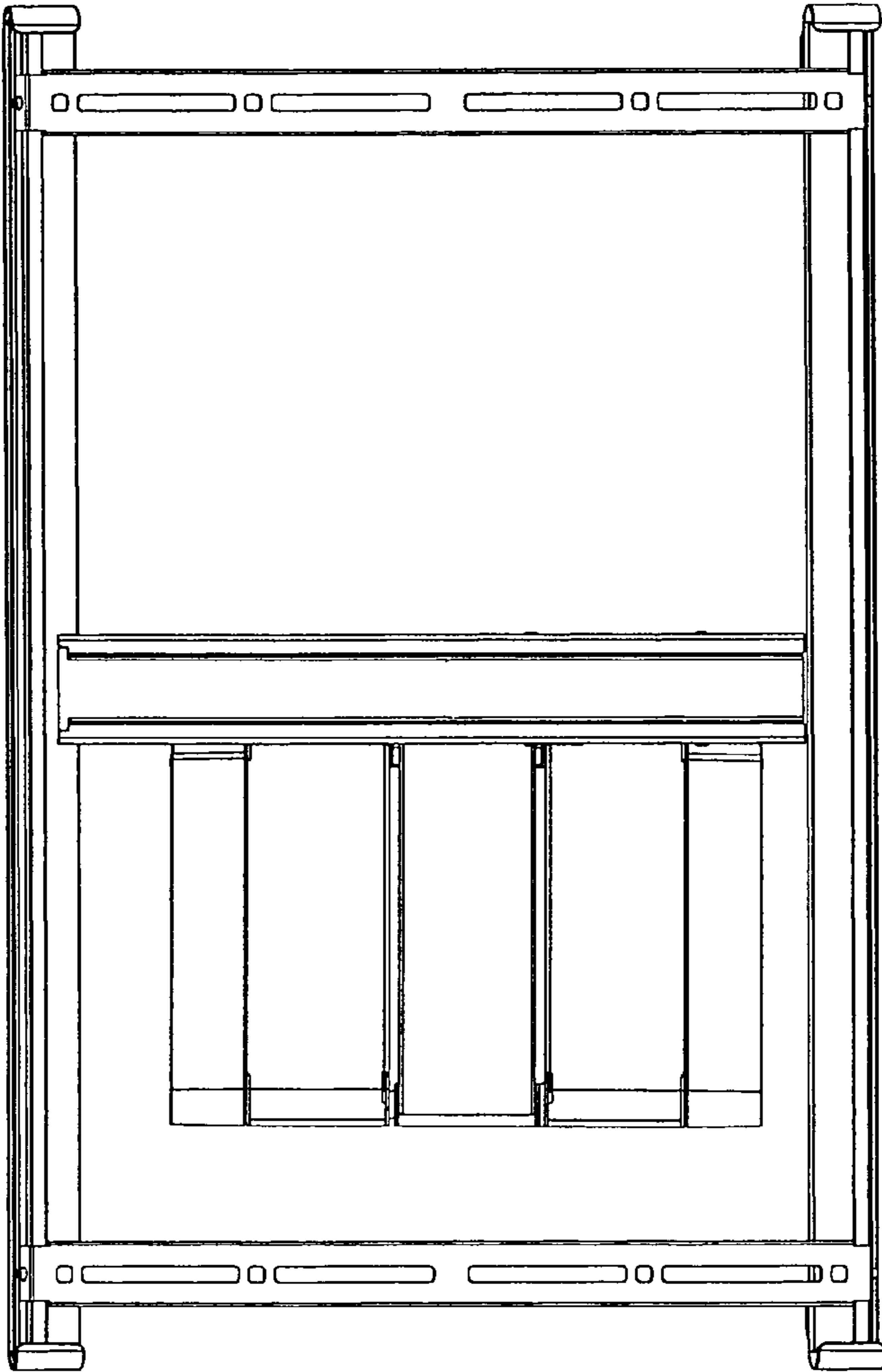


FIG. 4

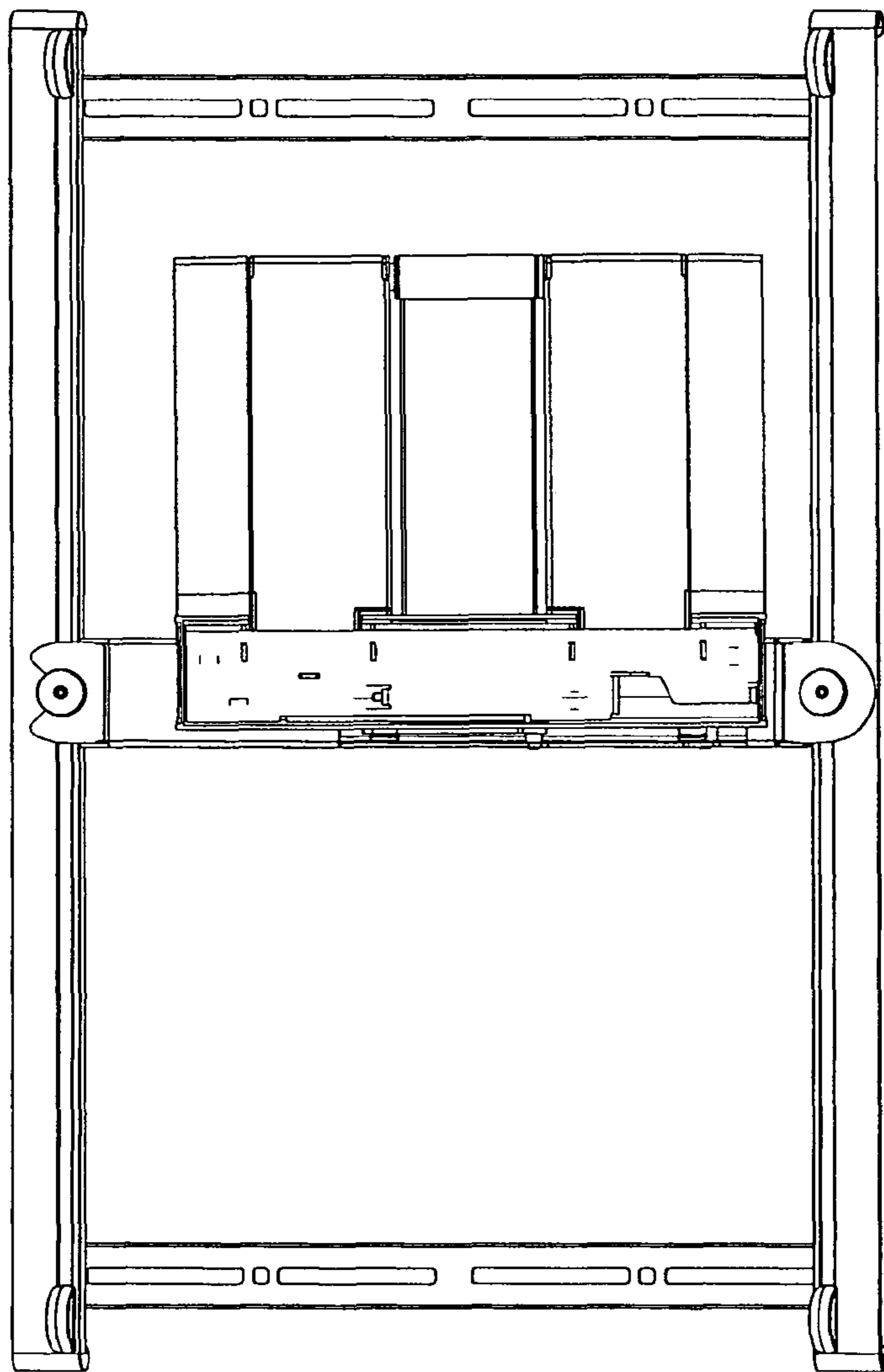


FIG. 5

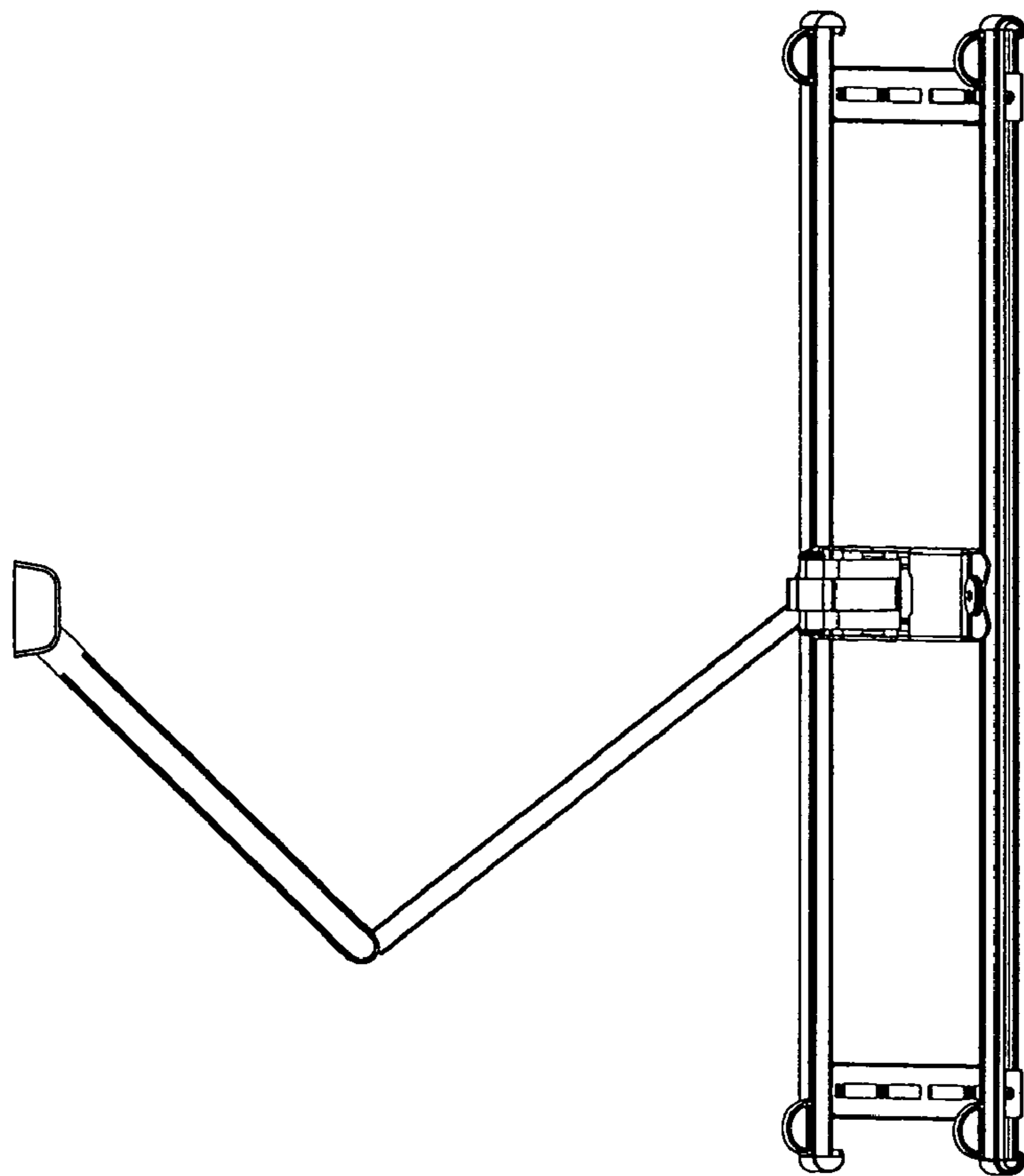


FIG. 6

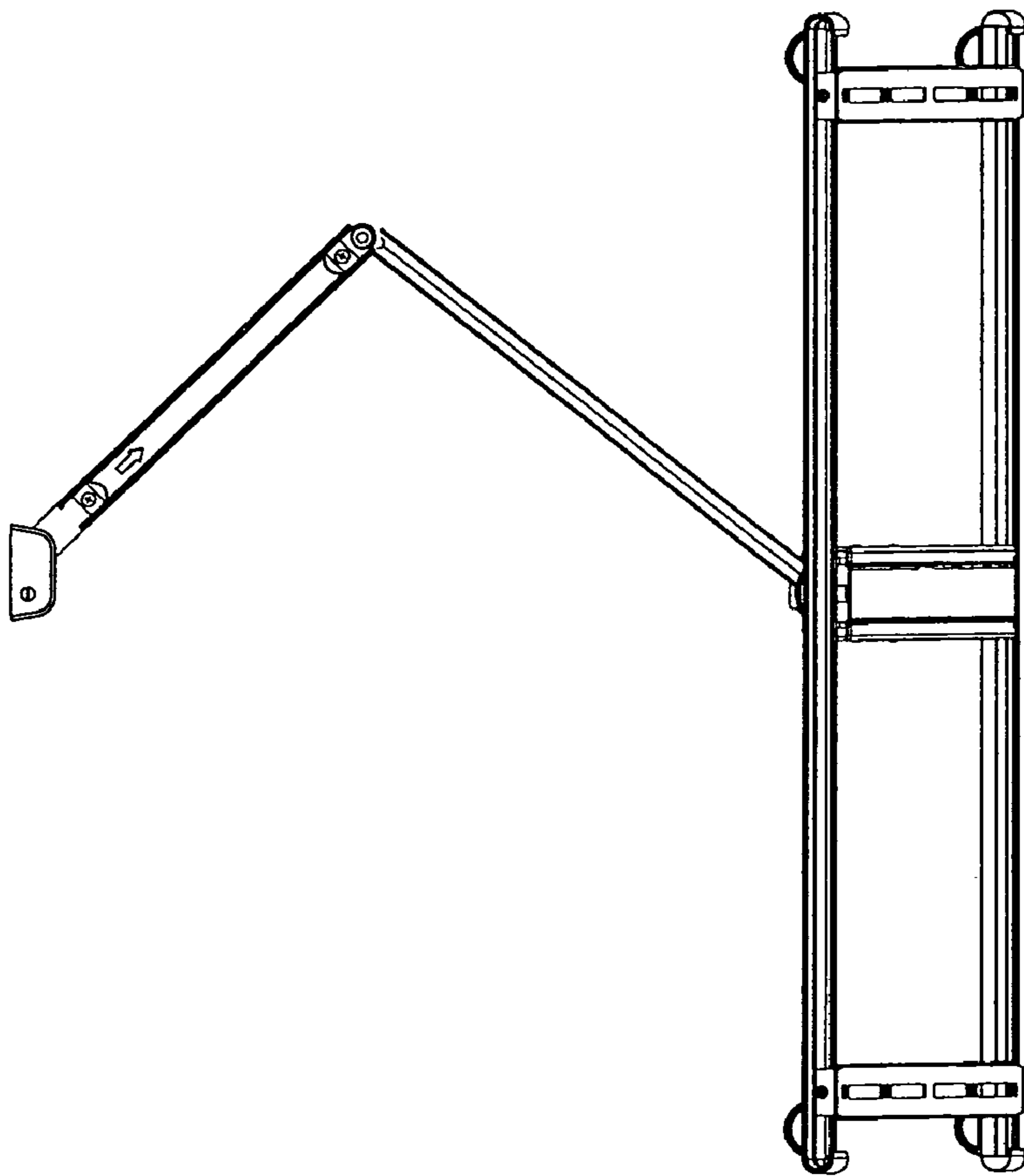


FIG. 7



UNITED STATES PATENT AND TRADEMARK OFFICE  
**CERTIFICATE OF CORRECTION**

PATENT NO. : D634,309 S  
APPLICATION NO. : 29/367674  
DATED : March 15, 2011  
INVENTOR(S) : Erik Bendien and Ewalf van Kuijk et al.

Page 1 of 1

It is certified that error appears in the above-identified patent and that said Letters Patent is hereby corrected as shown below:

On the Title Page, add

Item (30) Foreign Application Priority Data:

European (EU) Office for Harmonization Application No. 001668831-0001, filed February 11, 2010.

Signed and Sealed this  
Tenth Day of January, 2012

A handwritten signature in black ink, reading "David J. Kappos". The signature is written in a cursive style with a large initial "D".

David J. Kappos  
*Director of the United States Patent and Trademark Office*