



US00D634308S

(12) **United States Design Patent**
Bliss et al.

(10) **Patent No.:** **US D634,308 S**
(45) **Date of Patent:** **** Mar. 15, 2011**

- (54) **ANTENNA**
- (75) Inventors: **Joseph Bliss**, Hinckley, OH (US); **Jack Nilsson**, Medina, OH (US)
- (73) Assignee: **MP Antenna, Ltd.**, North Ridgeville, OH (US)
- (**) Term: **14 Years**
- (21) Appl. No.: **29/369,889**
- (22) Filed: **Sep. 15, 2010**
- (51) **LOC (9) Cl.** **14-03**
- (52) **U.S. Cl.** **D14/233**
- (58) **Field of Classification Search** D14/230–238, D14/299; 343/700 R, 840, 841, 908, 772–775; 455/3.02, FOR. 215, 575.2; D10/114, 121
See application file for complete search history.

- 6,111,549 A 8/2000 Feller
- D436,101 S * 1/2001 McGovern et al. D14/140.5
- 6,486,849 B2 11/2002 Buckles
- 6,697,031 B2 2/2004 Jocher
- 7,006,047 B2 2/2006 Marsan et al.
- 7,348,933 B2 3/2008 Nilsson
- D570,722 S * 6/2008 Taylor D10/114
- 7,456,799 B1 11/2008 Cohen
- D592,088 S 5/2009 Miller
- D601,053 S * 9/2009 Ferrie et al. D10/114
- D623,633 S 9/2010 Bliss et al.
- D625,299 S * 10/2010 Kits van Heyningen et al. D14/233
- 2001/0004000 A1 6/2001 Qian et al.
- 2005/0110649 A1* 5/2005 Fredericks et al. 340/815.45

* cited by examiner

Primary Examiner — Celia A Murphy

Assistant Examiner — John Windmuller

(74) *Attorney, Agent, or Firm* — Tarolli, Sundheim, Covell & Tummino LLP

(56) **References Cited**

U.S. PATENT DOCUMENTS

- 2,509,903 A 5/1950 Brode et al.
- D225,221 S * 11/1972 Sikorsky et al. D10/109
- 3,757,698 A * 9/1973 Jacobson 244/131
- 3,787,865 A 1/1974 MacDowell et al.
- 3,987,456 A 10/1976 Gelin
- D245,447 S 8/1977 Brudy et al.
- D275,673 S 9/1984 Iino et al.
- D282,172 S 1/1986 Mabuchi
- 4,851,859 A 7/1989 Rappaport
- 4,864,320 A 9/1989 Munson et al.
- D307,143 S * 4/1990 Ashihara D14/230
- D327,691 S * 7/1992 Ogawa et al. D14/230
- D333,661 S * 3/1993 Elliott et al. D14/236
- 5,521,610 A 5/1996 Rodal
- 5,561,439 A 10/1996 Moilanen
- 5,568,162 A 10/1996 Samsel et al.
- 5,684,493 A * 11/1997 Floyd et al. 343/709
- D402,991 S * 12/1998 Mosser D14/230
- 6,023,245 A * 2/2000 Gomez et al. 343/725
- D425,512 S * 5/2000 Waldner D14/230

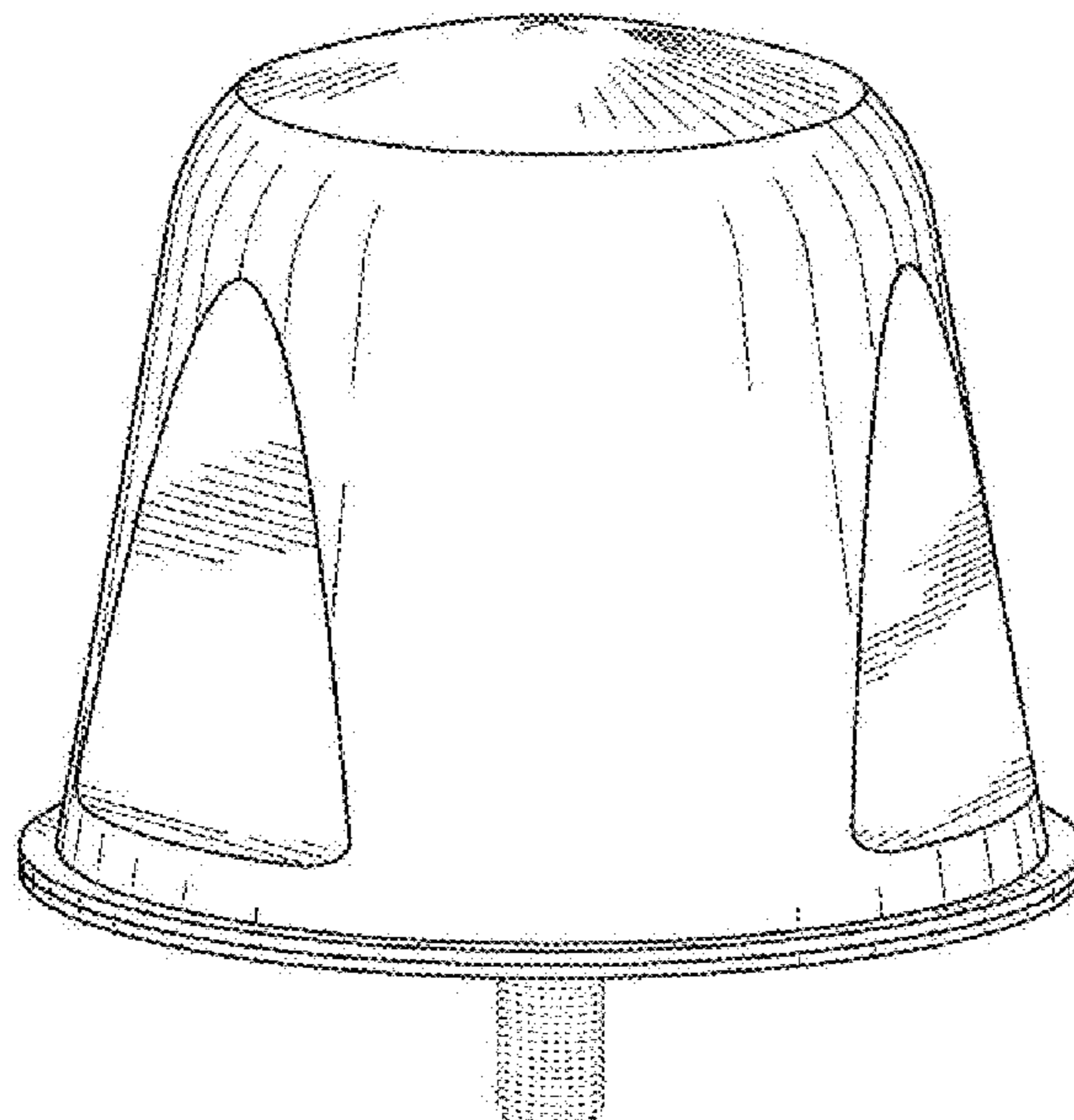
(57) **CLAIM**

The ornamental design for an antenna, as shown and described.

DESCRIPTION

FIG. 1 is a perspective top view of an antenna showing our new design;
 FIG. 2 is a perspective bottom view of the antenna;
 FIG. 3 is a first side elevation view of the antenna;
 FIG. 4 is a second side elevation view of the antenna;
 FIG. 5 is a third side elevation view of the antenna;
 FIG. 6 is a fourth side elevation view of the antenna;
 FIG. 7 is a top plan view of the antenna; and,
 FIG. 8 is a bottom plan view of the antenna.
 The broken line showing of a threaded member in the figures represents a portion of the antenna that forms no part of the claimed design.

1 Claim, 4 Drawing Sheets



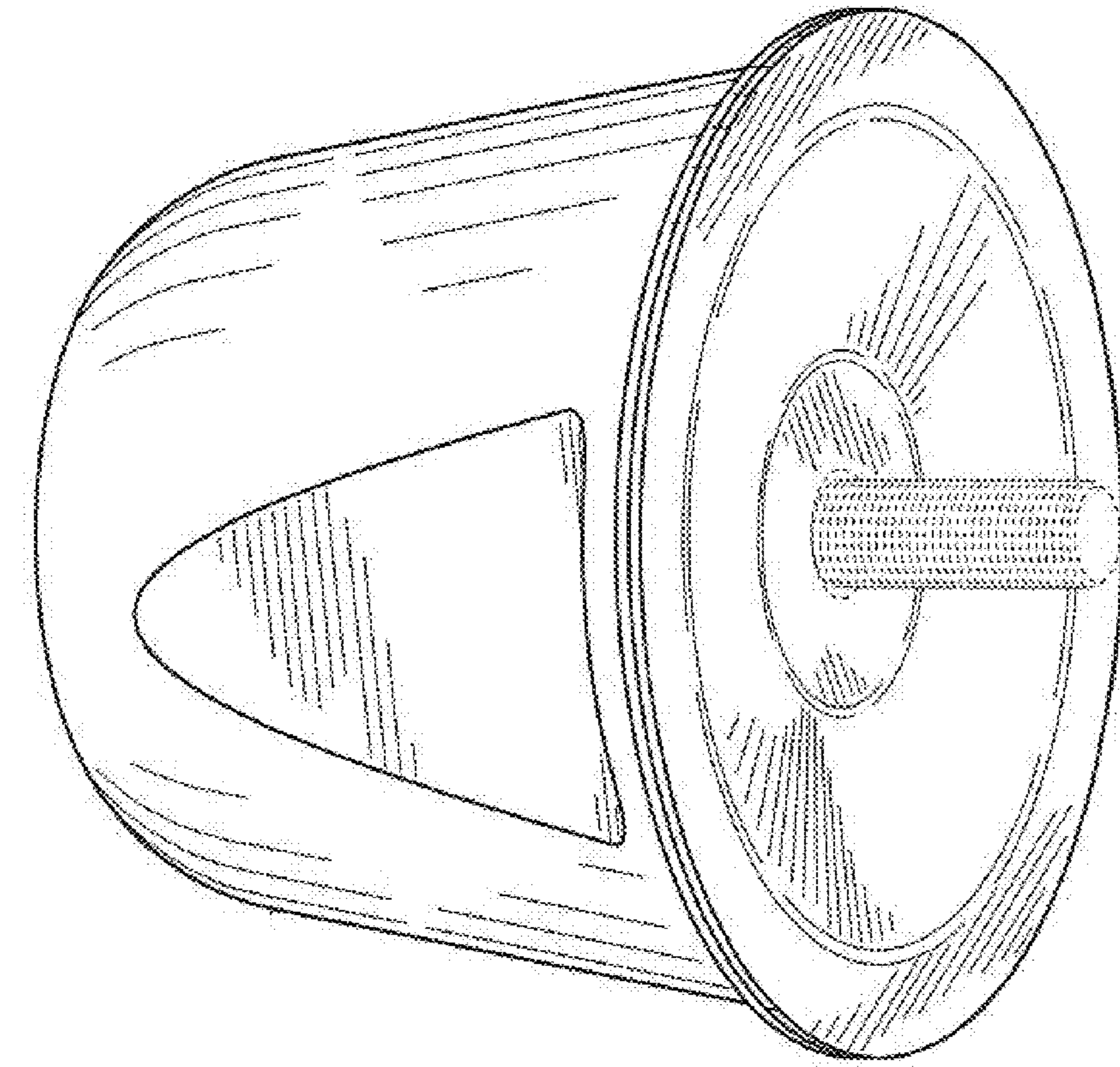


Fig. 1

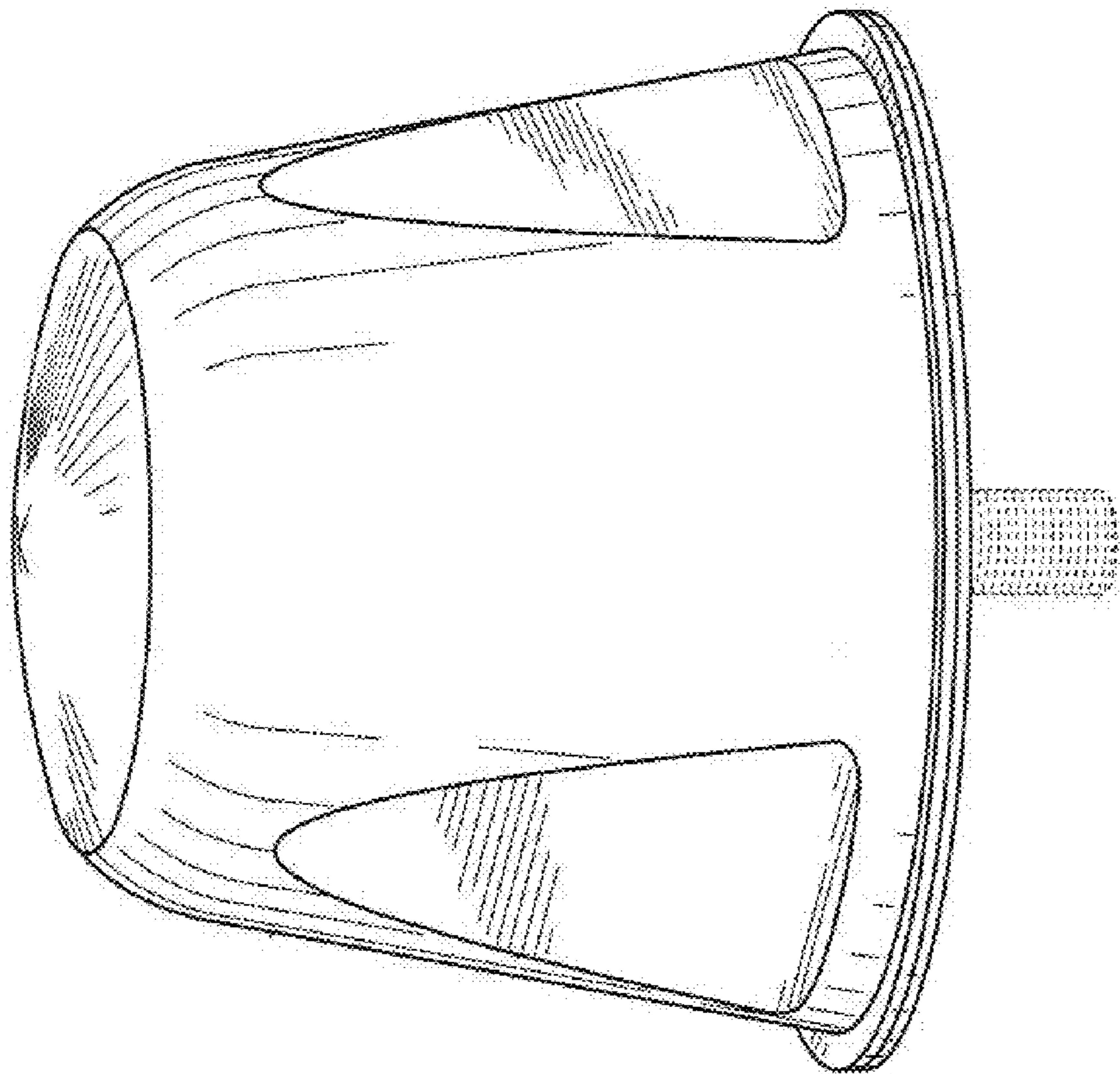


Fig. 2

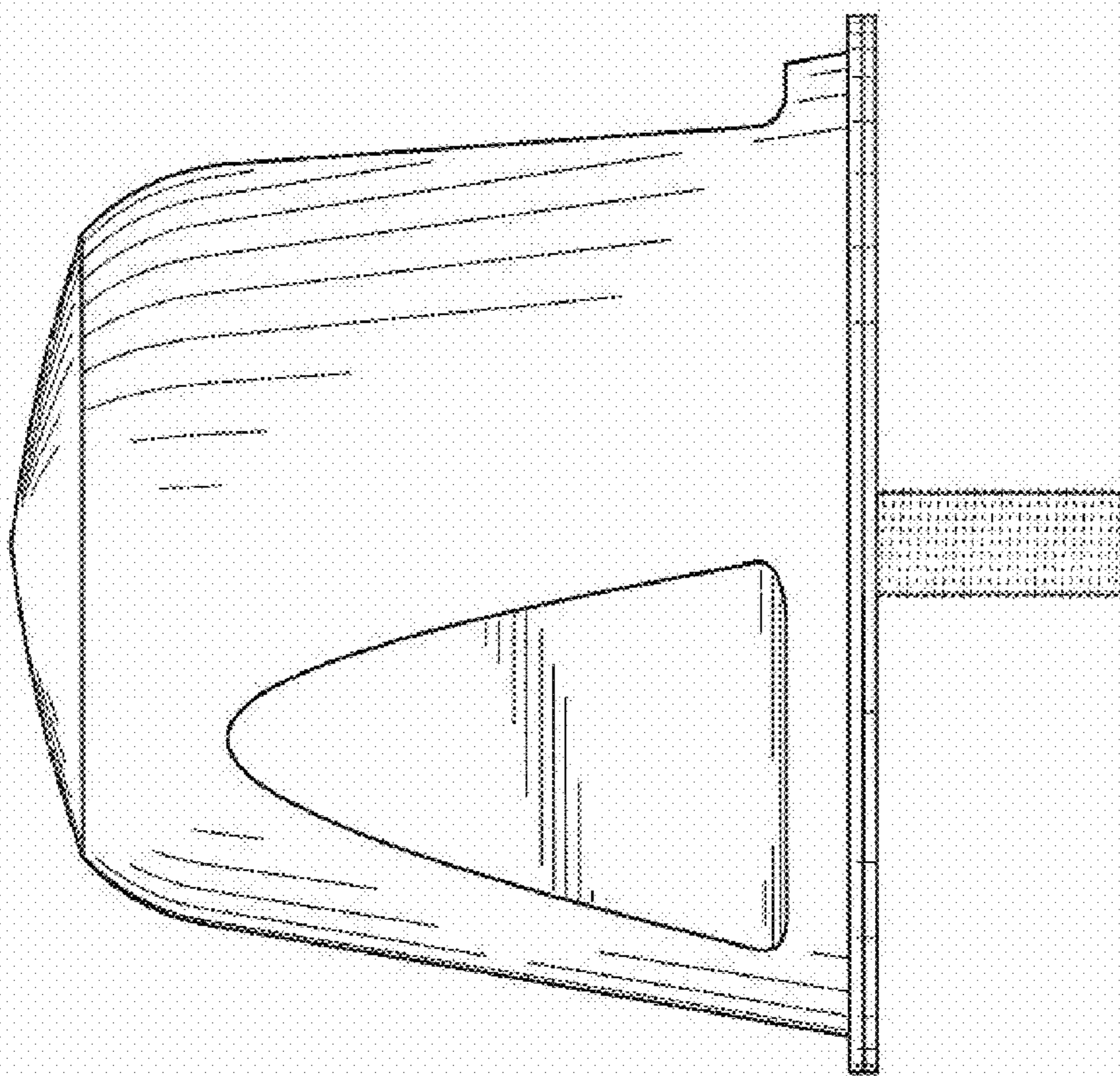


Fig. 3

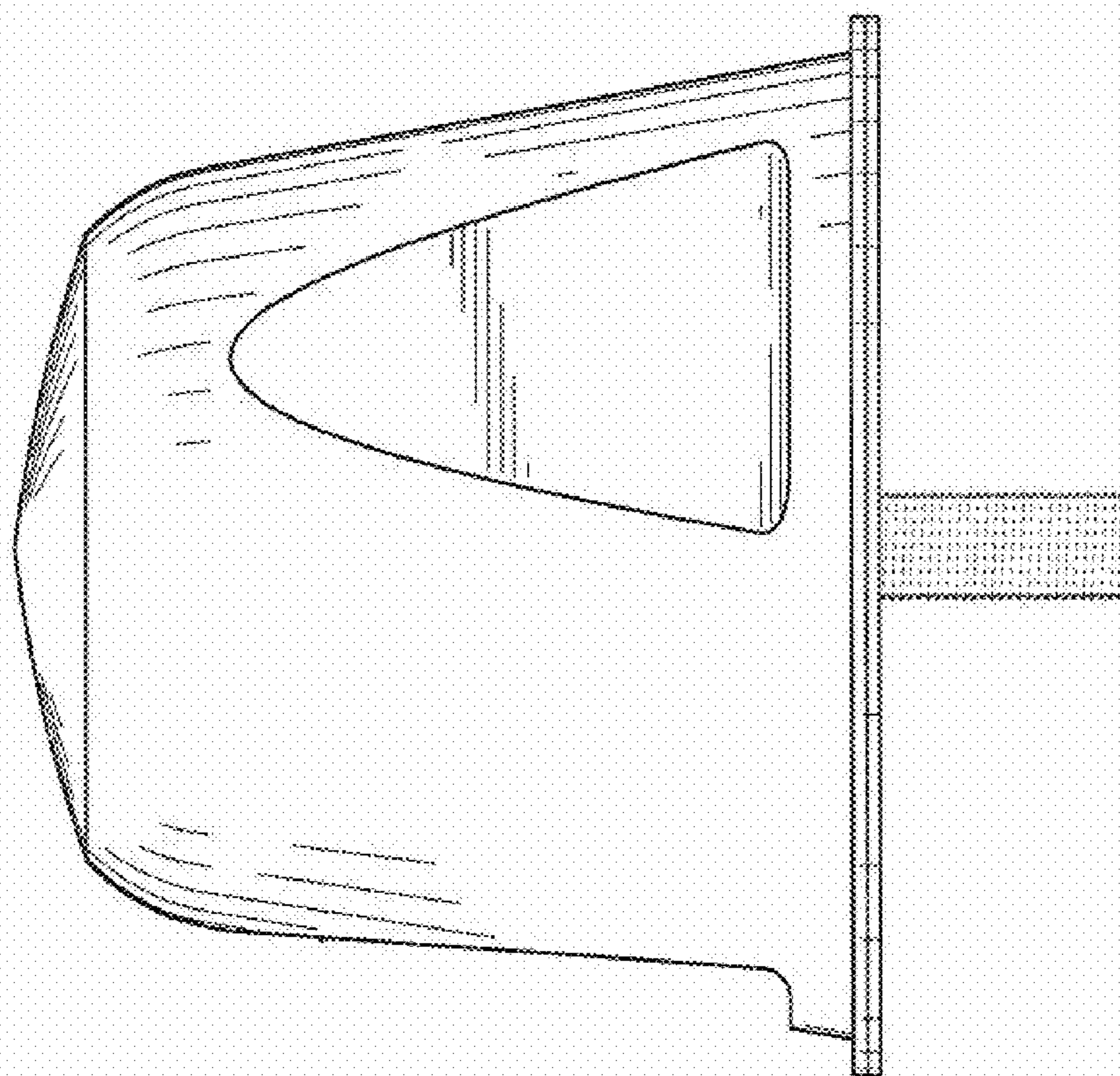


Fig. 4

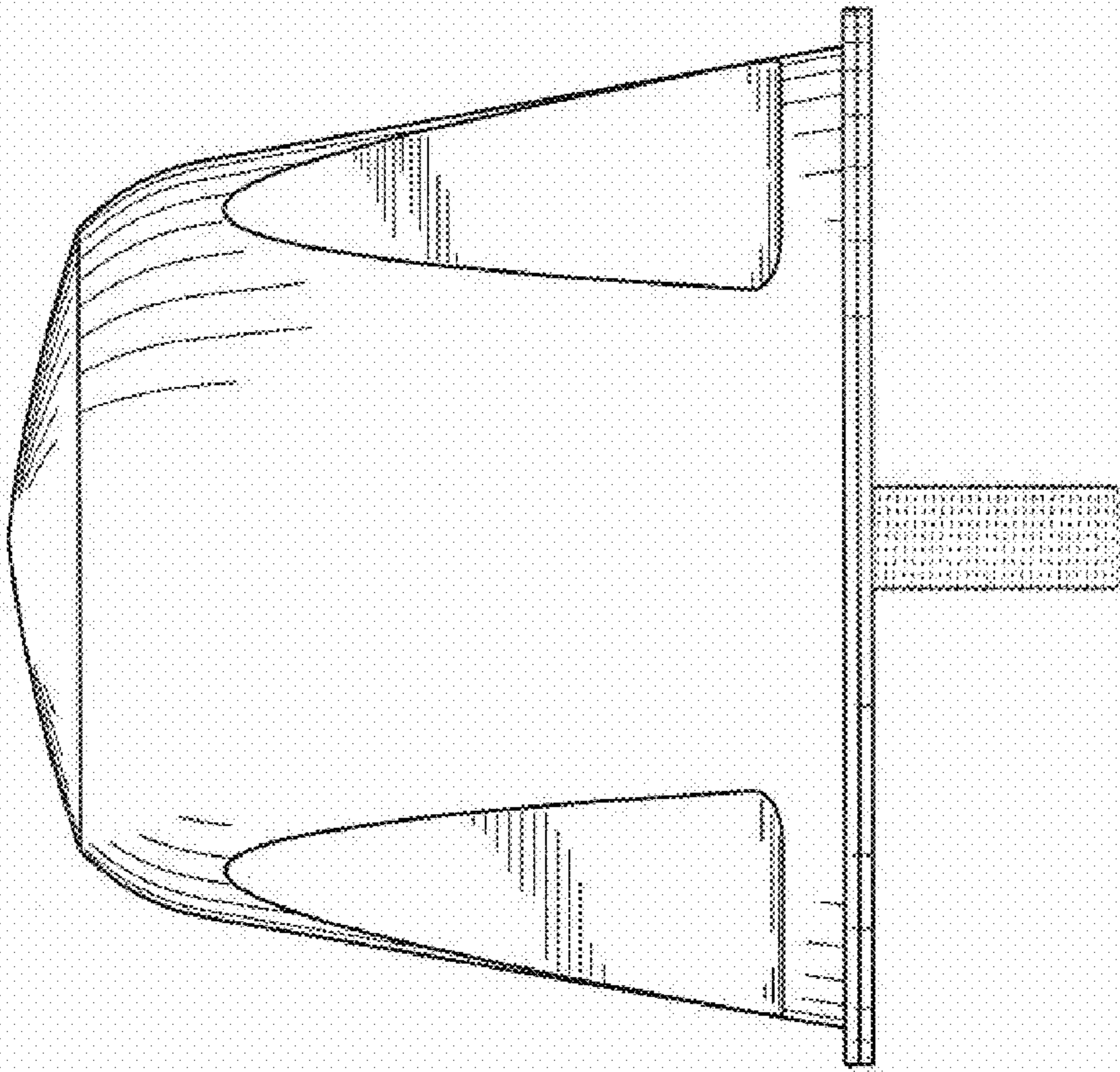


Fig. 5

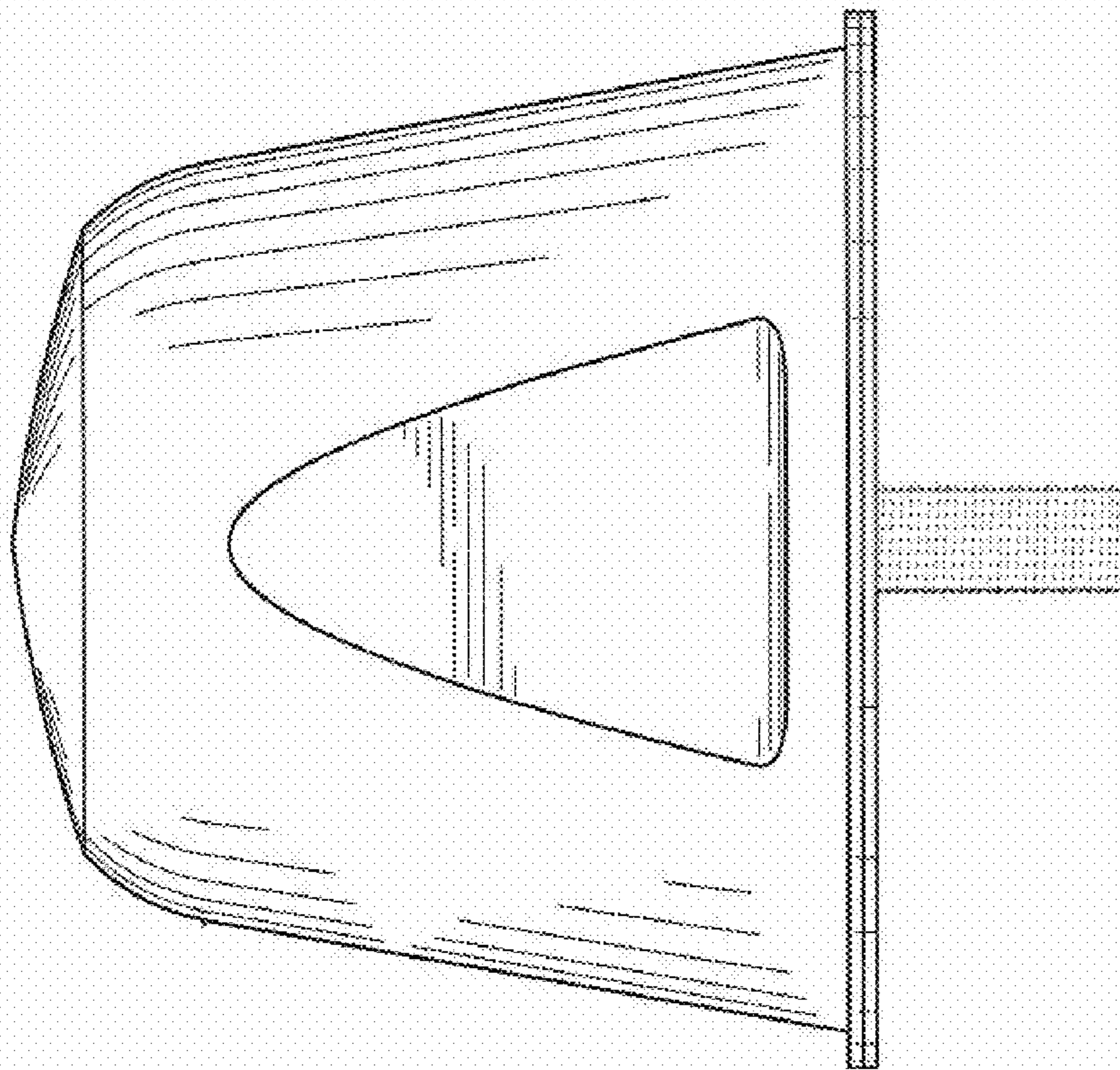


Fig. 6

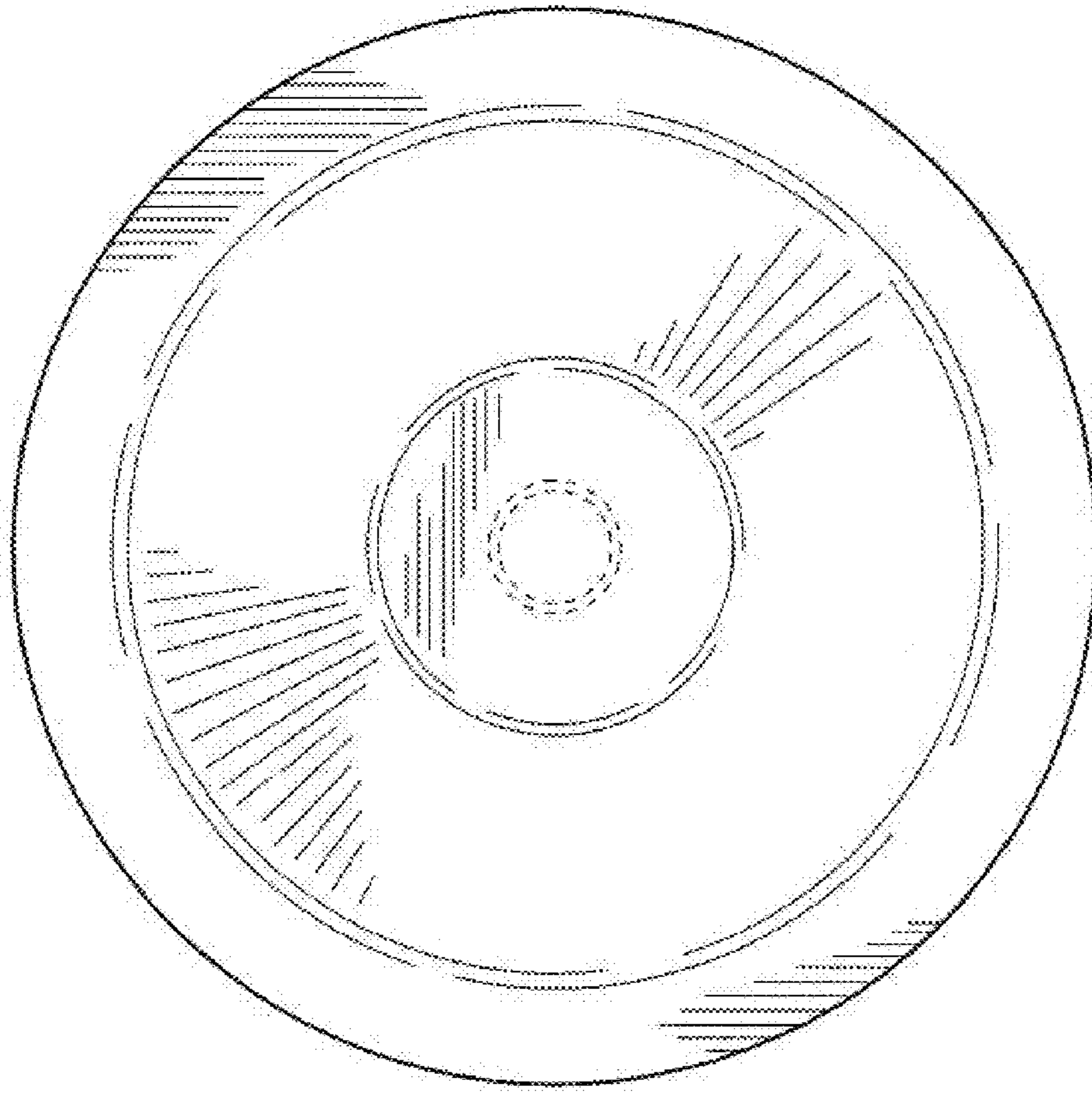


Fig. 8

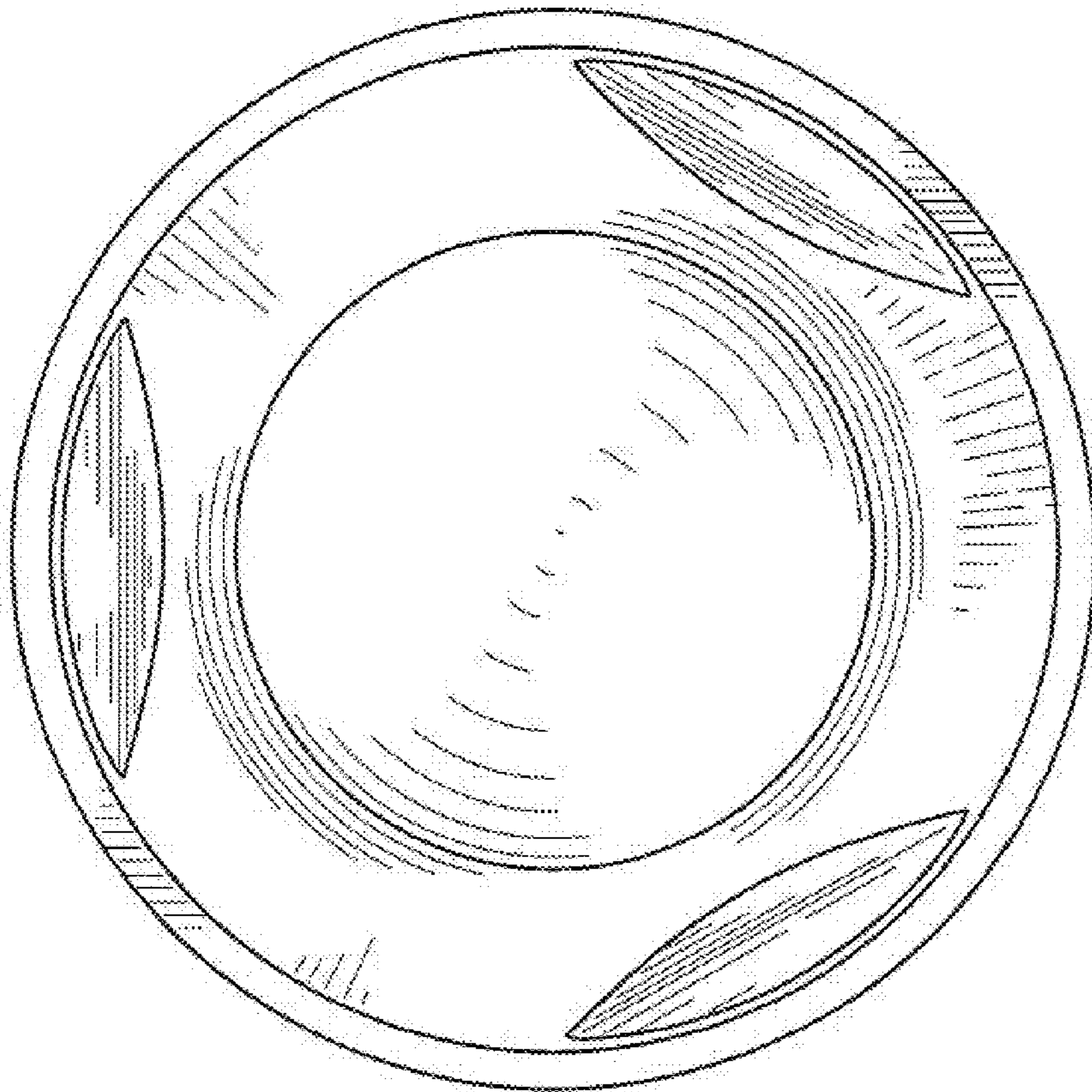


Fig. 7