



US00D634306S

(12) **United States Design Patent**
Pedersen

(10) **Patent No.:** **US D634,306 S**

(45) **Date of Patent:** **** Mar. 15, 2011**

(54) **IN EAR EARSET**

(75) Inventor: **Vidar Pedersen**, Fredrikstad (NO)

(73) Assignee: **Freebit AS**, Oslo (NO)

(**) Term: **14 Years**

(21) Appl. No.: **29/353,718**

(22) Filed: **Jan. 13, 2010**

(51) **LOC (9) Cl.** **14-01**

(52) **U.S. Cl.** **D14/223**

(58) **Field of Classification Search** D14/205,
D14/206, 223; 181/129, 130, 135; 379/430,
379/431; 381/380, 381; D24/174; 128/865,
128/866, 867; 455/575.1, 575.2, 90.3

See application file for complete search history.

(56) **References Cited**

U.S. PATENT DOCUMENTS

D53,093 S	3/1919	Thompson	
1,453,969 A	5/1923	Brown	
1,556,774 A	10/1925	Fensky	
1,824,427 A	9/1931	Fensky	
2,443,329 A	6/1948	Sears	
2,481,387 A	9/1949	Bonecutter	
2,521,162 A	9/1950	Harris	
2,584,402 A	2/1952	Volkman	
2,606,255 A	8/1952	Tullis	
2,625,612 A	1/1953	Rheins et al.	
D170,086 S	7/1953	Harmon	
D171,692 S	3/1954	Fechter et al.	
D185,740 S	7/1959	Criswell	
D188,539 S	8/1960	Dettloff	
3,192,894 A	7/1965	Staver	
D236,213 S	8/1975	Paterson	
D237,090 S	10/1975	Yanagawa	
D261,510 S	10/1981	Havens	
4,381,830 A	5/1983	Jelonek et al.	
4,720,857 A *	1/1988	Burris et al.	379/430
4,864,611 A	9/1989	Helmuth	

4,972,492 A *	11/1990	Tanaka et al.	381/380
D337,118 S *	7/1993	Seikita	D14/223
D337,589 S *	7/1993	Wada	D14/223
D388,093 S	12/1997	Frengley	
5,844,984 A *	12/1998	Yamaguchi et al.	379/430
5,991,652 A *	11/1999	Barthelemy et al.	600/474
D419,564 S	1/2000	McDonald et al.	
D430,145 S	8/2000	Boyden et al.	
D455,835 S *	4/2002	Anderson et al.	D24/174
6,574,345 B1 *	6/2003	Huang	381/380
6,690,807 B1	2/2004	Meyer	
D494,568 S	8/2004	Pan	
6,772,853 B2	8/2004	Yang	
6,914,997 B2	7/2005	MacDonald et al.	
D508,479 S	8/2005	Okada	
D514,551 S *	2/2006	Lee et al.	D14/223
D516,058 S *	2/2006	Garcia	D14/205
D532,770 S *	11/2006	Engstrom et al.	D14/205
D543,972 S	6/2007	Taylor	
D550,200 S *	9/2007	Drambarean et al.	D14/205

(Continued)

Primary Examiner — Paula Greene

(74) *Attorney, Agent, or Firm* — Senniger Powers LLP

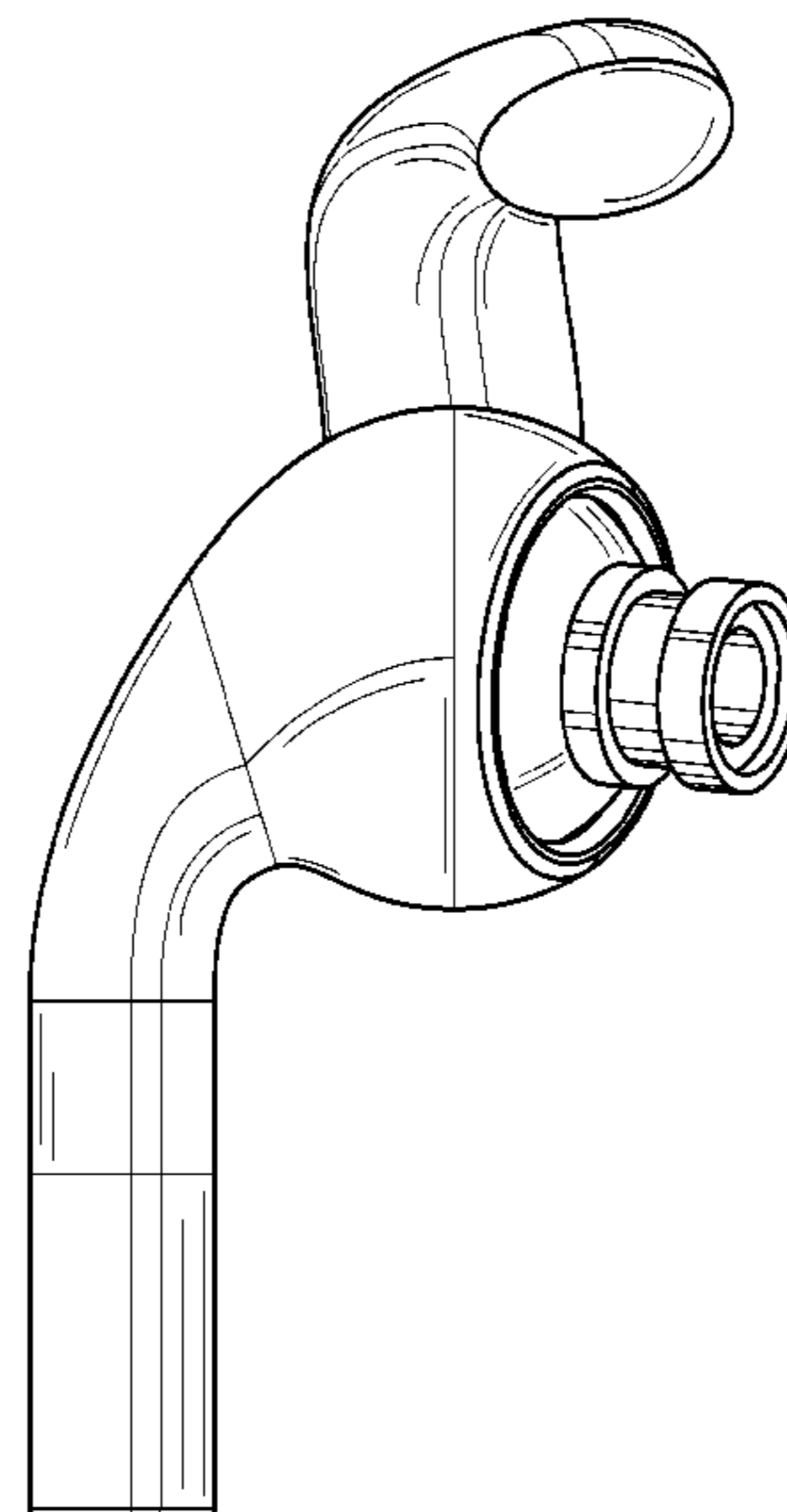
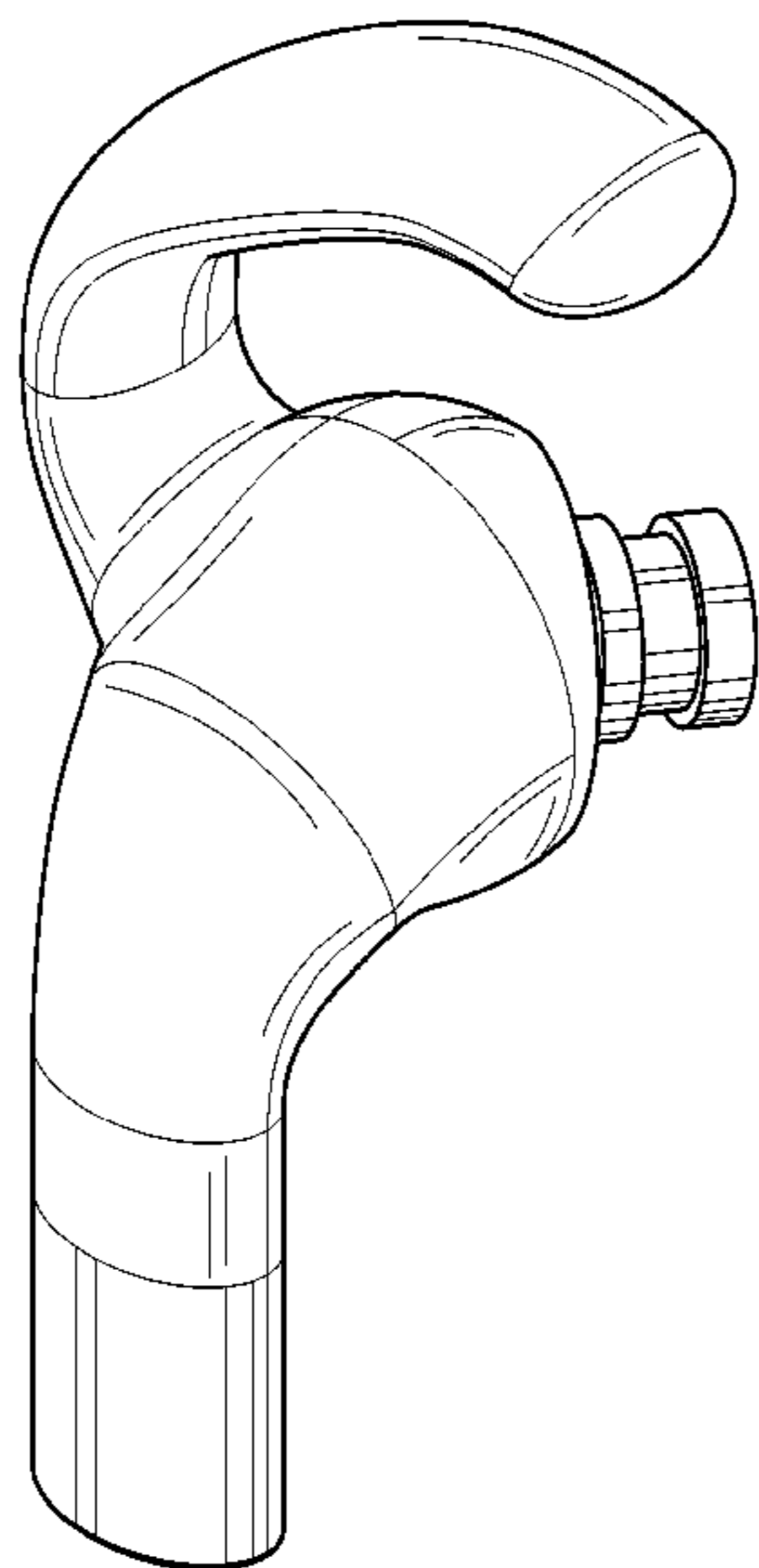
(57) **CLAIM**

The ornamental design for an in ear earset, as shown and described.

DESCRIPTION

FIG. 1 is a perspective of an in ear earset of the present invention;
FIG. 2 is a front elevation of the earset;
FIG. 3 is a right elevation of the earset;
FIG. 4 is a top plan of the earset;
FIG. 5 is a rear elevation of the earset;
FIG. 6 is a left elevation of the earset; and,
FIG. 7 is a bottom plan of the earset.
Broken lines illustrate features forming no part of the claimed design.

1 Claim, 7 Drawing Sheets



US D634,306 S

Page 2

U.S. PATENT DOCUMENTS

D550,655 S *	9/2007	Falco	D14/223	D575,278 S	8/2008	Guccione et al.	
D557,689 S *	12/2007	Huang	D14/223	D583,804 S *	12/2008	Mahler et al.	D14/223
D565,022 S *	3/2008	Belliveau et al.	D14/205	D584,293 S	1/2009	Kim et al.	
D566,104 S	4/2008	Suzuki		D585,429 S	1/2009	Dean	

* cited by examiner

FIG. 1

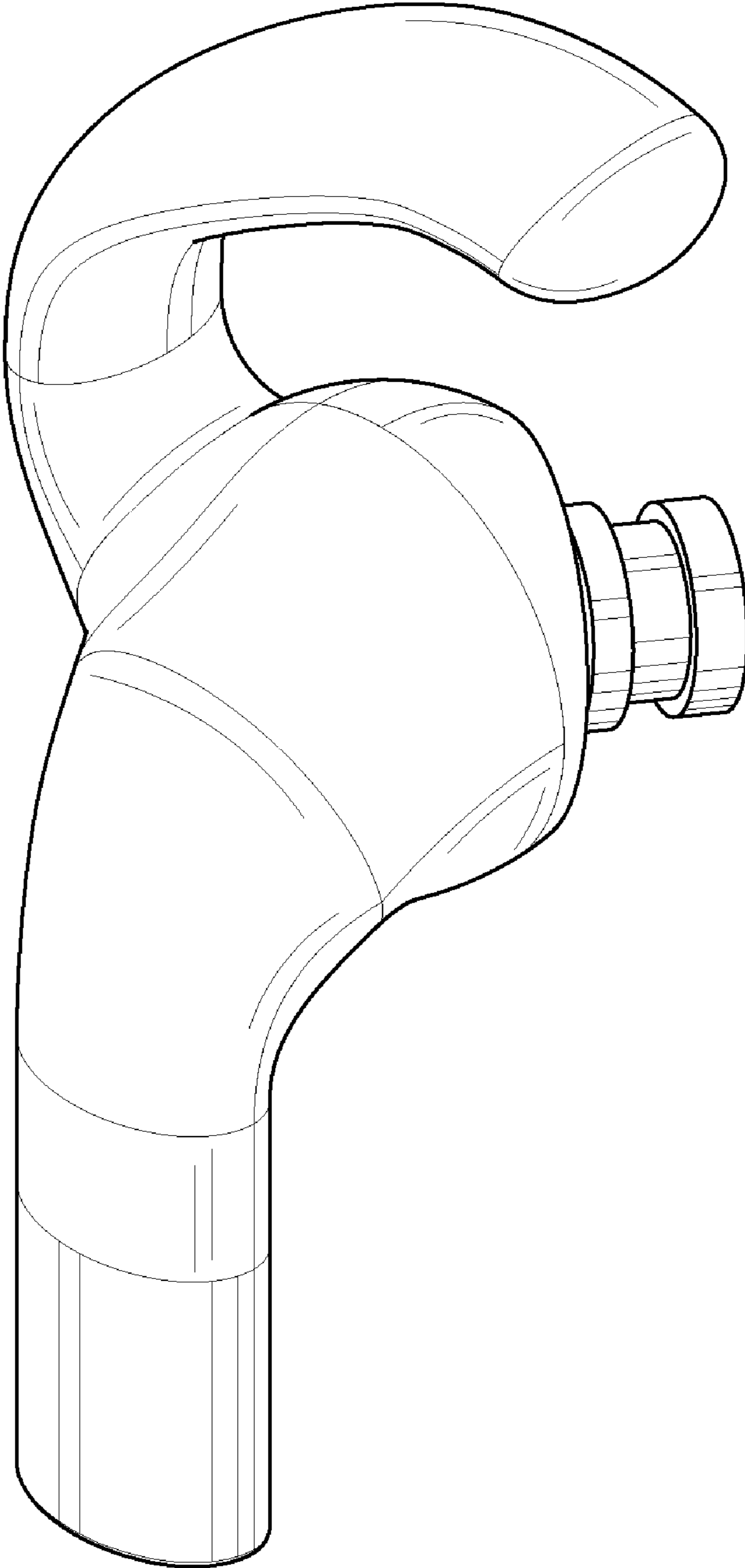


FIG. 2

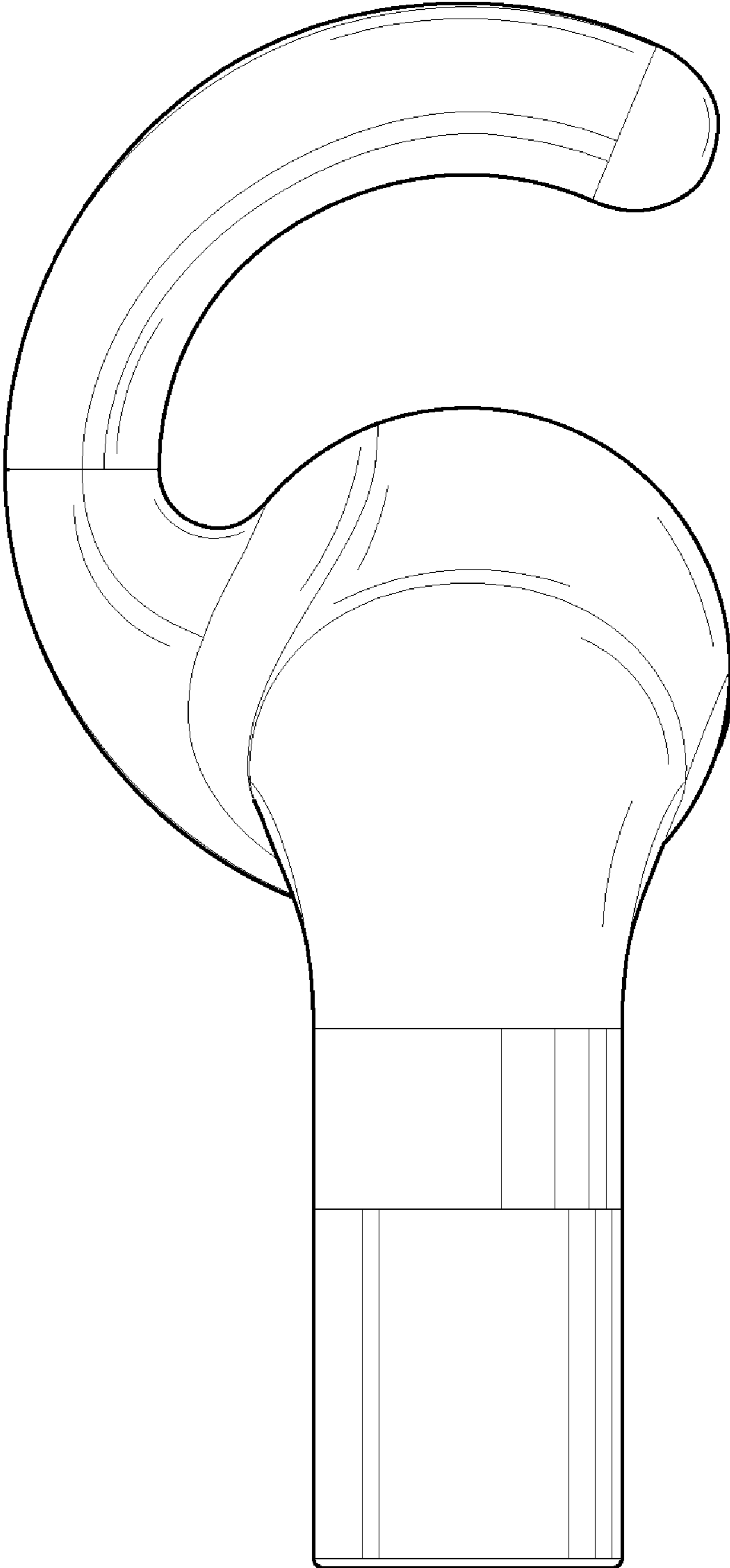


FIG. 3

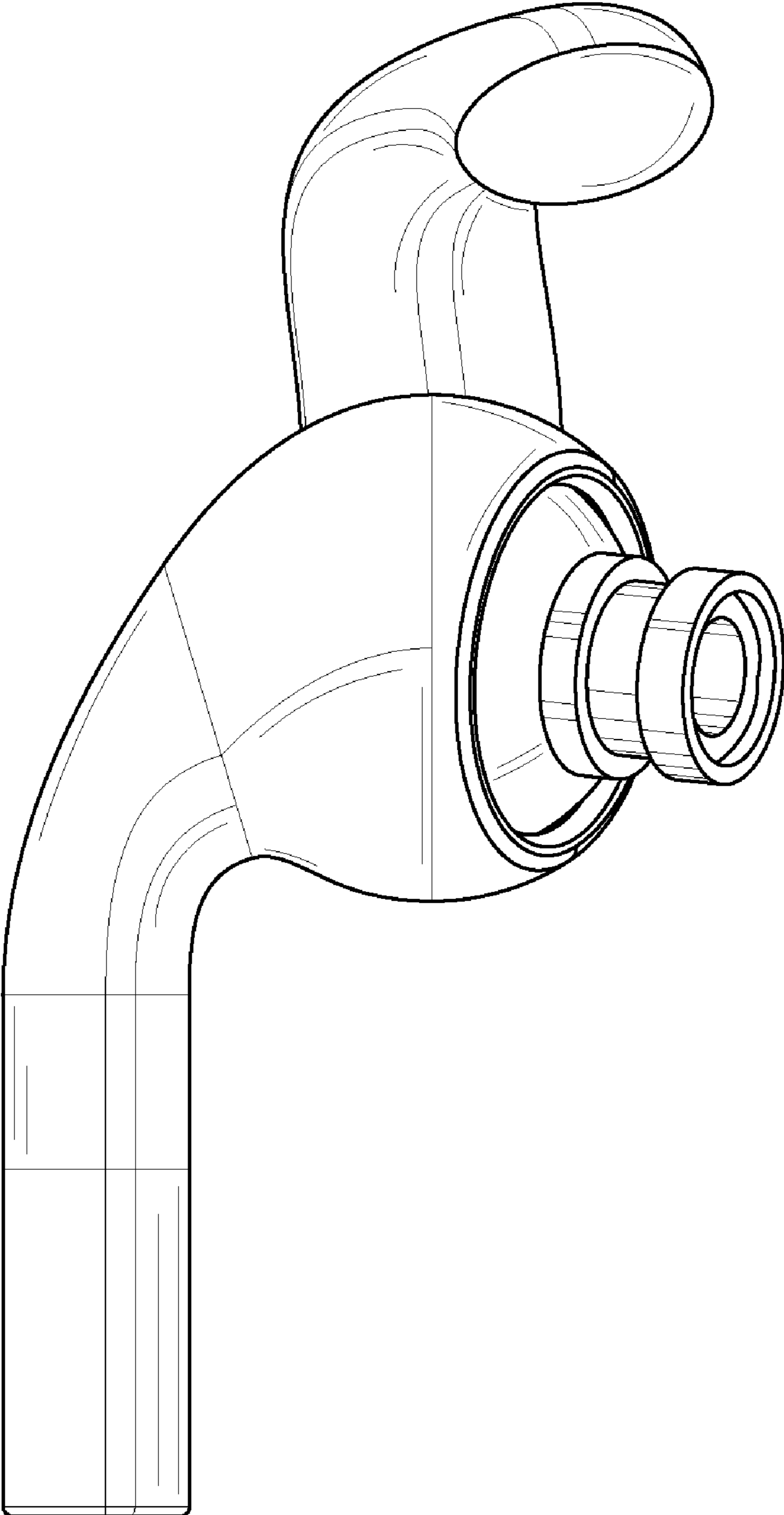


FIG. 4

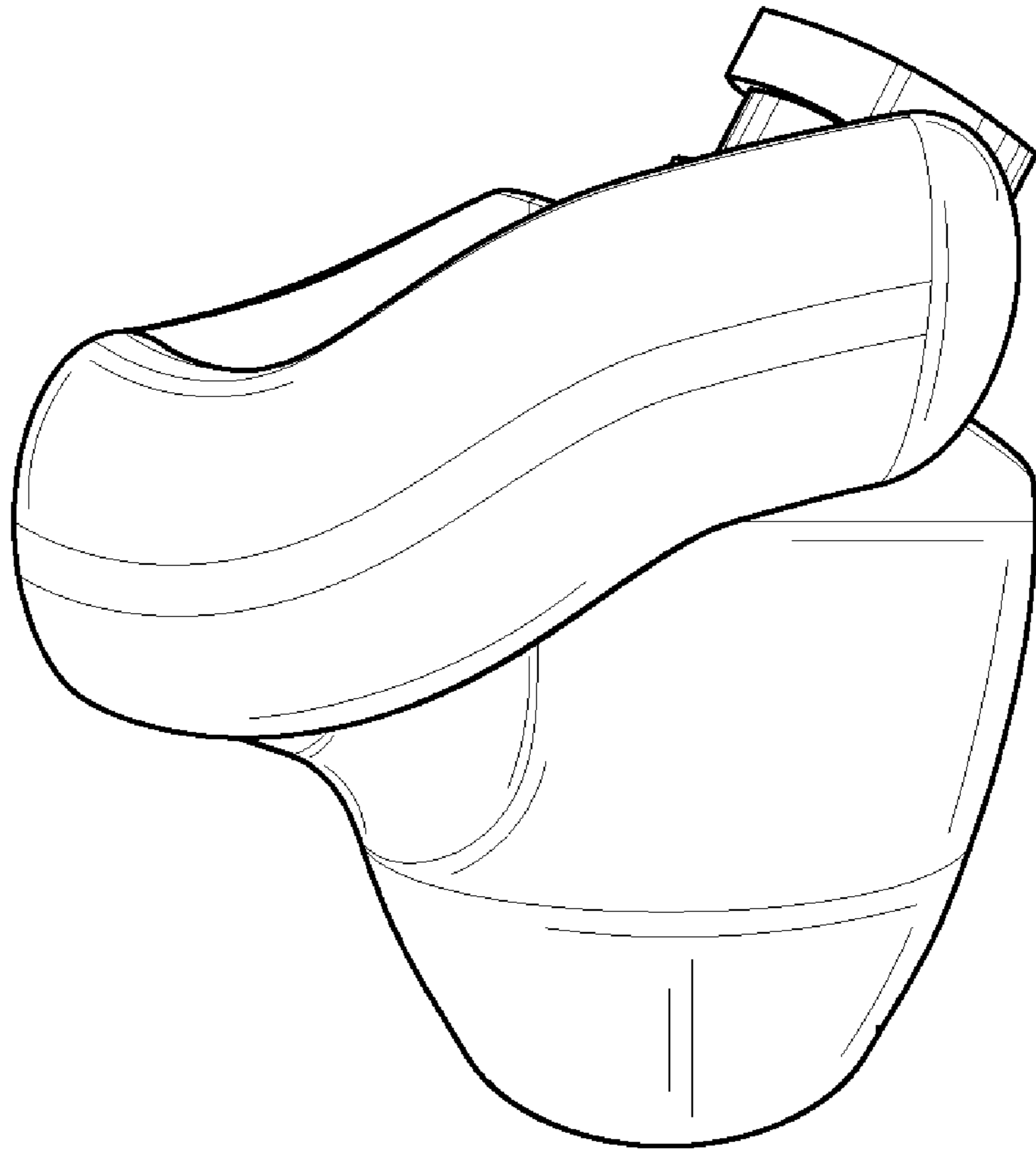


FIG. 5

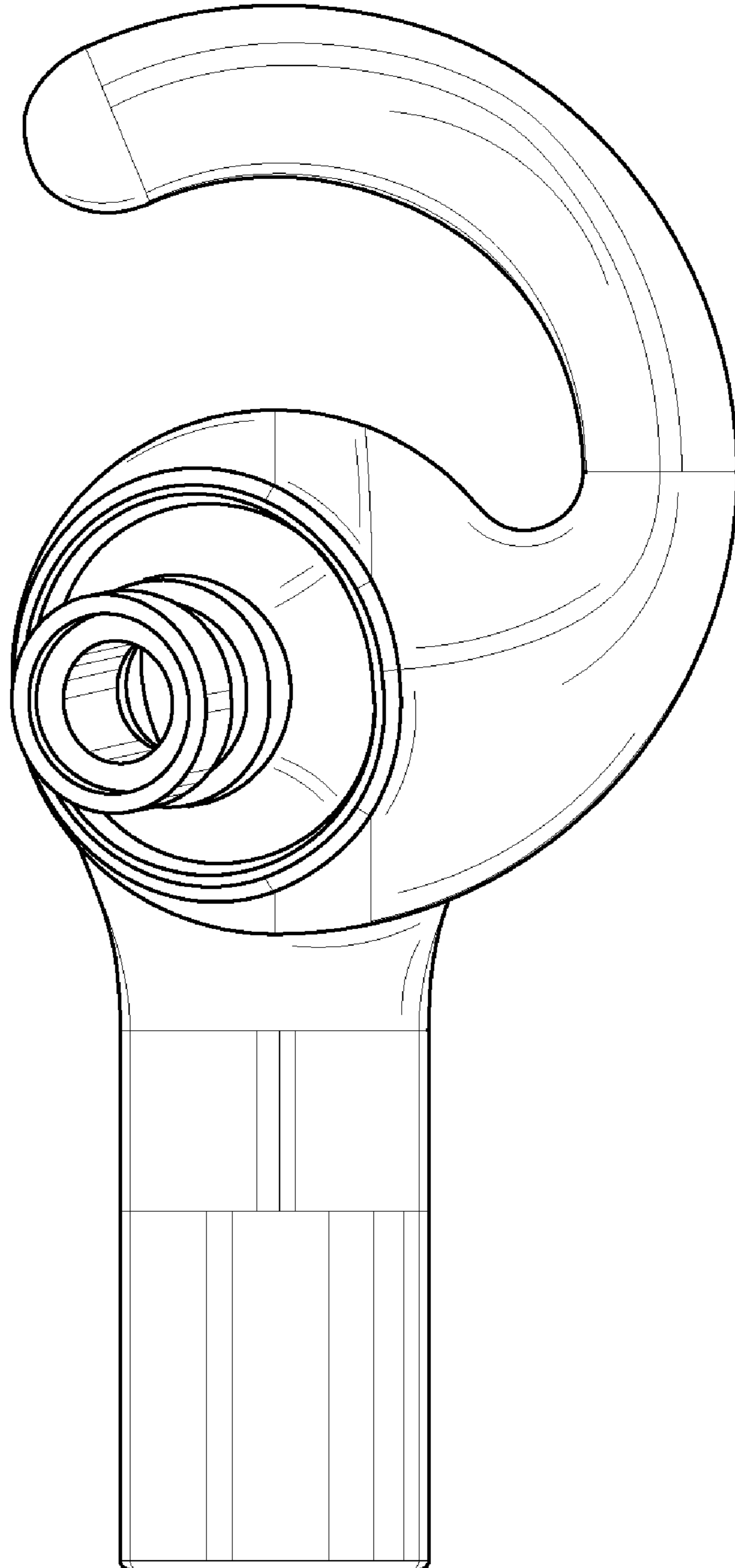


FIG. 6

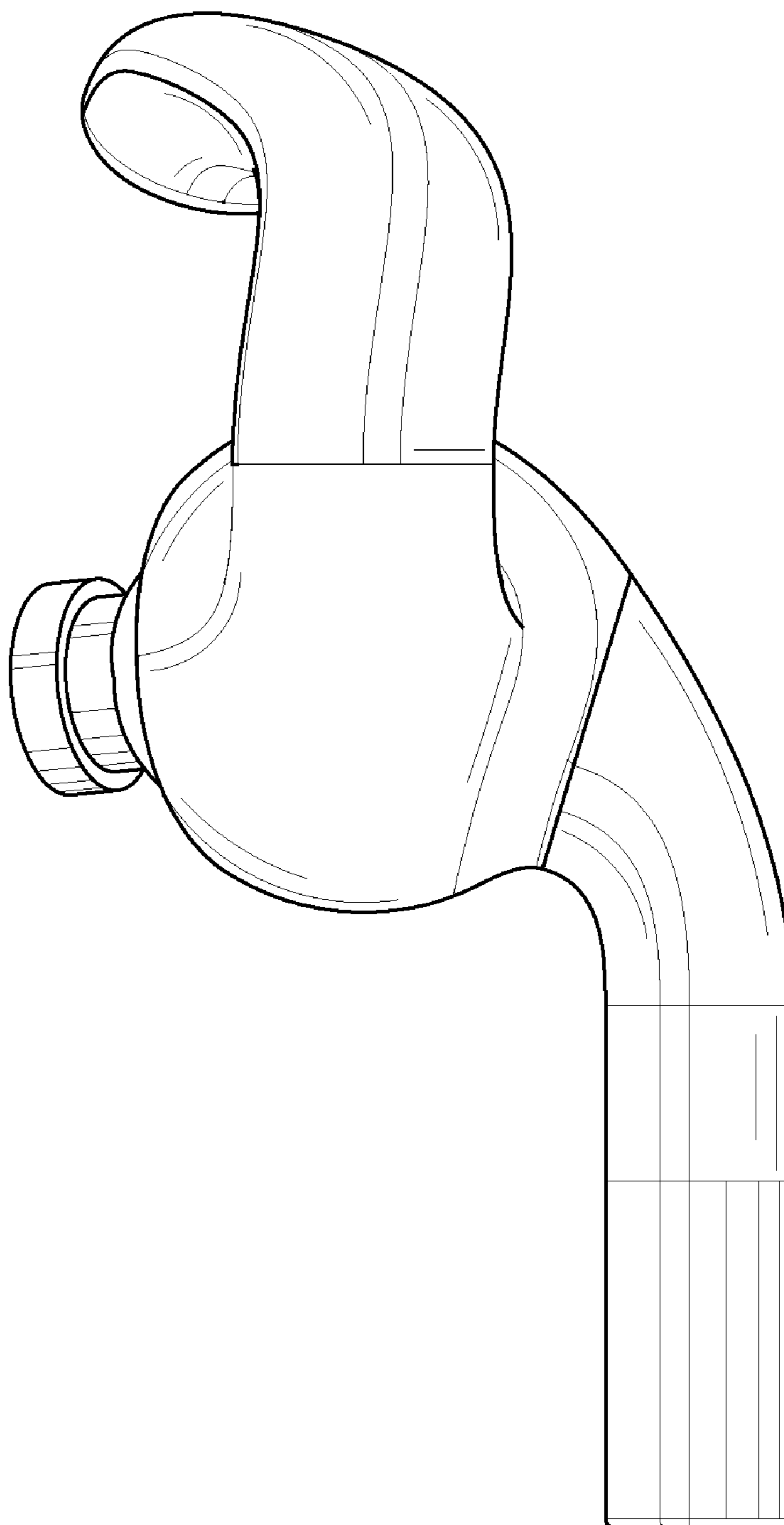


FIG. 7

