



US00D634305S

(12) **United States Design Patent**  
**Hoggarth**

(10) **Patent No.:** **US D634,305 S**

(45) **Date of Patent:** **\*\* Mar. 15, 2011**

(54) **HEADSET**

(75) Inventor: **Marcus Hoggarth**, London (GB)

(73) Assignee: **GN Netcom A/S** (DK)

(\*\*) Term: **14 Years**

(21) Appl. No.: **29/338,775**

(22) Filed: **Jun. 18, 2009**

(30) **Foreign Application Priority Data**

Dec. 22, 2008 (EM) ..... 001060925-0001  
Dec. 22, 2008 (EM) ..... 001060925-0003

(51) **LOC (9) Cl.** ..... **14-01**

(52) **U.S. Cl.** ..... **D14/223**

(58) **Field of Classification Search** ..... D14/205,  
D14/206, 223, 225, 229; 181/129, 130; 379/430;  
455/90.2, 575.1, 575.2; 381/370, 380, 381,  
381/330

See application file for complete search history.

(56) **References Cited**

**U.S. PATENT DOCUMENTS**

5,095,382	A	*	3/1992	Abe	.....	398/202
D355,913	S	*	2/1995	Chong	.....	D14/168
D357,248	S	*	4/1995	Cheng	.....	D14/137
D482,019	S	*	11/2003	Petersen et al.	.....	D14/206
D482,674	S	*	11/2003	Rath et al.	.....	D14/206
D488,146	S	*	4/2004	Minto	.....	D14/206
D494,957	S	*	8/2004	Rath et al.	.....	D14/206
D538,271	S	*	3/2007	Kim et al.	.....	D14/223
D538,792	S	*	3/2007	Kim et al.	.....	D14/223
D539,787	S	*	4/2007	Kim et al.	.....	D14/223
D540,778	S	*	4/2007	Thompson et al.	.....	D14/206
D542,267	S	*	5/2007	Cha et al.	.....	D14/206

D555,150	S	*	11/2007	Christopher et al.	.....	D14/223
D566,108	S	*	4/2008	Kan	.....	D14/223
D568,301	S	*	5/2008	Kim et al.	.....	D14/223
D581,396	S	*	11/2008	Wikel et al.	.....	D14/206
D582,897	S	*	12/2008	Christopher et al.	.....	D14/223
D585,431	S	*	1/2009	Bradford et al.	.....	D14/223
D590,813	S	*	4/2009	Bradford et al.	.....	D14/223
D595,697	S	*	7/2009	Mao et al.	.....	D14/223
D595,698	S	*	7/2009	Guccione et al.	.....	D14/223
D598,900	S	*	8/2009	Wikel et al.	.....	D14/223
D600,682	S	*	9/2009	Wai	.....	D14/223
D602,008	S	*	10/2009	Bentley et al.	.....	D14/224
D602,476	S	*	10/2009	Lee et al.	.....	D14/223
D603,378	S	*	11/2009	Paradise	.....	D14/223
D604,722	S	*	11/2009	Mistry	.....	D14/223
D618,221	S	*	6/2010	Fahrendorff et al.	.....	D14/223
D619,998	S	*	7/2010	Birger	.....	D14/223
D620,927	S	*	8/2010	Li	.....	D14/223
7,778,410	B2	*	8/2010	Liu et al.	.....	379/430

\* cited by examiner

*Primary Examiner* — Paula Greene

(74) *Attorney, Agent, or Firm* — Altera Law Group, LLC

(57) **CLAIM**

The ornamental design for headset, as shown and described.

**DESCRIPTION**

FIG. 1 is a perspective view of a headset showing my new design;

FIG. 2 is a side view thereof.

FIG. 3 is another side view thereof.

FIG. 4 is a back view thereof.

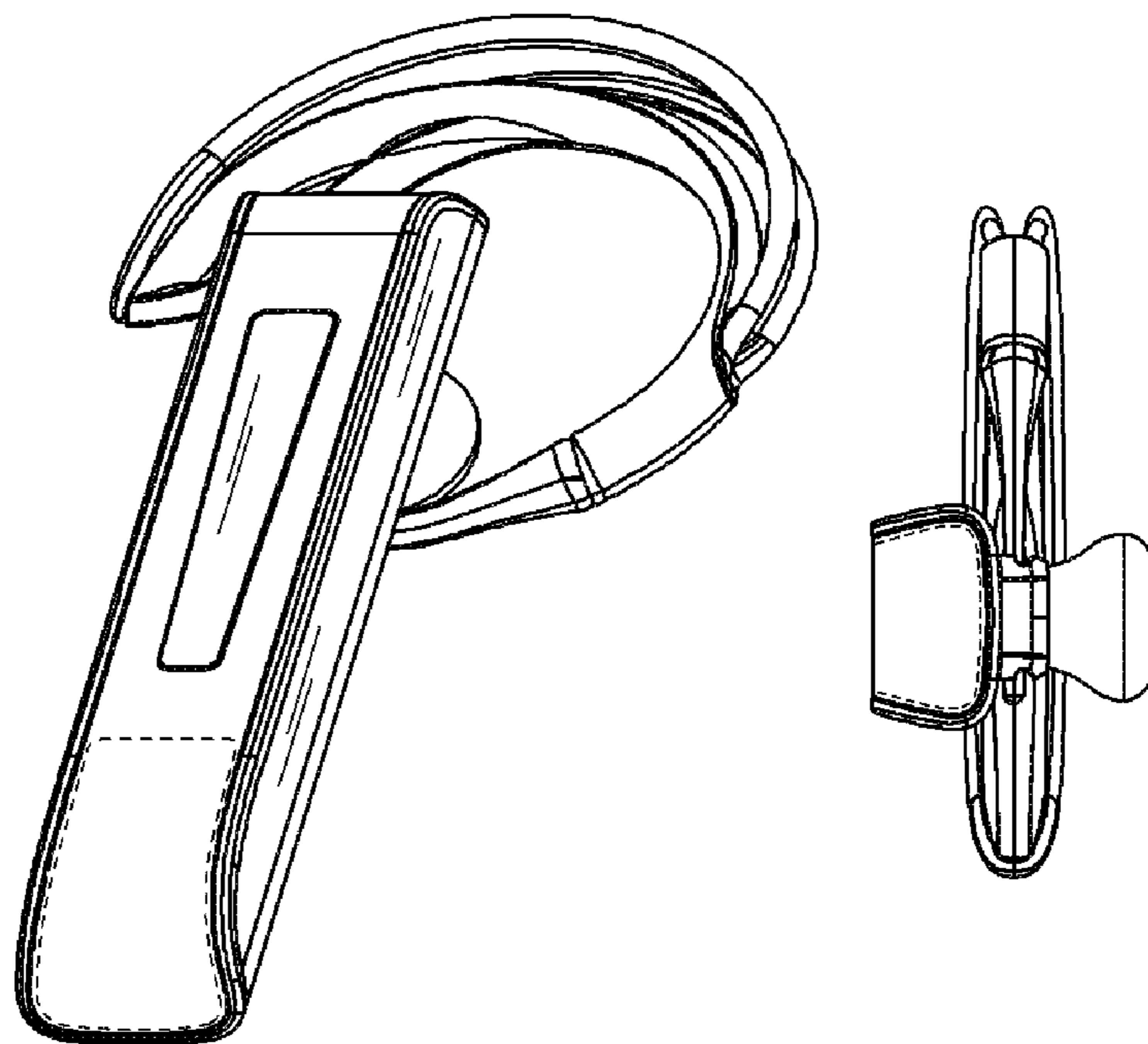
FIG. 5 is a front view thereof.

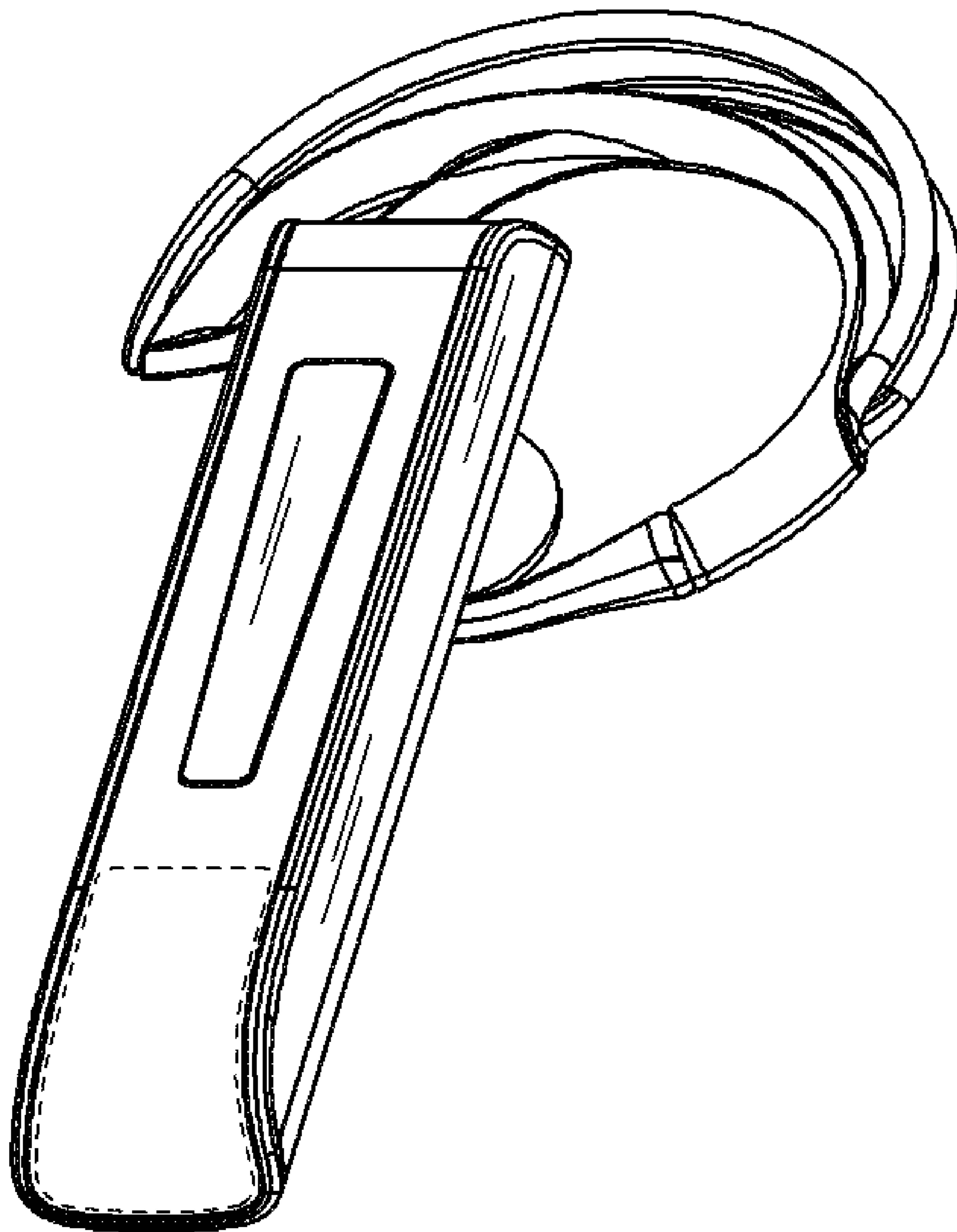
FIG. 6 is a top view thereof; and,

FIG. 7 is a bottom view thereof.

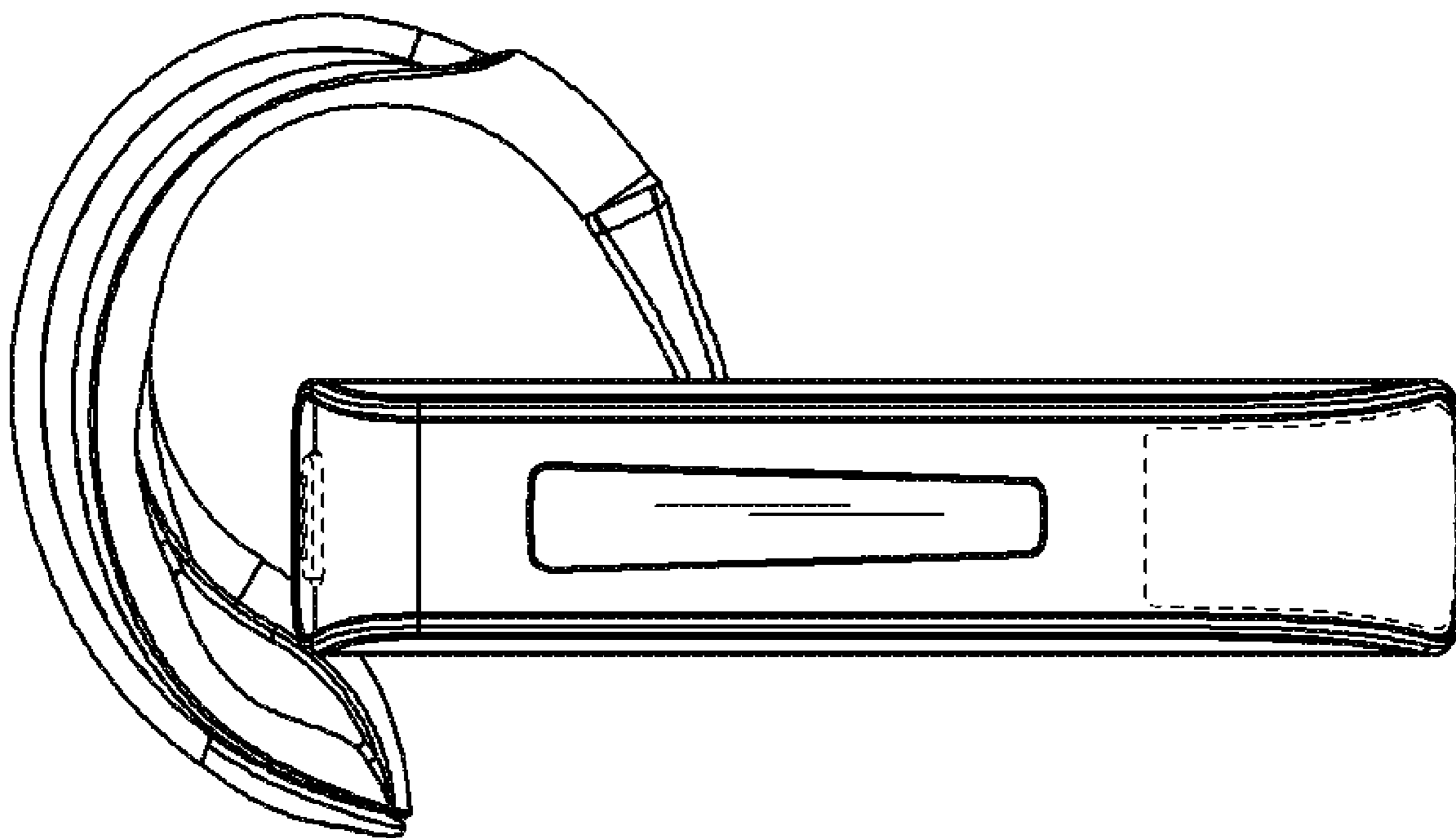
The broken lines form no part of the claimed design.

**1 Claim, 7 Drawing Sheets**

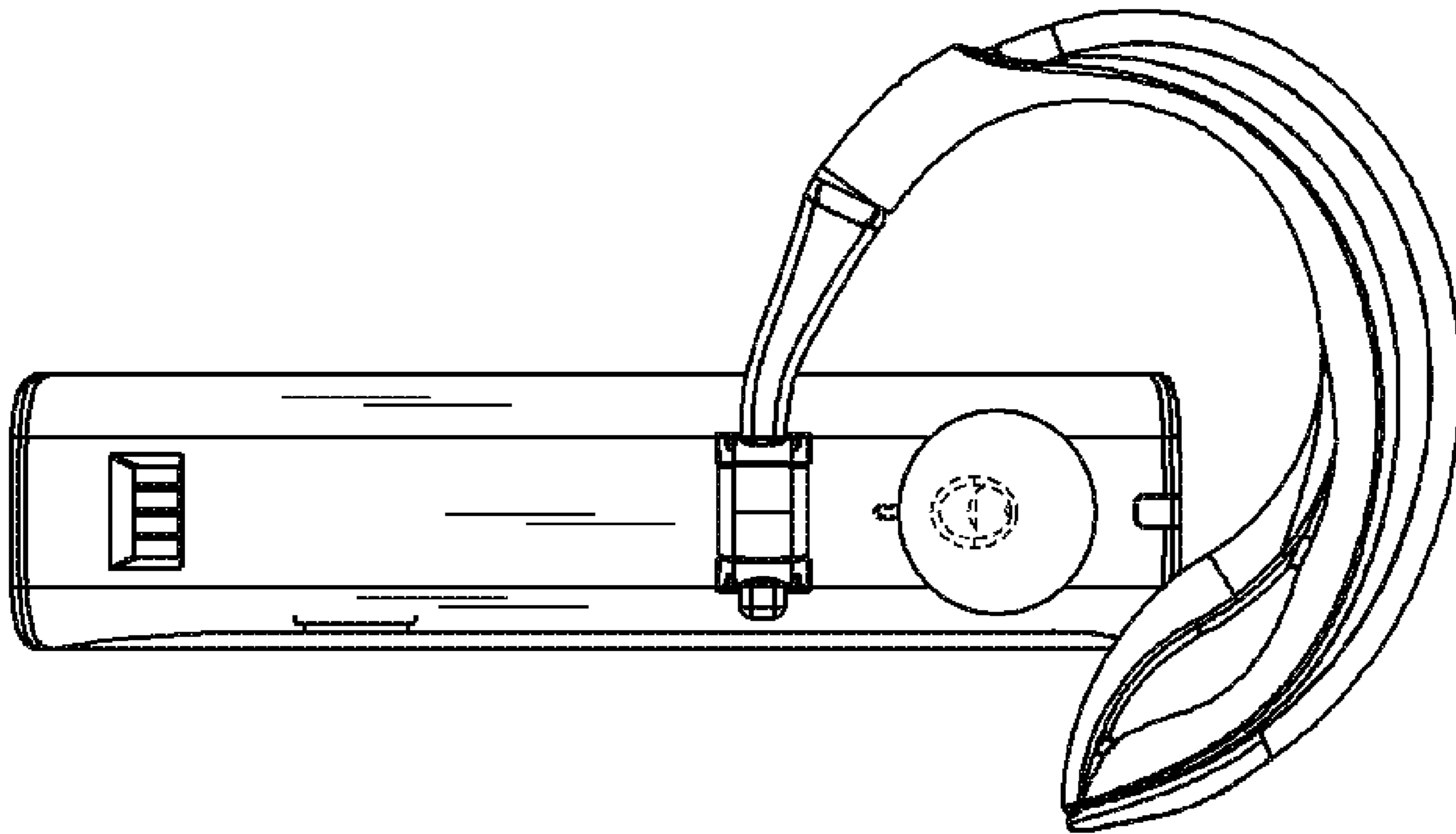




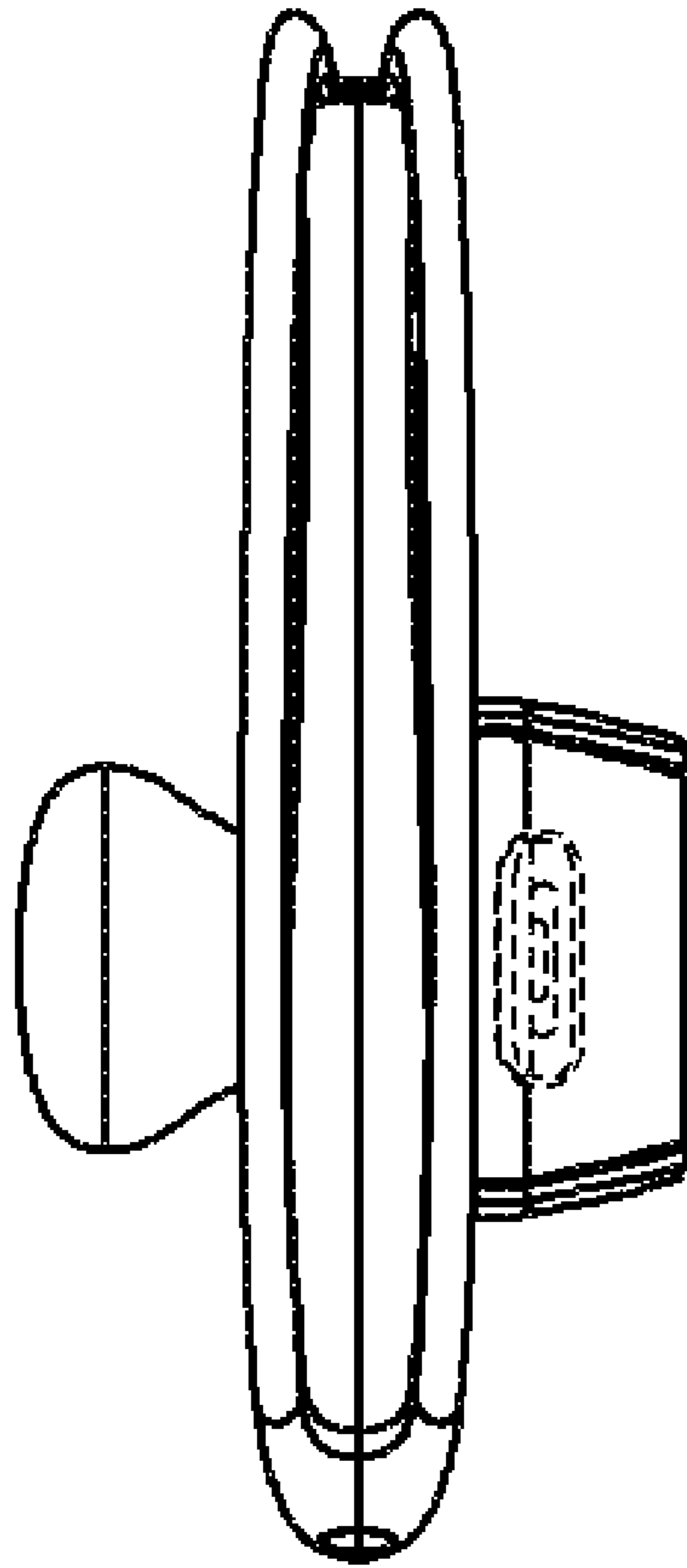
**Fig. 1**



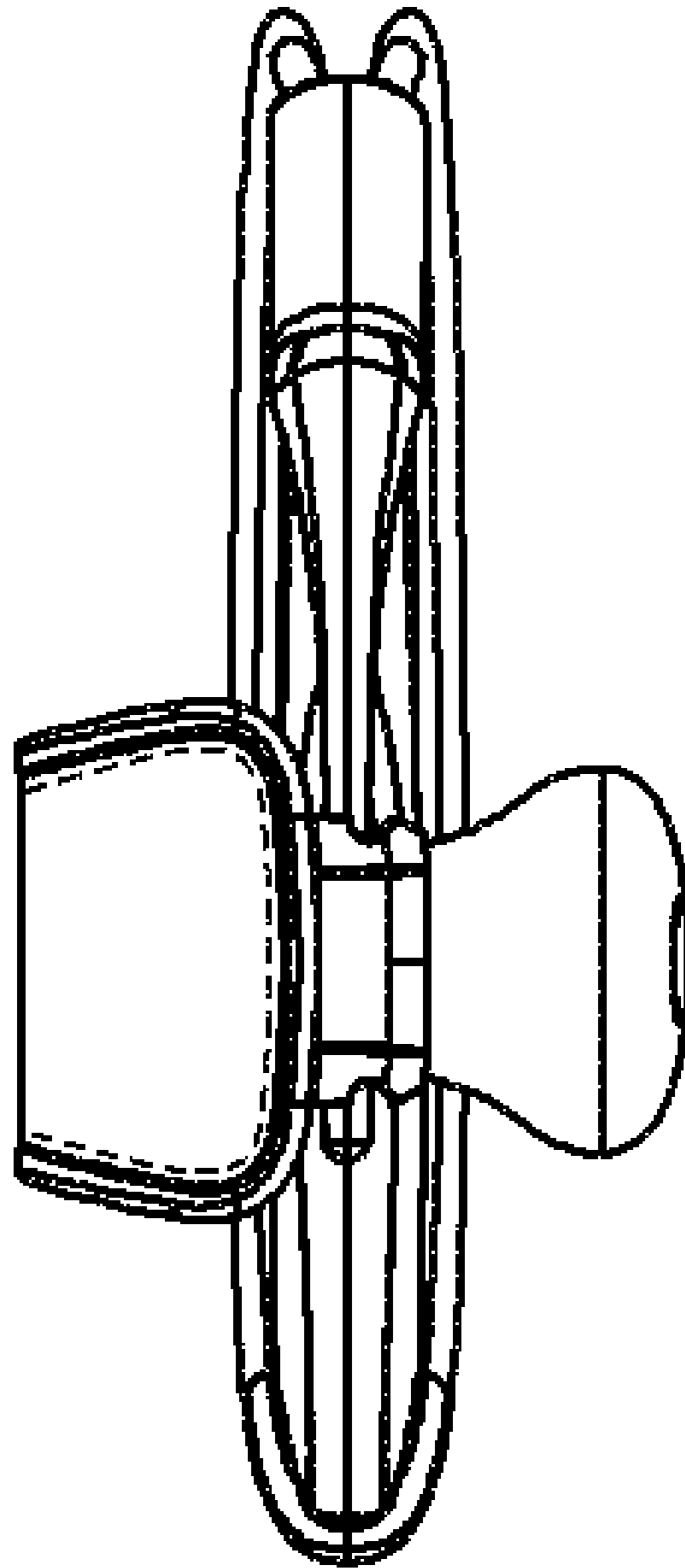
**Fig. 2**



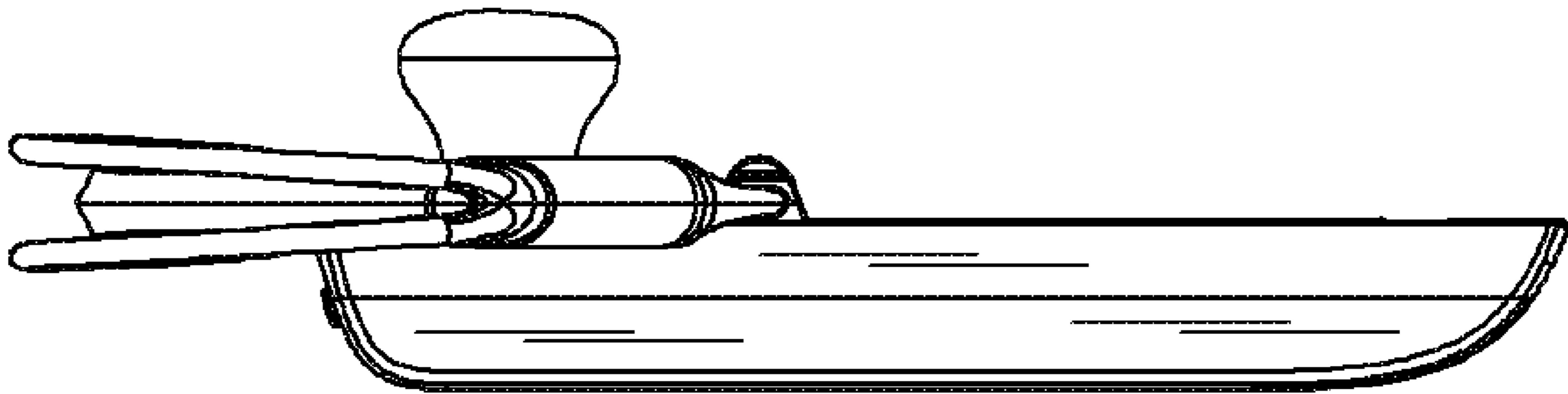
**Fig. 3**



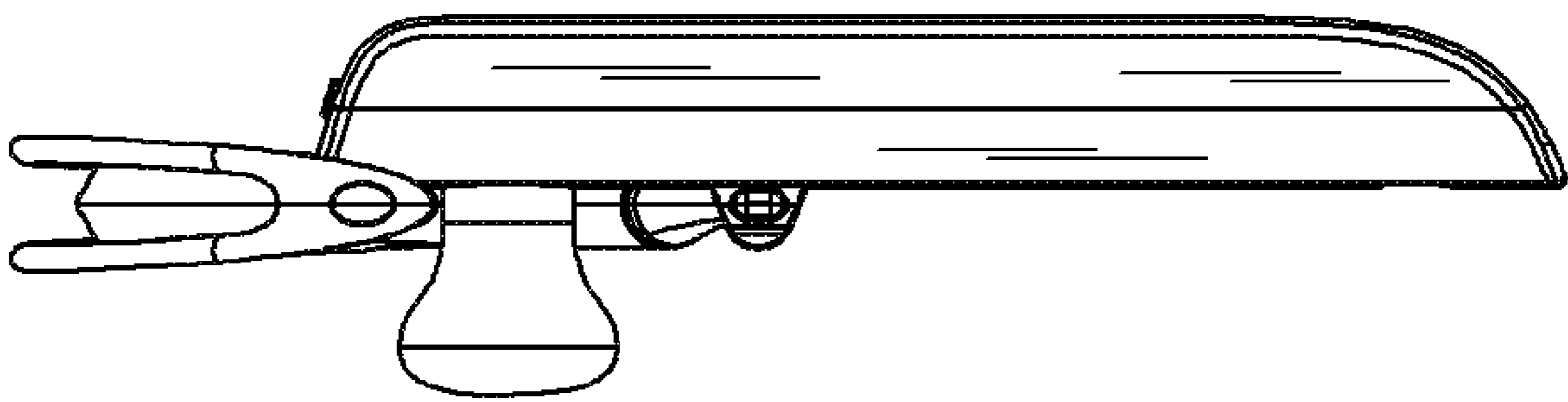
**Fig. 4**



**Fig. 5**



**Fig. 6**



**Fig. 7**