



US00D634304S

(12) **United States Design Patent**  
**Andre et al.**

(10) **Patent No.:** **US D634,304 S**  
(45) **Date of Patent:** **\*\* Mar. 15, 2011**

(54) **STAND**

320/110, 113-115; 361/600; 439/529, 534;  
455/556.1-556.2, 557

(75) Inventors: **Bartley K. Andre**, Menlo Park, CA (US); **Daniel J. Coster**, San Francisco, CA (US); **Daniele De Iuliis**, San Francisco, CA (US); **Evans Hankey**, San Francisco, CA (US); **Richard P. Howarth**, San Francisco, CA (US); **Jonathan P. Ive**, San Francisco, CA (US); **Duncan Robert Kerr**, San Francisco, CA (US); **Shin Nishibori**, Portola Valley, CA (US); **Matthew Dean Rohrbach**, San Francisco, CA (US); **Peter Russell-Clarke**, San Francisco, CA (US); **Douglas B. Satzger**, Menlo Park, CA (US); **Christopher J. Stringer**, Woodside, CA (US); **Eugene Antony Whang**, San Francisco, CA (US); **Rico Zorkendorfer**, San Francisco, CA (US)

See application file for complete search history.

(56) **References Cited**

U.S. PATENT DOCUMENTS

D358,821 S 5/1995 Hellier et al.  
(Continued)

FOREIGN PATENT DOCUMENTS

JP 1369426 12/2008  
(Continued)

OTHER PUBLICATIONS

Notice of Reasons for Rejection for Japanese Patent Application No. 2008-31077, mailed Aug. 24, 2009, 3 pages.

(Continued)

*Primary Examiner* — Stella M Reid  
*Assistant Examiner* — Keli L Hill

(74) *Attorney, Agent, or Firm* — Sterne, Kessler, Goldstein & Fox PLLC

(73) Assignee: **Apple Inc.**, Cupertino, CA (US)

(\*\*) Term: **14 Years**

(21) Appl. No.: **29/376,804**

(22) Filed: **Oct. 12, 2010**

(57) **CLAIM**

The ornamental design for a stand, as shown and described.

**Related U.S. Application Data**

(63) Continuation of application No. 29/340,846, filed on Jul. 27, 2009, now Pat. No. Des. 625,291, which is a continuation of application No. 29/319,154, filed on Jun. 4, 2008, now Pat. No. Des. 597,080, and a continuation of application No. 29/319,238, filed on Jun. 5, 2008, now Pat. No. Des. 597,081.

(51) **LOC (9) Cl.** ..... **14-01**

(52) **U.S. Cl.** ..... **D14/217**

(58) **Field of Classification Search** ..... D14/142,  
D14/149, 155, 157, 188, 191-193, 230.1-203.8,  
D14/217, 251, 253, 432-435.1, 447, 451,  
D14/496, 474, 480.1-480.7; D13/107, 108,  
D13/118; D3/218; 248/221.11, 309.1; 320/107,

**DESCRIPTION**

FIG. 1 is a top perspective view of a stand showing our new design;

FIG. 2 is a bottom perspective view thereof;

FIG. 3 is a front view thereof;

FIG. 4 is a rear view thereof;

FIG. 5 is a left side view thereof;

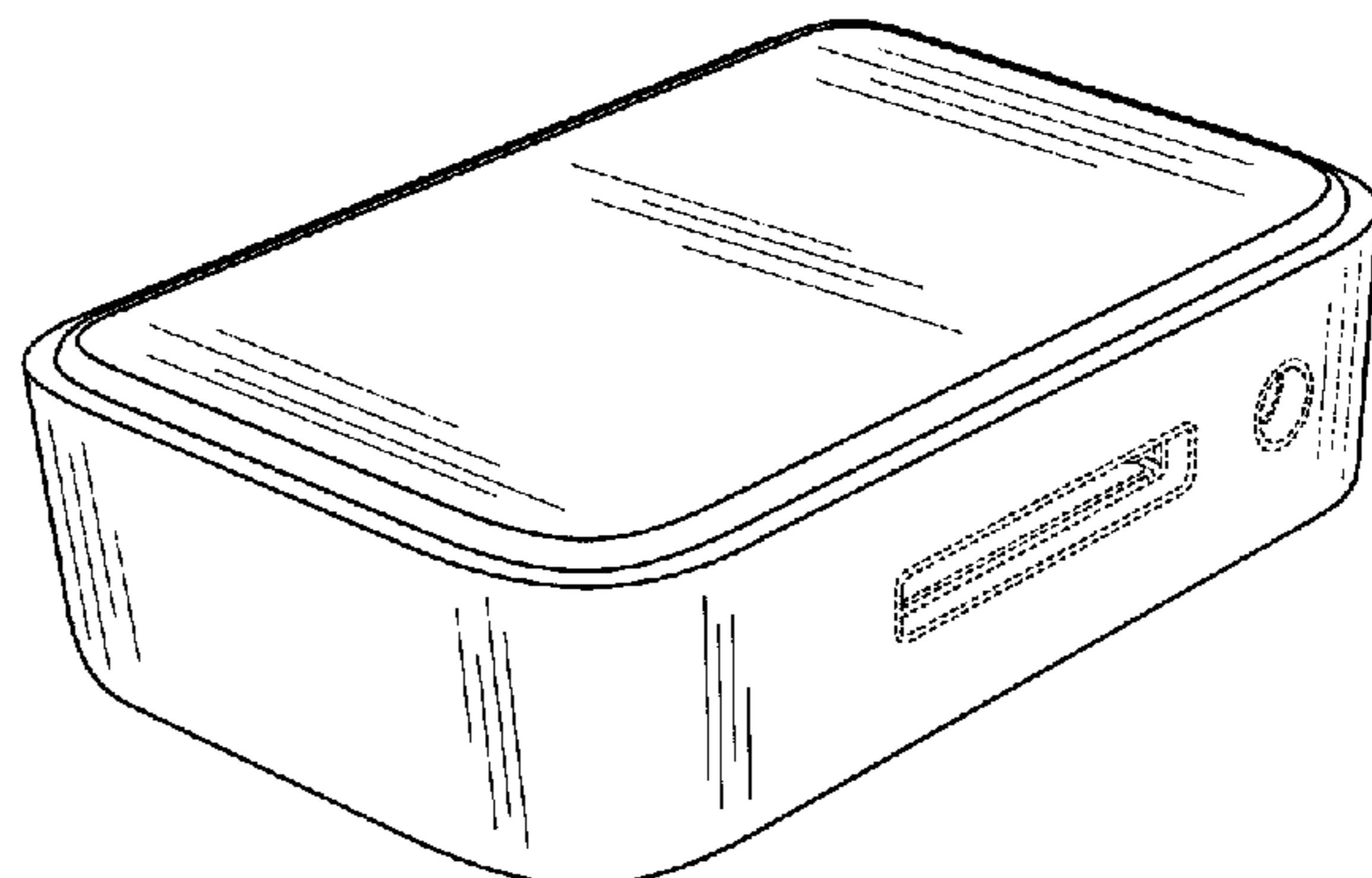
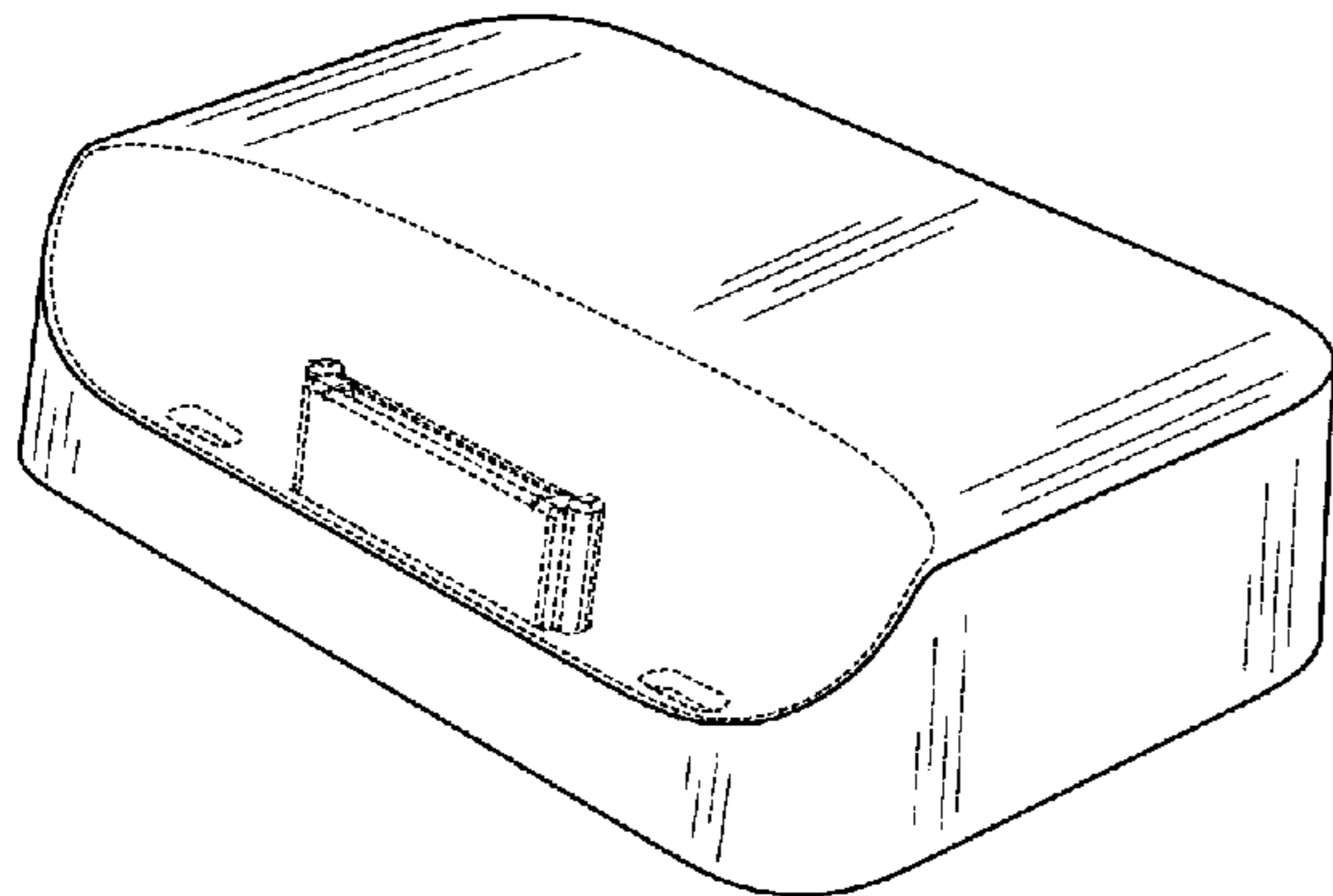
FIG. 6 is a right side view thereof;

FIG. 7 is a top plan view thereof; and,

FIG. 8 is a bottom plan view thereof.

The broken lines in the Figures show portions of the stand which form no part of the claimed design.

**1 Claim, 3 Drawing Sheets**



# US D634,304 S

Page 2

## U.S. PATENT DOCUMENTS

5,602,458 A 2/1997 Dowe  
D385,530 S 10/1997 Hames et al.  
D390,824 S 2/1998 Foster et al.  
6,042,414 A 3/2000 Kunert  
D442,939 S 5/2001 Goldenburg  
D444,124 S 6/2001 Casey et al.  
D463,361 S 9/2002 Ruohonen  
D477,823 S 7/2003 Lavello, Sr.  
D495,336 S 8/2004 Andre et al.  
D520,943 S 5/2006 Imai  
D520,945 S 5/2006 Hayamizu  
D520,946 S 5/2006 Nasu  
7,075,579 B2 7/2006 Whitby et al.  
D532,005 S 11/2006 Leith  
D535,614 S 1/2007 Majanen et al.  
D540,327 S 4/2007 Wong et al.  
D544,899 S 6/2007 Li et al.  
D551,214 S 9/2007 Hussaini et al.  
D551,658 S 9/2007 Hussaini et al.  
D553,106 S 10/2007 Griffin et al.  
D558,208 S 12/2007 Ikeda et al.  
D558,738 S 1/2008 Andre et al.  
D558,739 S 1/2008 Andre et al.  
D568,874 S 5/2008 Andre et al.  
D571,360 S 6/2008 Andre et al.  
D575,275 S 8/2008 Andre et al.  
D578,512 S 10/2008 Andre et al.

D580,855 S 11/2008 Haspil et al.  
D590,770 S 4/2009 Moss  
D595,264 S 6/2009 Andre et al.  
D596,162 S 7/2009 Selvaraj et al.  
D596,621 S 7/2009 Andre et al.  
D597,080 S 7/2009 Andre et al.  
D597,081 S 7/2009 Andre et al.  
7,580,255 B2 8/2009 Crooijmans et al.  
D599,783 S 9/2009 Andre et al.  
D600,680 S 9/2009 Mead et al.  
D604,721 S 11/2009 Lee  
D610,128 S \* 2/2010 Andre et al. .... D14/217  
7,675,746 B2 3/2010 Crooijmans et al.  
7,719,830 B2 5/2010 Howarth et al.  
D623,188 S \* 9/2010 Son et al. .... D14/434  
D623,189 S \* 9/2010 Son et al. .... D14/434  
2008/0219488 A1 9/2008 Crooijmans et al.

## FOREIGN PATENT DOCUMENTS

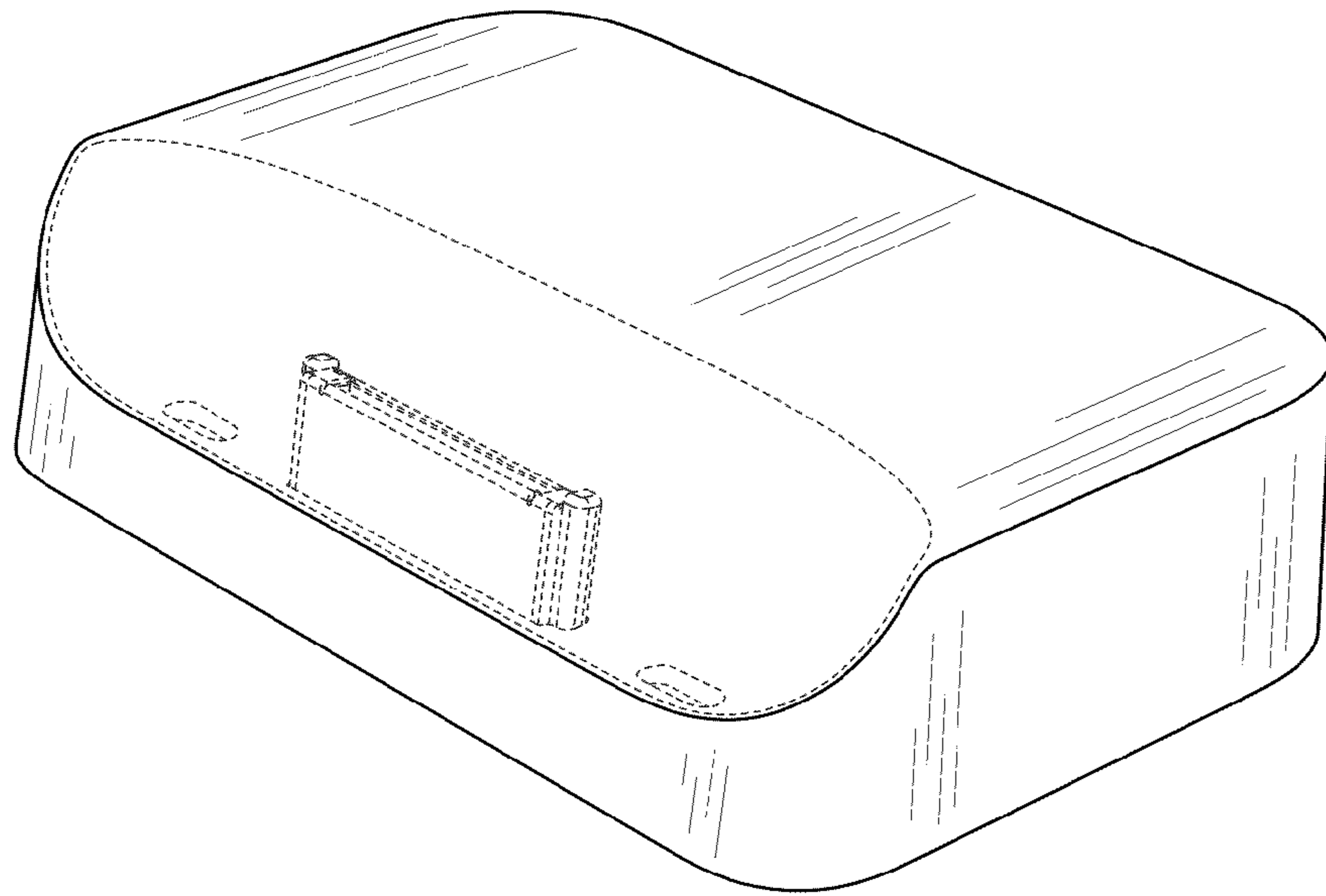
TW D115338 2/2007

## OTHER PUBLICATIONS

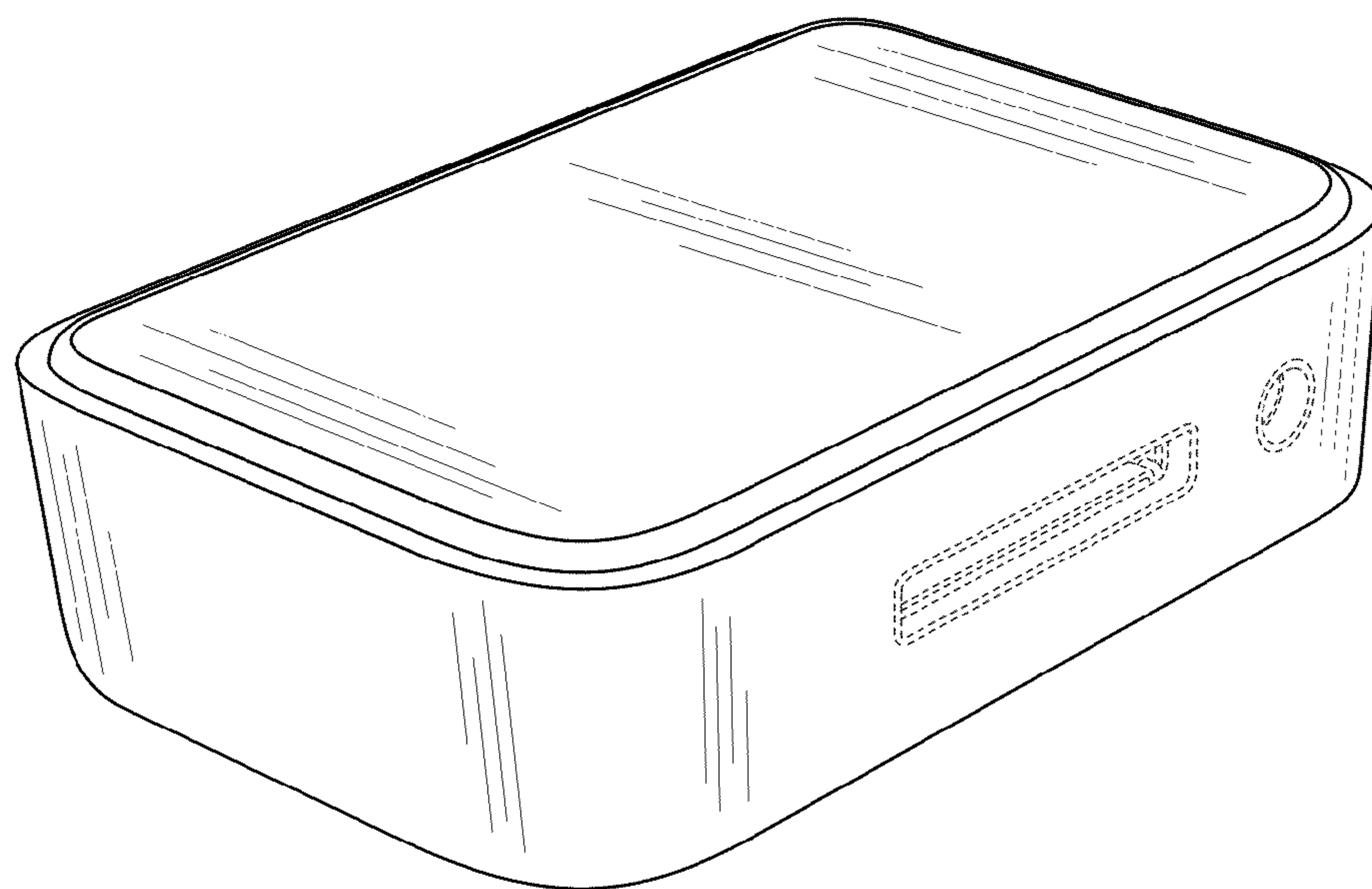
Search Report for New Design Patent Application No. 097306650,  
dated Sep. 4, 2009.

U.S. Appl. No. 29/237,687 entitled "Docking Station" filed Sep. 2,  
2005.

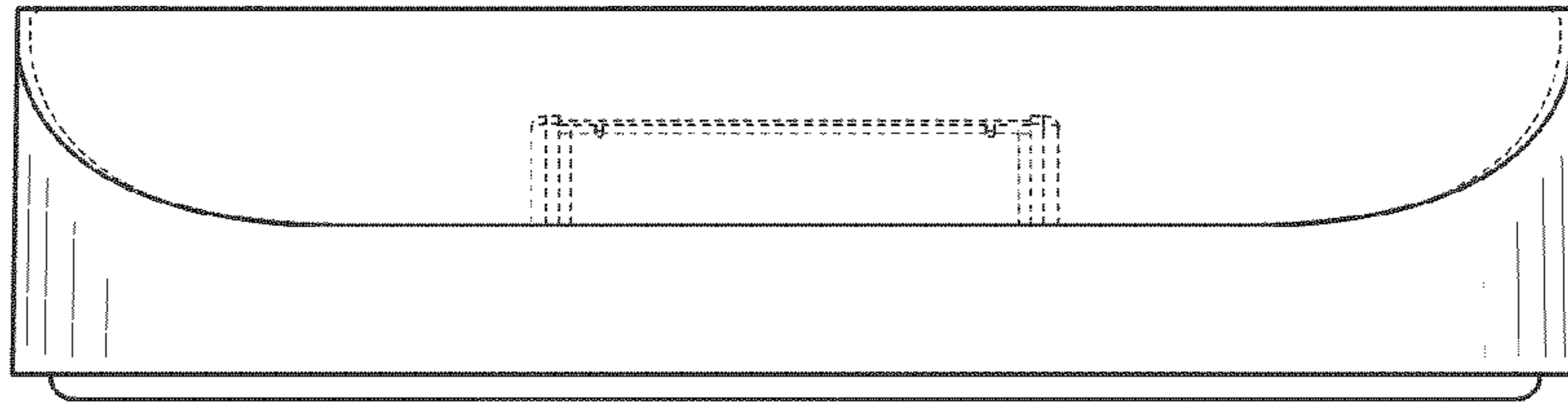
\* cited by examiner



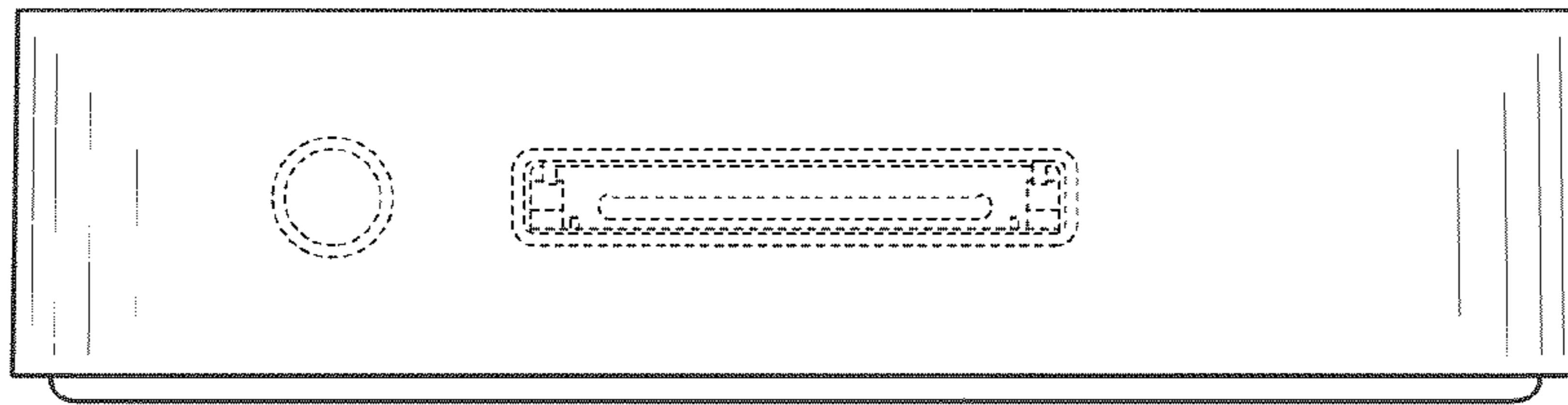
**FIG. 1**



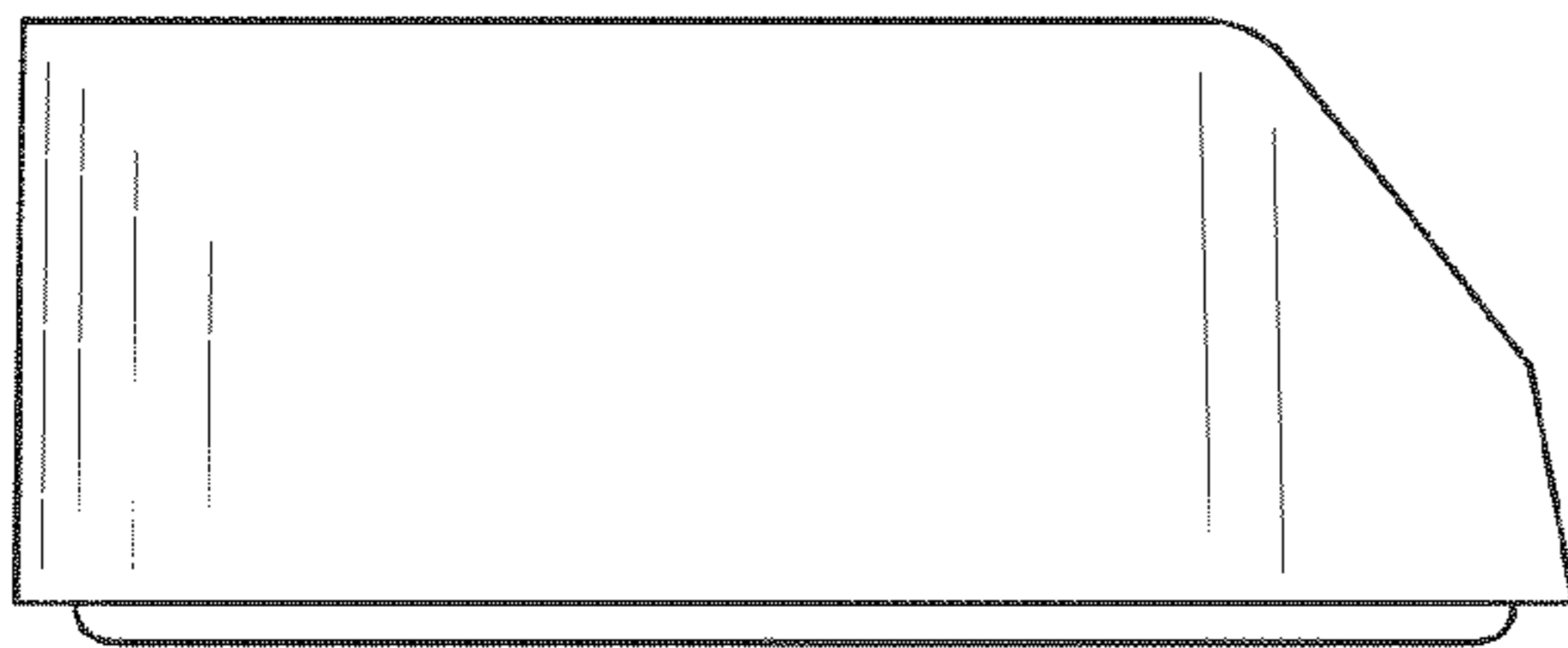
**FIG. 2**



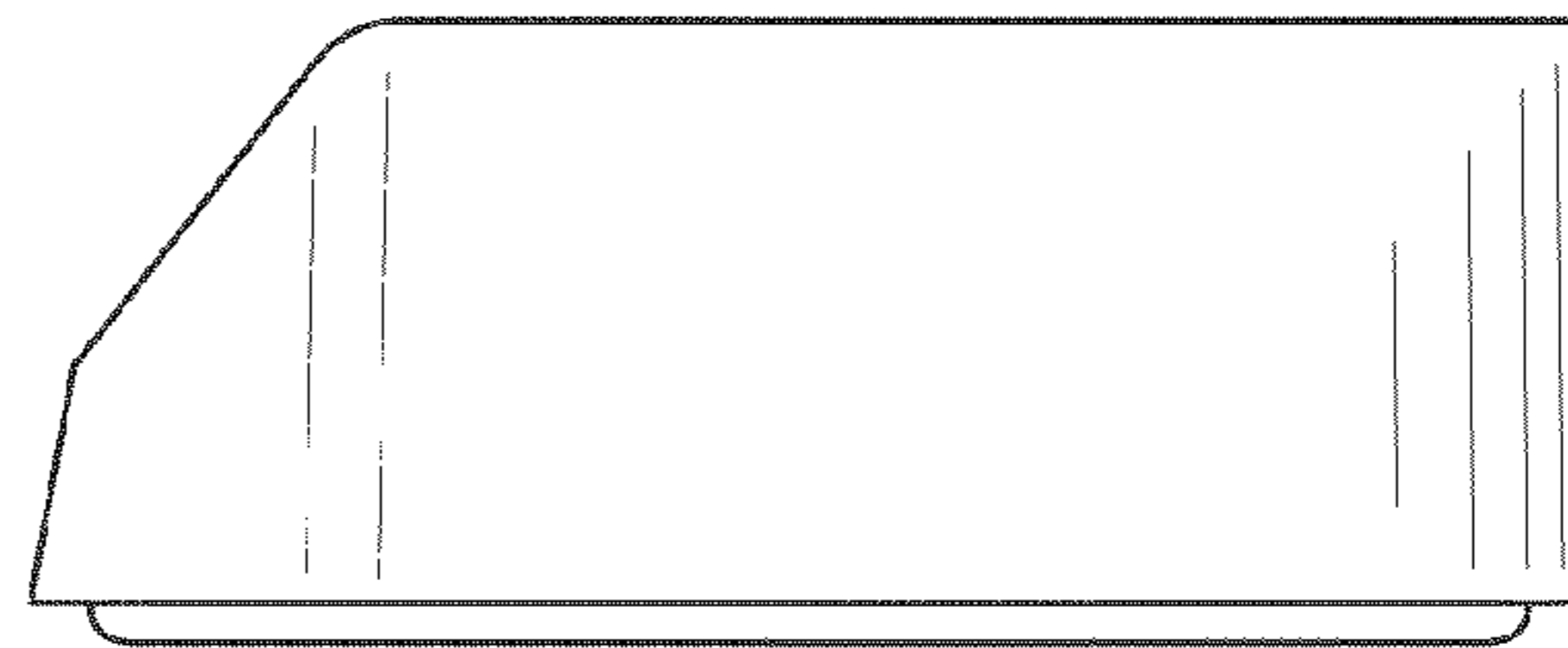
**FIG. 3**



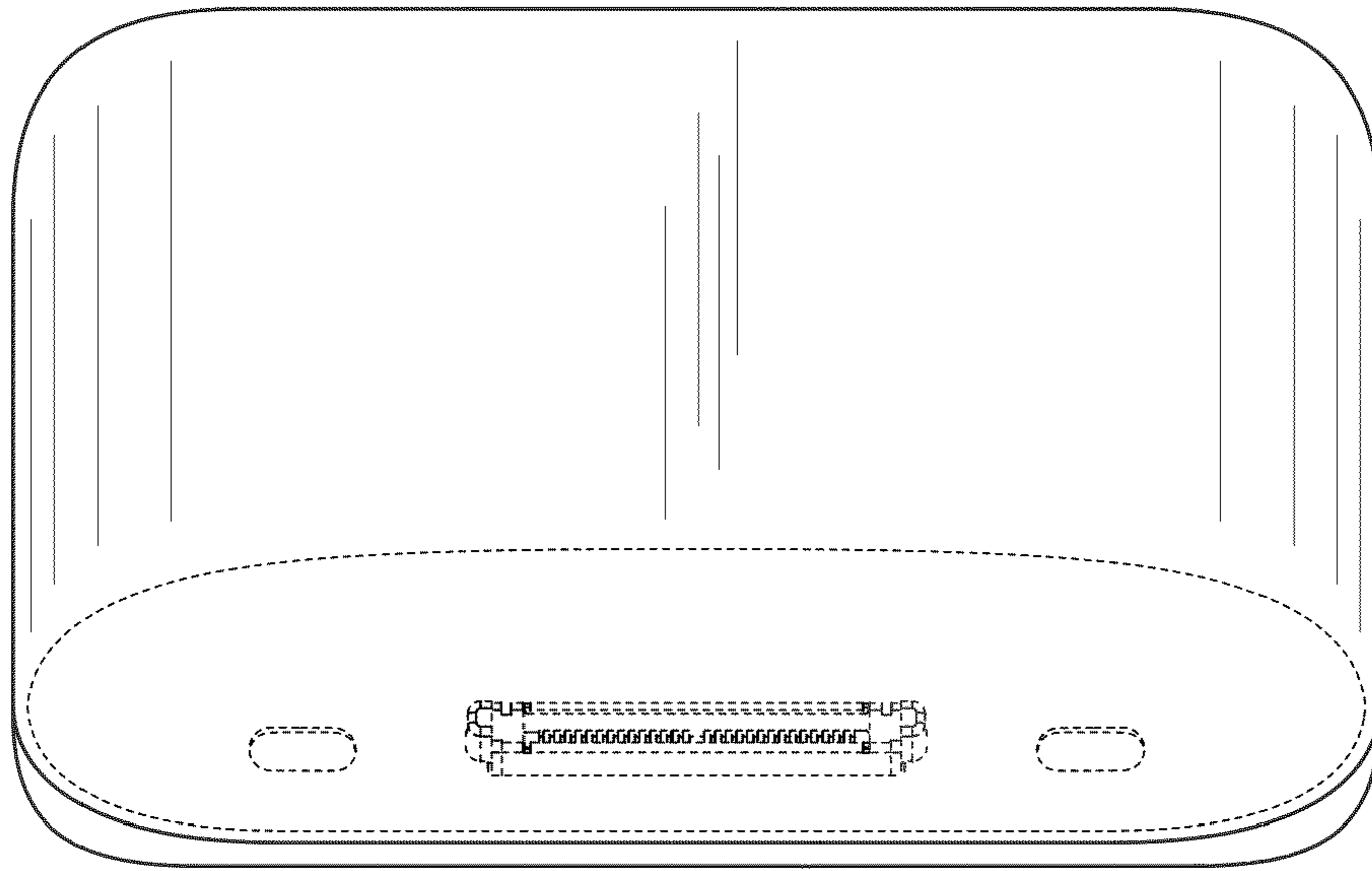
**FIG. 4**



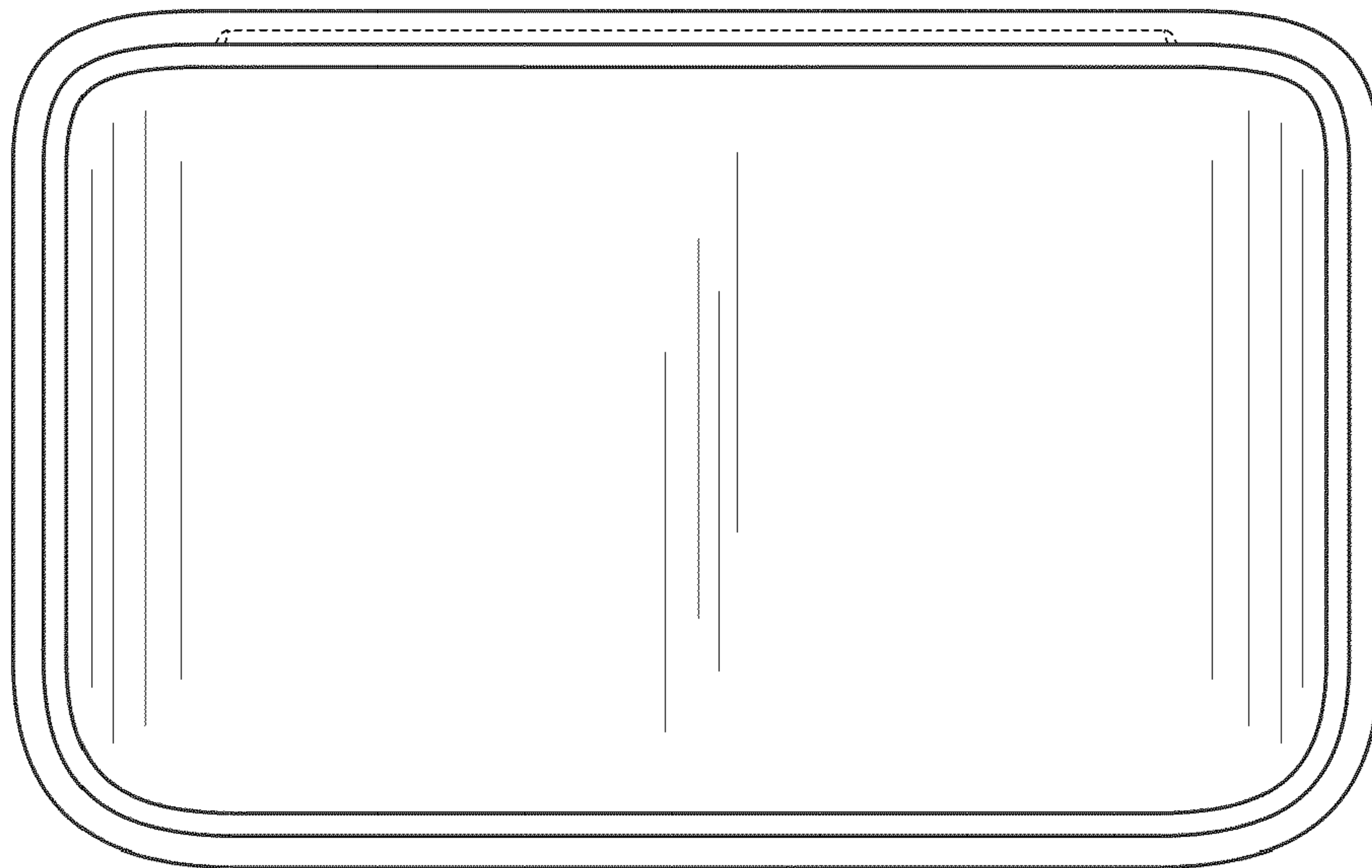
**FIG. 5**



**FIG. 6**



**FIG. 7**



**FIG. 8**