



US00D634300S

(12) **United States Design Patent**  
**Yang et al.**

(10) **Patent No.:** **US D634,300 S**  
(45) **Date of Patent:** **\*\* Mar. 15, 2011**

(54) **COMMUNICATIONS HEADSET**  
(75) Inventors: **Joseph Yang**, San Jose, CA (US);  
**Christophe Koch**, Santa Cruz, CA (US)  
(73) Assignee: **Plantronics, Inc.**, Santa Cruz, CA (US)  
(\*\*) Term: **14 Years**  
(21) Appl. No.: **29/363,774**

(22) Filed: **Jun. 14, 2010**  
(51) **LOC (9) Cl.** ..... **14-01**  
(52) **U.S. Cl.** ..... **D14/206**  
(58) **Field of Classification Search** ..... D14/205,  
D14/206, 223; 181/129, 130, 135; 379/430,  
379/431, 420.01, 420.04; 381/322, 324,  
381/380, 381, 390; D24/174; 128/864, 865;  
455/90.3, 569.1, 575.1; D21/333, 483  
See application file for complete search history.

(56) **References Cited**

**U.S. PATENT DOCUMENTS**

D467,908 S \* 12/2002 Bey et al. .... D14/223  
D471,898 S \* 3/2003 Bae ..... D14/223  
D477,821 S \* 7/2003 Bieltvedt et al. .... D14/206  
D492,667 S \* 7/2004 Skulley et al. .... D14/223

D504,887 S \* 5/2005 Skulley ..... D14/223  
D517,054 S \* 3/2006 Yang ..... D14/223  
D519,109 S \* 4/2006 Perszyk et al. .... D14/223  
D581,900 S \* 12/2008 Caddes et al. .... D14/206  
D598,895 S \* 8/2009 Bentley et al. .... D14/206  
D600,236 S \* 9/2009 Sanguinetti et al. .... D14/223  
D604,718 S \* 11/2009 Paterson ..... D14/206  
D612,366 S \* 3/2010 Wikel et al. .... D14/223  
D628,194 S \* 11/2010 Koch ..... D14/223

\* cited by examiner

*Primary Examiner* — Paula Greene

(74) *Attorney, Agent, or Firm* — Michael D. Rodriguez

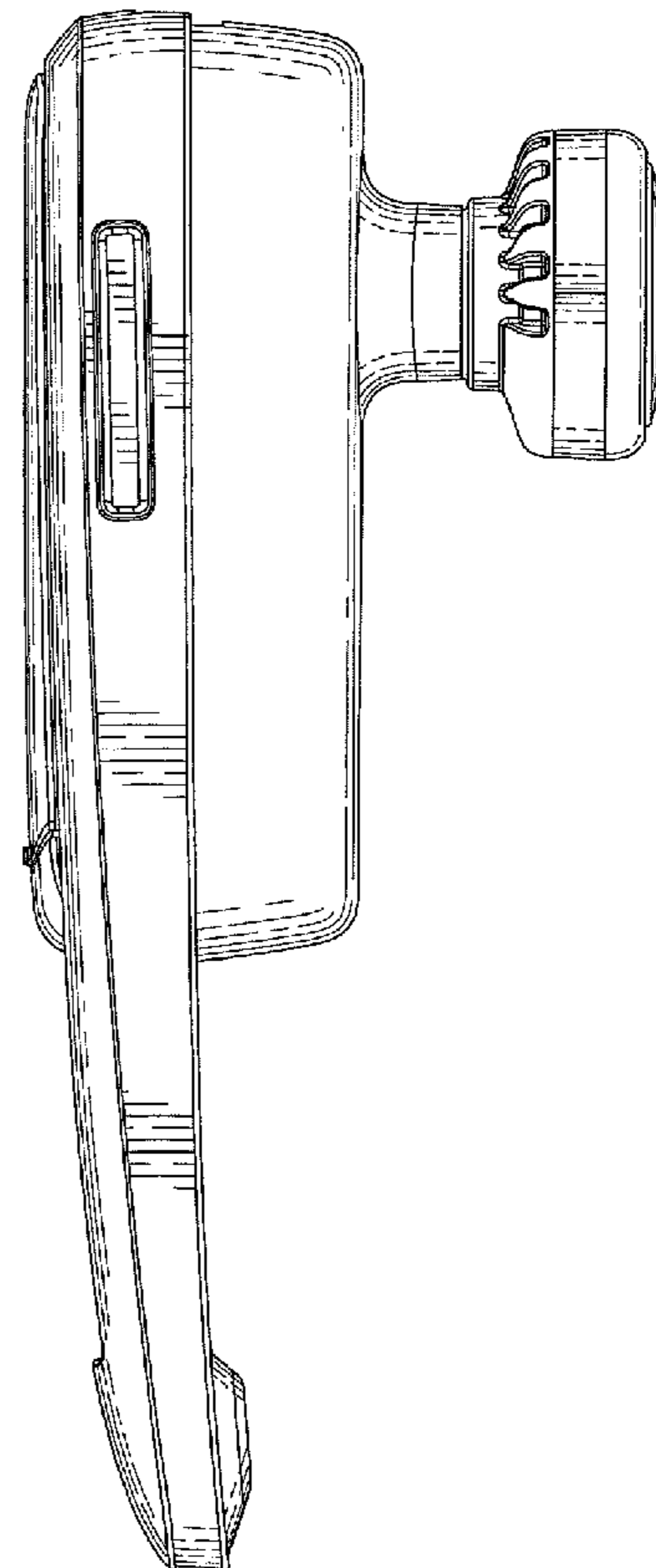
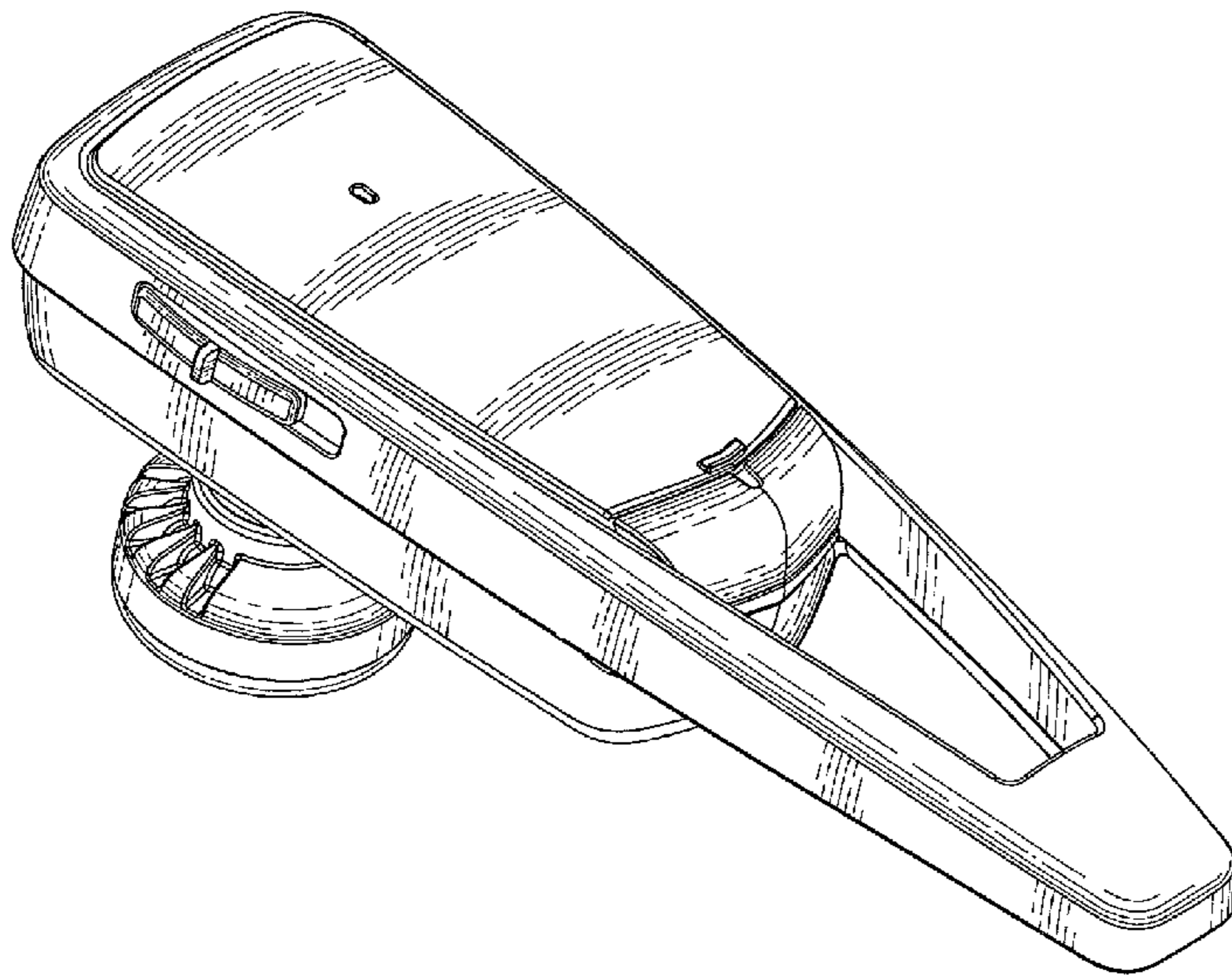
(57) **CLAIM**

The ornamental design for a communications headset, as shown and described.

**DESCRIPTION**

FIG. 1 is front-top-right perspective view of a communications headset showing our new design;  
FIG. 2 is a right side view thereof;  
FIG. 3 is a left side view thereof;  
FIG. 4 is a top view thereof;  
FIG. 5 is a bottom view thereof;  
FIG. 6 is a back view thereof; and,  
FIG. 7 is a front view thereof.

**1 Claim, 3 Drawing Sheets**



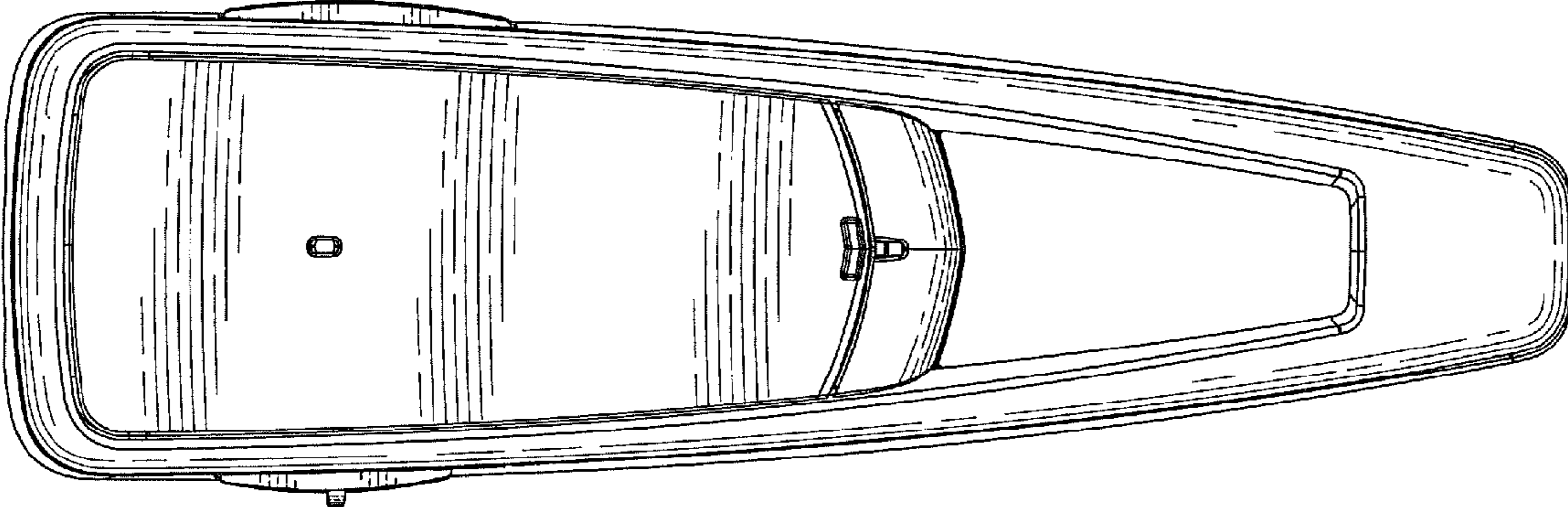


FIG. 2

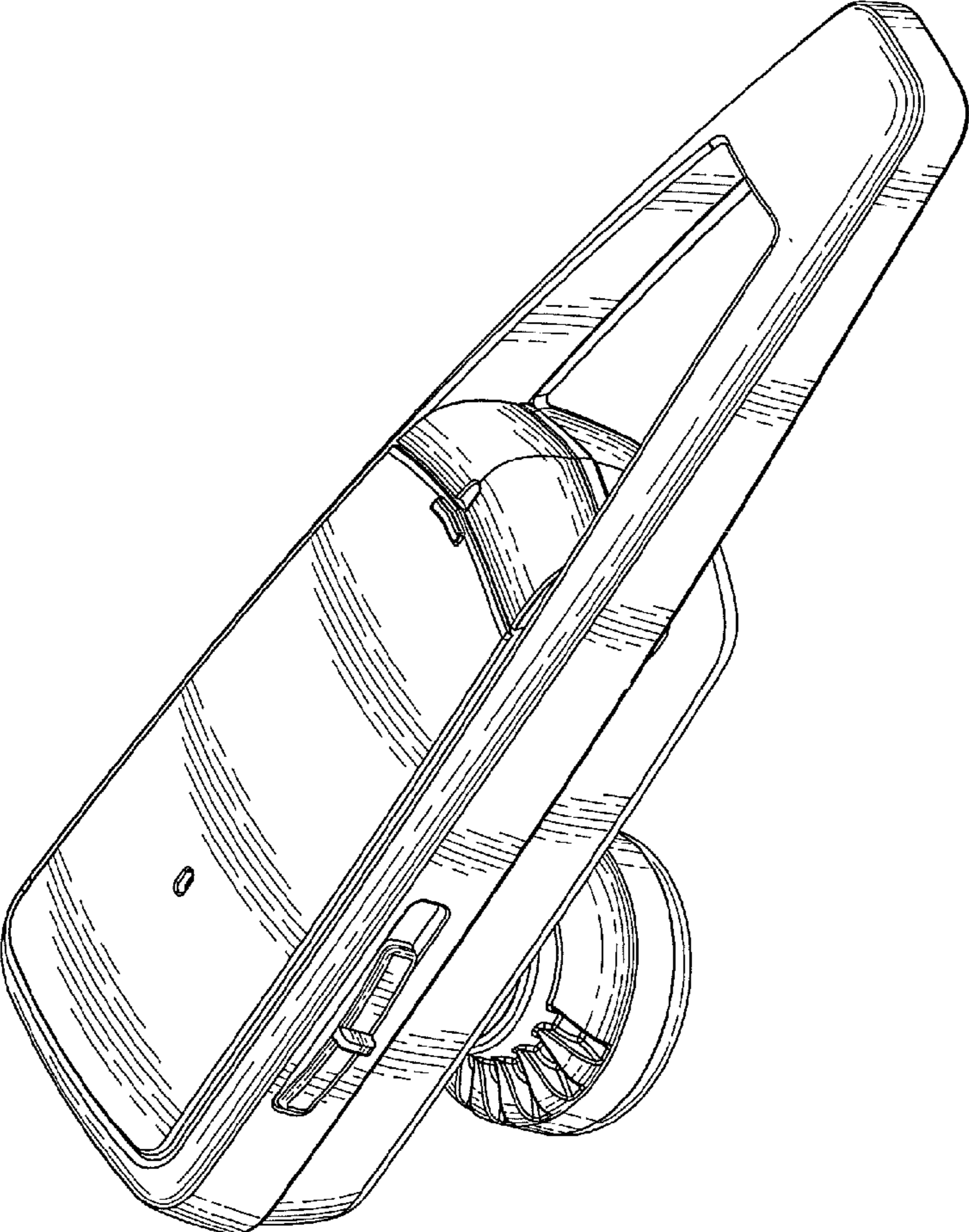


FIG. 1

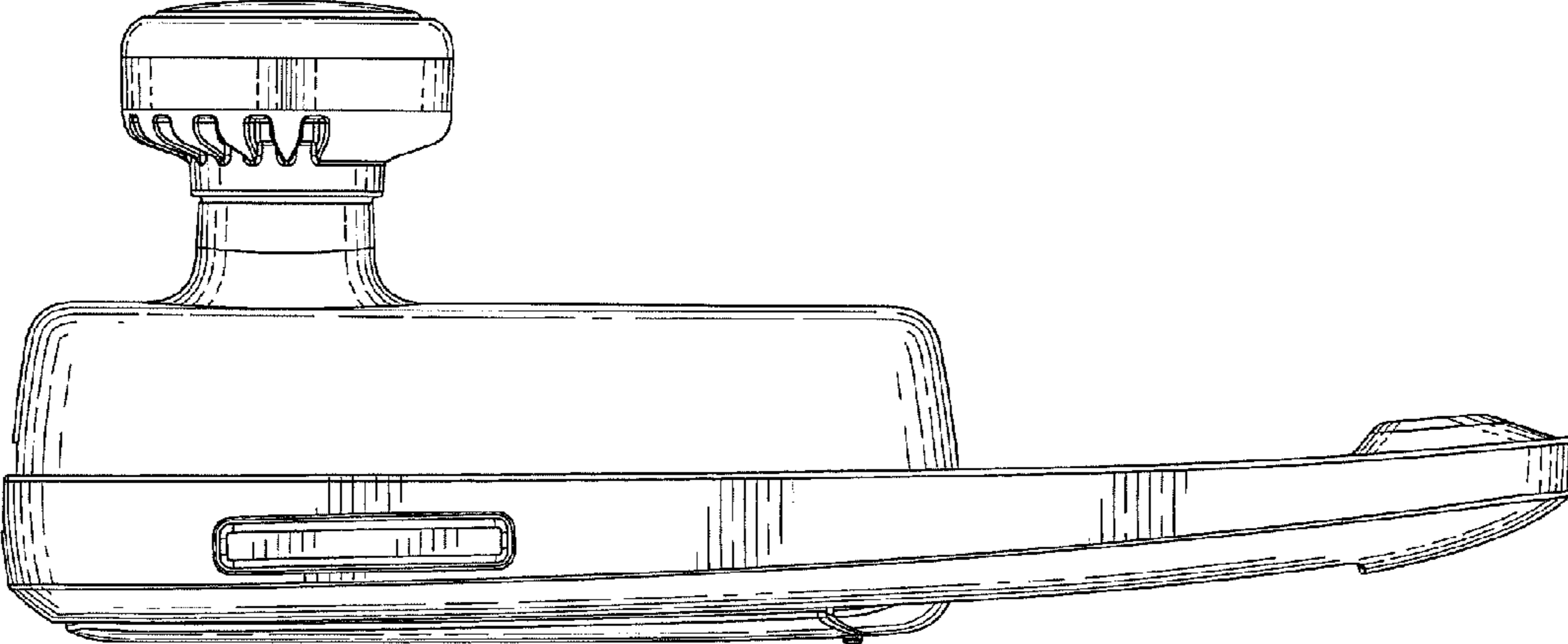


FIG. 4

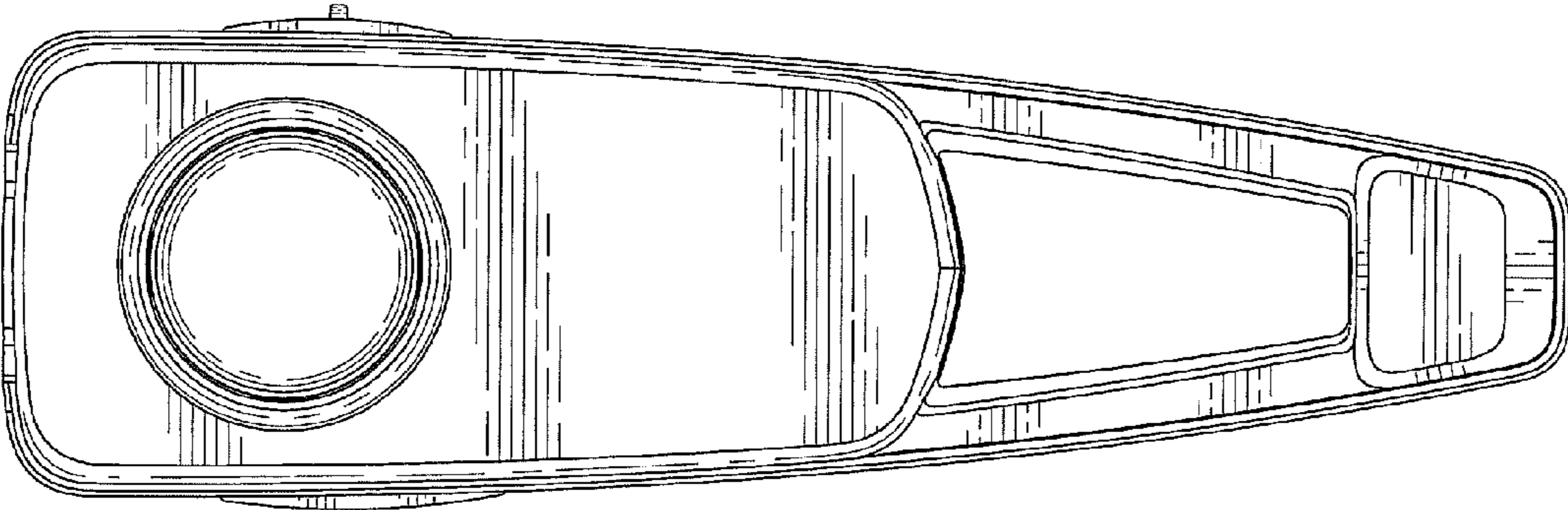


FIG. 3

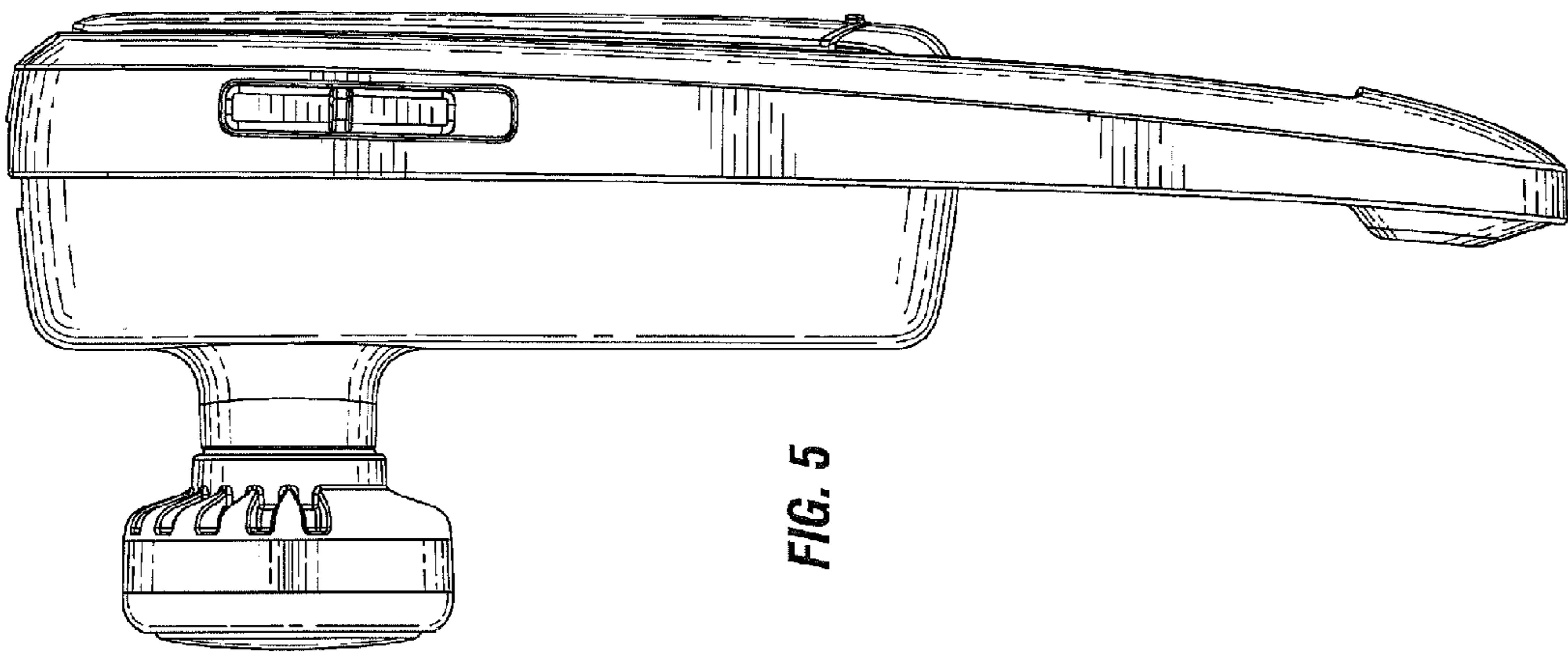


FIG. 5

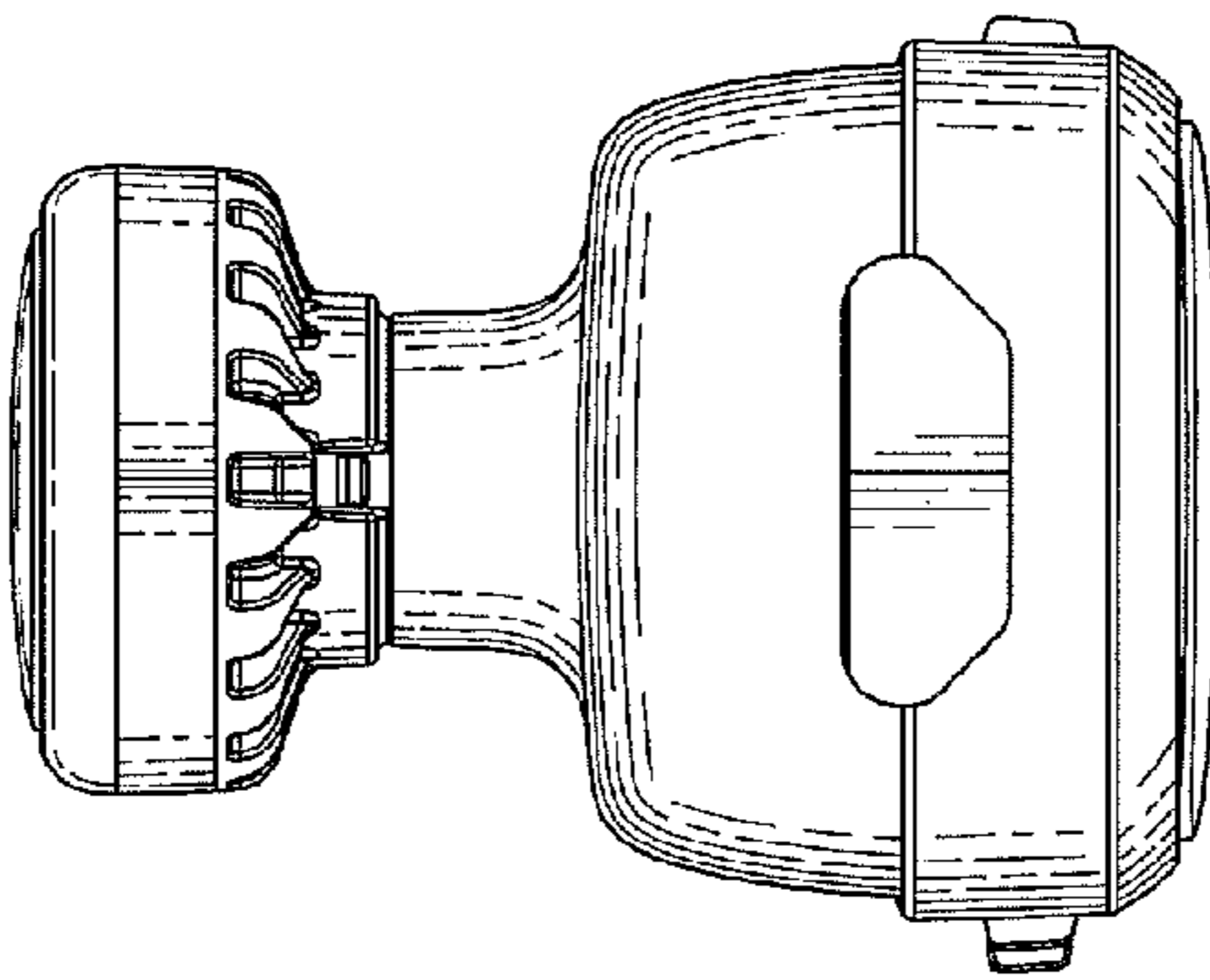


FIG. 6

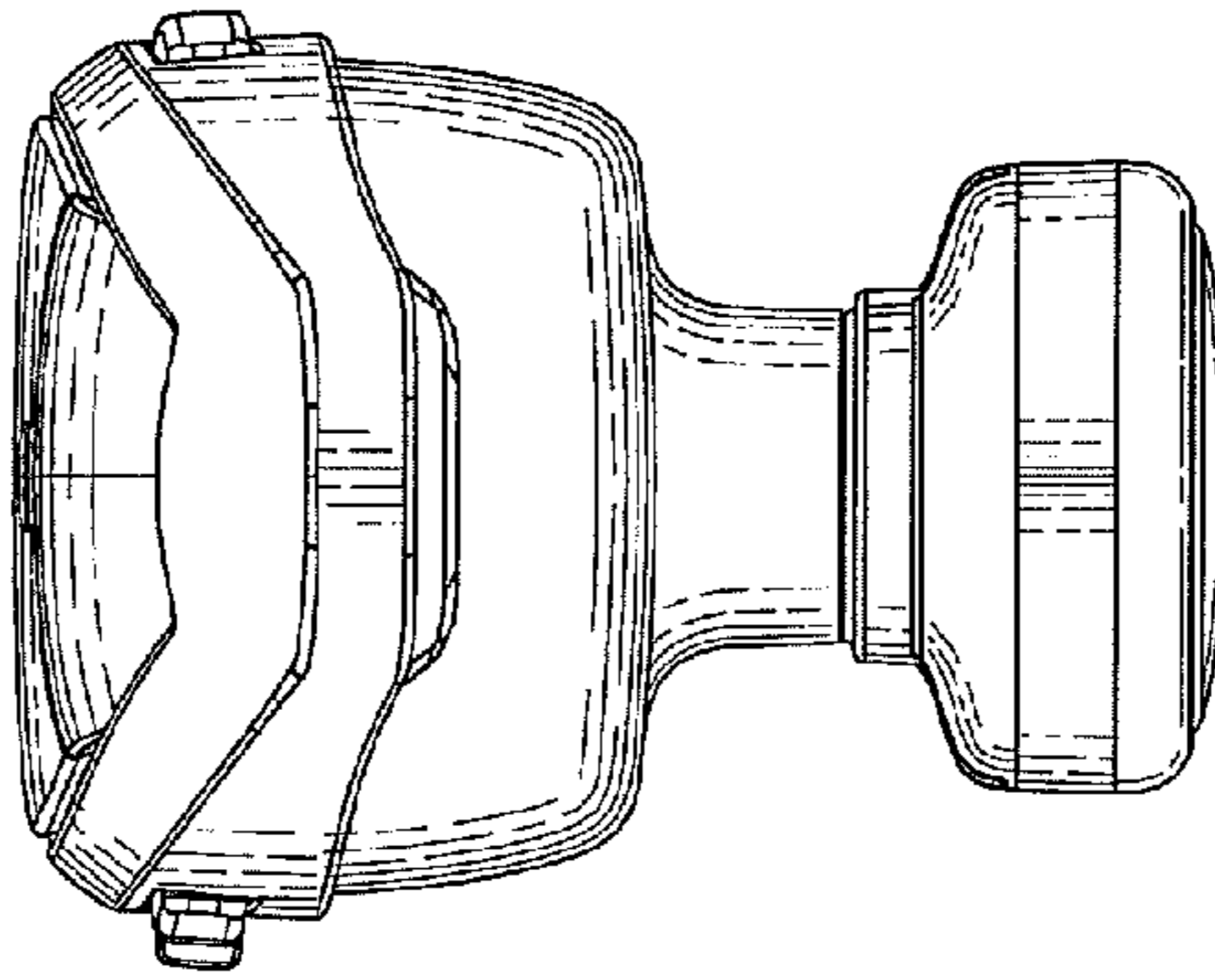


FIG. 7