



US00D634299S

(12) **United States Design Patent**  
**Nara et al.**

(10) **Patent No.:** **US D634,299 S**  
(45) **Date of Patent:** **\*\* Mar. 15, 2011**

(54) **EARPHONE WITH MICROPHONE**

(75) Inventors: **Katsuhiro Nara**, Tokyo (JP); **Kaori Yamamoto**, Fuchu (JP); **Masaru Jinde**, Sagamihara (JP)

(73) Assignee: **Casio Keisanki Kabushiki Kaisha**, Tokyo (JP)

(\*\*) Term: **14 Years**

(21) Appl. No.: **29/355,937**

(22) Filed: **Feb. 17, 2010**

(30) **Foreign Application Priority Data**

Nov. 13, 2009 (JP) ..... 2009-26632

(51) **LOC (9) Cl.** ..... **14-01**

(52) **U.S. Cl.** ..... **D14/206**

(58) **Field of Classification Search** ..... D14/205,  
D14/206, 223, 192, 142; 181/129, 130, 135;  
379/430, 433.01; 381/380, 381, 322; 455/90.3,  
455/575.1, 575.2; D24/174; 128/864, 865;  
D13/110

See application file for complete search history.

(56) **References Cited**

**U.S. PATENT DOCUMENTS**

1,594,262	A	*	7/1926	Homer	.....	455/575.2
D461,787	S	*	8/2002	Brown	.....	D14/203.5
D465,472	S	*	11/2002	Bosch	.....	D14/206
D481,377	S	*	10/2003	Eguchi	.....	D14/223
D562,807	S	*	2/2008	Andre et al.	.....	D14/223
D574,013	S	*	7/2008	Brenwald	.....	D14/496
7,447,529	B2	*	11/2008	Gunter et al.	.....	455/575.2
D595,690	S	*	7/2009	Fullerton	.....	D14/205
D603,837	S	*	11/2009	Martin	.....	D14/206
D605,170	S	*	12/2009	Keinanen	.....	D14/205

D605,628	S	*	12/2009	Ando	.....	D14/205
D607,875	S	*	1/2010	Pedersen, II	.....	D14/206
D614,168	S	*	4/2010	Rogers et al.	.....	D14/206

\* cited by examiner

*Primary Examiner* — Paula Greene

(74) *Attorney, Agent, or Firm* — Holtz, Holtz, Goodman & Chick, PC

(57) **CLAIM**

The ornamental design for an earphone with microphone, as shown and described.

**DESCRIPTION**

FIG. 1 is a front elevational view of an earphone with microphone showing our new design;

FIG. 2 is a rear elevational view thereof;

FIG. 3 is a left side view thereof;

FIG. 4 is a right side view thereof;

FIG. 5 is a top plan view thereof;

FIG. 6 is a bottom plan view thereof;

FIG. 7 is an enlarged scale perspective view thereof, wherein the cord portion is omitted for ease of illustration;

FIG. 8 is a front elevational view thereof;

FIG. 9 is a rear elevational view thereof;

FIG. 10 is a left side view thereof;

FIG. 11 is a right side view thereof;

FIG. 12 is a top plan view thereof;

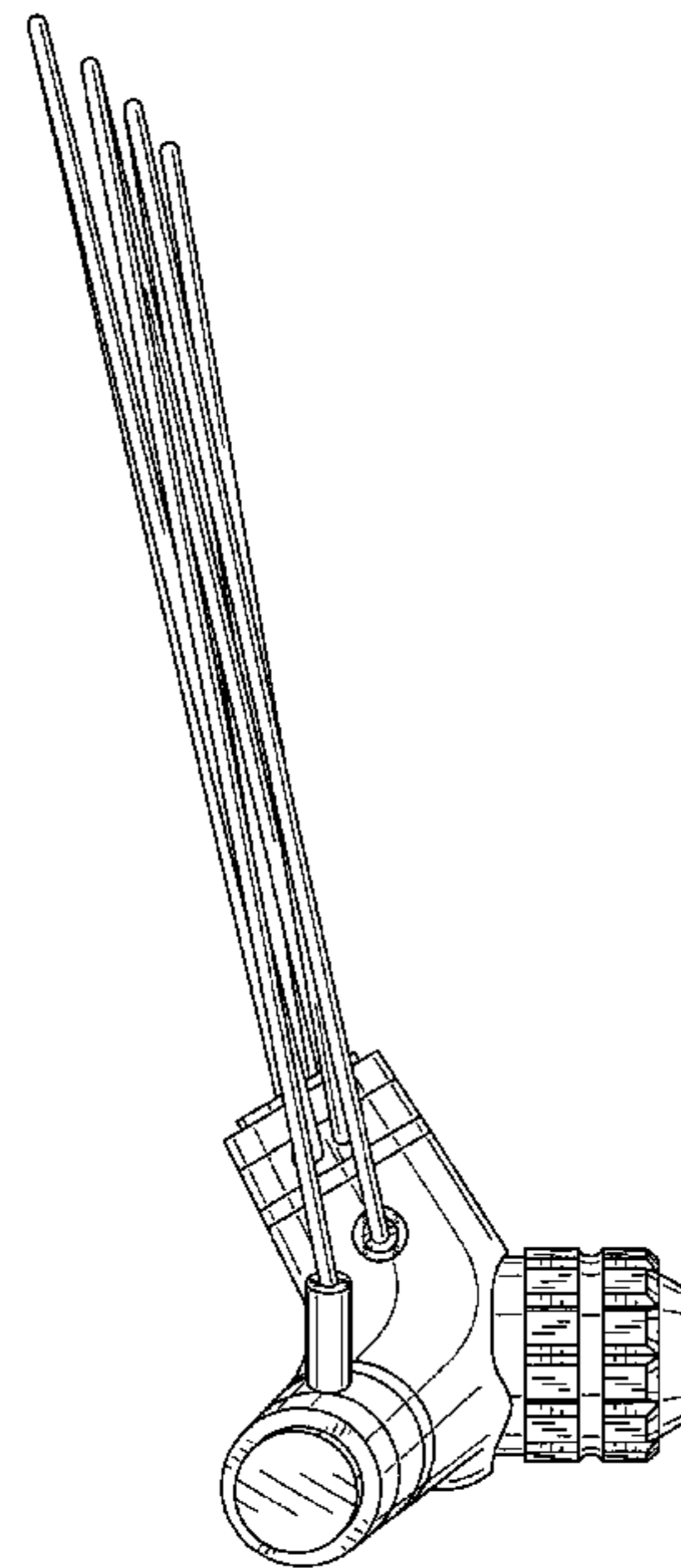
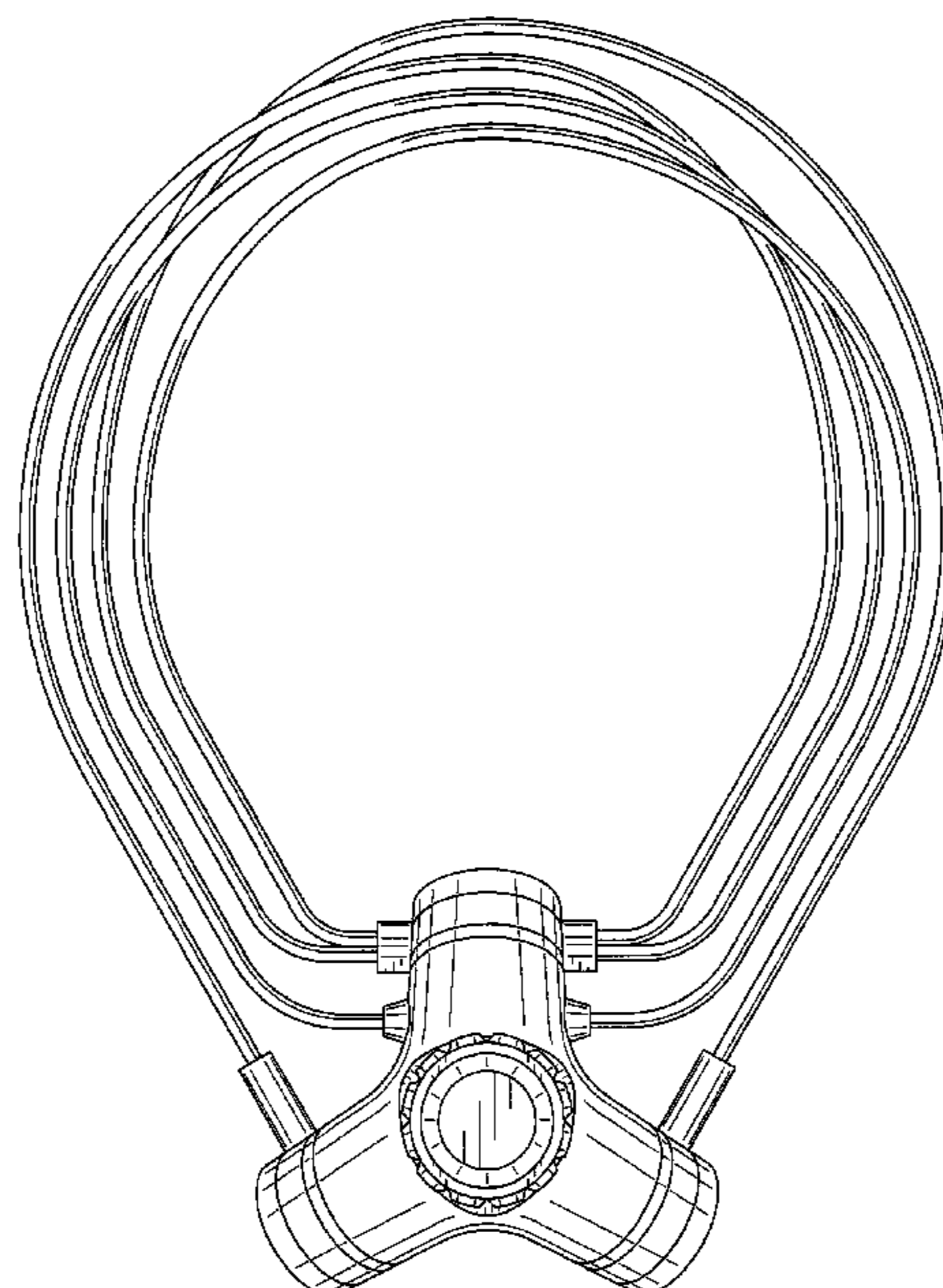
FIG. 13 is a bottom plan view thereof;

FIG. 14 is a reduced scale front elevational view in an alternate position thereof, showing a state in which some parts are detached; and,

FIG. 15 is a perspective view thereof, showing a usage state of FIG. 14.

The portions in broken lines are shown for illustrative purposes only and form no part of the claimed design.

**1 Claim, 11 Drawing Sheets**



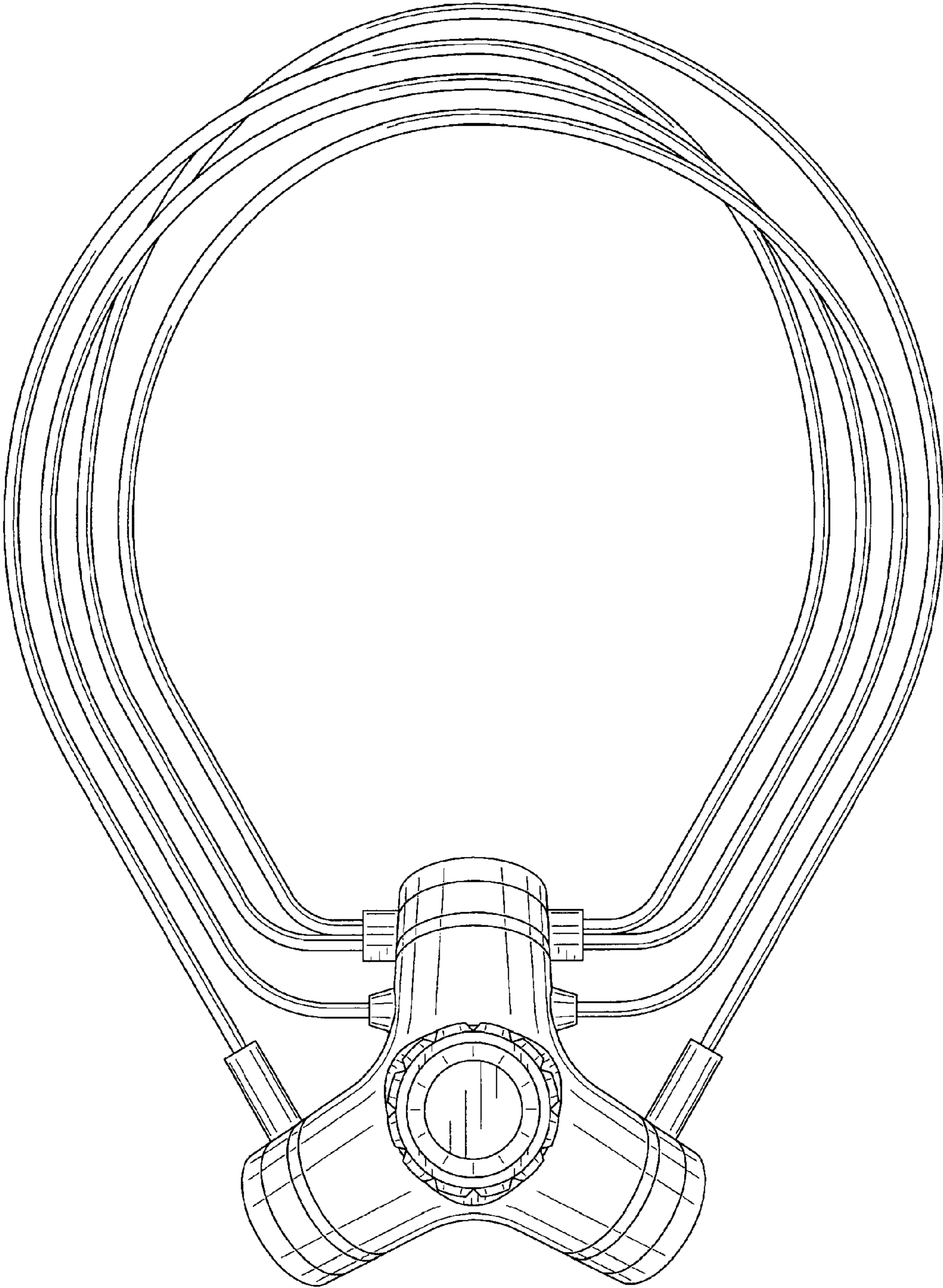


FIG. 1

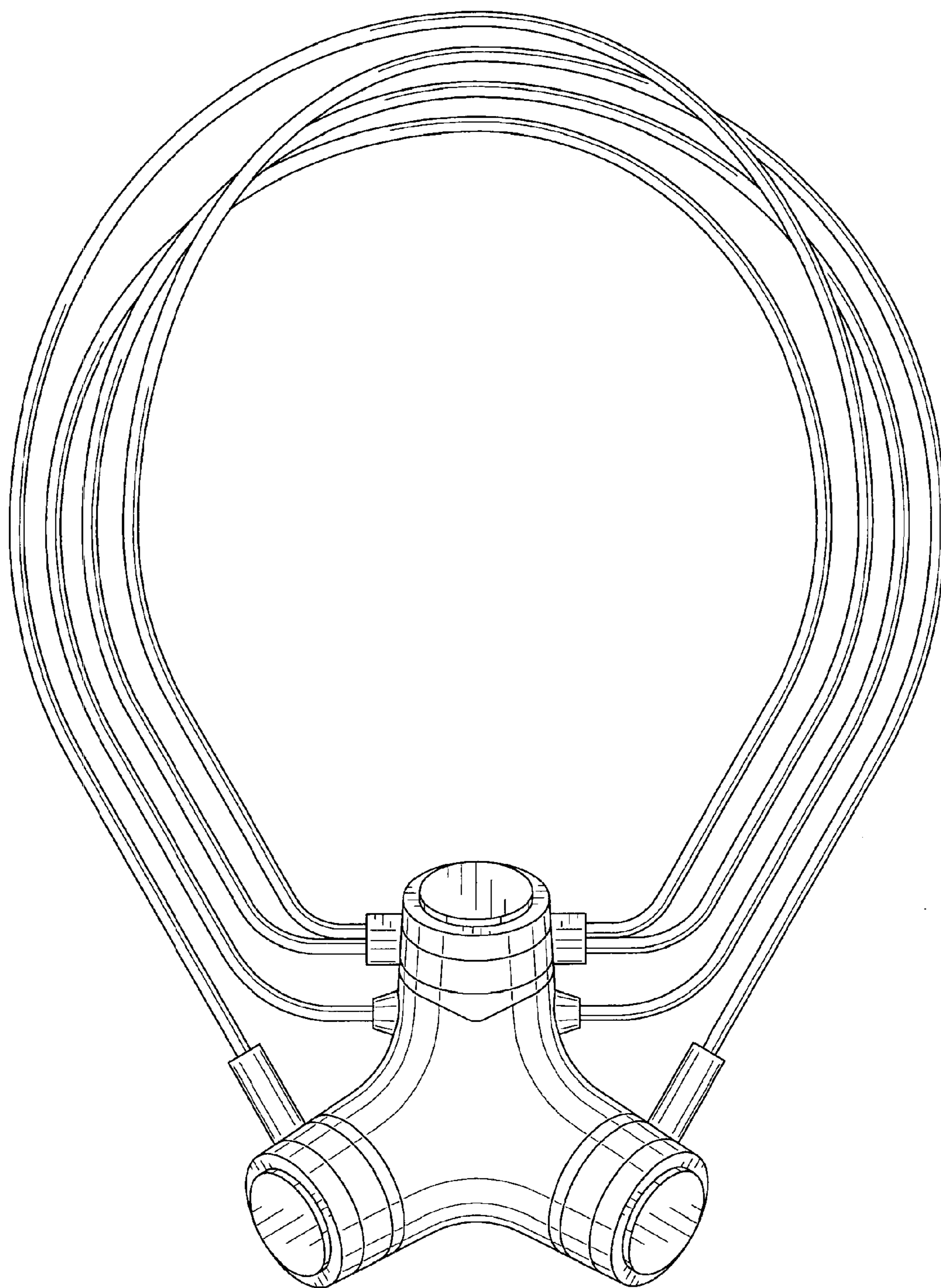


FIG. 2

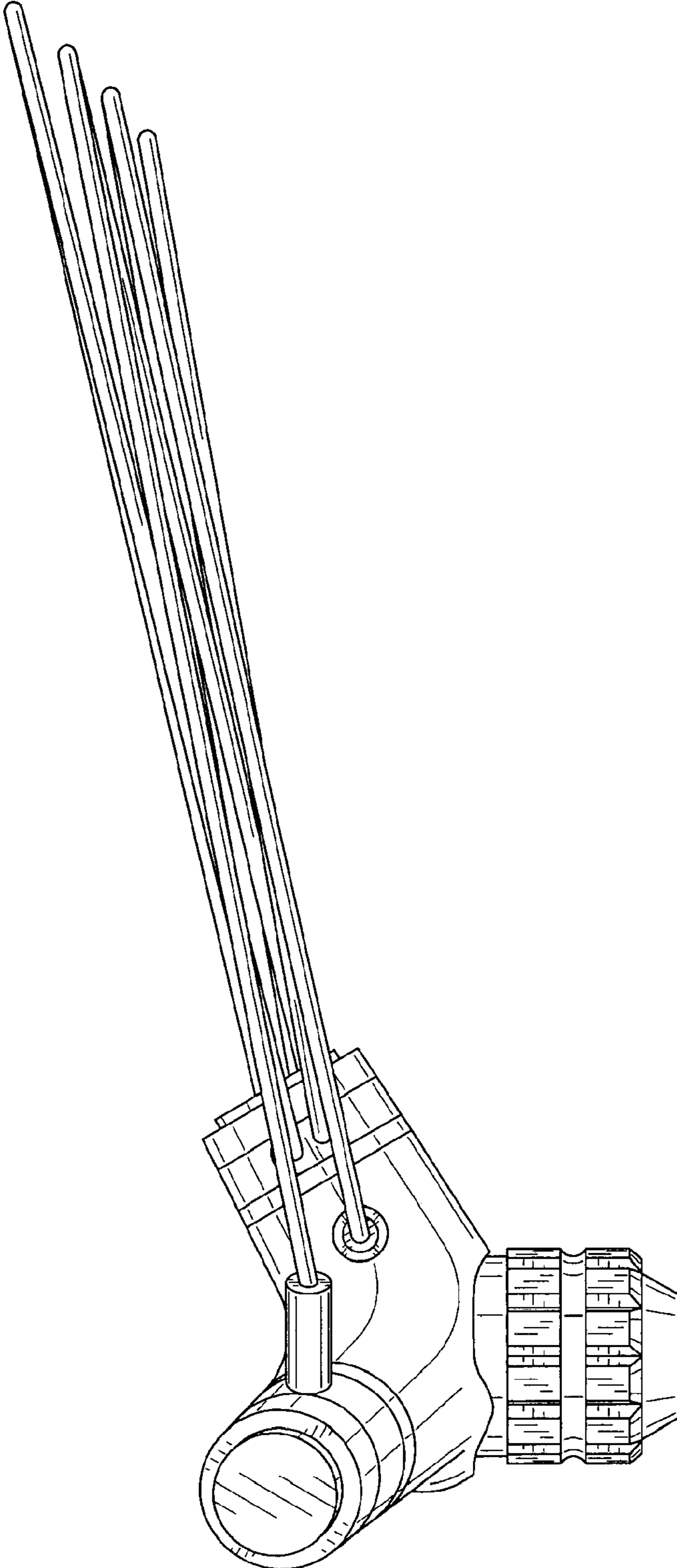


FIG. 3

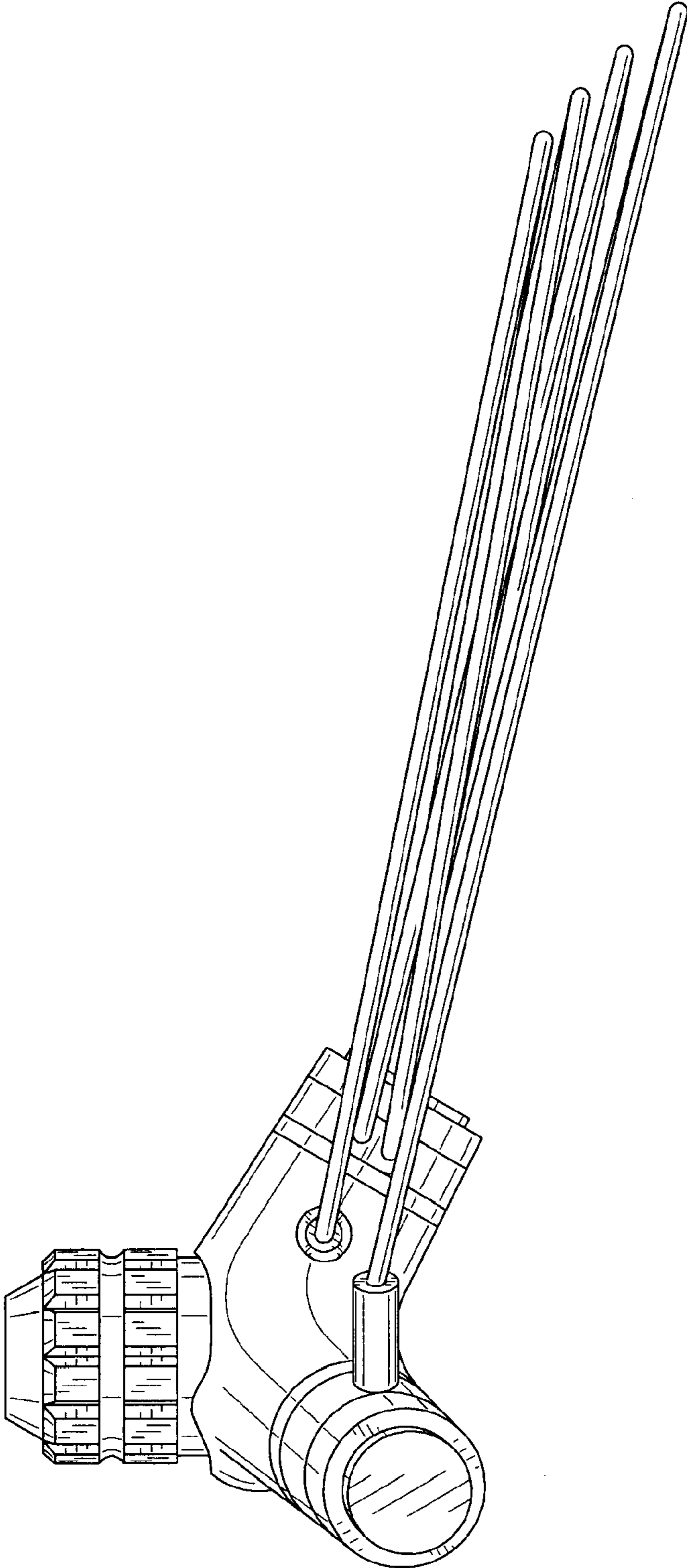


FIG. 4

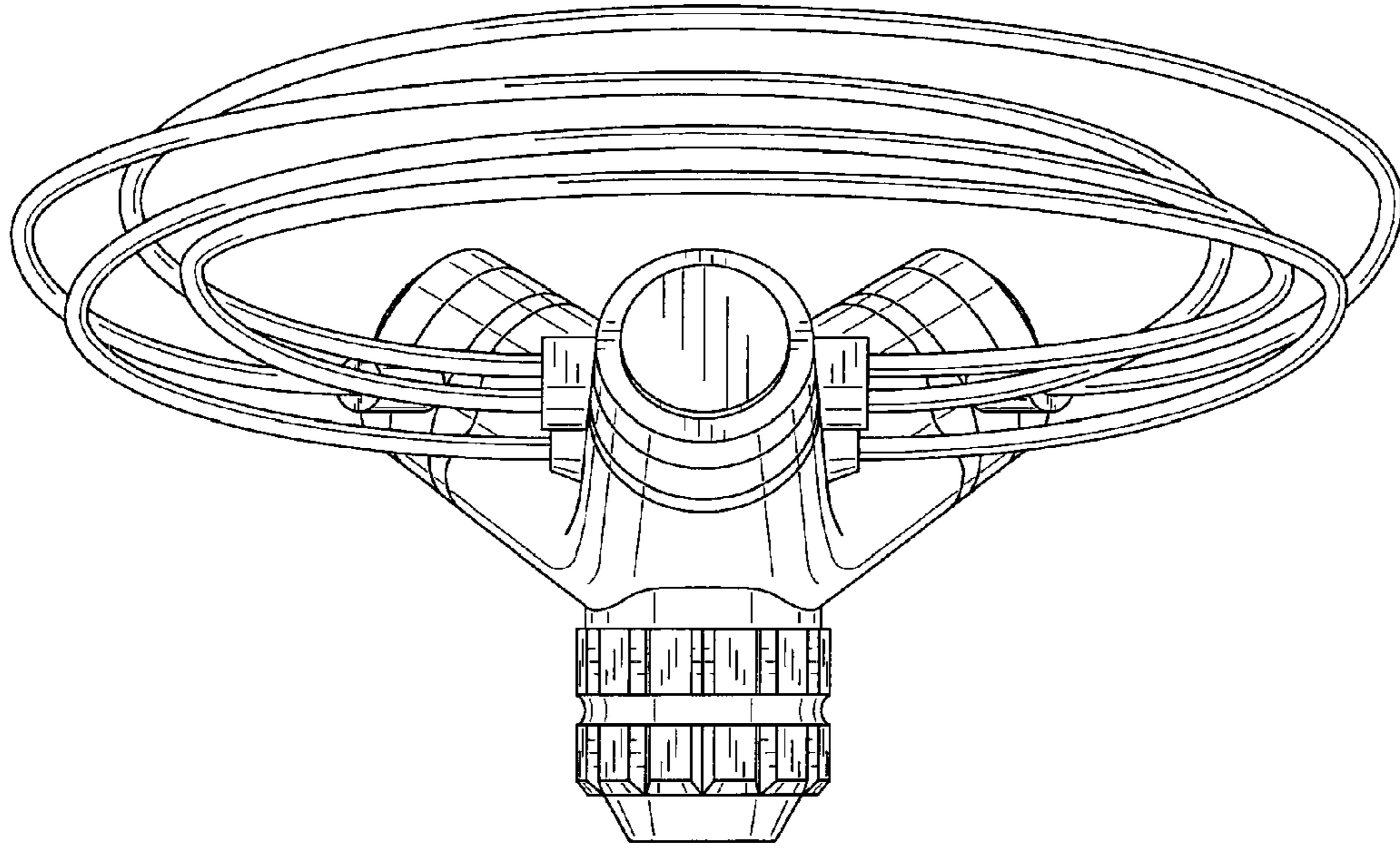


FIG. 5

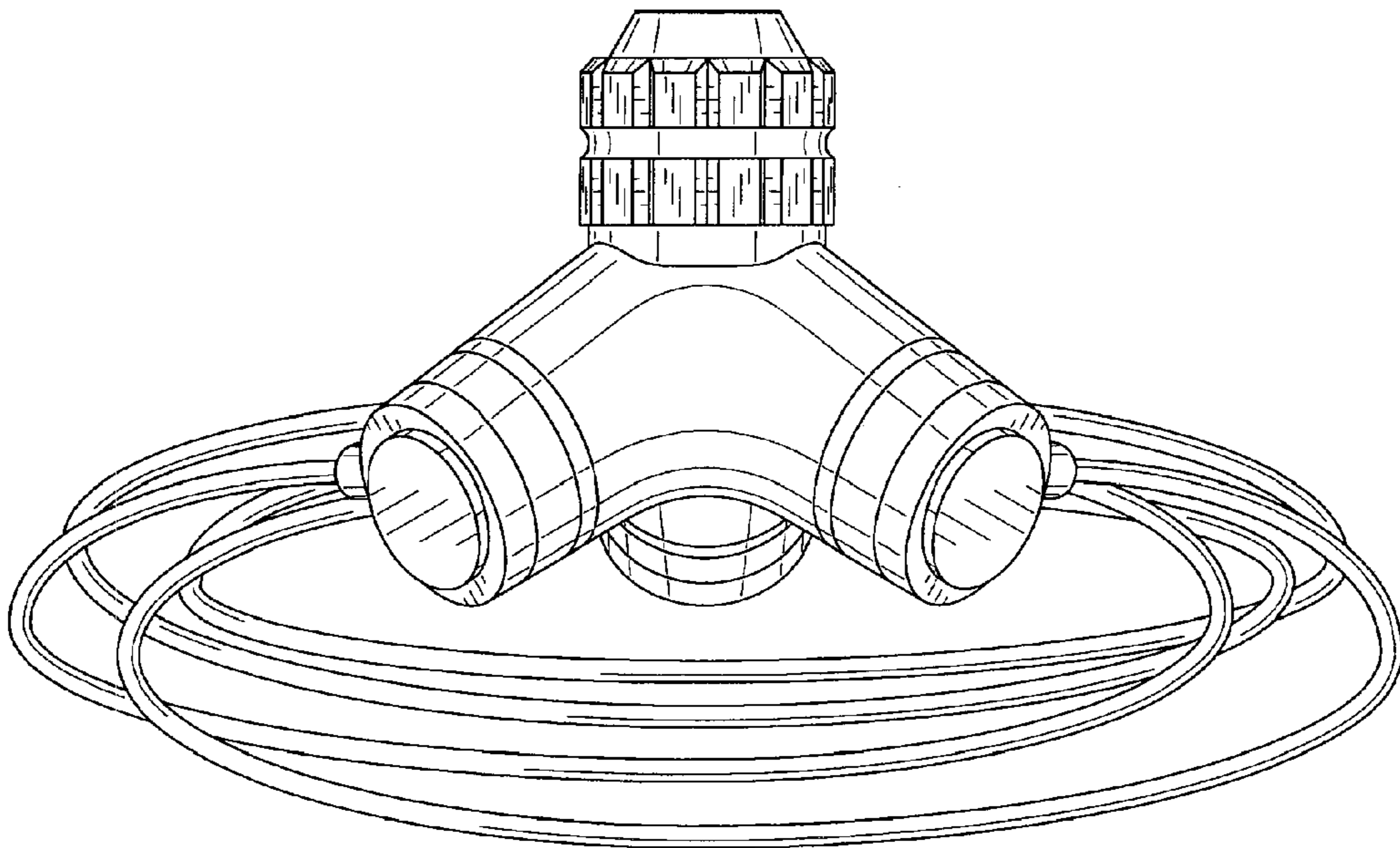


FIG. 6

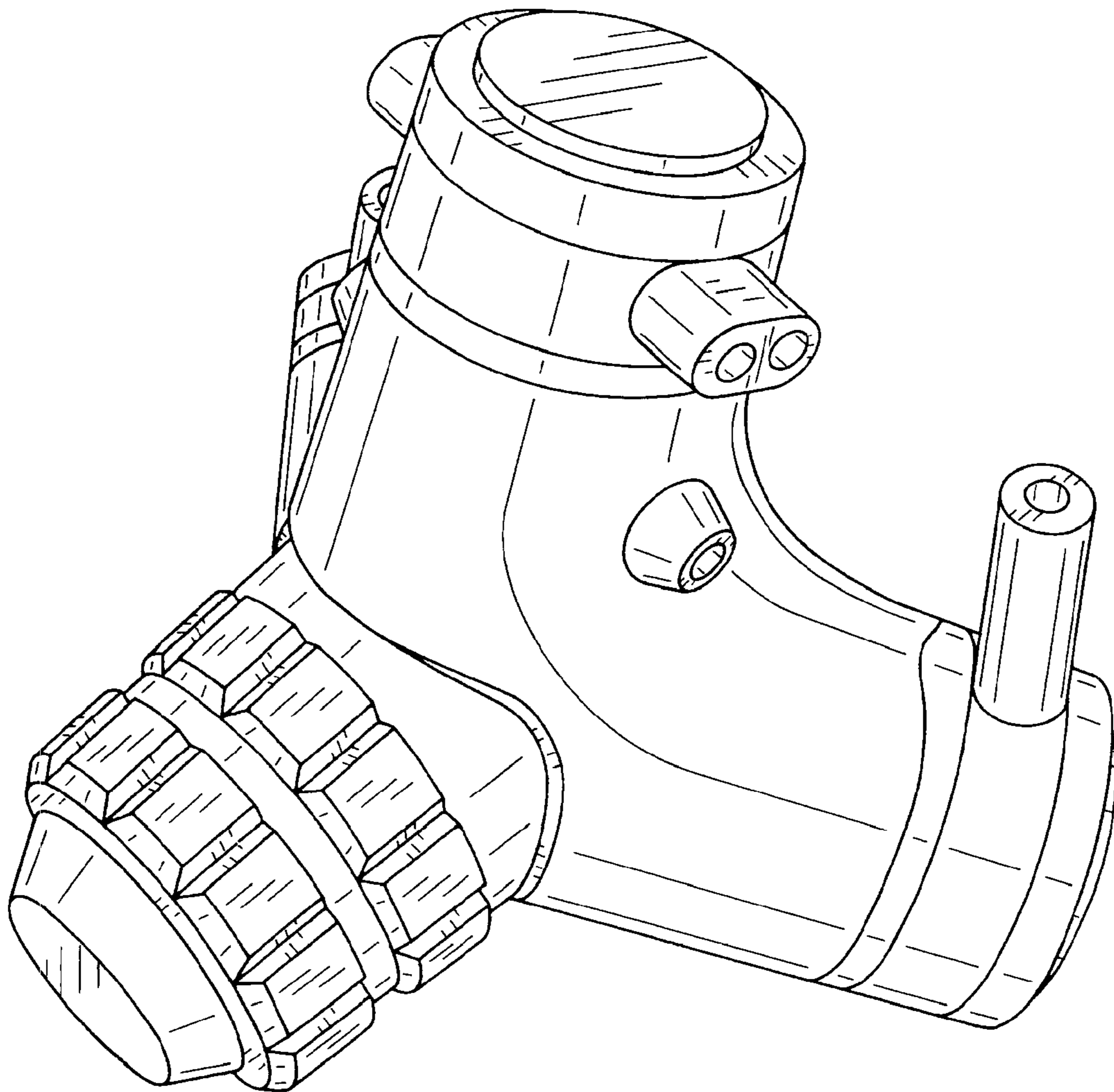


FIG. 7

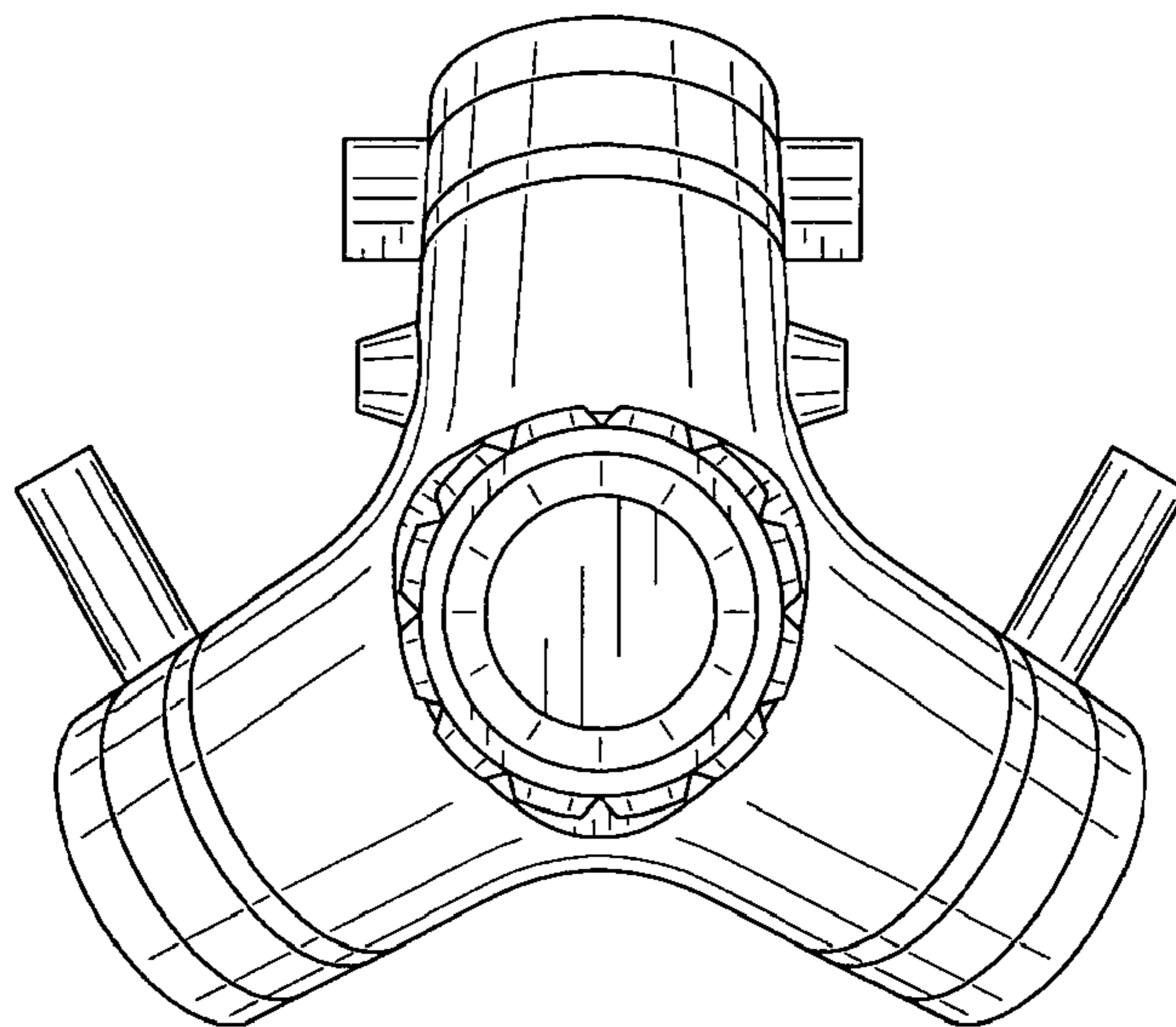


FIG. 8

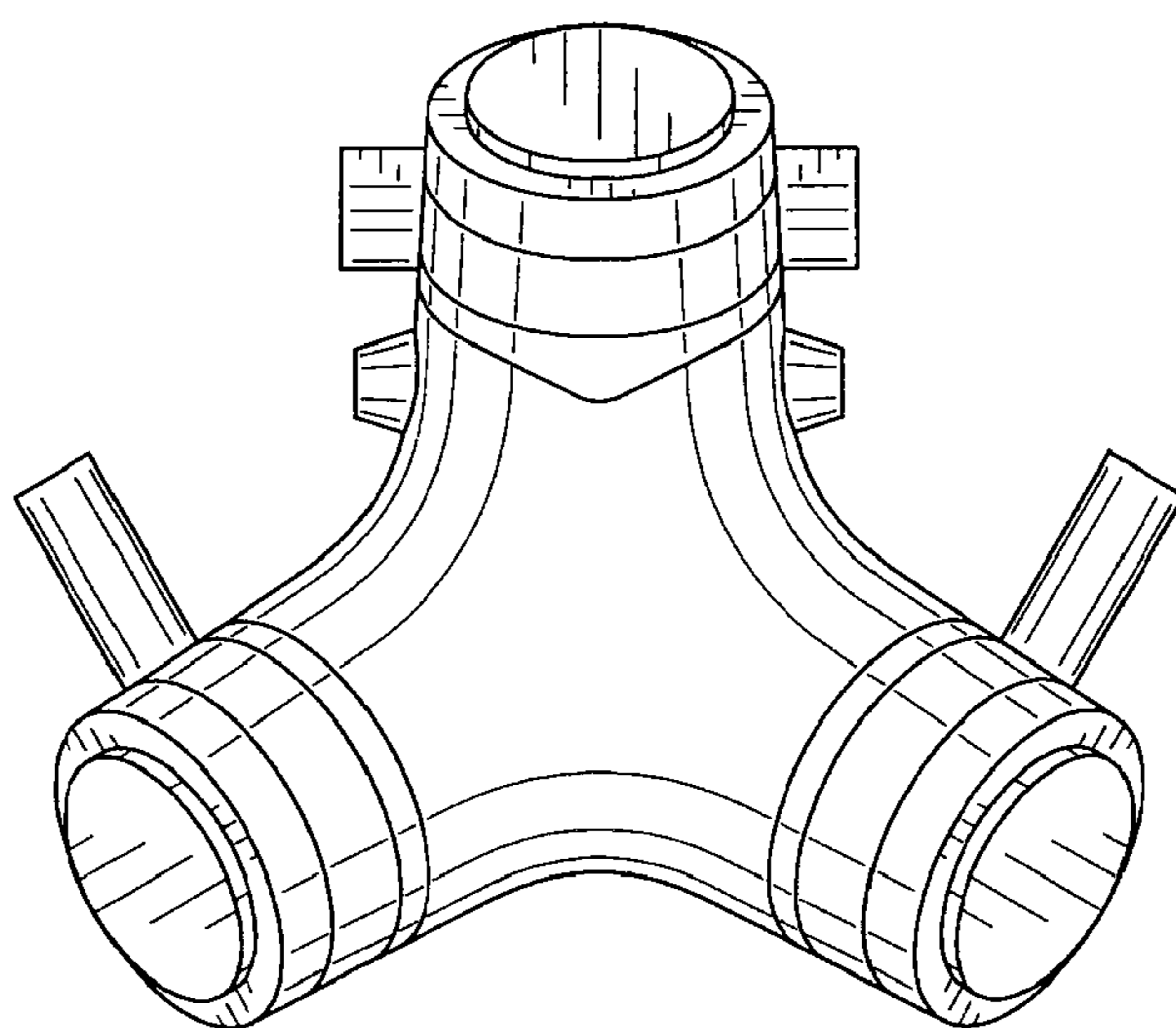


FIG. 9



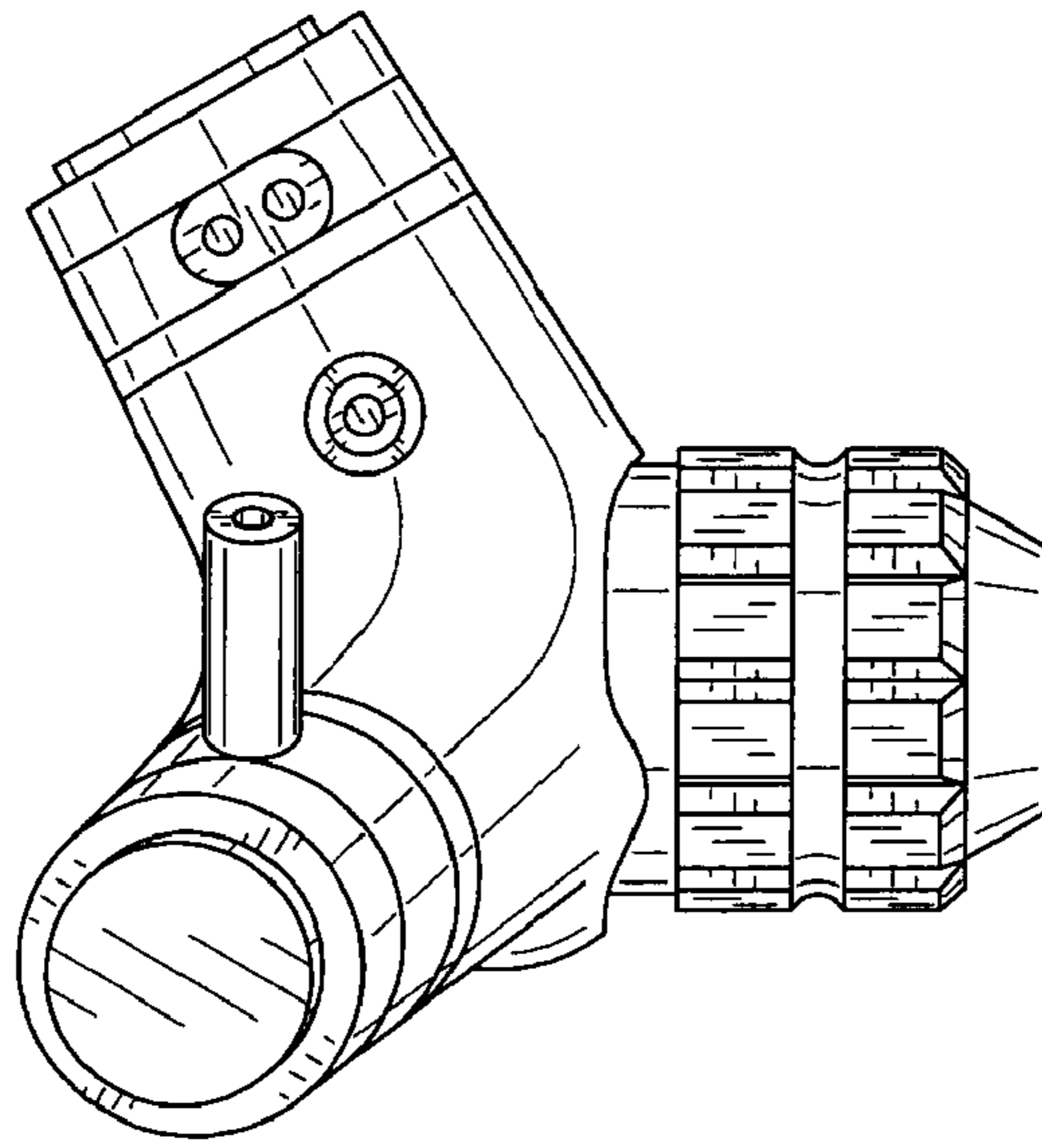


FIG. 10

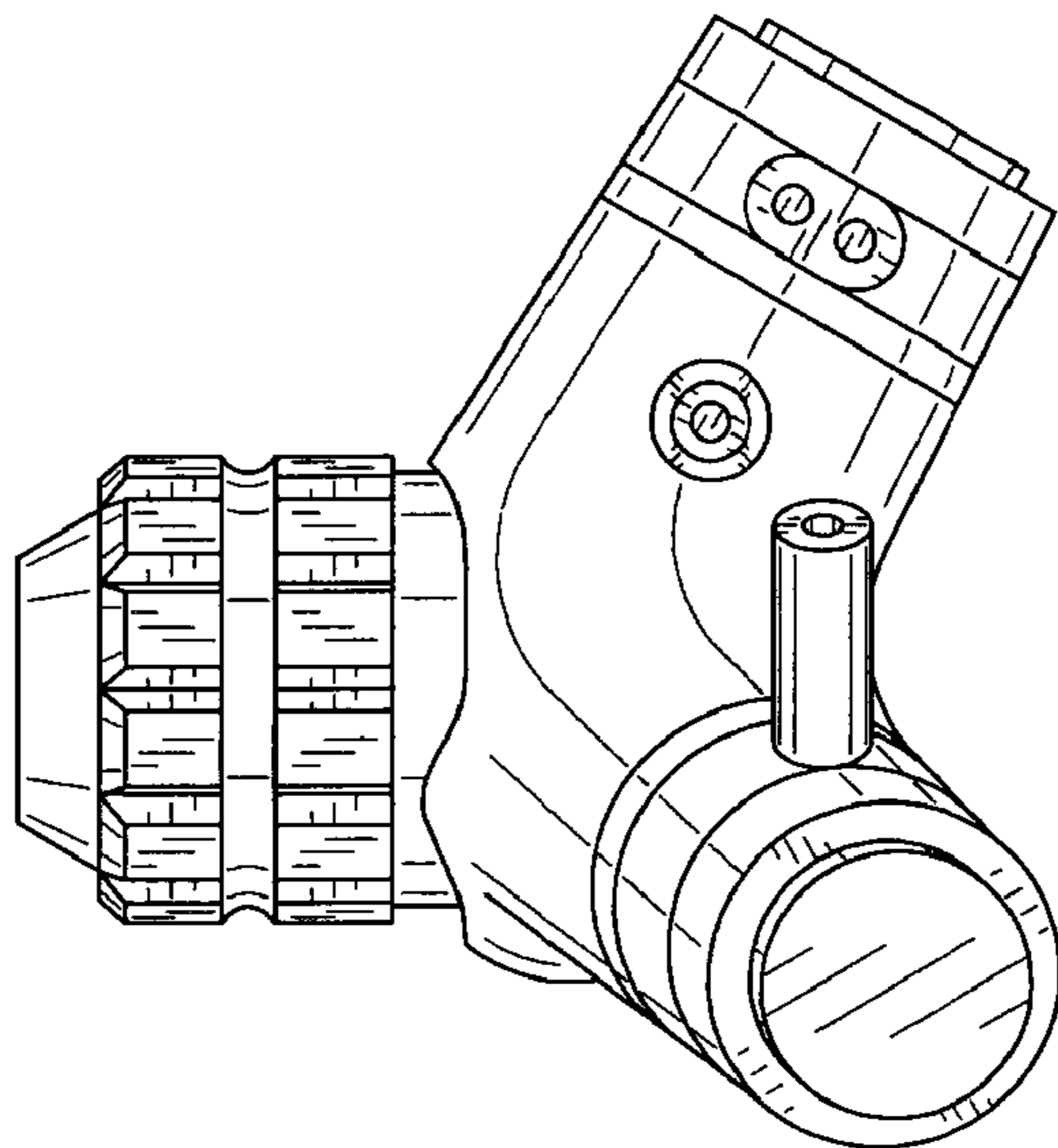


FIG. 11

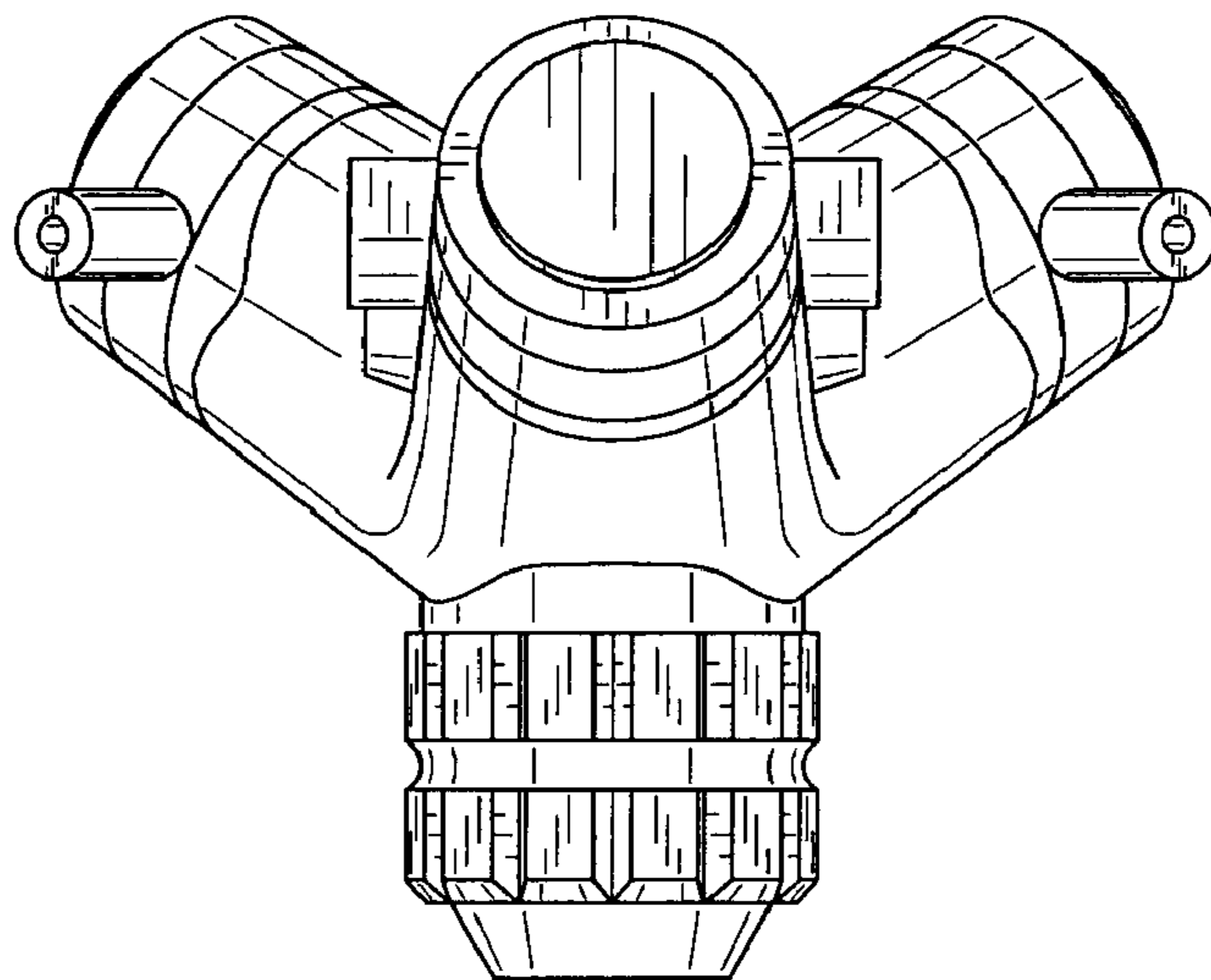


FIG. 12

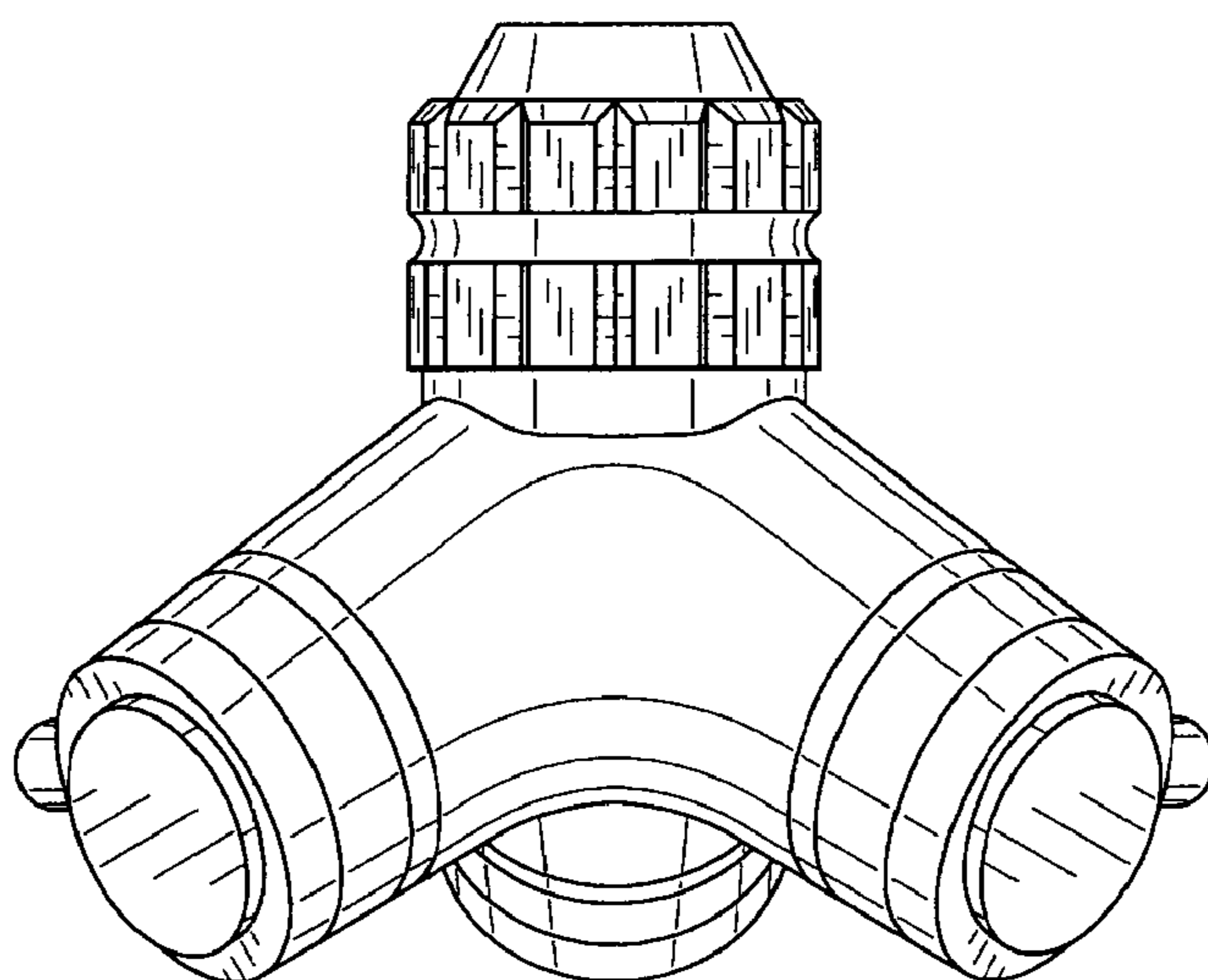


FIG. 13

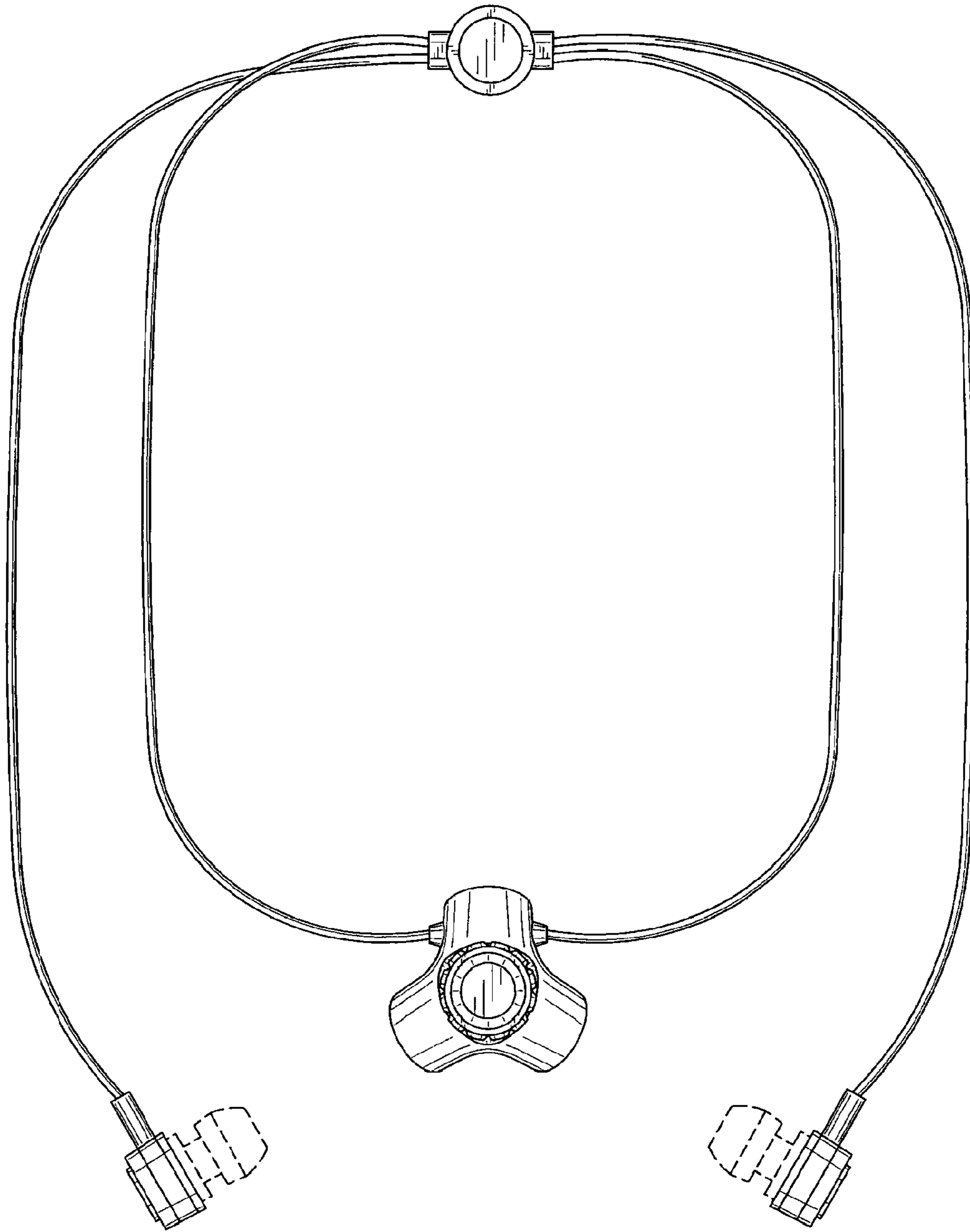


FIG. 14

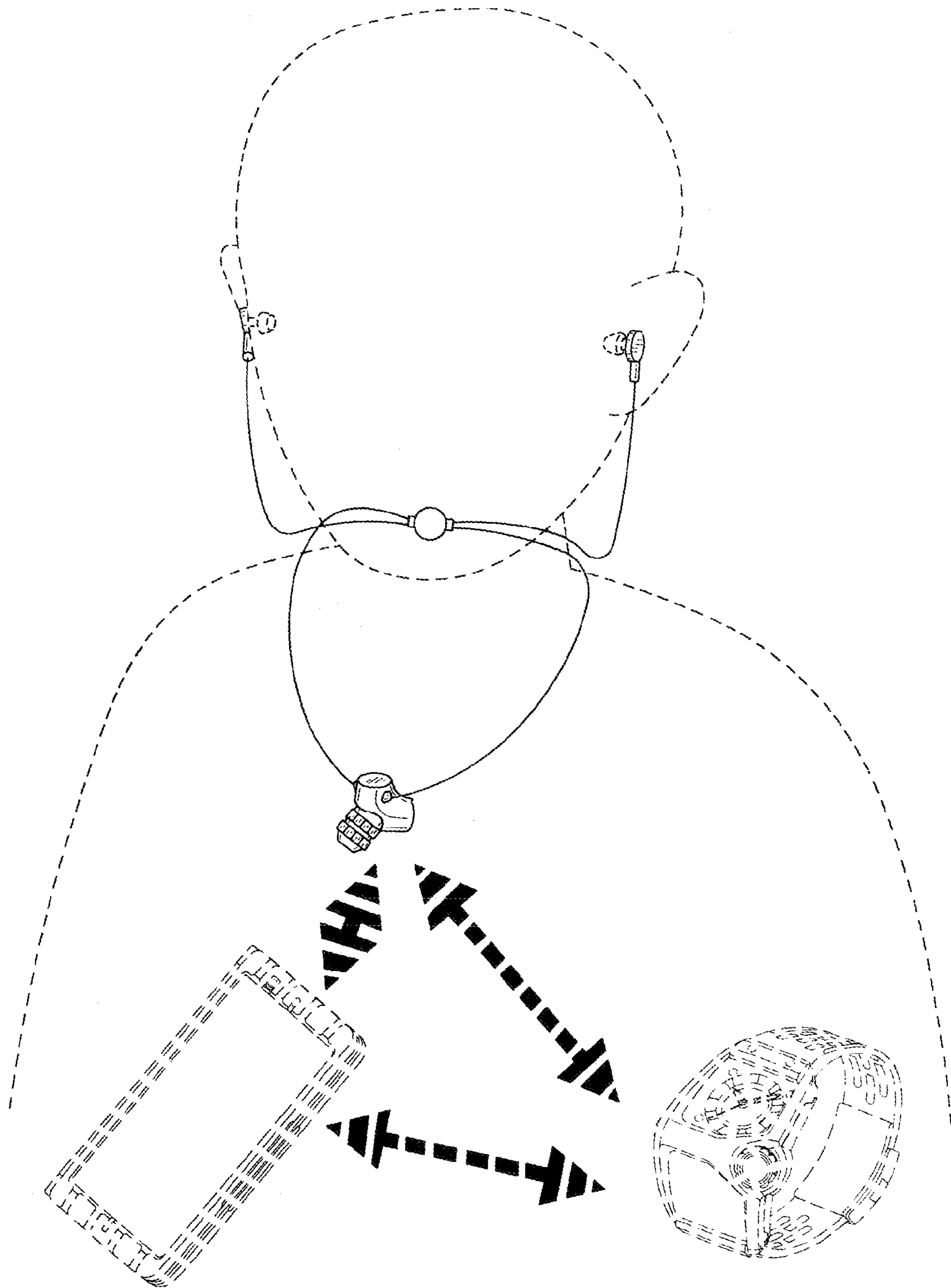


FIG. 15