

US00D634296S

(12) **United States Design Patent**
Tani et al.

(10) **Patent No.:** **US D634,296 S**
(45) **Date of Patent:** **** Mar. 15, 2011**

- (54) **TELEPHONE BASE UNIT**
- (75) Inventors: **Atsushi Tani**, Kadoma (JP); **Takashi Hasegawa**, Kadoma (JP); **Takayuki Okawa**, Kadoma (JP)
- (73) Assignee: **Matsushita Electric Industrial Co., Ltd.**, Osaka (JP)
- (**) Term: **14 Years**
- (21) Appl. No.: **29/297,591**
- (22) Filed: **Nov. 14, 2007**
- (51) **LOC (9) Cl.** **14-03**
- (52) **U.S. Cl.** **D14/149**
- (58) **Field of Classification Search** D14/125, D14/130, 136-137, 140, 140.1, 140.5, 140.8, D14/141.1, 141.3, 142, 147-151, 158-159, D14/171, 188, 225-226, 240, 243, 251, 253, D14/349, 356, 358, 434; 379/387.01, 388.02, 379/420.02, 447; 381/16; D13/107-108; 191/12.2 R; 320/108, 114; 455/411; 343/702
See application file for complete search history.

D533,148 S * 12/2006 Hong D14/125
 D538,273 S 3/2007 Liu
 D541,274 S * 4/2007 Wang D14/356

FOREIGN PATENT DOCUMENTS

WO DM/051580 * 6/1999

OTHER PUBLICATIONS

Polycom Communicator C100S, <URL:http://www.101phones.com/details/2116-551/Polycom-Communicator-Communicator-C100S-Blue.html>, retrieved from internet Feb. 10, 2008.*

* cited by examiner

Primary Examiner — Ian Simmons
Assistant Examiner — Carla Wright

(74) *Attorney, Agent, or Firm* — Brinks Hofer Gilson & Lione

(57) **CLAIM**

We claim the ornamental design for a telephone base unit, as shown and described.

DESCRIPTION

FIG. 1 is a front perspective view of a telephone base unit of the present invention;

FIG. 2 is a front view thereof;

FIG. 3 is a rear view thereof;

FIG. 4 is a first side view thereof;

FIG. 5 is a second side view thereof;

FIG. 6 is a top view thereof; and,

FIG. 7 is a bottom view thereof.

The broken line showing of environmental structures is for illustrative purposes only and forms no part of the claimed design.

All portions of the drawing to which surface shading has been applied are part of the claimed design.

1 Claim, 7 Drawing Sheets

(56) **References Cited**

U.S. PATENT DOCUMENTS

4,136,344	A	*	1/1979	Nakao et al.	343/702
D370,911	S	*	6/1996	Mo	D14/149
D386,495	S	*	11/1997	Schmoll	D14/149
D432,125	S	*	10/2000	Masuda et al.	D14/349
D445,087	S	*	7/2001	Skoger et al.	D13/108
D453,507	S	*	2/2002	Probasco et al.	D14/240
D463,792	S	*	10/2002	Stokes et al.	D14/140.5
D471,540	S	*	3/2003	Tomino et al.	D14/240
D489,720	S	*	5/2004	Sasaki	D14/358
D490,388	S	*	5/2004	Ng et al.	D14/136
D498,224	S	*	11/2004	Breton et al.	D14/149
D525,232	S		7/2006	Wen		

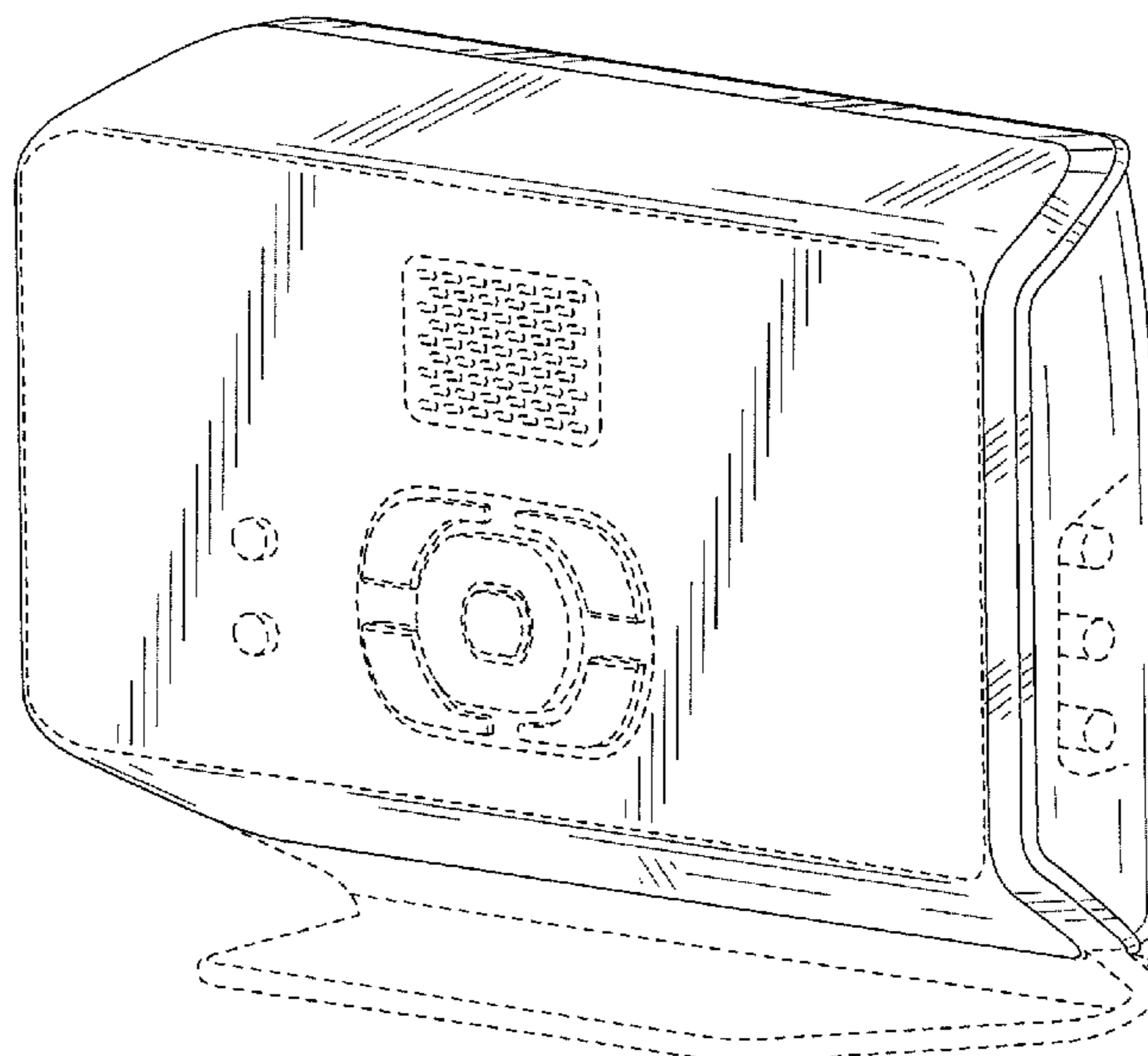


FIG.1

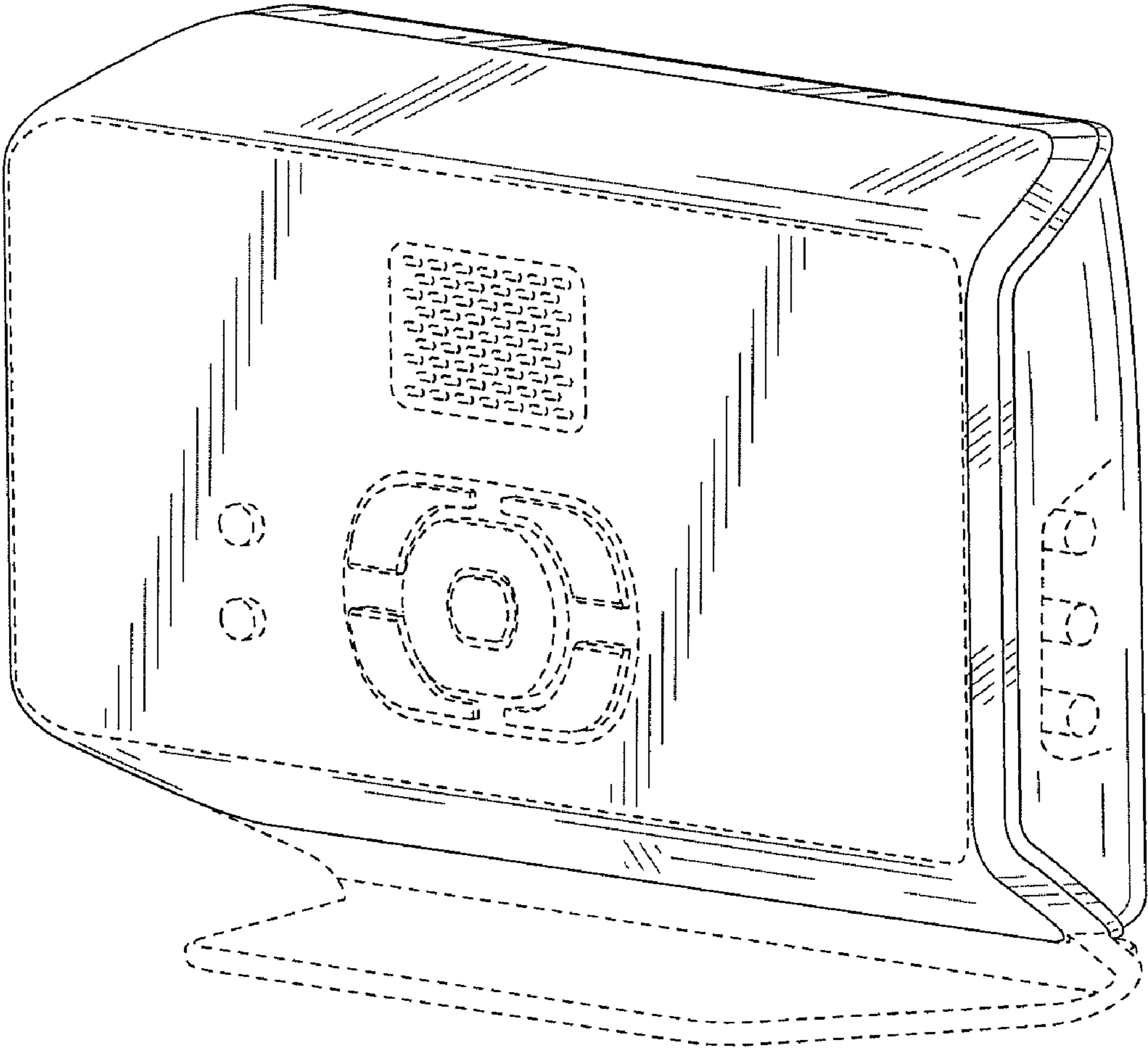


FIG.2

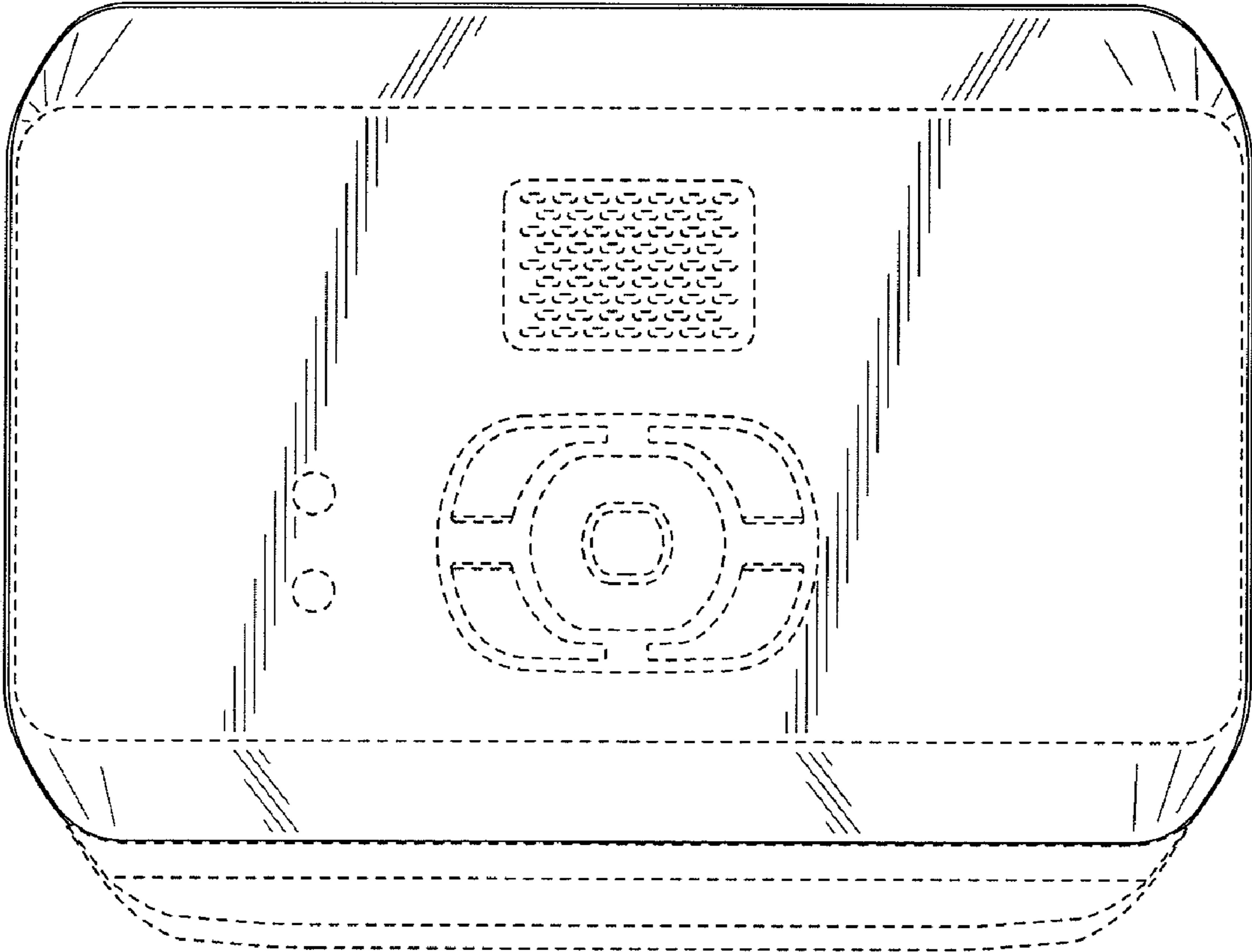


FIG.3

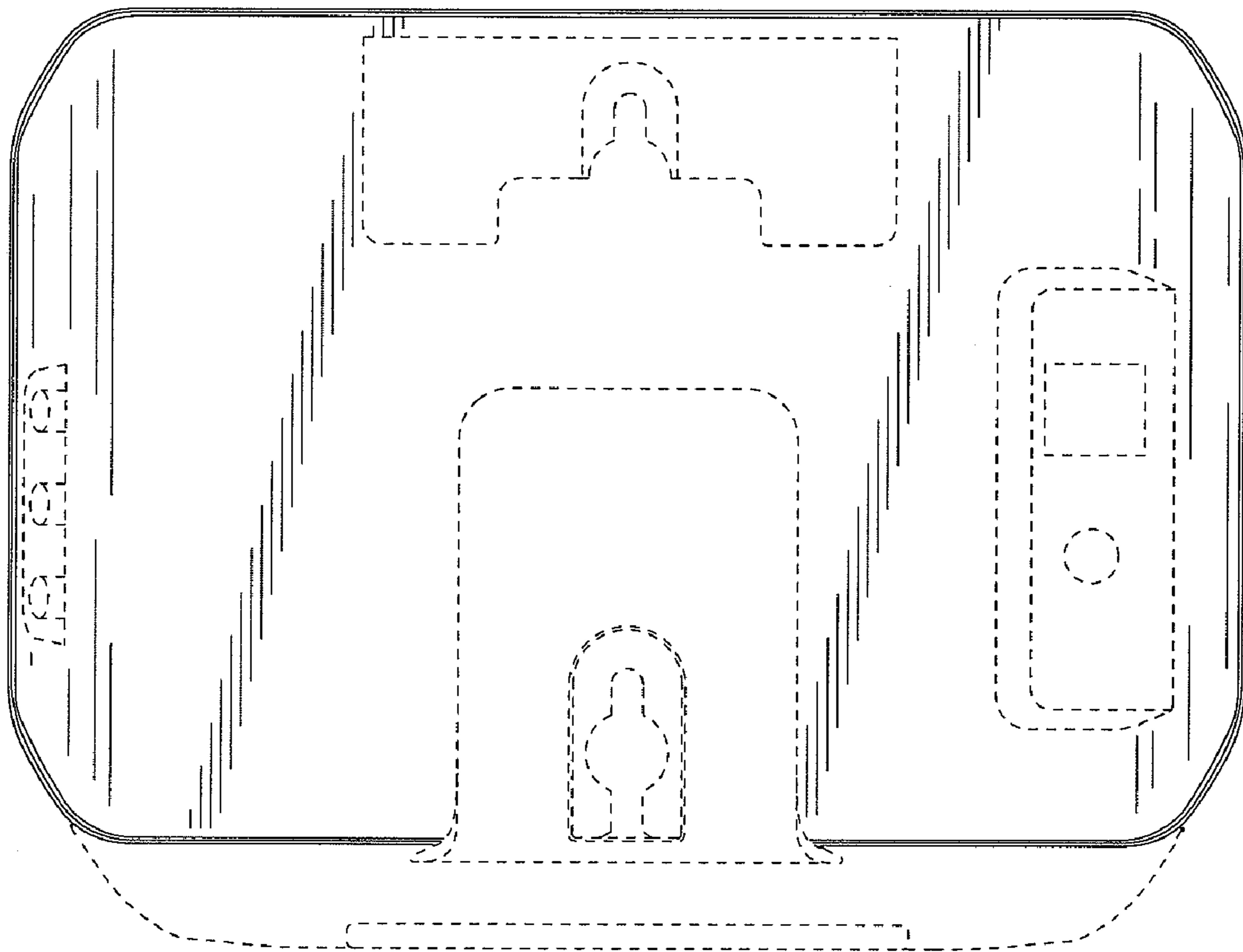


FIG.4

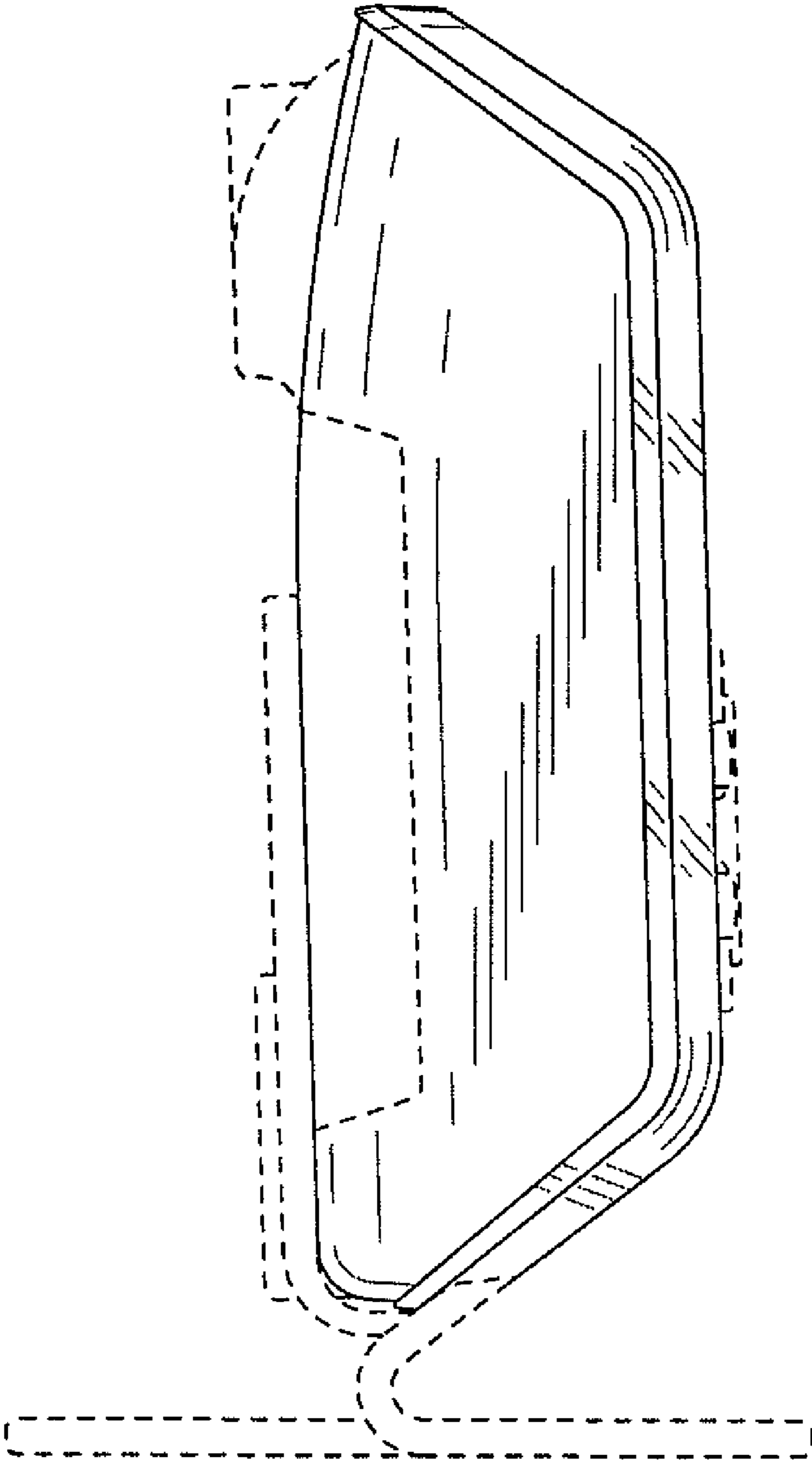


FIG.5

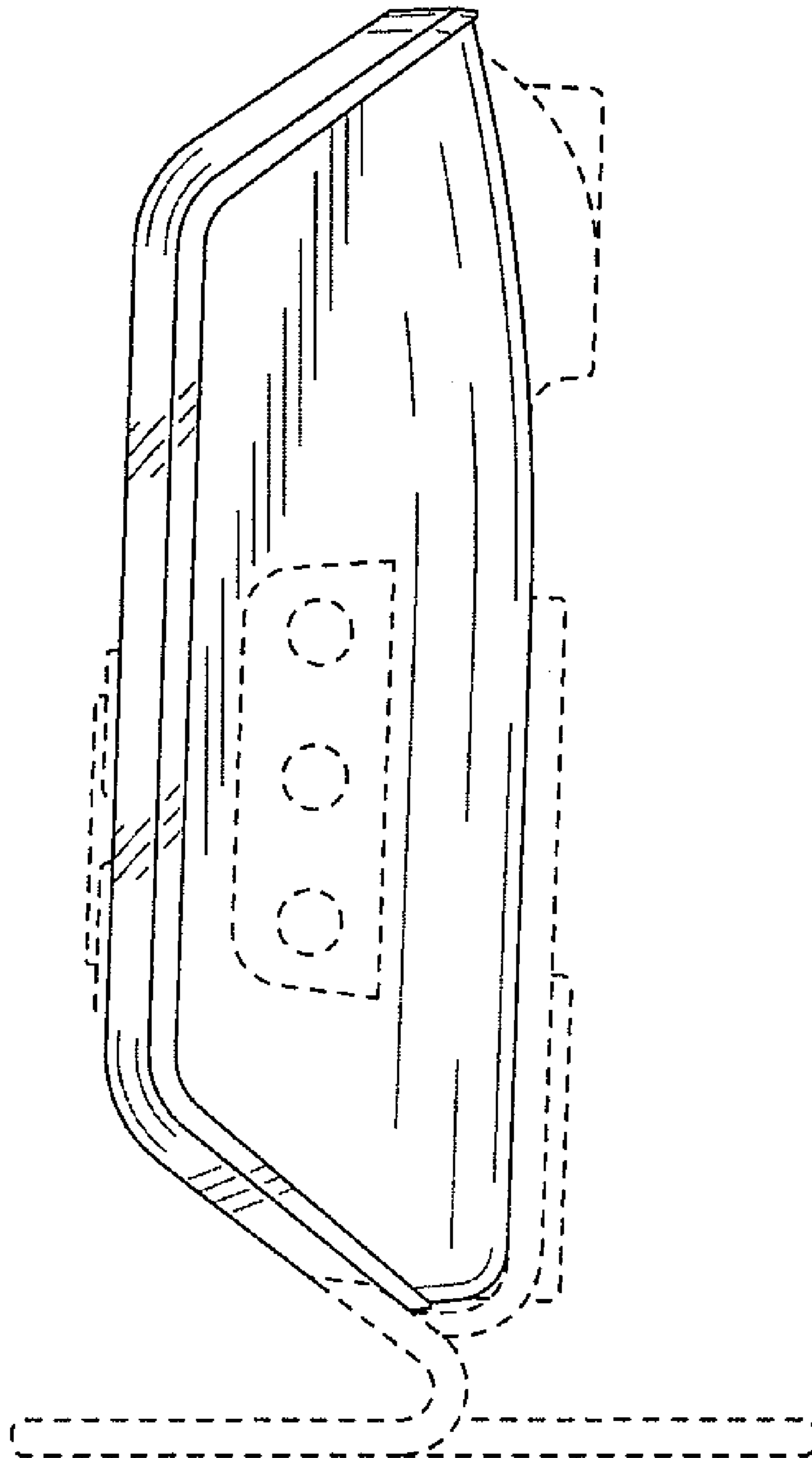


FIG.6

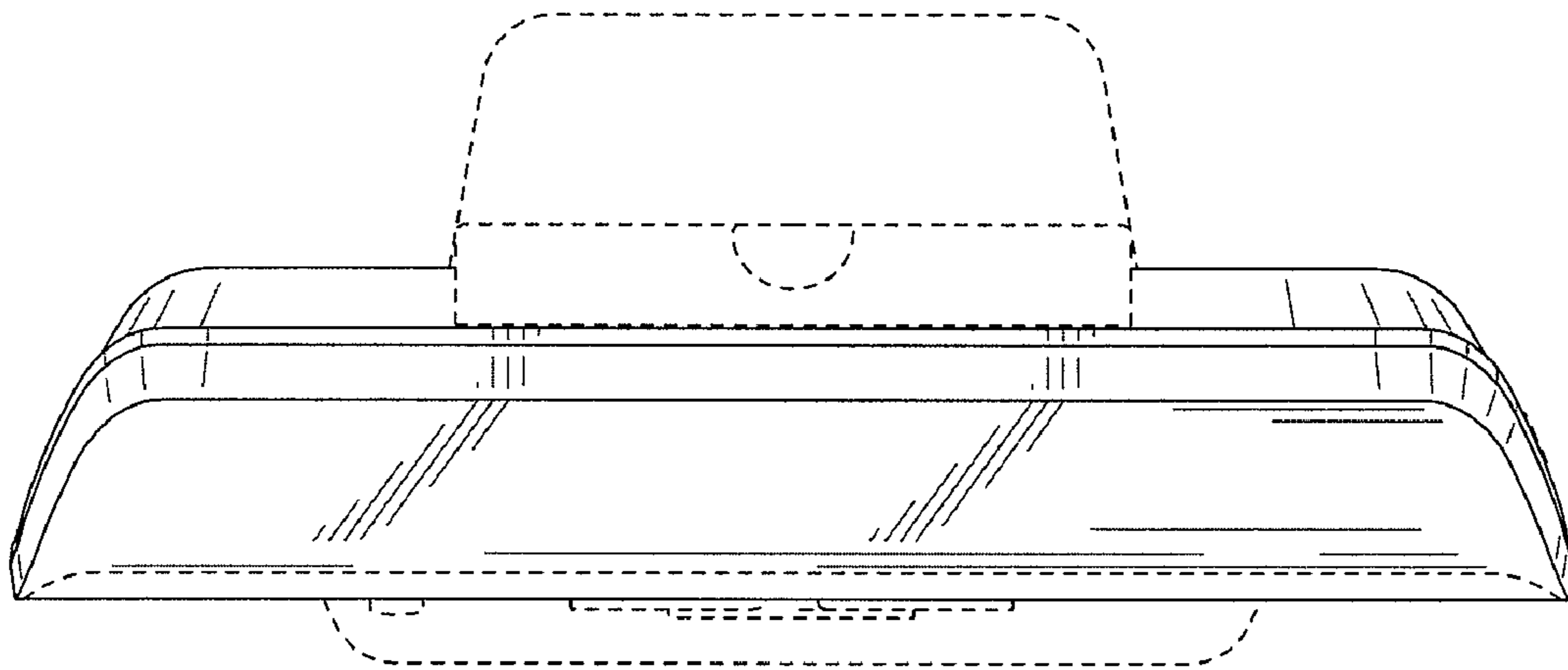


FIG.7

