

US00D634295S

(12) **United States Design Patent**
Turnbull et al.

(10) **Patent No.:** **US D634,295 S**
(45) **Date of Patent:** **** Mar. 15, 2011**

(54) **KEY EXTENSION MODULE FOR TELEPHONE**
(75) Inventors: **Robert Turnbull**, Calgary (CA);
Alexander Feldman, Vancouver (CA);
David Render, Belleville (CA); **Robbie Roberts**, Port Moody (CA)

(73) Assignee: **Avaya Inc.**, Basking Ridge, NJ (US)

(**) Term: **14 Years**

(21) Appl. No.: **29/352,171**

(22) Filed: **Dec. 17, 2009**

Related U.S. Application Data

(63) Continuation of application No. 29/297,958, filed on Nov. 23, 2007, now Pat. No. Des. 609,212.

(51) **LOC (9) Cl.** **14-03**

(52) **U.S. Cl.** **D14/140.8; D14/240**

(58) **Field of Classification Search** D14/151,
D14/137, 138 R, 138 AA, 138 G, 140, 140.8,
D14/141.2, 142, 147-150, 240, 242, 247-248;
379/419, 428.01-428.04, 454-456, 440,
379/446, 434-436, 420.04, 420.7, 441, 442;
D13/162, 164, 184; 455/551, 566, 575.1,
455/90.3

See application file for complete search history.

(56) **References Cited**

U.S. PATENT DOCUMENTS

D206,590 S	1/1967	Haggstrom	
D227,117 S	6/1973	Breger	
D277,476 S	2/1985	Foggia et al.	
D306,027 S	2/1990	Gagnon	
D313,221 S	12/1990	Skully et al.	
D318,276 S	7/1991	Fuqua et al.	
D321,885 S	11/1991	Sheldrake	
D325,576 S	4/1992	Pitkonen	
5,121,427 A	6/1992	Gumb	
D333,304 S *	2/1993	Taniuchi et al.	D14/140
D345,558 S	3/1994	Hillenmayer et al.	

D346,384 S	4/1994	Ford et al.	
D362,249 S	9/1995	Burstedt et al.	
D366,484 S	1/1996	Levin	
D368,091 S	3/1996	Yoshihiko et al.	
D374,674 S	10/1996	Elkins et al.	
D375,094 S	10/1996	Toh	
D387,056 S	12/1997	Yoneyama	
D387,063 S	12/1997	Hillenmayer et al.	
D406,836 S *	3/1999	Forget	D14/147
5,961,016 A	10/1999	Hartmann et al.	

(Continued)

OTHER PUBLICATIONS

“Nortel Expansion Module for IP Phone 2000 Series”, 3 pages [on line], retrieved on Mar. 5, 2010. Retrieved from Internet, <URL: <http://www.google.com>>.*

(Continued)

Primary Examiner — Ian Simmons

Assistant Examiner — Wan Laymon

(74) *Attorney, Agent, or Firm* — Ridout & Maybee LLP

(57) **CLAIM**

The ornamental design of the key extension module for telephone, as shown and described.

DESCRIPTION

FIG. 1 is a top view of the key extension module according to the design;

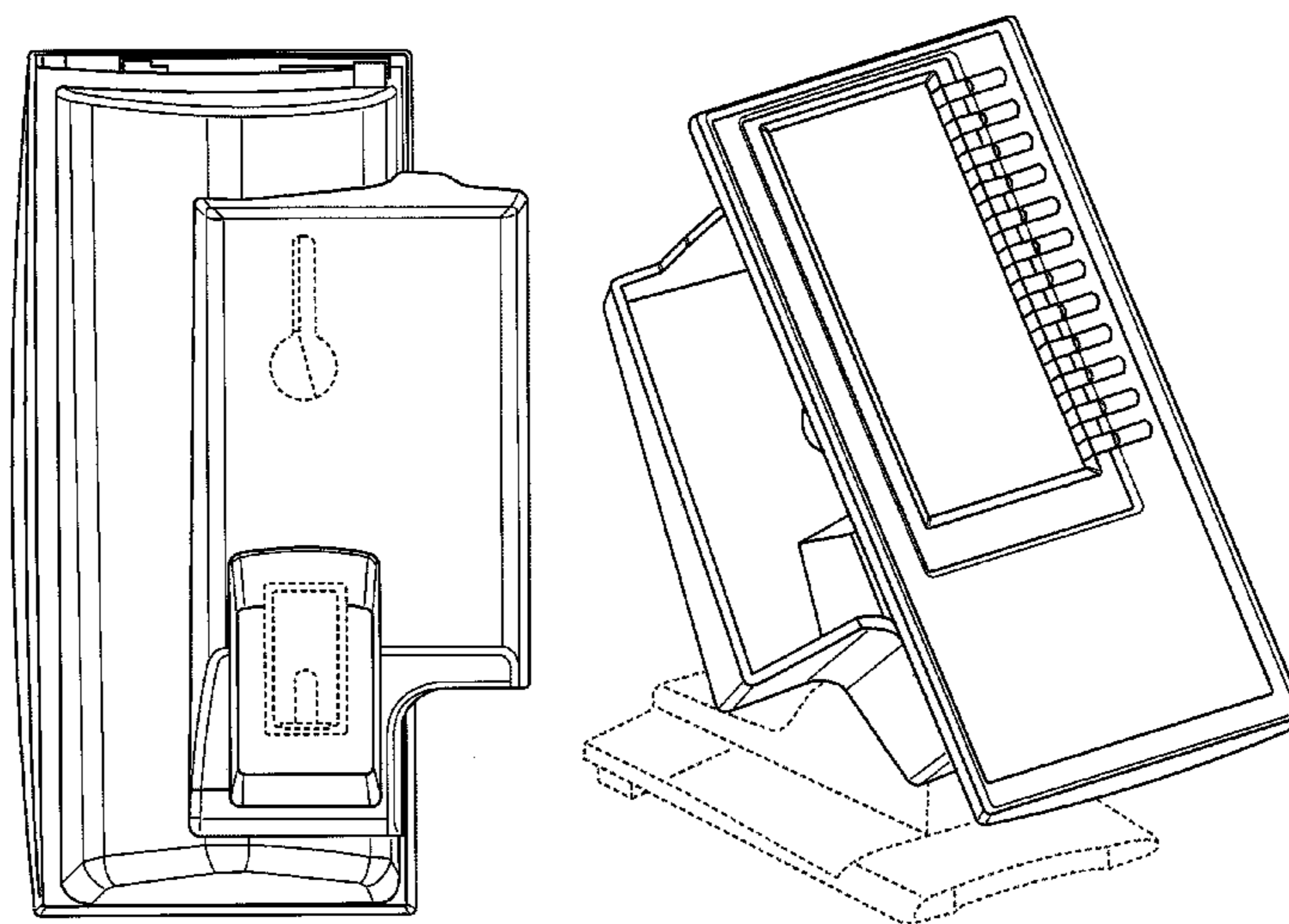
FIG. 2 is a front view of the key extension module of FIG. 1; FIG. 3 is a right side view of the key extension module of FIG. 1;

FIG. 4 is a rear view of the key extension module of FIG. 1; and,

FIG. 5 is a top, front and left side perspective view of the key extension module of FIG. 1.

The broken lines showing portions of the key extension module for telephone are included for the purpose of illustrating environmental structure and form no part of the claimed design.

1 Claim, 3 Drawing Sheets



US D634,295 S

Page 2

U.S. PATENT DOCUMENTS

D417,222 S * 11/1999 Johnson et al. D14/140.9
6,038,314 A 3/2000 Dynie et al.
D427,985 S 7/2000 Takayama et al.
D428,000 S 7/2000 Takayama et al.
6,104,807 A 8/2000 Johnson et al.
D433,991 S 11/2000 Buchin et al.
D439,231 S 3/2001 Song
D451,486 S 12/2001 Sekiguchi
D459,332 S 6/2002 Peiker
6,438,229 B1 8/2002 Overy et al.
D463,390 S 9/2002 Shen et al.
6,445,793 B1 9/2002 Vassallo et al.
D468,685 S 1/2003 Jacobs et al.
D472,236 S 3/2003 Schramm et al.
D482,342 S 11/2003 Weidinger
D482,679 S 11/2003 Hillenmayer
D487,435 S 3/2004 Huang et al.
D490,394 S 5/2004 Taniguchi et al.
D499,078 S 11/2004 Abe et al.
D512,705 S 12/2005 Bhavnani
D530,303 S 10/2006 Tang
D530,701 S 10/2006 West et al.
7,130,421 B2 10/2006 Xue
D537,065 S 2/2007 Chen
7,216,401 B2 5/2007 Bae
D556,181 S 11/2007 Liu
D556,191 S 11/2007 Griffin
D558,181 S 12/2007 Takada et al.
D563,400 S 3/2008 Arnholt et al.
D573,974 S 7/2008 Liu

D574,816 S 8/2008 Tang
D577,706 S 9/2008 Andrews et al.
D583,353 S * 12/2008 Brown et al. D14/140.8
D591,276 S * 4/2009 Takada D14/240
D609,686 S * 2/2010 Robinson et al. D14/149
2003/0012367 A1 1/2003 Seo
2003/0193478 A1 10/2003 Ng et al.
2004/0234071 A1 11/2004 Bae et al.
2005/0069126 A1 3/2005 Xue

OTHER PUBLICATIONS

“Roberts Communications Services”, 1 page [on line], retrieved on Mar. 5, 2010. Retrieved from Internet, <URL: <http://www.google.com>>.*
“IP Phone 1140 E”, 1 p including photo [online], URL:<http://products.nortel.com/go/product13>.
“Nortel IP 1140E Telephone”, 4 pages [on line], [retrieved on Jan. 22, 2009]. Retrieved from Internet, URL:<http://www.google.com>.
“IP Phone 1140E with Expansion Module”, 4 pages [on line], [retrieved on Jan. 22, 2009]. Retrieved from Internet, URL: <http://www.google.com>.
“Expansion Module for IP Phone 2000 Series”, 4 pages [on line], [retrieved on Jan. 22, 2009]. Retrieved from Internet, URL: <http://www.nortel.com/>.
“Nortel T7316 Phone-NT8B27”, 3 pages [on line], [retrieved on Jan. 22, 2009]. Retrieved from Internet, <URL: <http://www.google.com>>.

* cited by examiner

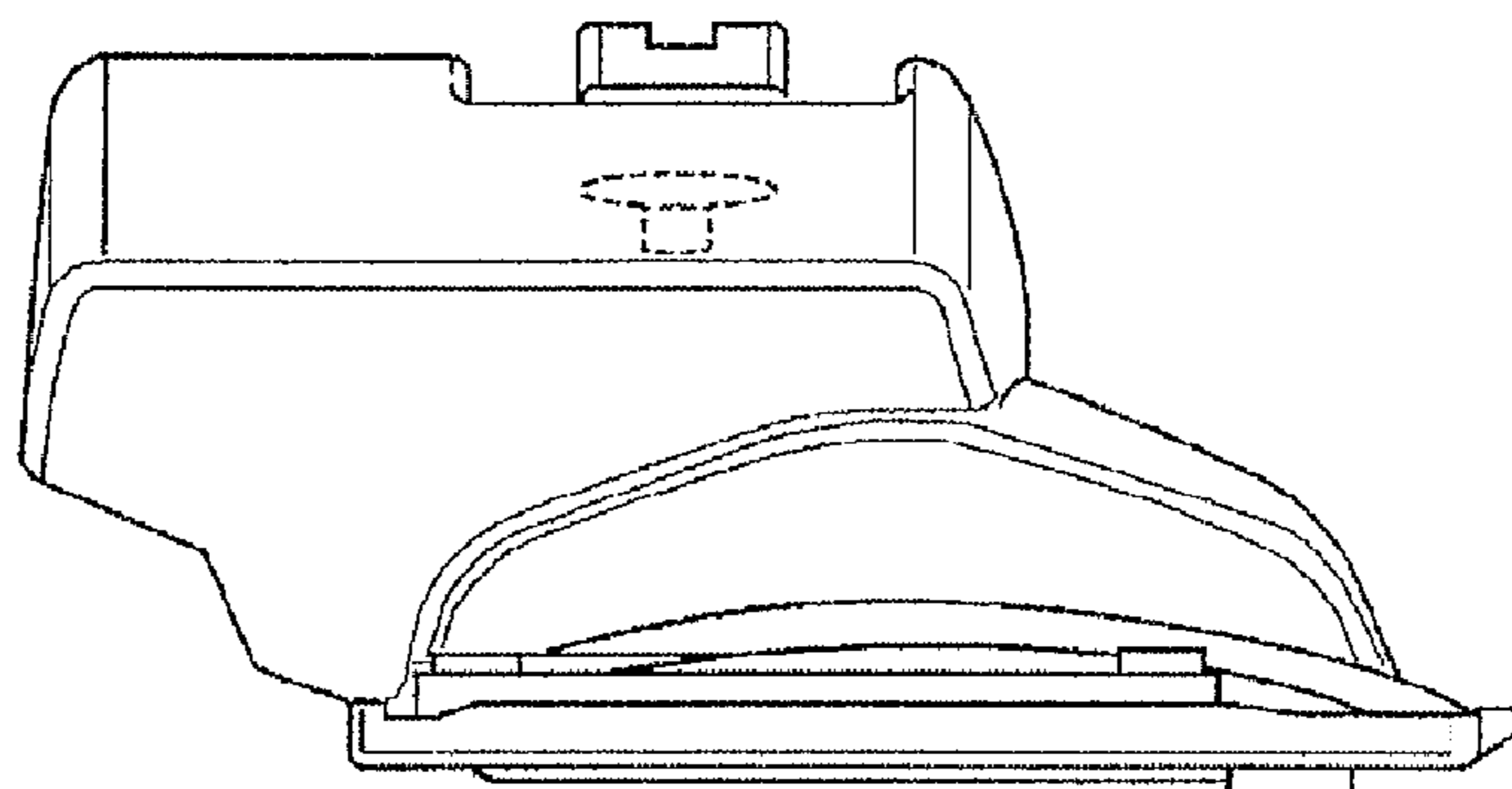


FIG. 1

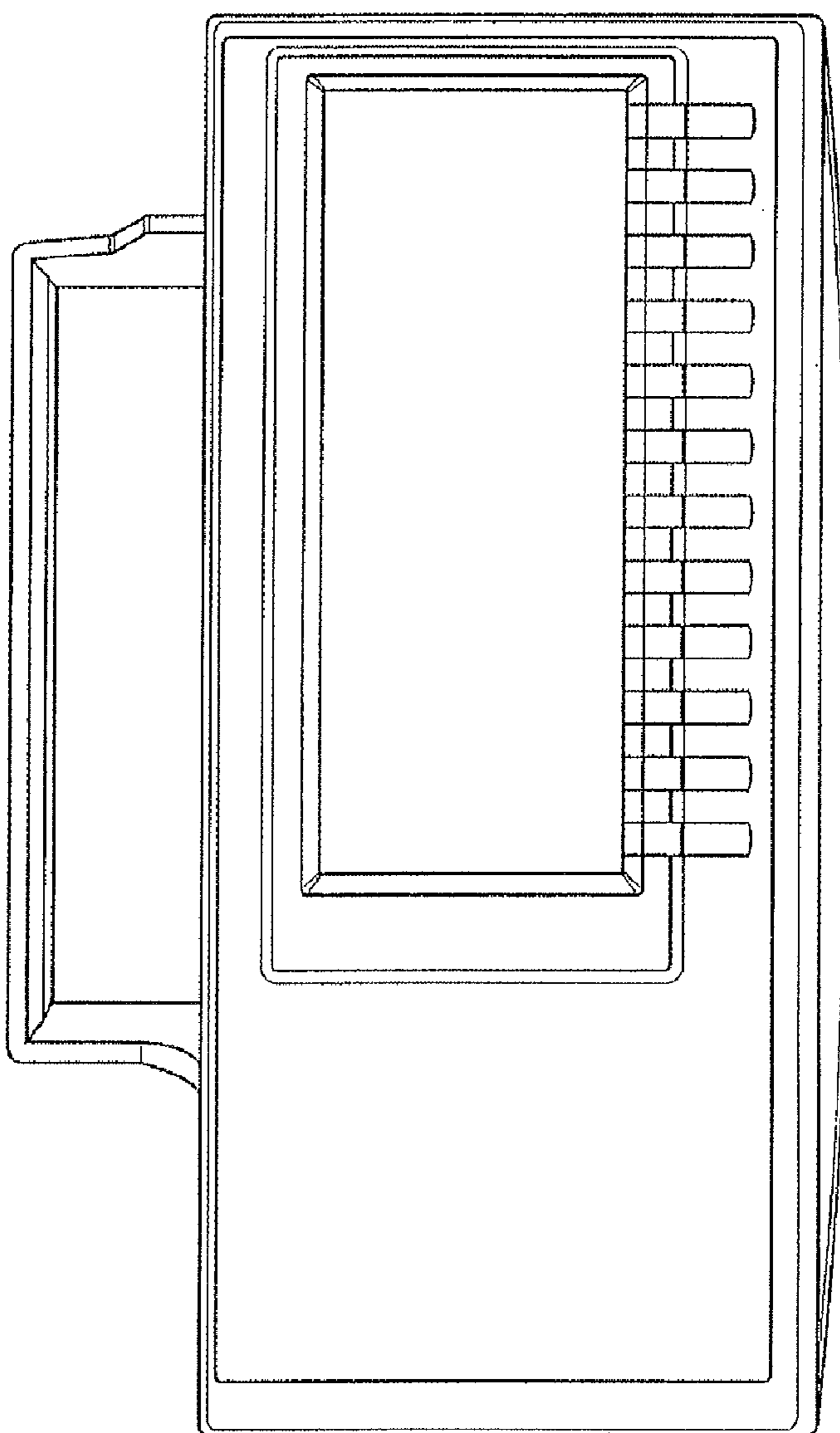


FIG. 2

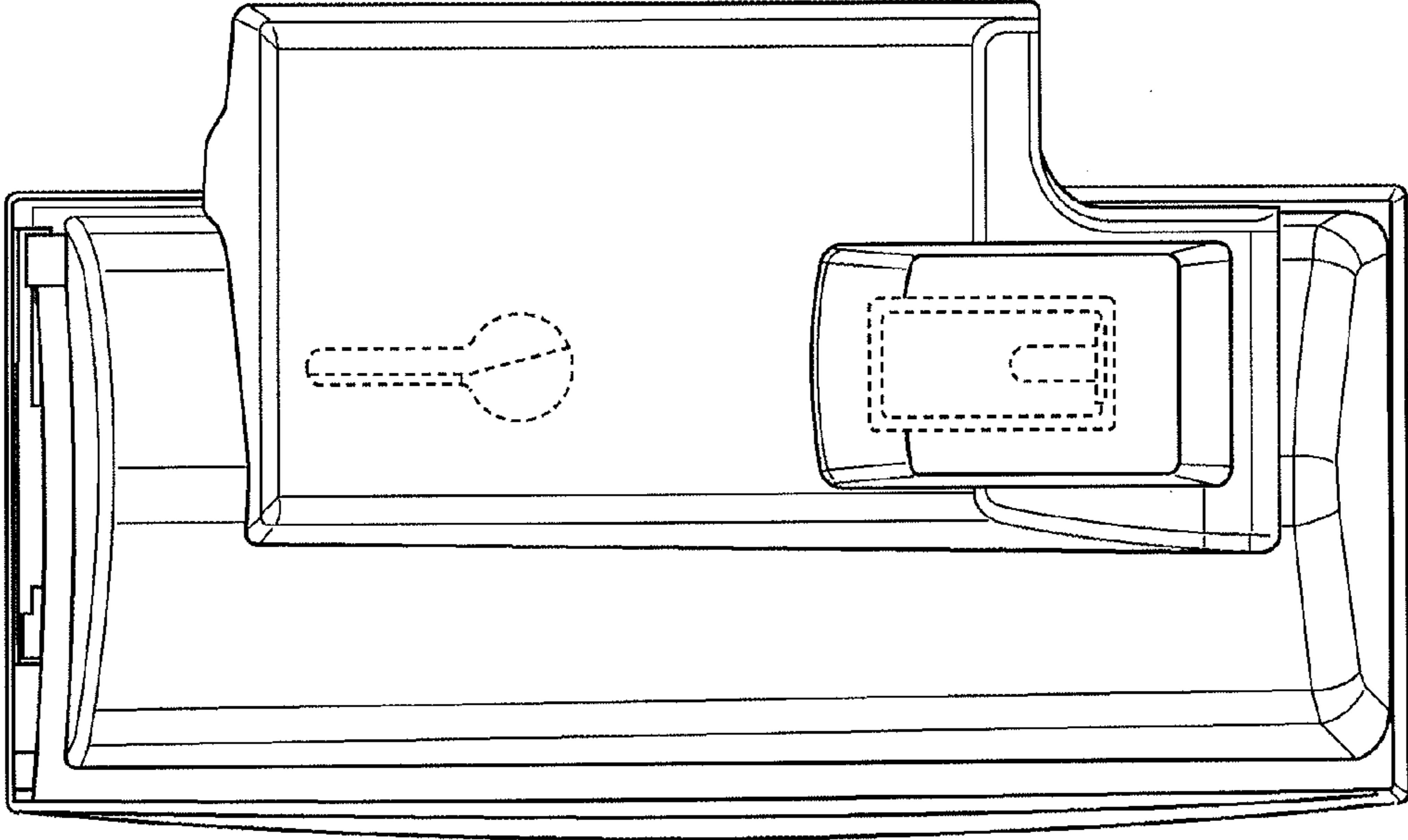


FIG. 4

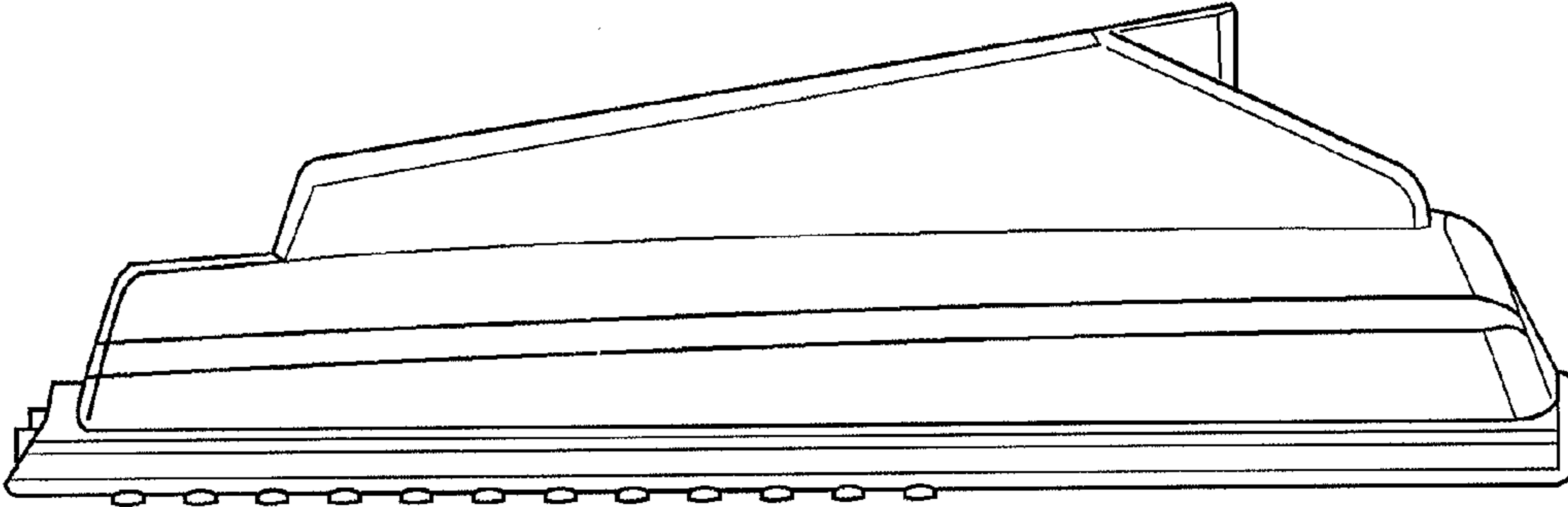


FIG. 3

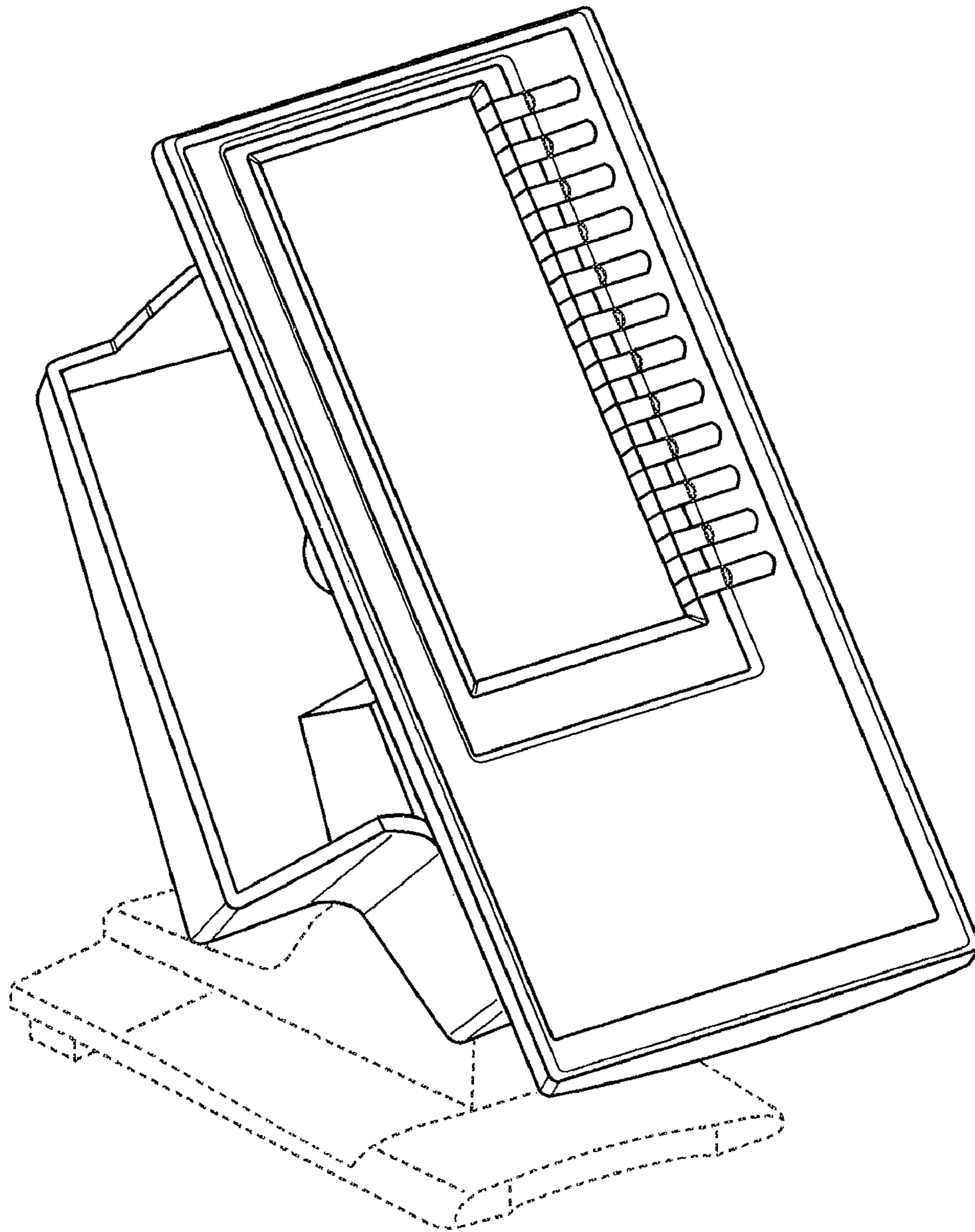


FIG. 5