



US00D634294S

(12) **United States Design Patent**
Dhondt

(10) **Patent No.:** **US D634,294 S**
(45) **Date of Patent:** **** Mar. 15, 2011**

(54) **HANDSET**

(75) Inventor: **Daniel Anton Ruud Dhondt**, Espoo (FI)

(73) Assignee: **Nokia Corporation**, Espoo (FI)

(**) Term: **14 Years**

(21) Appl. No.: **29/365,519**

(22) Filed: **Jul. 9, 2010**

(51) **LOC (9) Cl.** **14-03**

(52) **U.S. Cl.** **D14/138 AD; D14/138 G**

(58) **Field of Classification Search** D14/138 R,
D14/138 AD, 138 AC, 138 C, 138 G, 191,
D14/203.1–203.8, 496, 138 AA, 138 AB,
D14/137, 147, 218, 341–347, 247–248; D10/65,
D10/78, 104; D13/168; D18/7; 455/566,
455/575.1, 575.3, 575.4

See application file for complete search history.

(56) **References Cited**

U.S. PATENT DOCUMENTS

D423,468 S *	4/2000	Jenkins	D14/342
D505,676 S *	5/2005	Porter et al.	D14/388
D555,137 S *	11/2007	Kim et al.	D14/138 AD
D562,795 S *	2/2008	Nara	D14/138 AD
D563,368 S *	3/2008	Moon	D14/138 AD
D585,411 S	1/2009	Eaton		
D590,825 S *	4/2009	Liu	D14/341
D592,212 S *	5/2009	Hamada et al.	D14/346
D593,058 S	5/2009	Harju		
D593,059 S *	5/2009	Kim et al.	D14/138 G
D599,338 S	9/2009	Eguchi		
D602,463 S	10/2009	Eguchi		
D602,901 S	10/2009	Eguchi et al.		
D604,285 S *	11/2009	Madsen et al.	D14/248
D606,507 S *	12/2009	Kim et al.	D14/138 G
D608,327 S *	1/2010	Cigliano et al.	D14/138 AD
D611,030 S *	3/2010	Hirano	D14/138 G

OTHER PUBLICATIONS

LG GC900 Viewty Smart, announced Apr. 2009, [online], [retrieved on Apr. 16, 2009]. Retrieved from Internet ,<URL: http://www.gsmarena.com>.*

(Continued)

Primary Examiner—Bridget L Eland

(74) *Attorney, Agent, or Firm*—Banner & Witcoff, Ltd

(57) **CLAIM**

The ornamental design for a handset, as shown and described.

DESCRIPTION

FIG. 1 is a perspective front view of a handset showing my new design;

FIG. 2 is a front view thereof;

FIG. 3 is a rear view thereof;

FIG. 4 is a left side view thereof;

FIG. 5 is a right side view thereof;

FIG. 6 is a top view thereof;

FIG. 7 is a bottom view thereof;

FIG. 8 is a perspective front view of a handset showing my new design;

FIG. 9 is a front view thereof;

FIG. 10 is a rear view thereof;

FIG. 11 is a left side view thereof;

FIG. 12 is a right side view thereof;

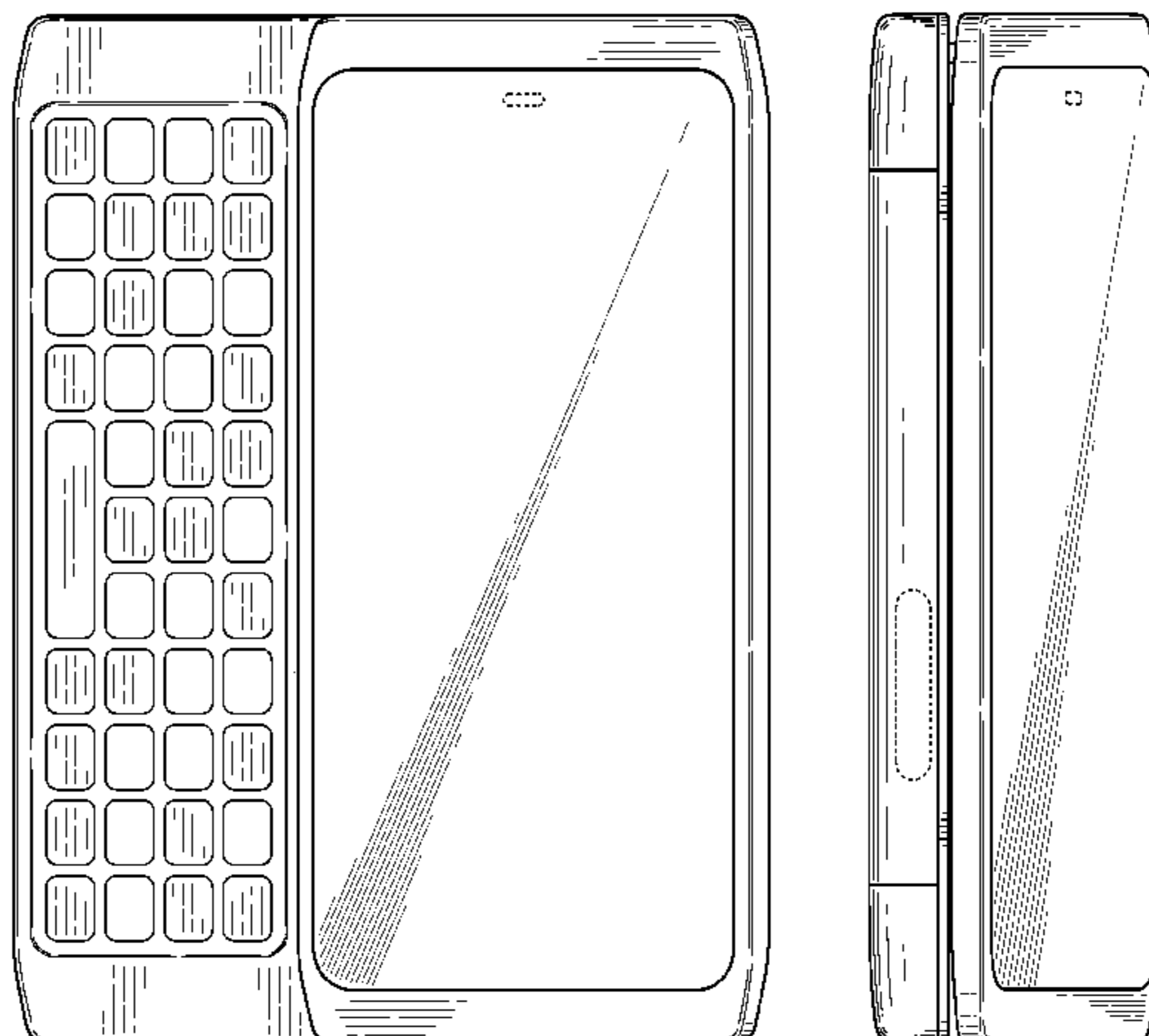
FIG. 13 is a top view thereof; and,

FIG. 14 is a bottom view thereof.

The broken lines in FIGS. 1-7 immediately adjacent the shaded areas represent the bounds of the embodiment in which they are shown while all other broken lines are directed to environment and are for illustrative purposes only; the broken lines form no part of the embodiment in which they are shown.

(Continued)

1 Claim, 10 Drawing Sheets



U.S. PATENT DOCUMENTS

D611,041 S 3/2010 Eguchi et al.
D611,924 S * 3/2010 Ou et al. D14/138 AD
D613,261 S * 4/2010 Cigliano et al. D14/138 AD
D615,946 S * 5/2010 Mun D14/138 G
D618,651 S * 6/2010 Lee et al. D14/138 AD
D620,467 S * 7/2010 Aarras D14/138 G
D622,250 S * 8/2010 Kwon et al. D14/138 G
D626,526 S * 11/2010 Lee et al. D14/138 AD
2005/0043063 A1* 2/2005 Dinn 455/566
2006/0205450 A1* 9/2006 Amano et al. 455/575.4
2008/0004085 A1* 1/2008 Jung et al. 455/566
2008/0119236 A1* 5/2008 Chen et al. 455/566

OTHER PUBLICATIONS

Nokia E7, announced Sep. 2010, [online], [retrieved on Sep. 29, 2010]. Retrieved from Internet ,<URL: <http://www.gsmarena.com>>.*

Sony Ericsson Aino, announced May 2009, [online], [retrieved on Jun. 12, 2009]. Retrieved from Internet ,<URL: <http://www.gsmarena.com>>.*

Nokia 5330 XpressMusic, Nokia Corporation, 1 color sheet of photographs, disclosed on or about Mar. 2009.

Nokia 5730 XpressMusic, Nokia Corporation, 1 color sheet of photographs, disclosed on or about Mar. 2009.

Nokia N810 WiMax, Nokia Corporation, 1 color sheet of photographs, disclosed on or about Oct. 2007.

Nokia N97, Nokia Corporation, 1 color sheet of photographs, disclosed on or about Nov. 2008.

Nokia N8, Nokia Corporation, 1 color sheet of photographs, disclosed on or about May 2010.

* cited by examiner

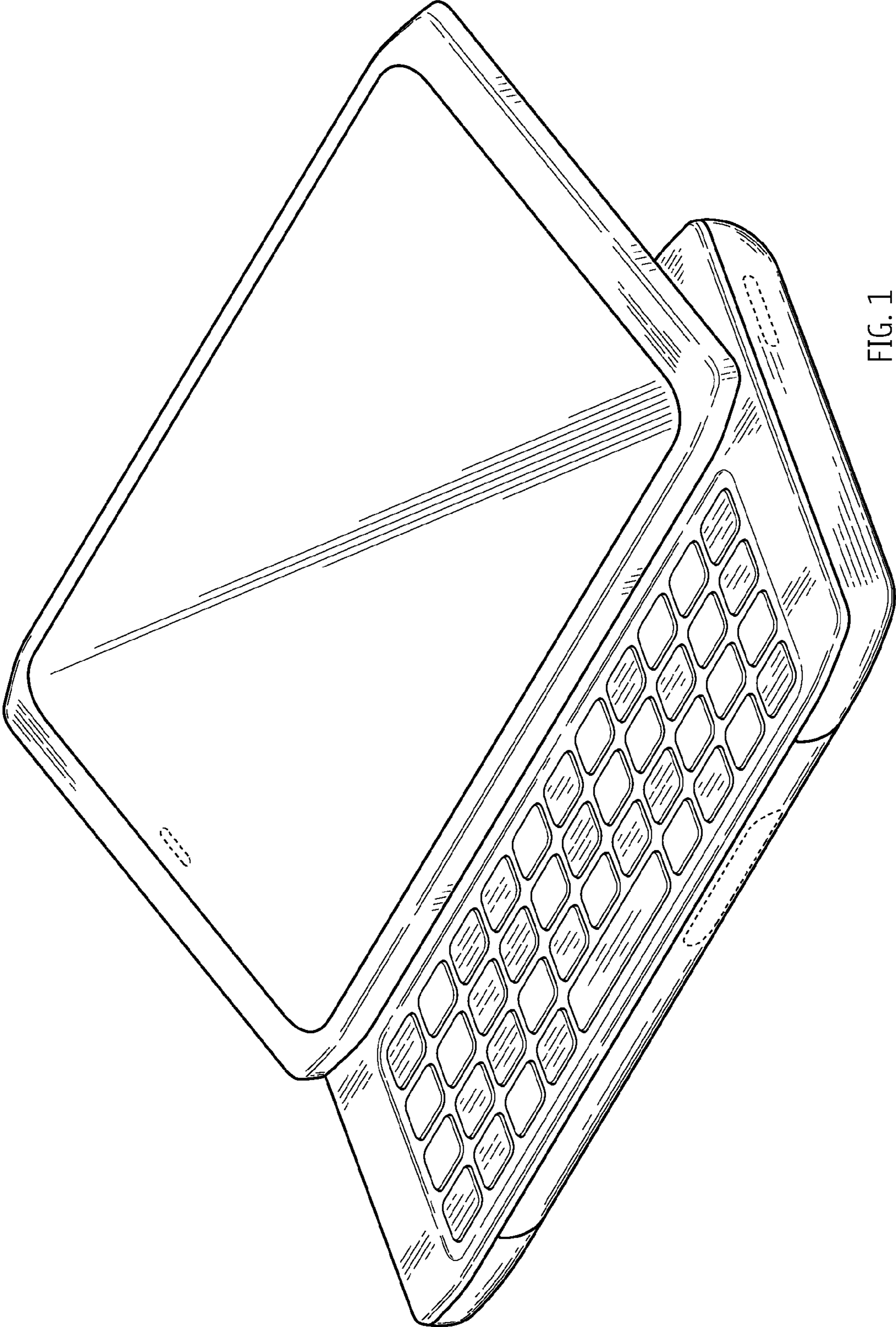


FIG. 1

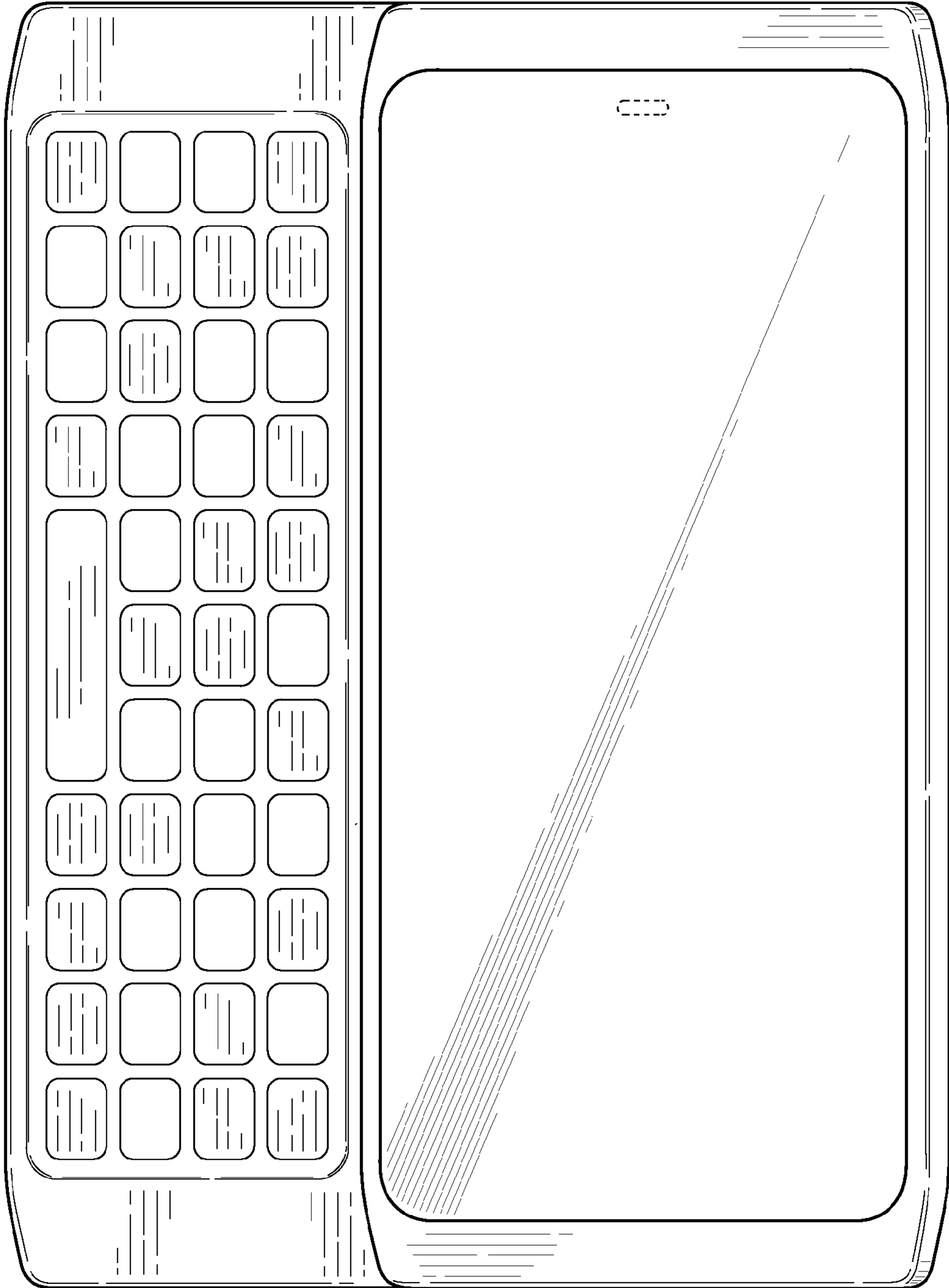


FIG. 2

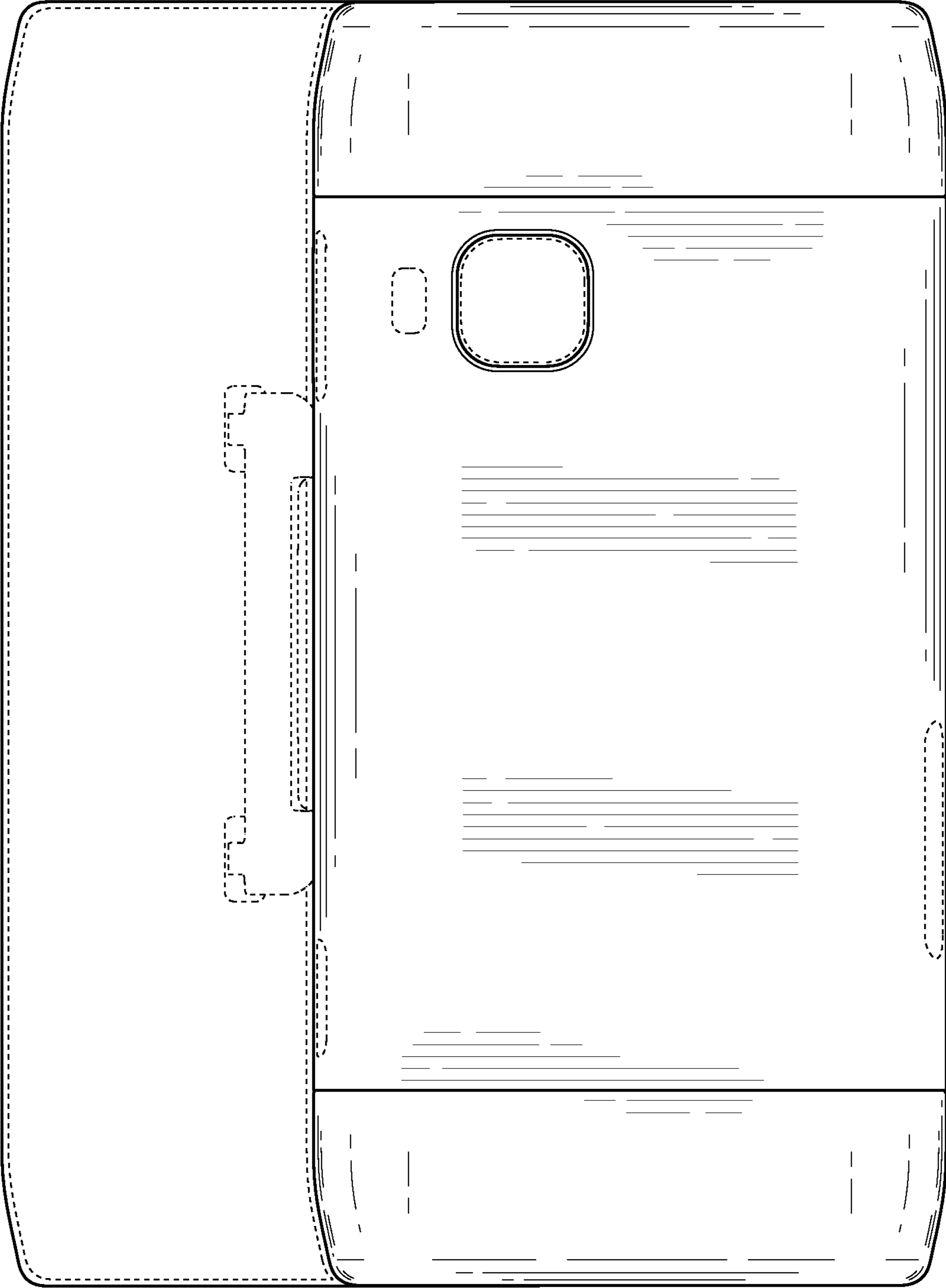


FIG. 3

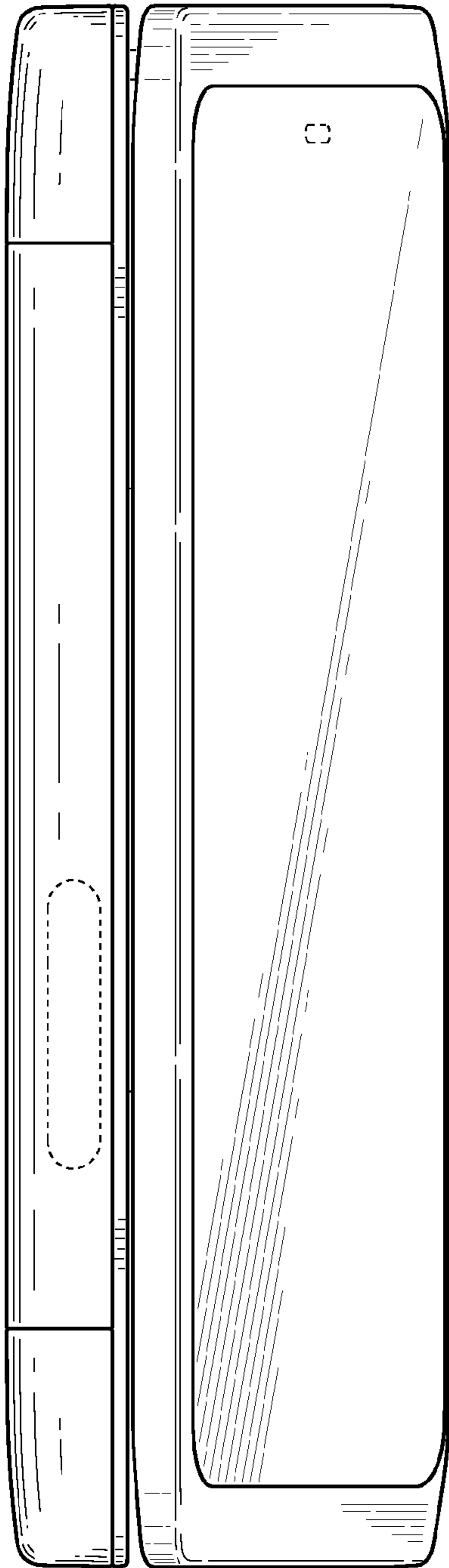


FIG. 4

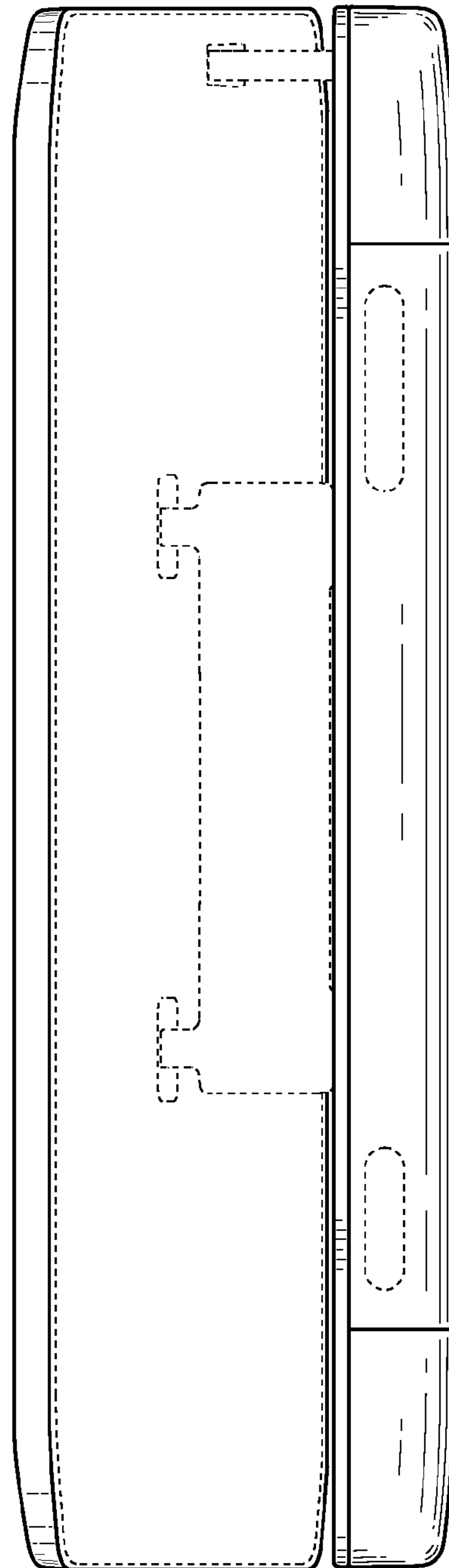


FIG. 5

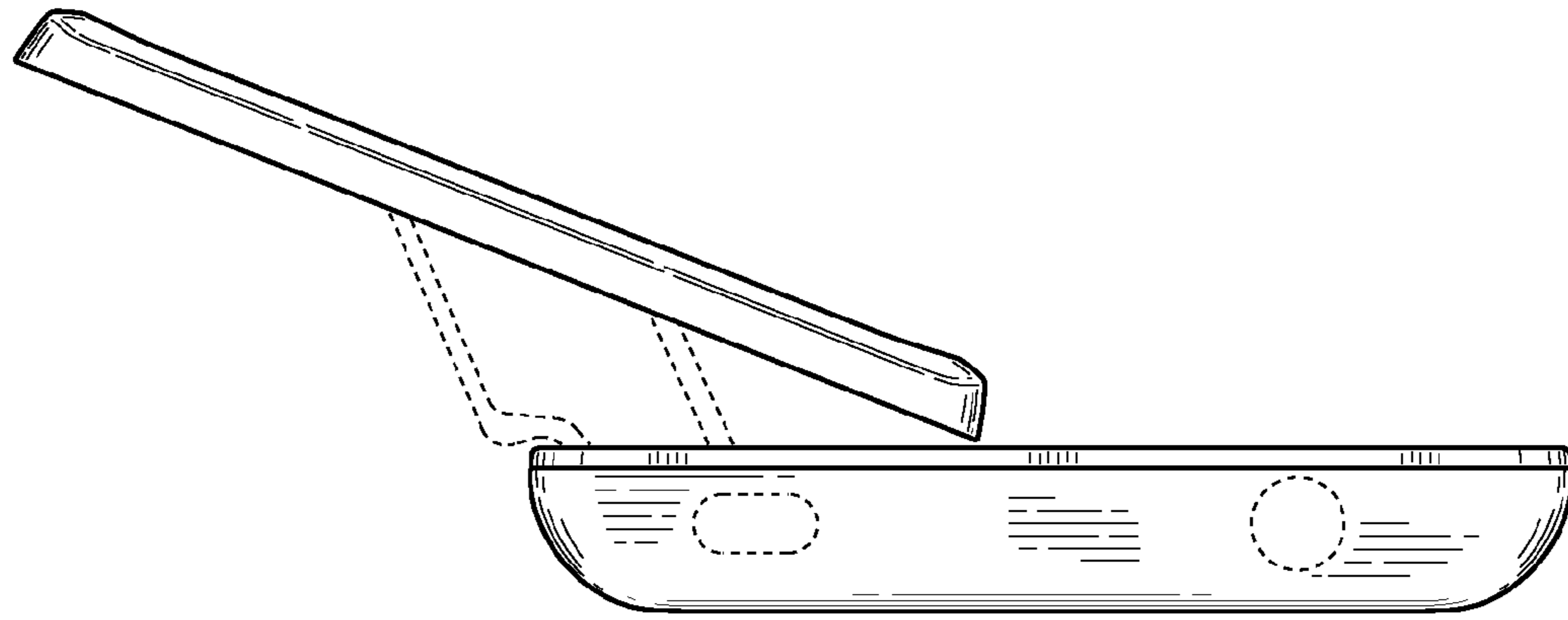


FIG. 6

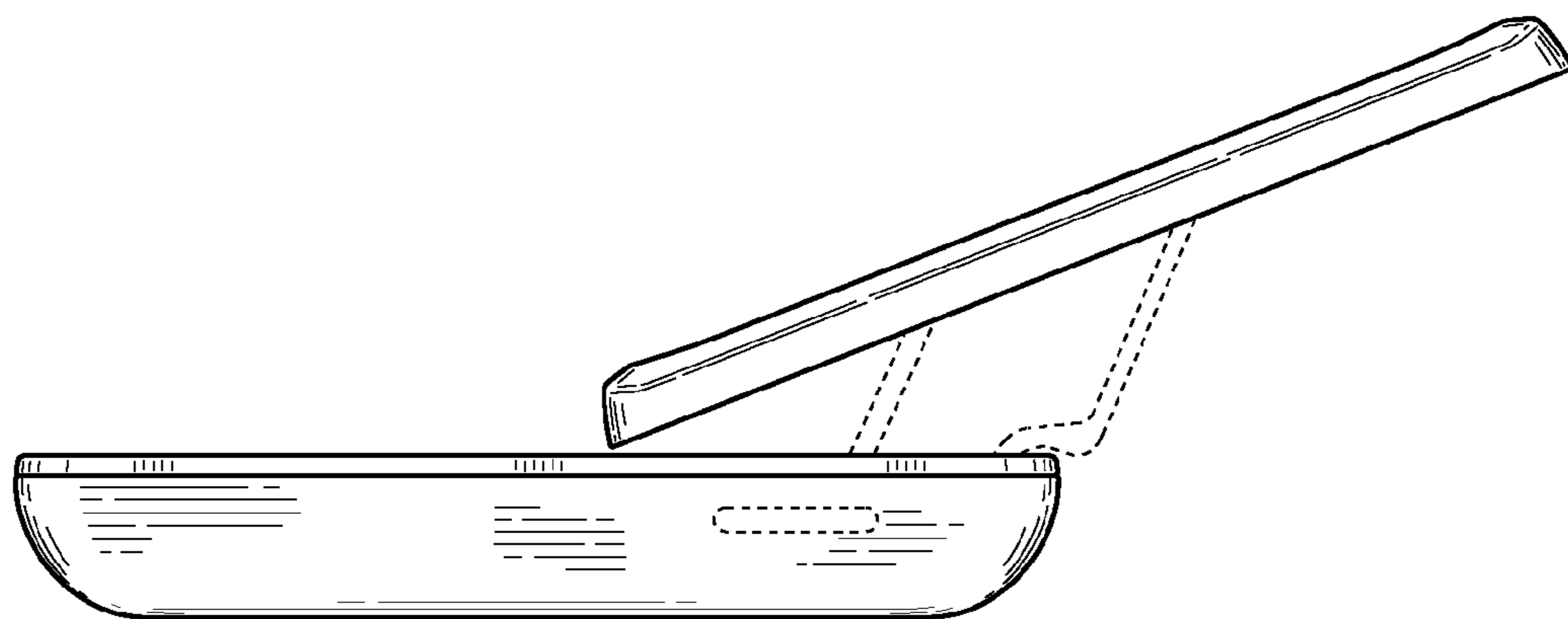


FIG. 7

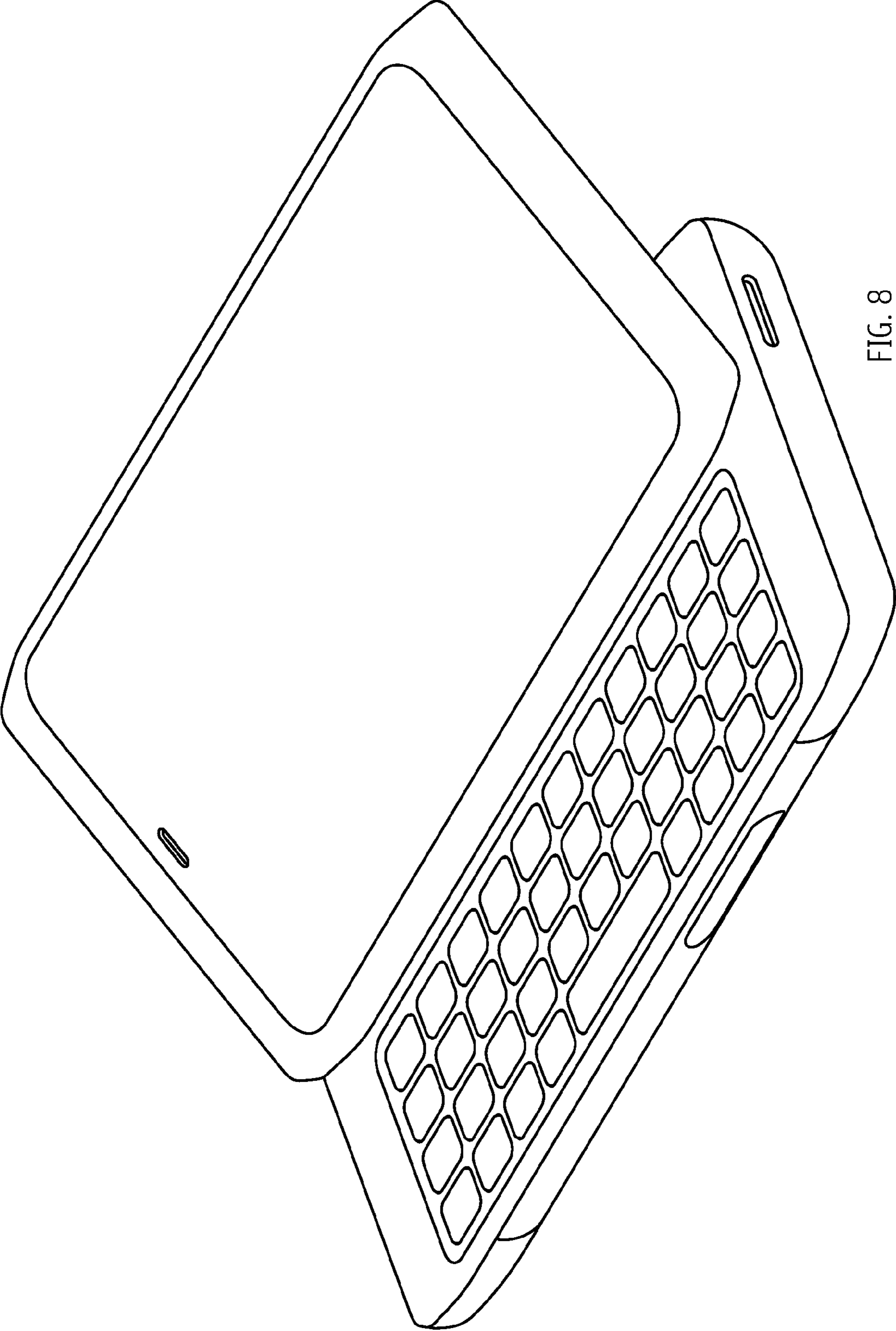


FIG. 8

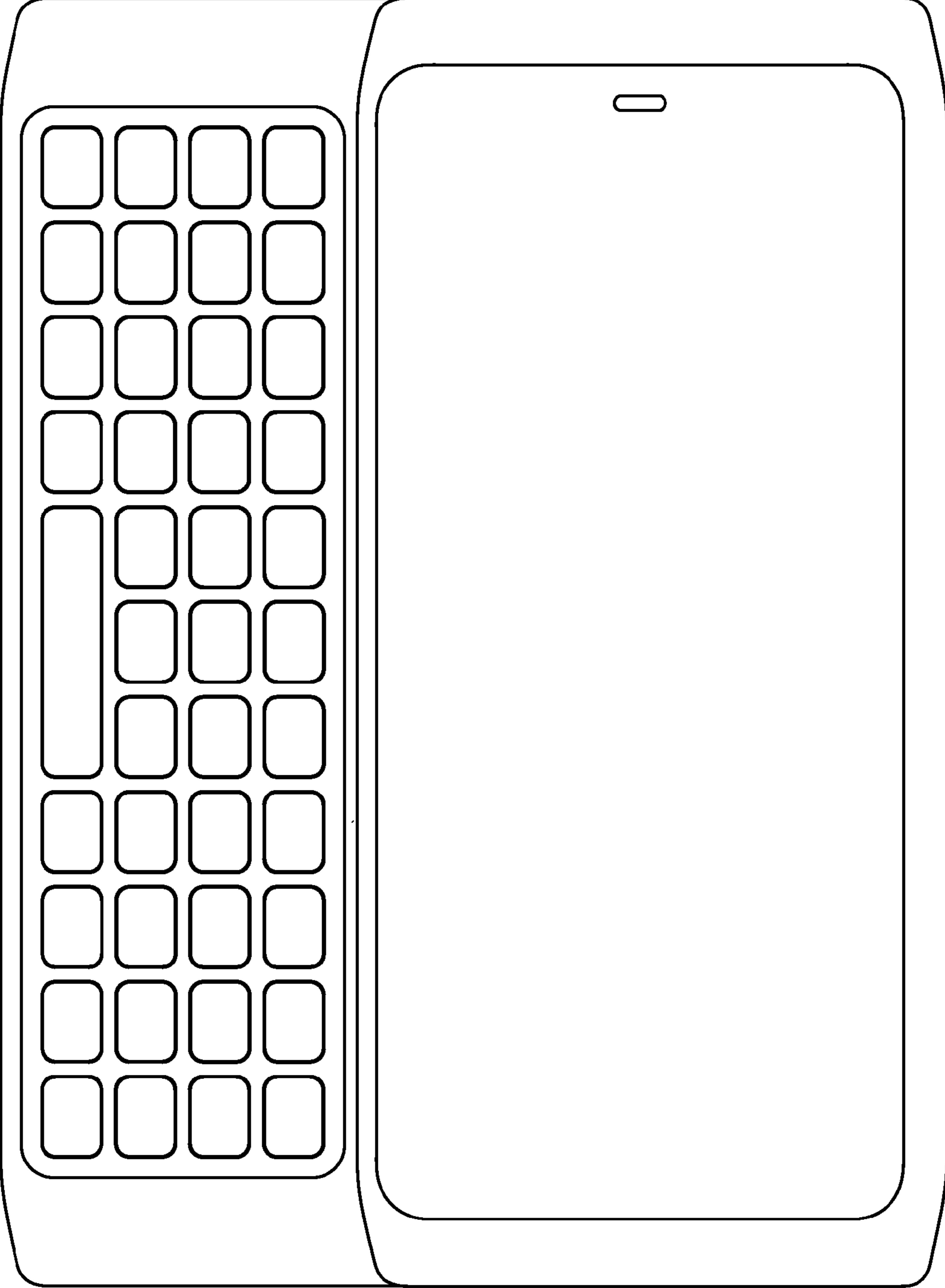


FIG. 9

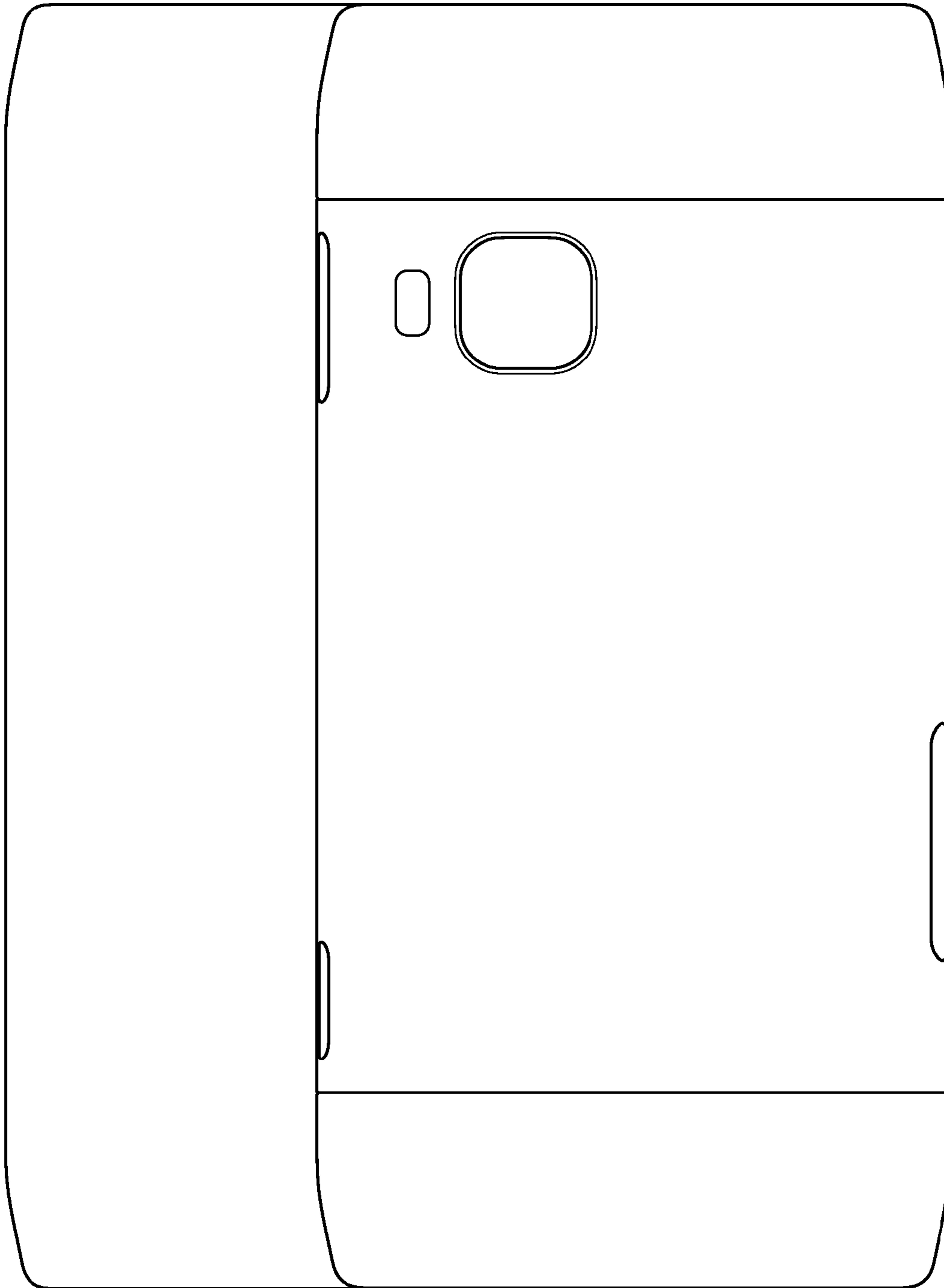


FIG. 10

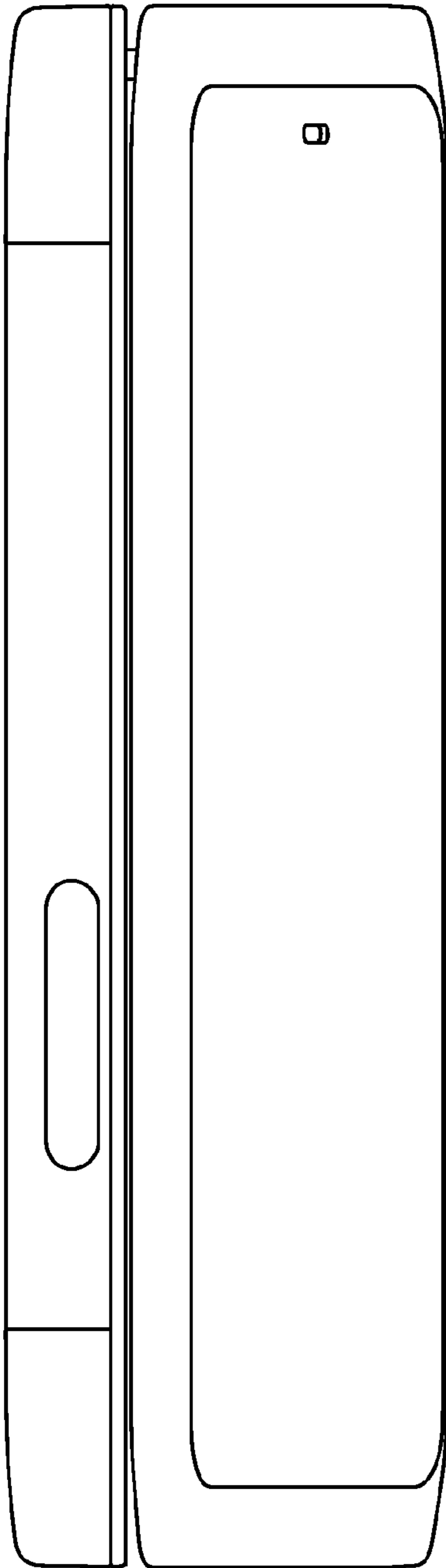


FIG. 11

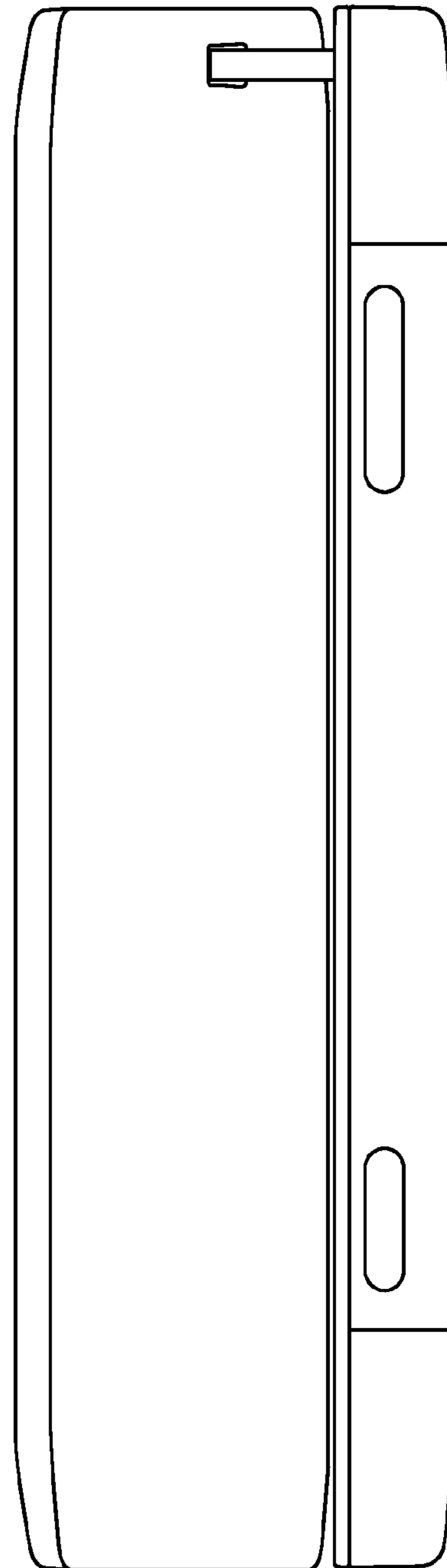


FIG. 12

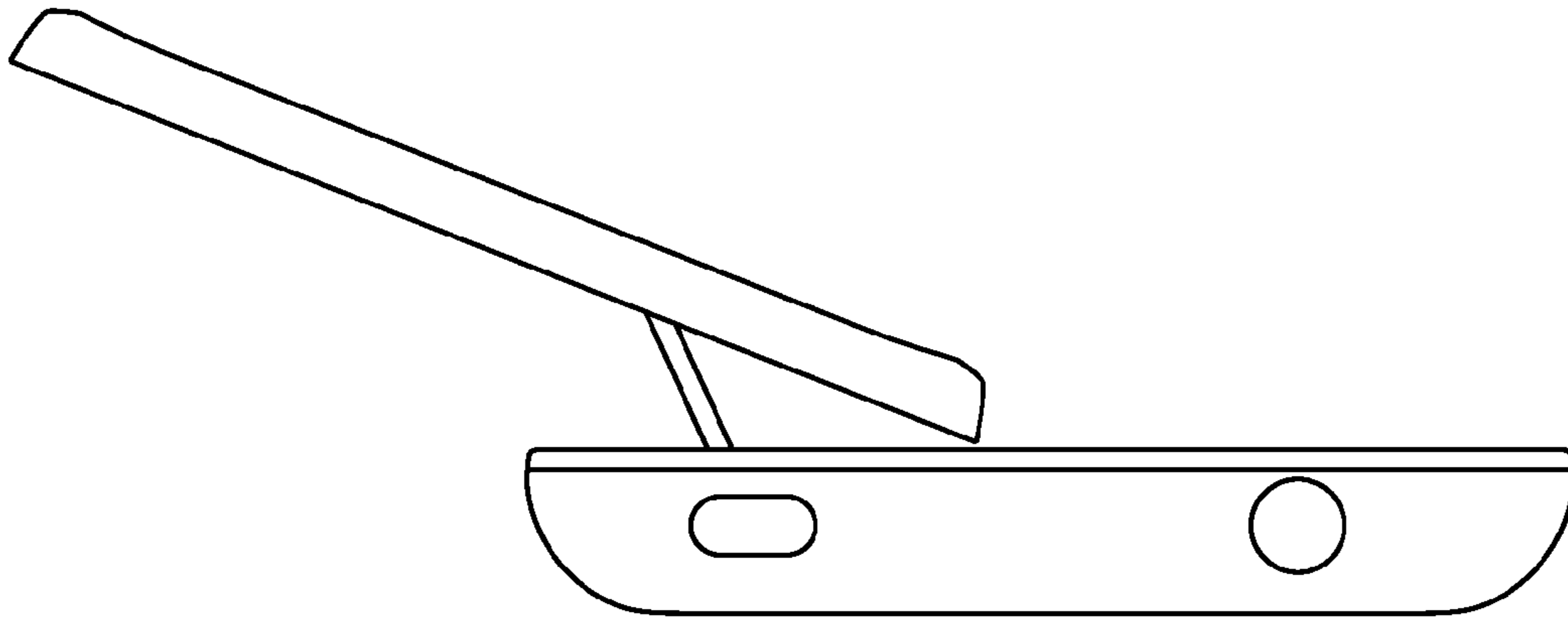


FIG. 13

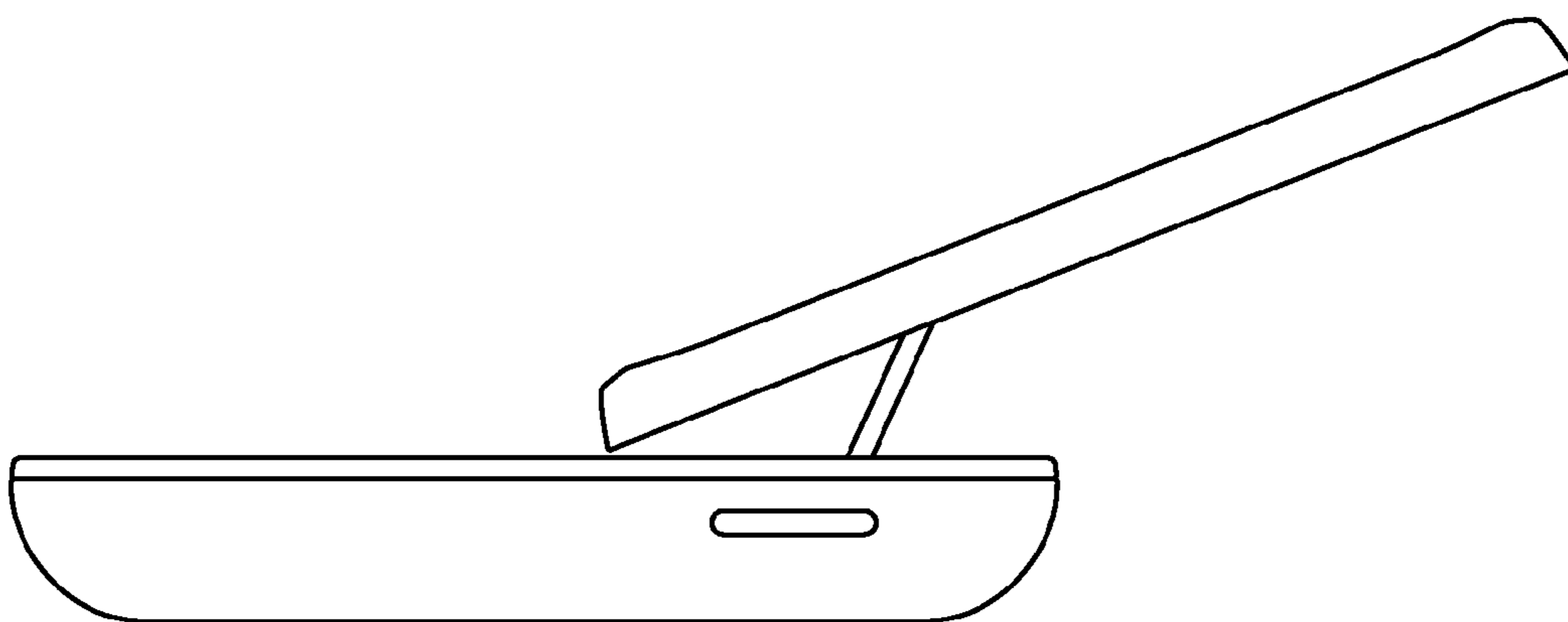


FIG. 14