



US00D634288S

(12) **United States Design Patent**
Sugama

(10) **Patent No.:** **US D634,288 S**
(45) **Date of Patent:** **** Mar. 15, 2011**

(54) **QUARTZ CRYSTAL**

(75) Inventor: **Kazuyoshi Sugama**, Chiba (JP)

(73) Assignee: **Seiko Instruments Inc.**, Chiba (JP)

(**) Term: **14 Years**

(21) Appl. No.: **29/360,967**

(22) Filed: **May 4, 2010**

(30) **Foreign Application Priority Data**

Mar. 29, 2010 (JP) D2010-007711

(51) **LOC (9) Cl.** **13-03**

(52) **U.S. Cl.** **D13/182**

(58) **Field of Classification Search** D13/101,
D13/182; 310/344, 345, 348, 361, 370

See application file for complete search history.

(56) **References Cited**

U.S. PATENT DOCUMENTS

5,596,243	A *	1/1997	Tsuru et al.	310/348
5,889,357	A *	3/1999	Yachi et al.	310/344
6,545,392	B2 *	4/2003	Kawauchi et al.	310/344
7,135,810	B2 *	11/2006	Okajima	310/348
7,279,824	B2 *	10/2007	Tanaya et al.	310/344
2002/0096974	A1 *	7/2002	Moon et al.	310/345
2004/0095044	A1 *	5/2004	Yagishita	310/348
2004/0155561	A1 *	8/2004	Tanaya et al.	310/370
2005/0040737	A1 *	2/2005	Tanaya	310/370
2006/0022557	A1 *	2/2006	Sunaba et al.	310/348
2007/0228892	A1 *	10/2007	Koyama et al.	310/348
2007/0273250	A1 *	11/2007	Naruse	310/348
2008/0231145	A1 *	9/2008	Nagano et al.	310/344
2009/0015106	A1 *	1/2009	Tanaya	310/344
2010/0096955	A1 *	4/2010	Yamada	310/370
2010/0117490	A1 *	5/2010	Takahashi	310/344

OTHER PUBLICATIONS

Sugama, "Quartz Crystal", U.S. Appl. No. 29/361,007, filed May 4, 2010.

Sugama, "Quartz Crystal", U.S. Appl. No. 29/360,959, filed May 4, 2010.

Sugama, "Quartz Crystal", U.S. Appl. No. 29/361,044, filed May 4, 2010.

Sugama, "Quartz Crystal", U.S. Appl. No. 29/361,054, filed May 4, 2010.

Sugama, "Quartz Crystal", U.S. Appl. No. 29/361,049, filed May 4, 2010.

Sugama, Quartz Crystal—U.S. Appl. No. 29/361,041, filed May 4, 2010.

Sugama, Quartz Crystal—U.S. Appl. No. 29/360,962, filed May 4, 2010.

Sugama, Quartz Crystal—U.S. Appl. No. 29/361,020, filed May 4, 2010.

Sugama, Quartz Crystal—U.S. Appl. No. 29/361,021, filed May 4, 2010.

Sugama, Quartz Crystal—U.S. Appl. No. 29/361,050, filed May 4, 2010.

Sugama, Quartz Crystal—U.S. Appl. No. 29/361,055, filed May 4, 2010.

(Continued)

Primary Examiner — Selina Sikder

(74) *Attorney, Agent, or Firm* — Finnegan, Henderson, Farabow, Garrett & Dunner, L.L.P.

(57) **CLAIM**

The ornamental design for quartz crystal, as shown and described.

DESCRIPTION

FIG. 1 is a perspective view of the front, bottom and left side of quartz crystal showing my new design;

FIG. 2 is a front view thereof;

FIG. 3 is a rear view thereof;

FIG. 4 is a top plan view thereof;

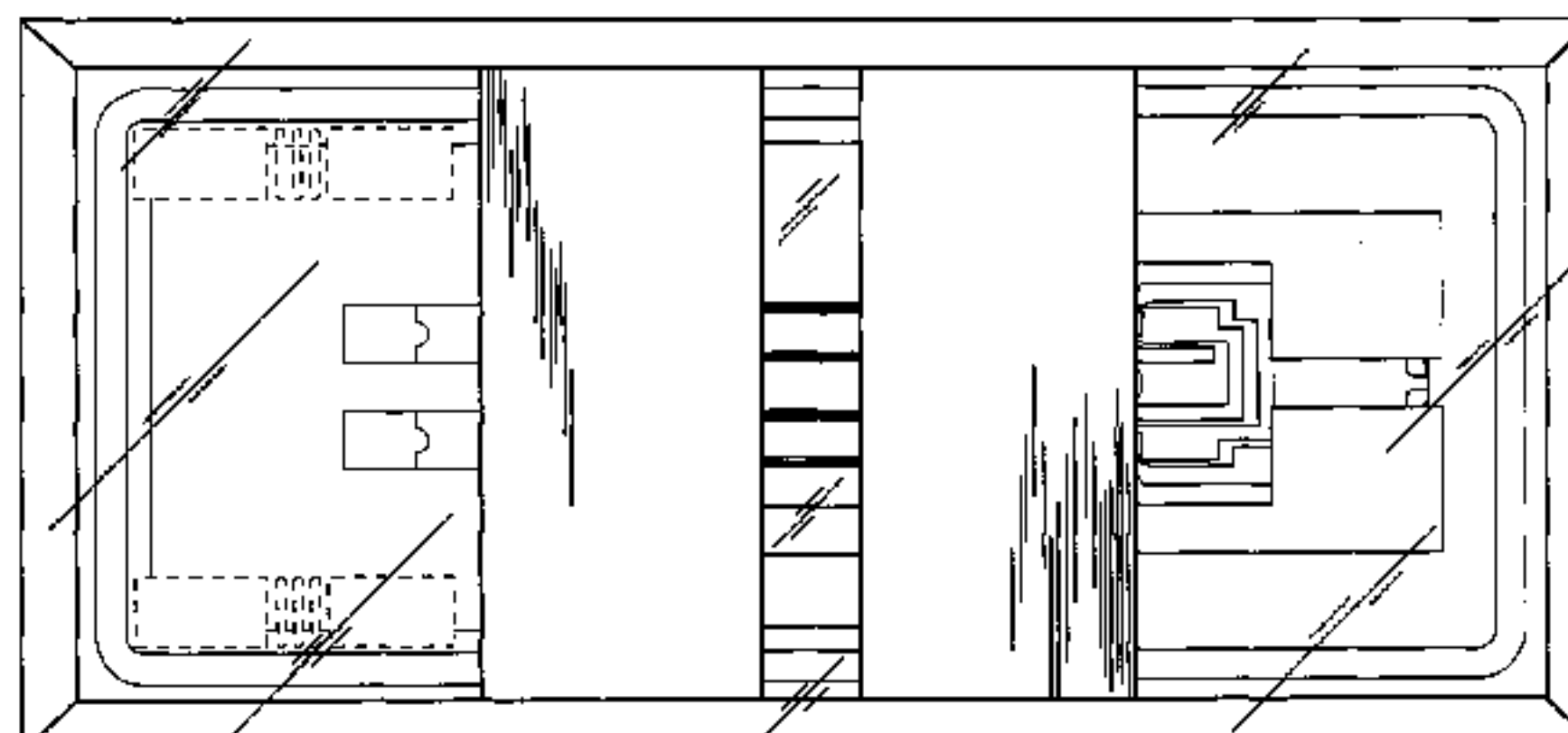
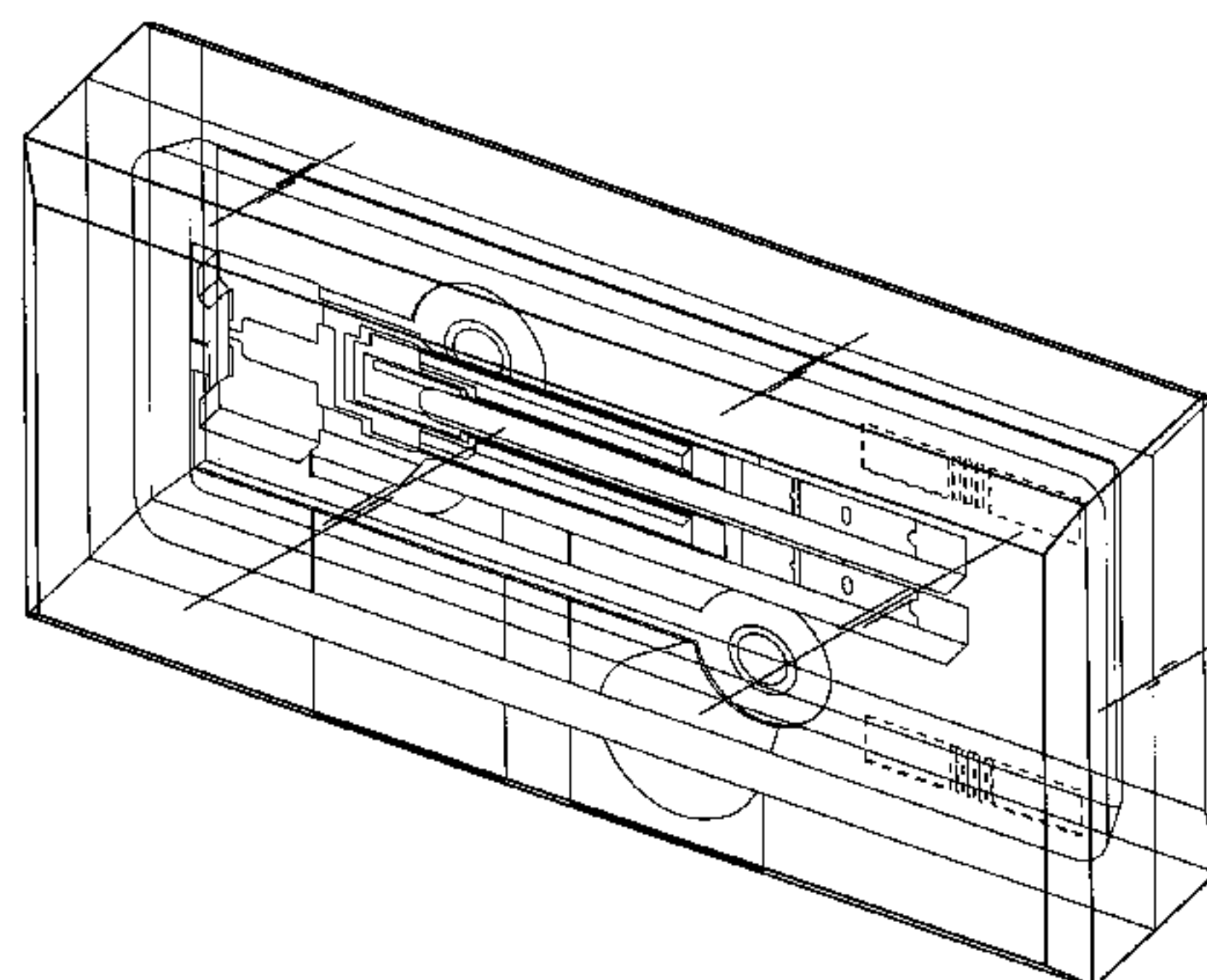
FIG. 5 is a bottom view thereof;

FIG. 6 is a left side view thereof; and,

FIG. 7 is a right side view thereof.

The elements shown in broken lines are for illustrative purposes only and form no part of the claimed design.

1 Claim, 5 Drawing Sheets



OTHER PUBLICATIONS

Sugama, Quartz Crystal—U.S. Appl. No. 29/368,177, filed Aug. 19, 2010.
Sugama, Quartz Crystal—U.S. Appl. No. 29/368,182, filed Aug. 19, 2010.
Sugama, Quartz Crystal—U.S. Appl. No. 29/368,163, filed Aug. 19, 2010.
Sugama, Quartz Crystal—U.S. Appl. No. 29/368,164, filed Aug. 19, 2010.
Sugama, Quartz Crystal—U.S. Appl. No. 29/347,955, filed Aug. 19, 2010.
Sugama, Quartz Crystal—U.S. Appl. No. 29/347,956, filed Aug. 19, 2010.

Sugama, Quartz Crystal—U.S. Appl. No. 29/347,953, filed Aug. 19, 2010.
Sugama, Quartz Crystal—U.S. Appl. No. 29/347,954, filed Aug. 19, 2010.
Sugama, Quartz Crystal—U.S. Appl. No. 29/347,951, filed Aug. 19, 2010.
Sugama, Quartz Crystal—U.S. Appl. No. 29/347,952, filed Aug. 19, 2010.
Sugama, Quartz Crystal—U.S. Appl. No. 29/368,172, filed Aug. 19, 2010.
Sugama, Quartz Crystal—U.S. Appl. No. 29/368,175, filed Aug. 19, 2010.

* cited by examiner

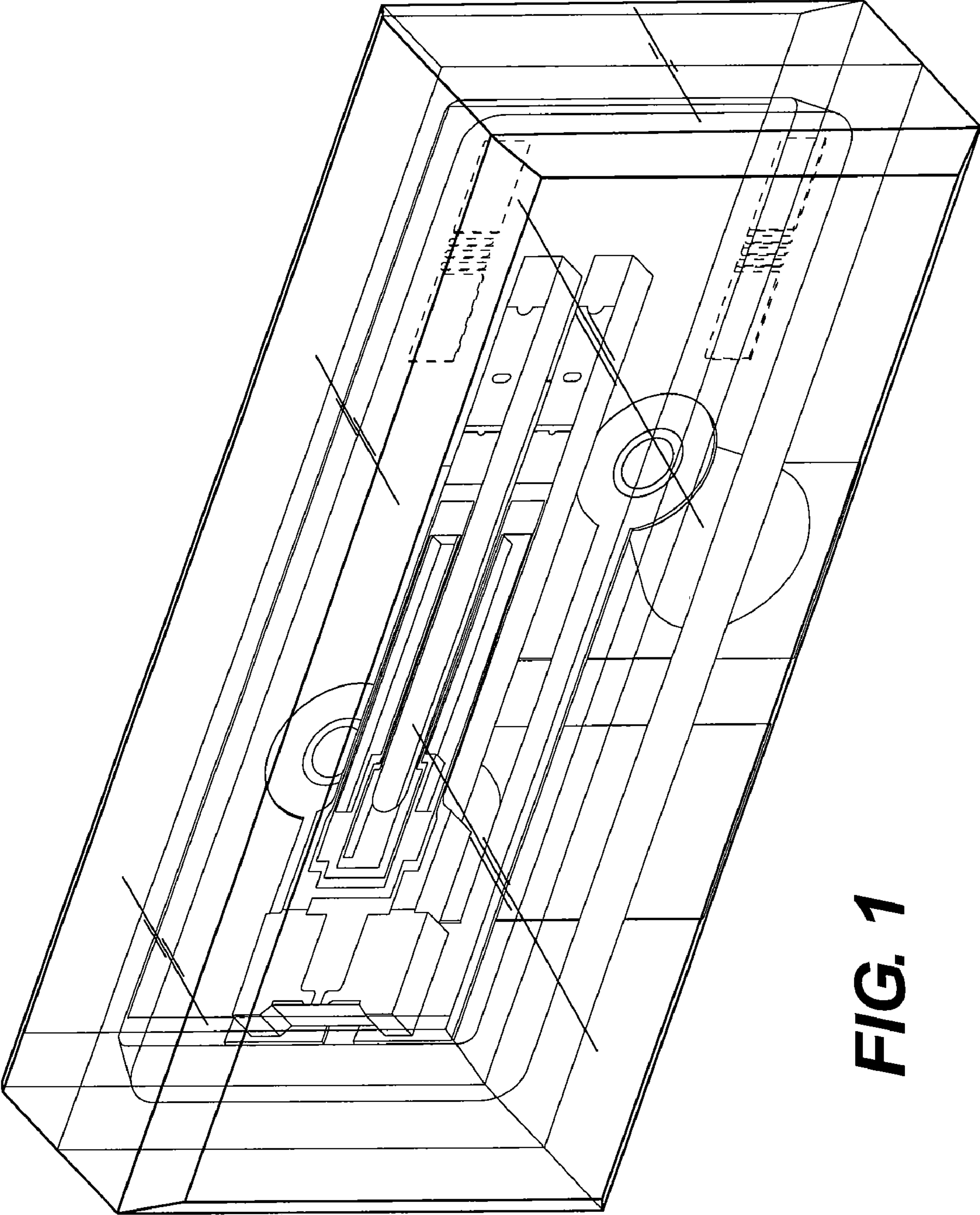


FIG. 1

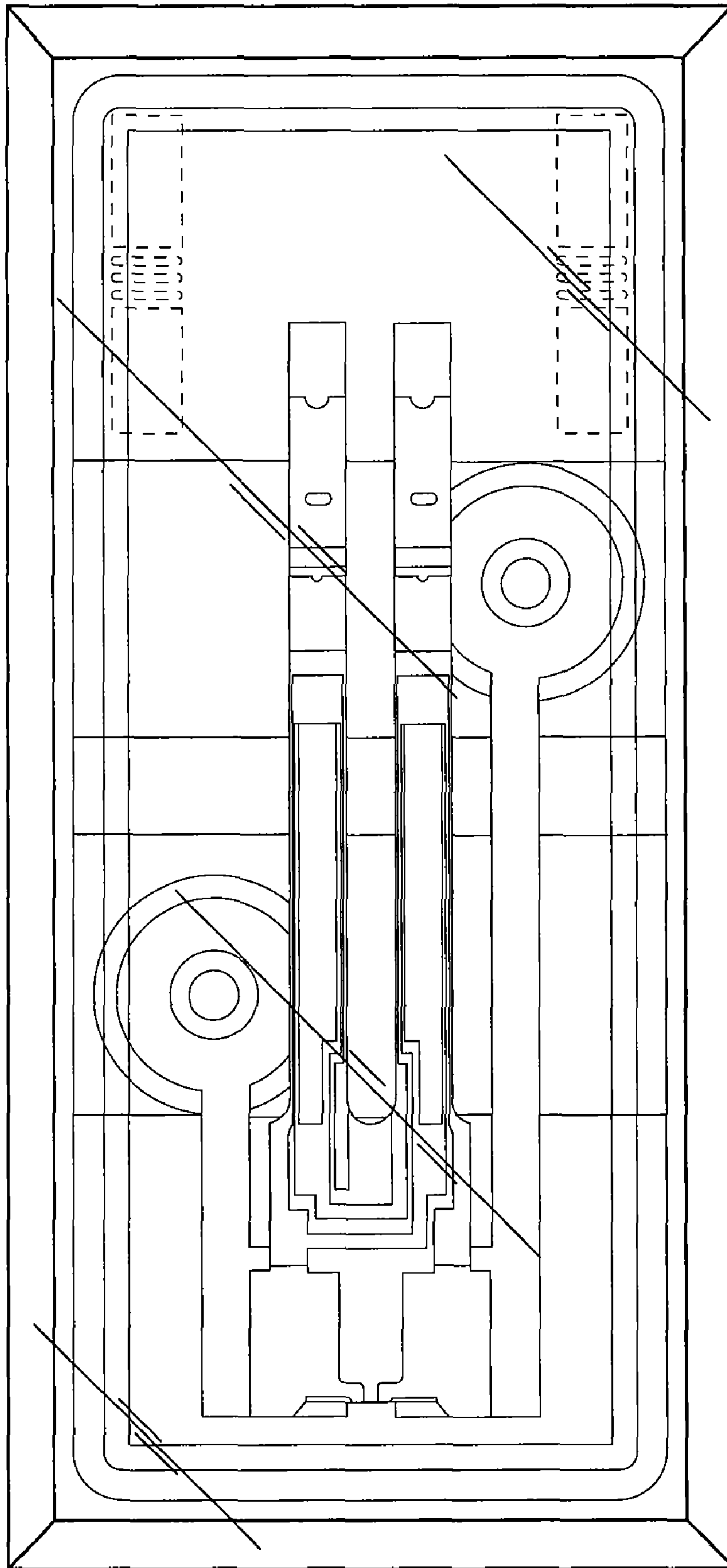


FIG. 2

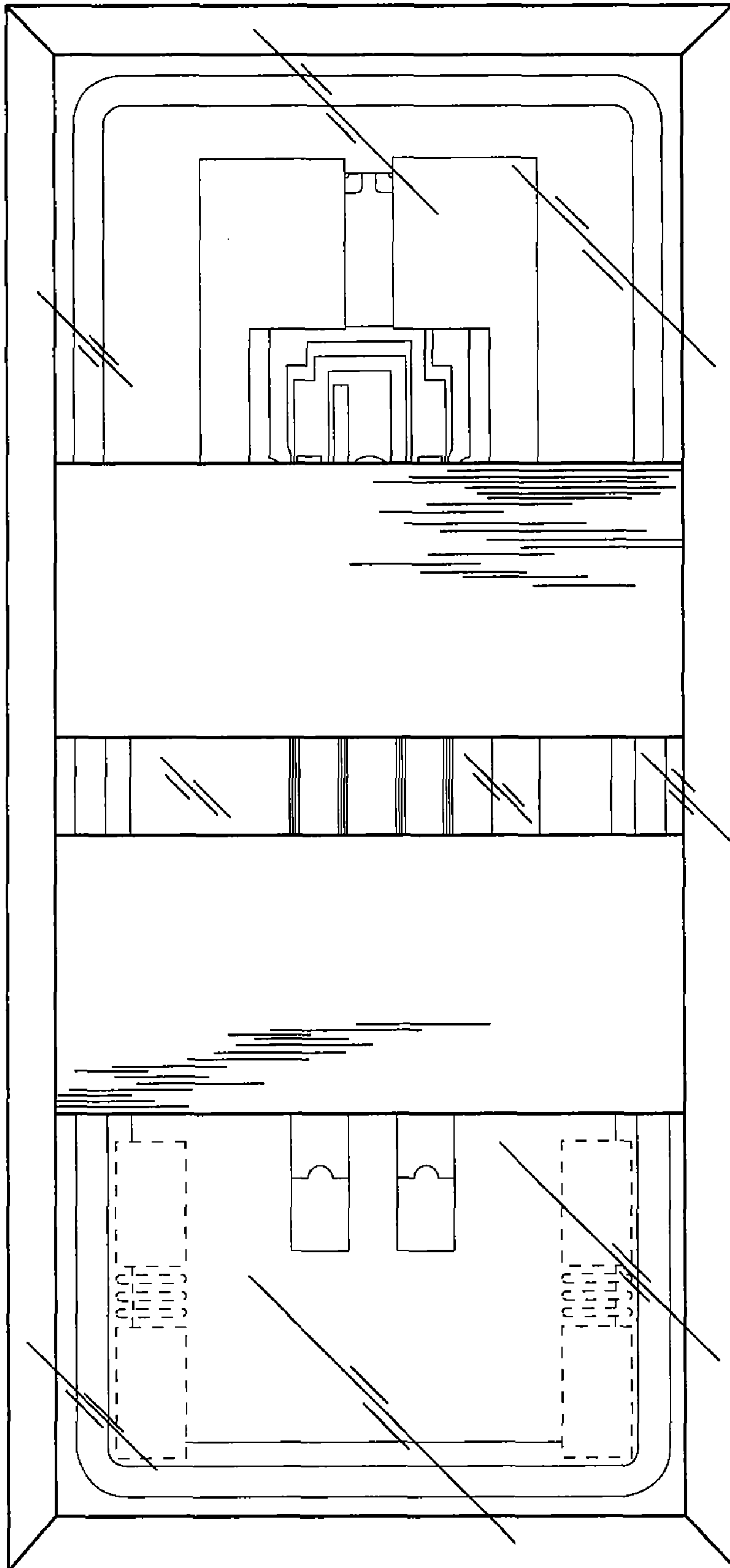


FIG. 3

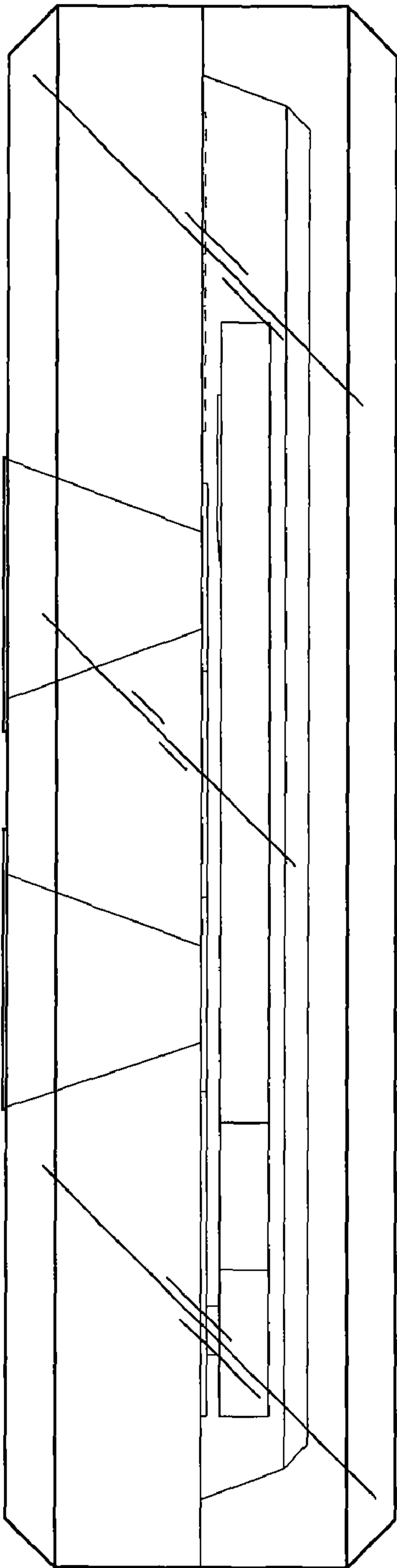


FIG. 4

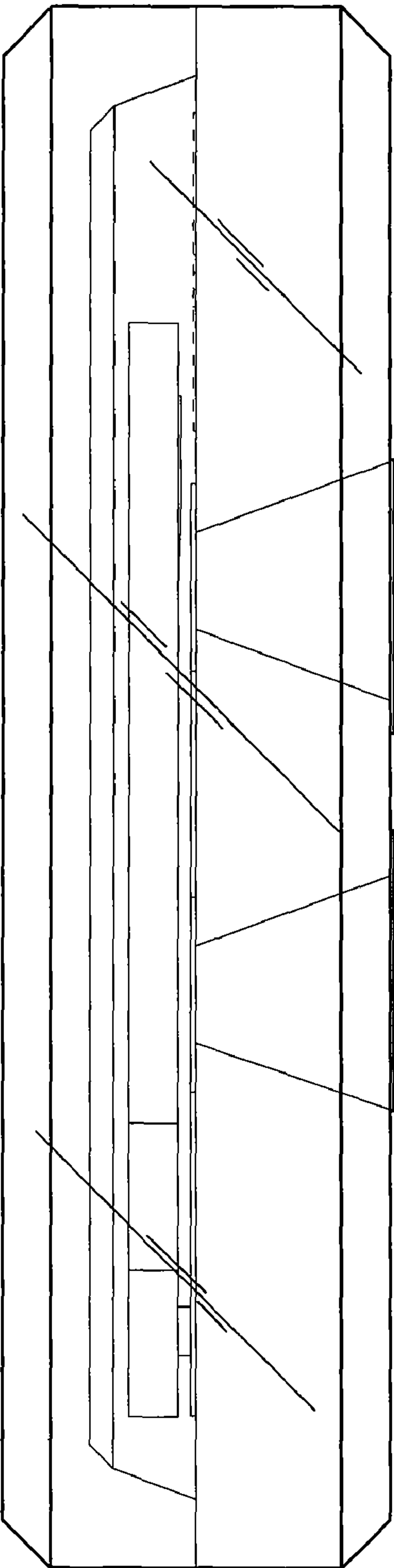


FIG. 5

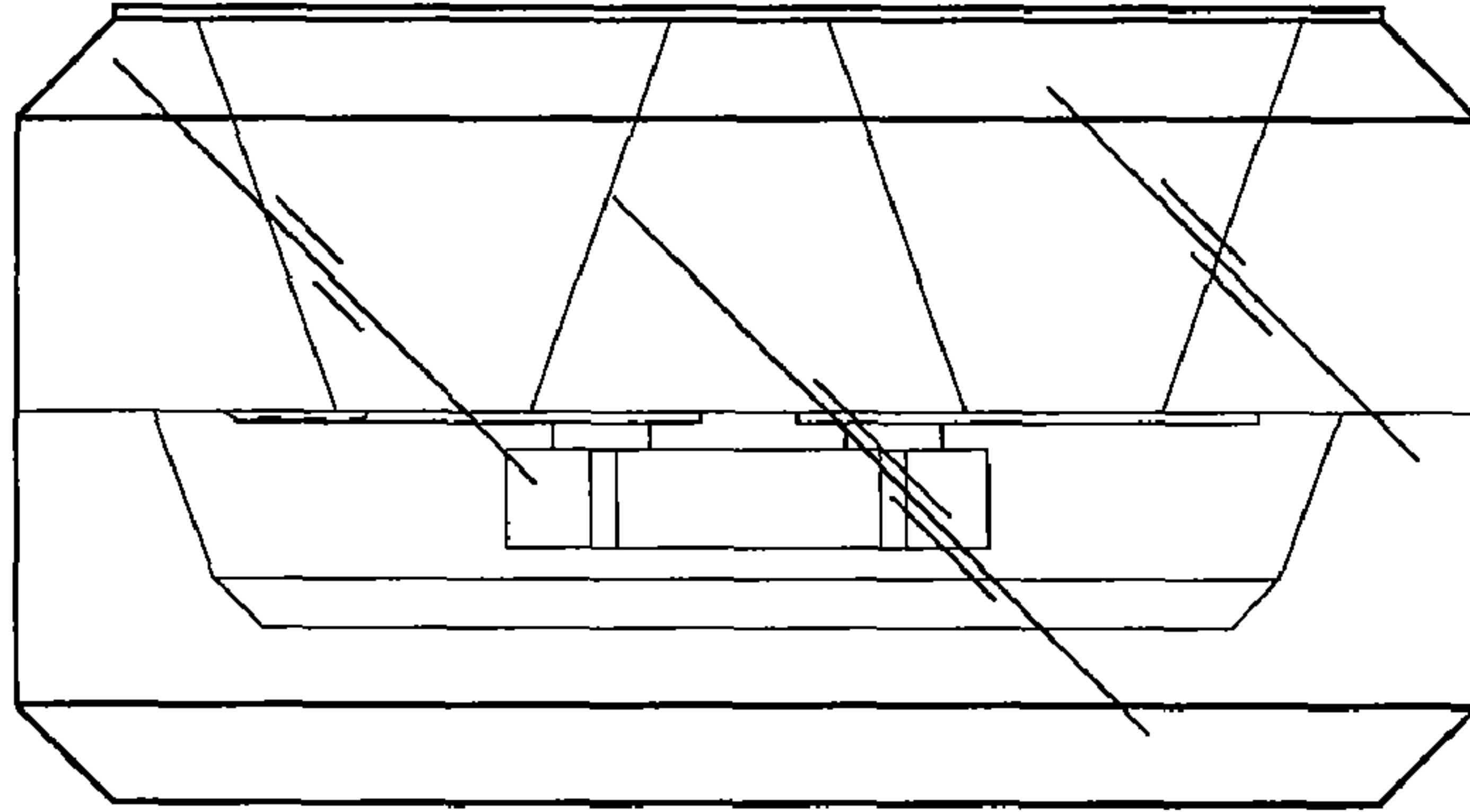


FIG. 7

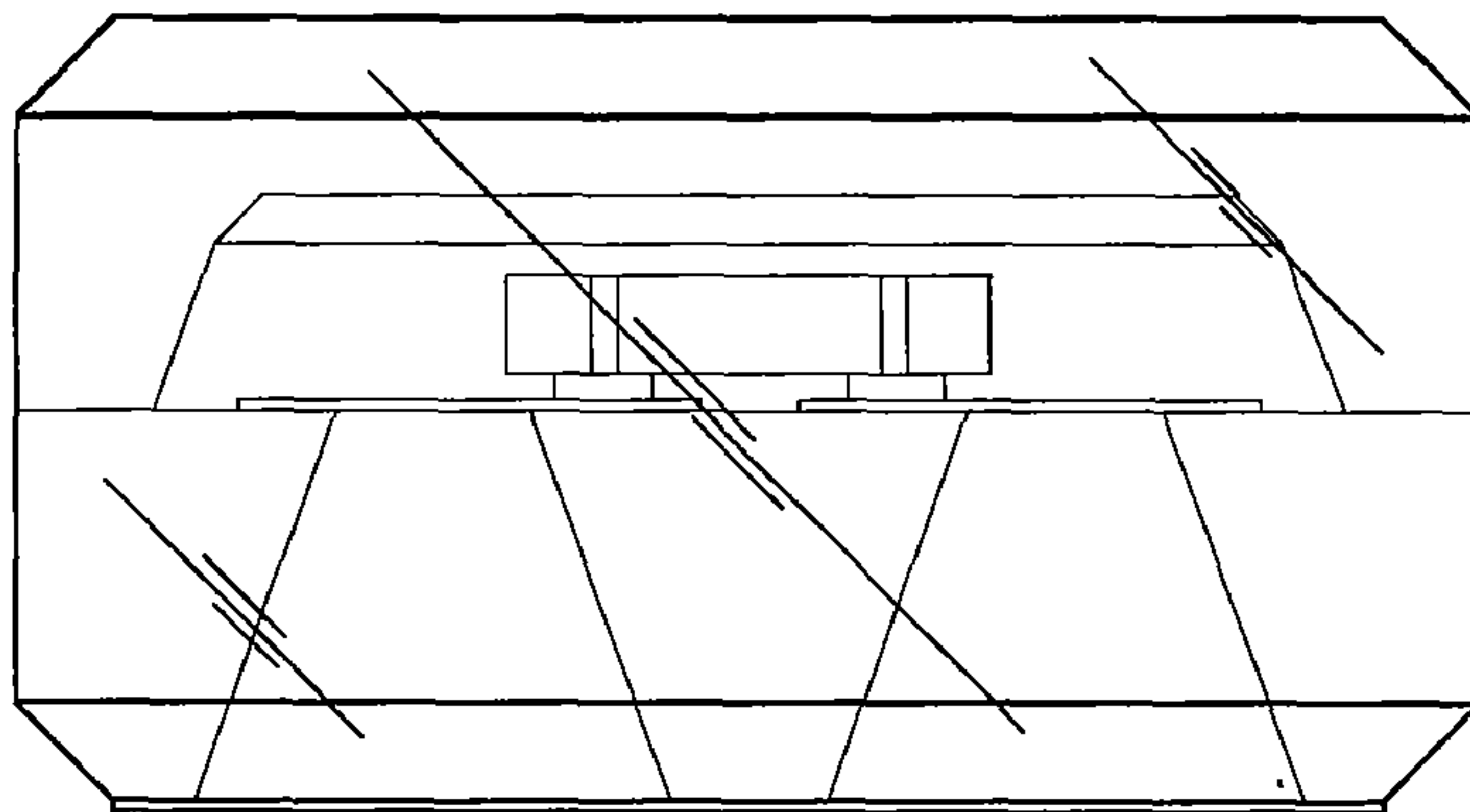


FIG. 6

UNITED STATES PATENT AND TRADEMARK OFFICE
CERTIFICATE OF CORRECTION

PATENT NO. : D634,288 S
APPLICATION NO. : 29/360967
DATED : March 15, 2011
INVENTOR(S) : Kazuyoshi Sugama

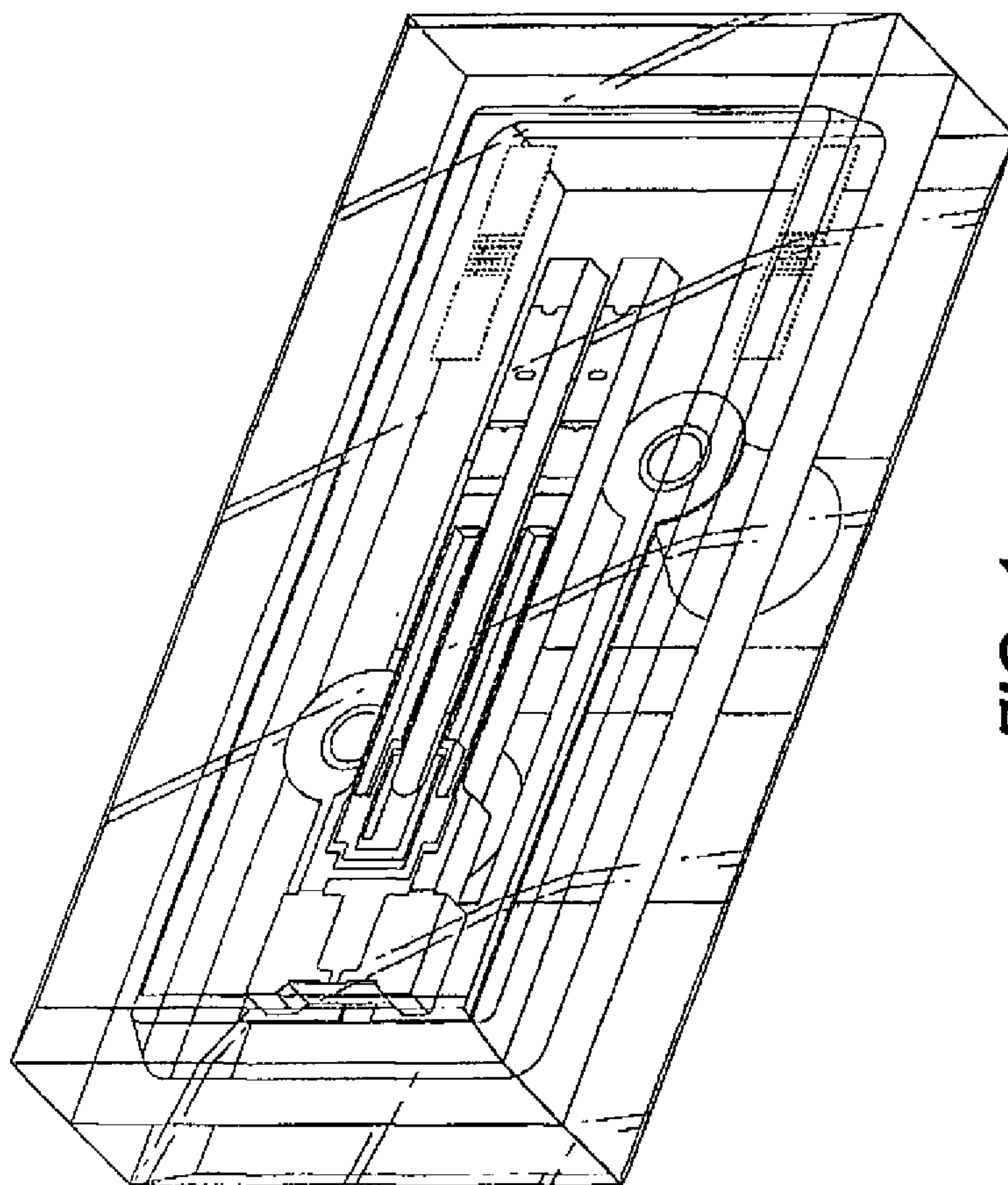
Page 1 of 6

It is certified that error appears in the above-identified patent and that said Letters Patent is hereby corrected as shown below:

The title page showing the illustrative figure should be deleted to be replaced with the attached title page.

In the drawings:

Please replace Sheet 1 of 5 of the Patent, Fig. 1 with the following Fig 1:



Signed and Sealed this
Sixteenth Day of October, 2012

David J. Kappos

David J. Kappos
Director of the United States Patent and Trademark Office

In the drawings:

Please replace Sheet 2 of 5 of the Patent, Fig. 2 with the following Fig. 2:

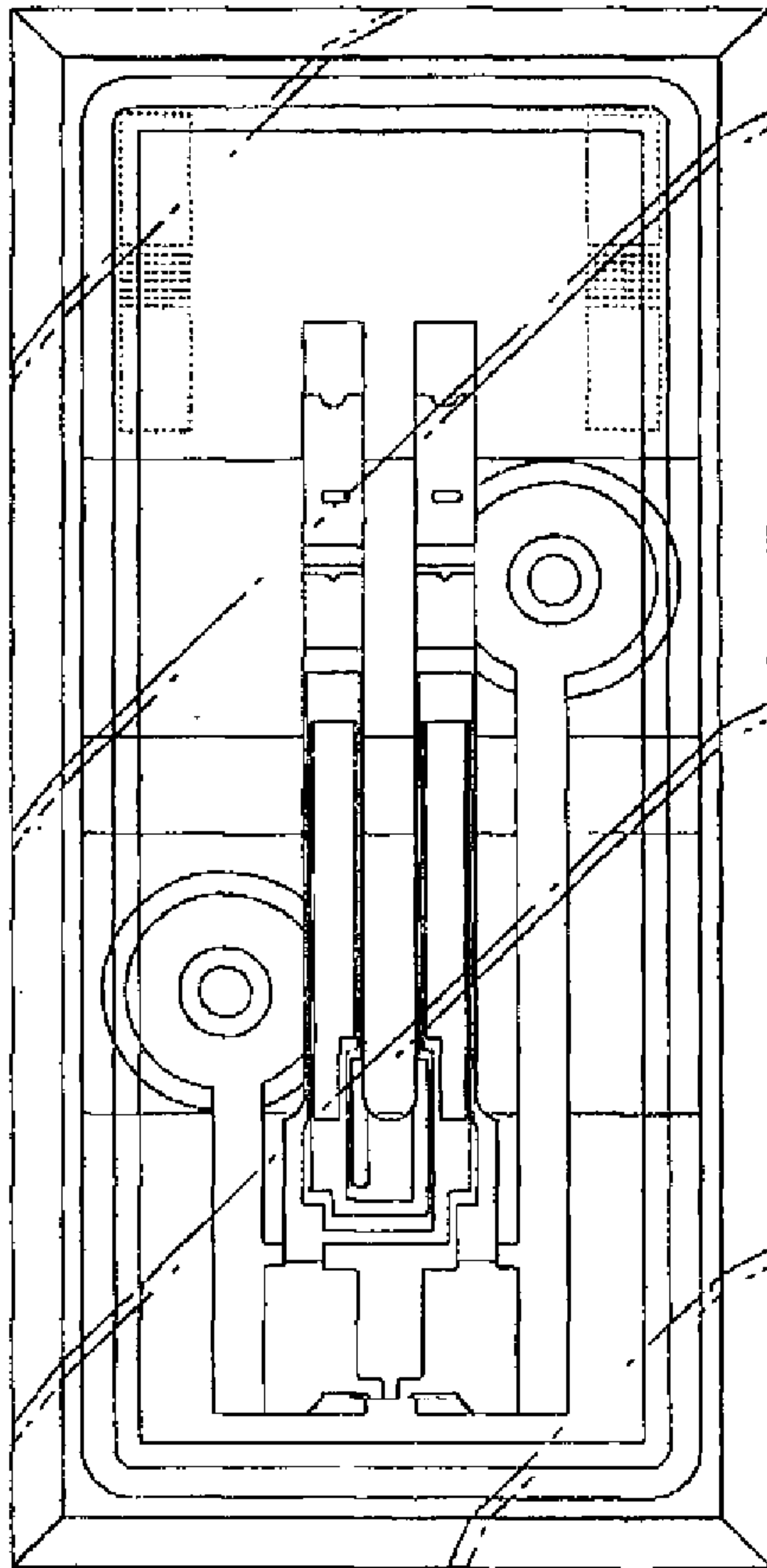


FIG. 2

In the drawings:

Please replace Sheet 3 of 5 of the Patent, Fig. 3 with the following Fig. 3:

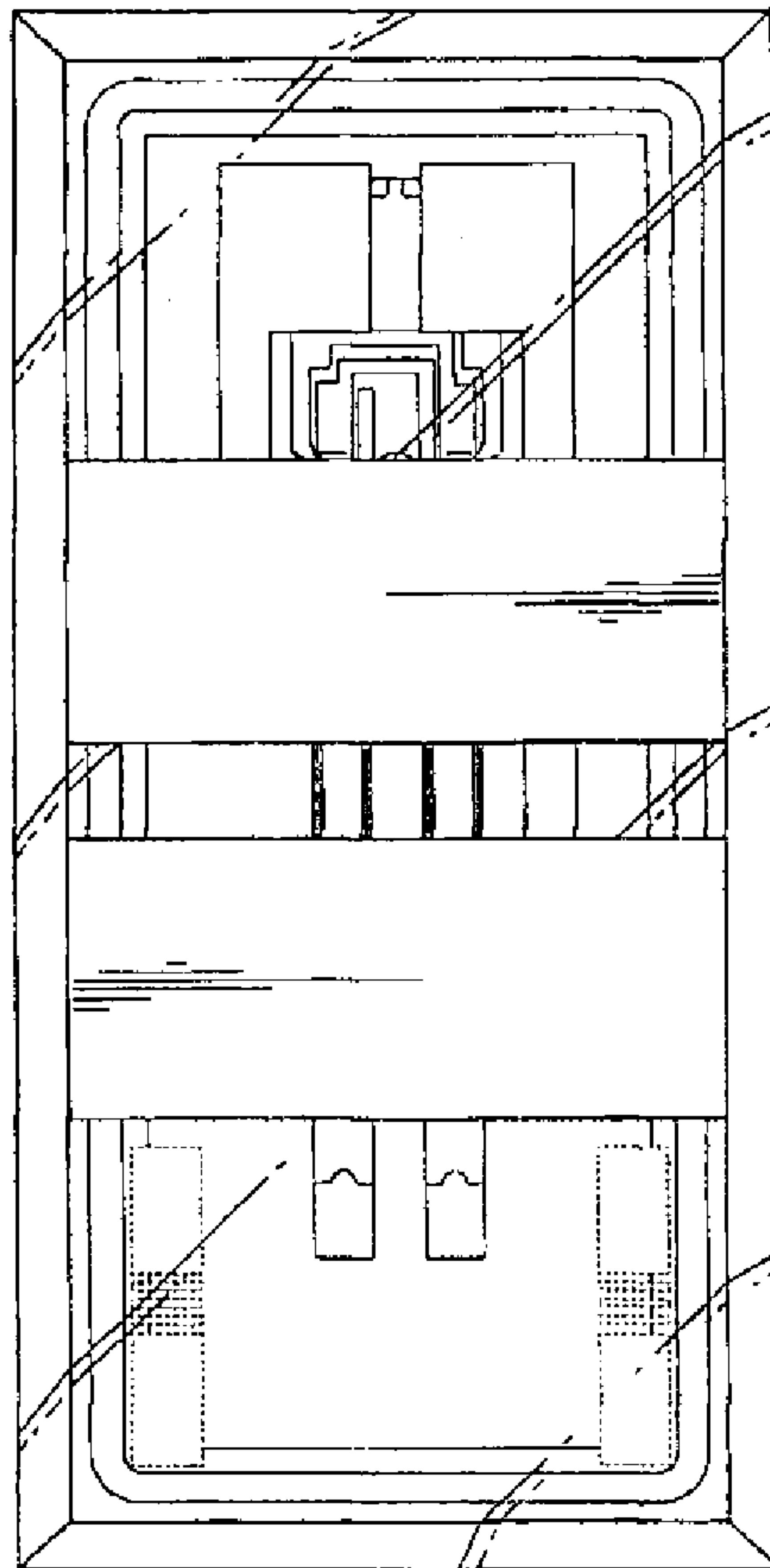


FIG. 3

In the drawings:

Please replace Sheet 4 of 5 of the Patent, Fig. 4 and Fig. 5 with the following Fig. 4 and Fig. 5:

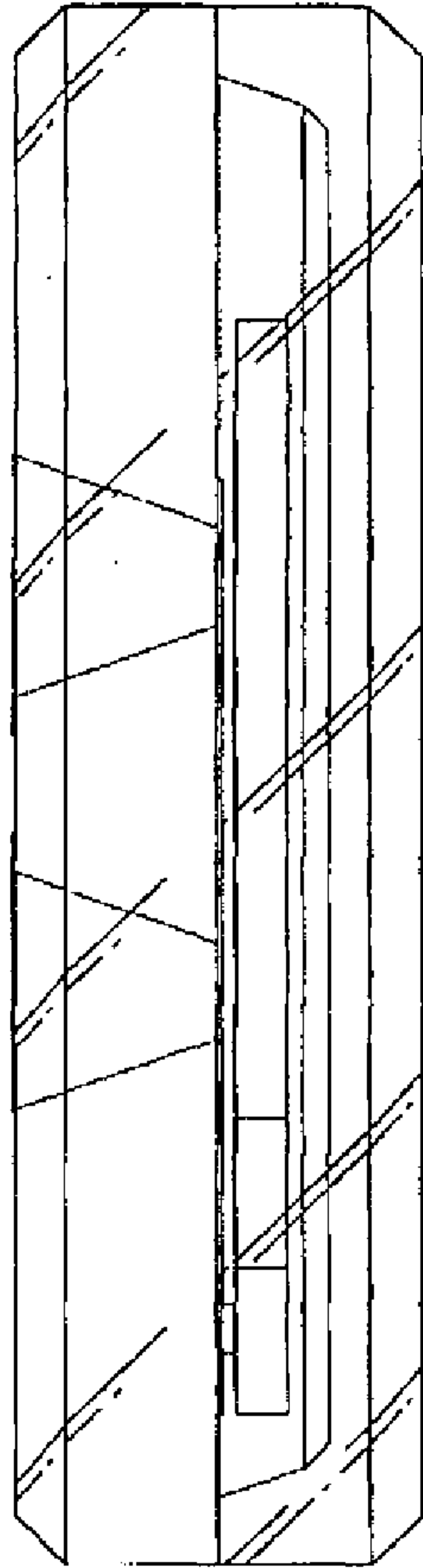


FIG. 4

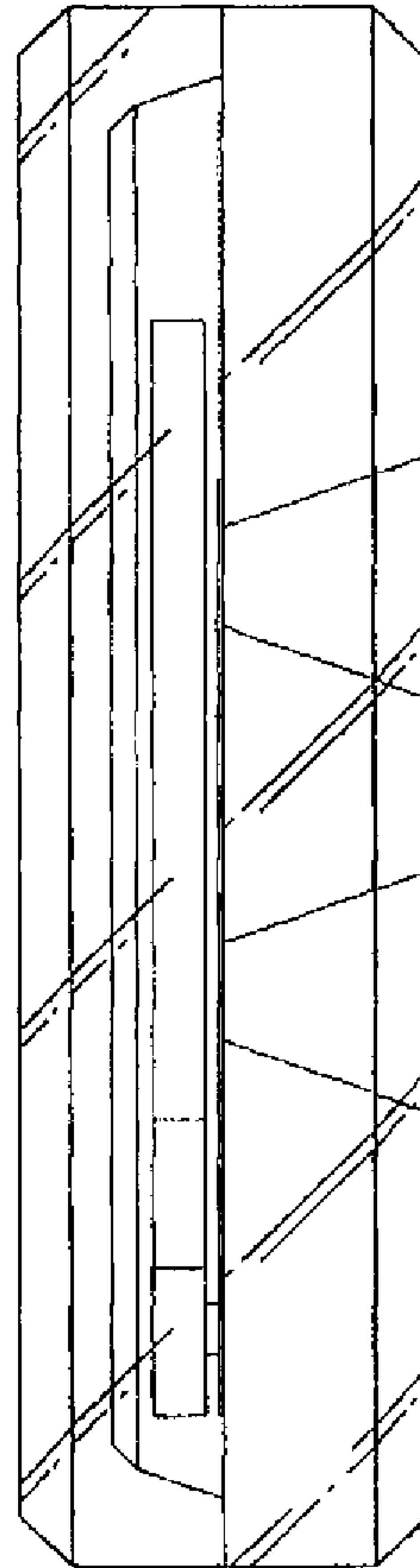


FIG. 5

In the drawings:

Please replace Sheet 5 of 5 of the Patent, Fig. 6 and Fig. 7 with the following Fig. 6 and Fig. 7:

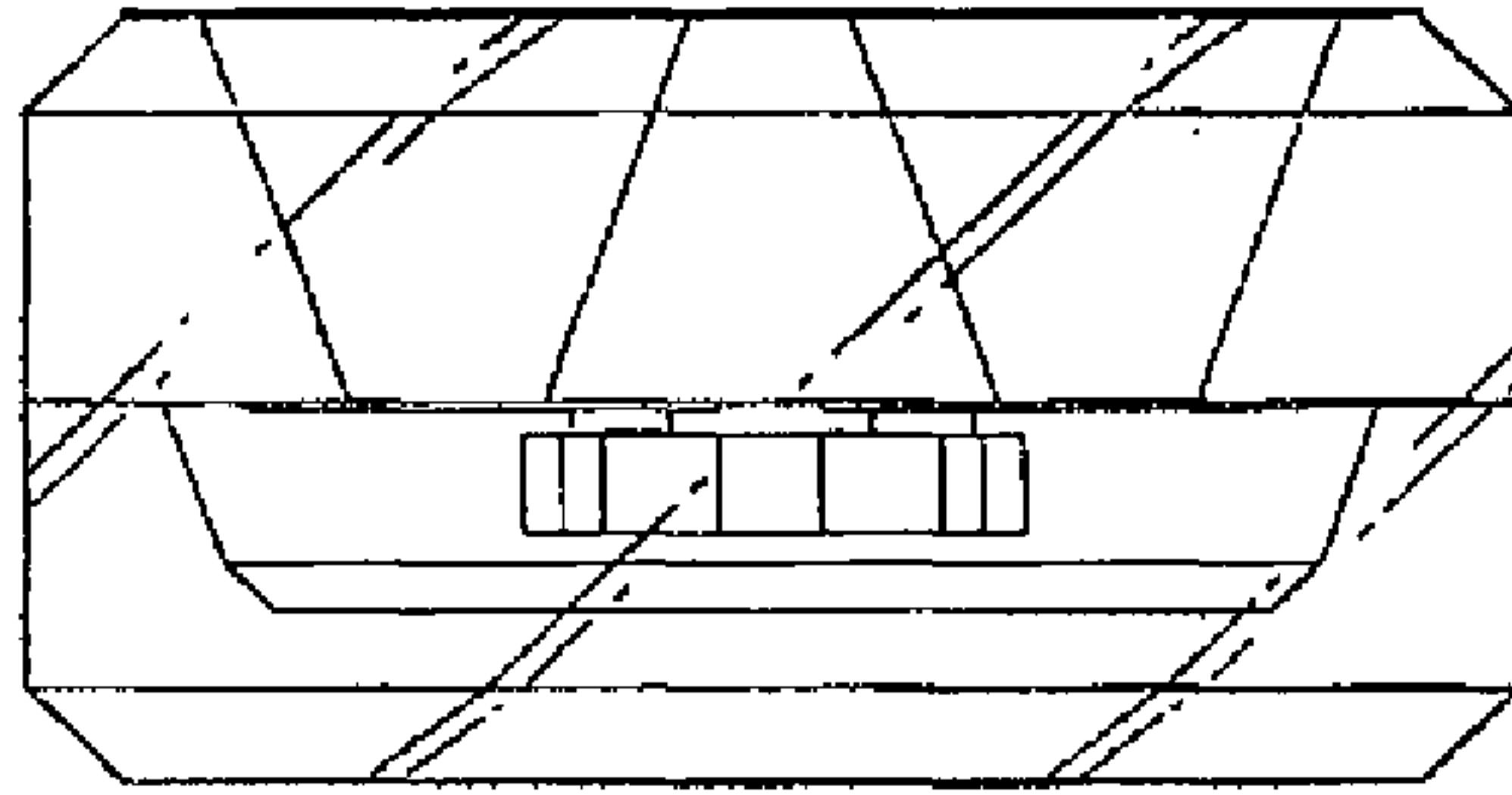


FIG. 7

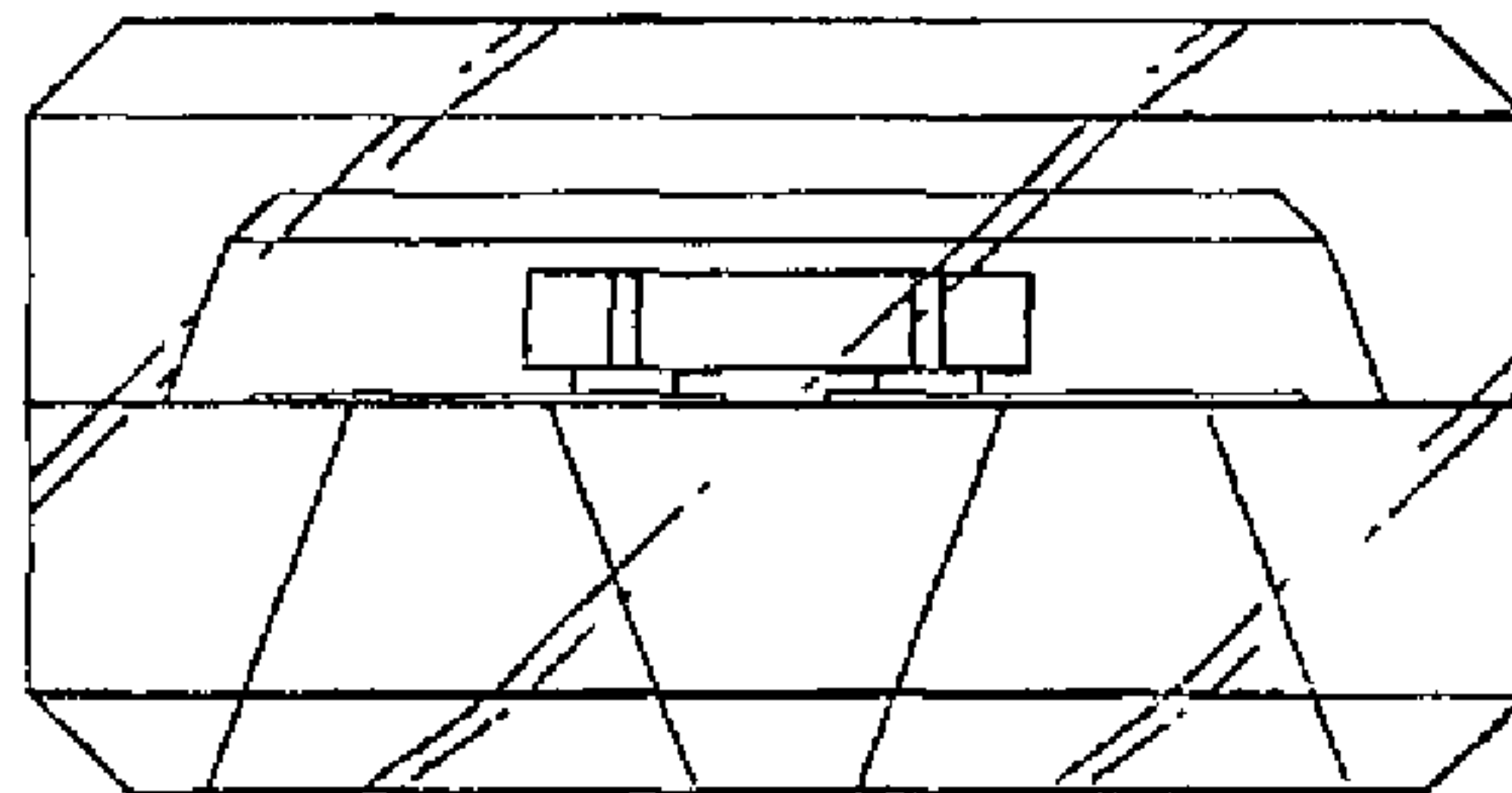


FIG. 6

(12) **United States Design Patent**
Sugama

(10) **Patent No.:** US D634,288 S
(45) **Date of Patent:** ** Mar. 15, 2011

(54) **QUARTZ CRYSTAL**

(75) **Inventor:** Kazuyoshi Sugama, Chiba (JP)

(73) **Assignee:** Seiko Instruments Inc., Chiba (JP)

(**) **Term:** 14 Years

(21) **Appl. No.:** 29/360,967

(22) **Filed:** May 4, 2010

(30) **Foreign Application Priority Data**

Mar. 29, 2010 (JP) D2010-007711

(51) **LOC (9) CI.** 13-03

(52) **U.S. CI.** D13/182

(58) **Field of Classification Search** D13/101,
D13/182; 310/344, 345, 348, 361, 370

See application file for complete search history.

(56) **References Cited**

U.S. PATENT DOCUMENTS

5,596,243	A *	1/1997	Tsuru et al.	310/348
5,889,357	A *	3/1999	Yachi et al.	310/344
6,545,392	B2 *	4/2003	Kawauchi et al.	310/344
7,135,810	B2 *	11/2006	Okajima	310/348
7,279,824	B2 *	10/2007	Tanaya et al.	310/344
2002/0096974	A1 *	7/2002	Moon et al.	310/345
2004/0095044	A1 *	5/2004	Yagishita	310/348
2004/0155561	A1 *	8/2004	Tanaya et al.	310/370
2005/0040737	A1 *	2/2005	Tanaya	310/370
2006/0022557	A1 *	2/2006	Sunaba et al.	310/348
2007/0228892	A1 *	10/2007	Koyama et al.	310/348
2007/0273250	A1 *	11/2007	Naruse	310/348
2008/0231145	A1 *	9/2008	Nagano et al.	310/344
2009/0015106	A1 *	1/2009	Tanaya	310/344
2010/0096955	A1 *	4/2010	Yamada	310/370
2010/0117490	A1 *	5/2010	Takahashi	310/344

OTHER PUBLICATIONS

Sugama, "Quartz Crystal", U.S. Appl. No. 29/361,007, filed May 4, 2010.

Sugama, "Quartz Crystal", U.S. Appl. No. 29/360,959, filed May 4, 2010.

Sugama, "Quartz Crystal", U.S. Appl. No. 29/361,044, filed May 4, 2010.

Sugama, "Quartz Crystal", U.S. Appl. No. 29/361,054, filed May 4, 2010.

Sugama, "Quartz Crystal", U.S. Appl. No. 29/361,049, filed May 4, 2010.

Sugama, Quartz Crystal—U.S. Appl. No. 29/361,041, filed May 4, 2010.

Sugama, Quartz Crystal—U.S. Appl. No. 29/360,962, filed May 4, 2010.

Sugama, Quartz Crystal—U.S. Appl. No. 29/361,020, filed May 4, 2010.

Sugama, Quartz Crystal—U.S. Appl. No. 29/361,021, filed May 4, 2010.

Sugama, Quartz Crystal—U.S. Appl. No. 29/361,050, filed May 4, 2010.

Sugama, Quartz Crystal—U.S. Appl. No. 29/361,055, filed May 4, 2010.

(Continued)

Primary Examiner - Selina Sikder

(74) *Attorney, Agent, or Firm* Finnegan, Henderson, Farabow, Garrett & Dunner, L.L.P.

(57) **CLAIM**

The ornamental design for quartz crystal, as shown and described.

DESCRIPTION

FIG. 1 is a perspective view of the front, bottom and left side of quartz crystal showing my new design; FIG. 2 is a front view thereof; FIG. 3 is a rear view thereof; FIG. 4 is a top plan view thereof; FIG. 5 is a bottom view thereof; FIG. 6 is a left side view thereof; and, FIG. 7 is a right side view thereof.

The elements shown in broken lines are for illustrative purposes only and form no part of the claimed design.

1 Claim, 5 Drawing Sheets

