



US00D634285S

(12) **United States Design Patent**
Ko et al.

(10) **Patent No.:** **US D634,285 S**
(45) **Date of Patent:** **** Mar. 15, 2011**

(54) **LEAD FRAME**

(75) Inventors: **Bo-Yu Ko**, Hsinchu (TW); **Ya-Hsien Chang**, Hsinchu (TW); **Chun-Wei Wang**, Hsinchu (TW)

(73) Assignee: **Lextar Electronics Corporation**, Hsinchu (TW)

(**) Term: **14 Years**

(21) Appl. No.: **29/367,261**

(22) Filed: **Aug. 5, 2010**

(30) **Foreign Application Priority Data**

Feb. 10, 2010 (TW) 99300671

(51) **LOC (9) Cl.** **13-03**

(52) **U.S. Cl.** **D13/180**

(58) **Field of Classification Search** D13/180;
D26/2; 257/79, 80, 81, 88, 89, 95, 98, 99,
257/100, E33.058; 313/483, 498, 500; 362/555,
362/800

See application file for complete search history.

(56) **References Cited**

U.S. PATENT DOCUMENTS

D562,272 S * 2/2008 Su et al. D13/180
D568,834 S * 5/2008 Nishida et al. D13/180
D599,750 S * 9/2009 Kim et al. D13/180
D608,308 S * 1/2010 Hsieh D13/180

D622,680 S * 8/2010 Lin et al. D13/180
D627,310 S * 11/2010 Lin et al. D13/180
D628,541 S * 12/2010 Lin D13/180
2006/0163602 A1 * 7/2006 Isokawa 257/100
2006/0220205 A1 * 10/2006 Hongo et al. 257/680

* cited by examiner

Primary Examiner—Selina Sikder

(74) *Attorney, Agent, or Firm*—Kirtton & McConkie; Evan R. Witt

(57) **CLAIM**

The ornamental design for a lead frame, as shown and described.

DESCRIPTION

FIG. 1 is a three dimensional view of a lead frame showing our new design;

FIG. 2 is a right side view thereof;

FIG. 3 is a top side view thereof;

FIG. 4 is a front side view thereof;

FIG. 5 is a bottom side view thereof;

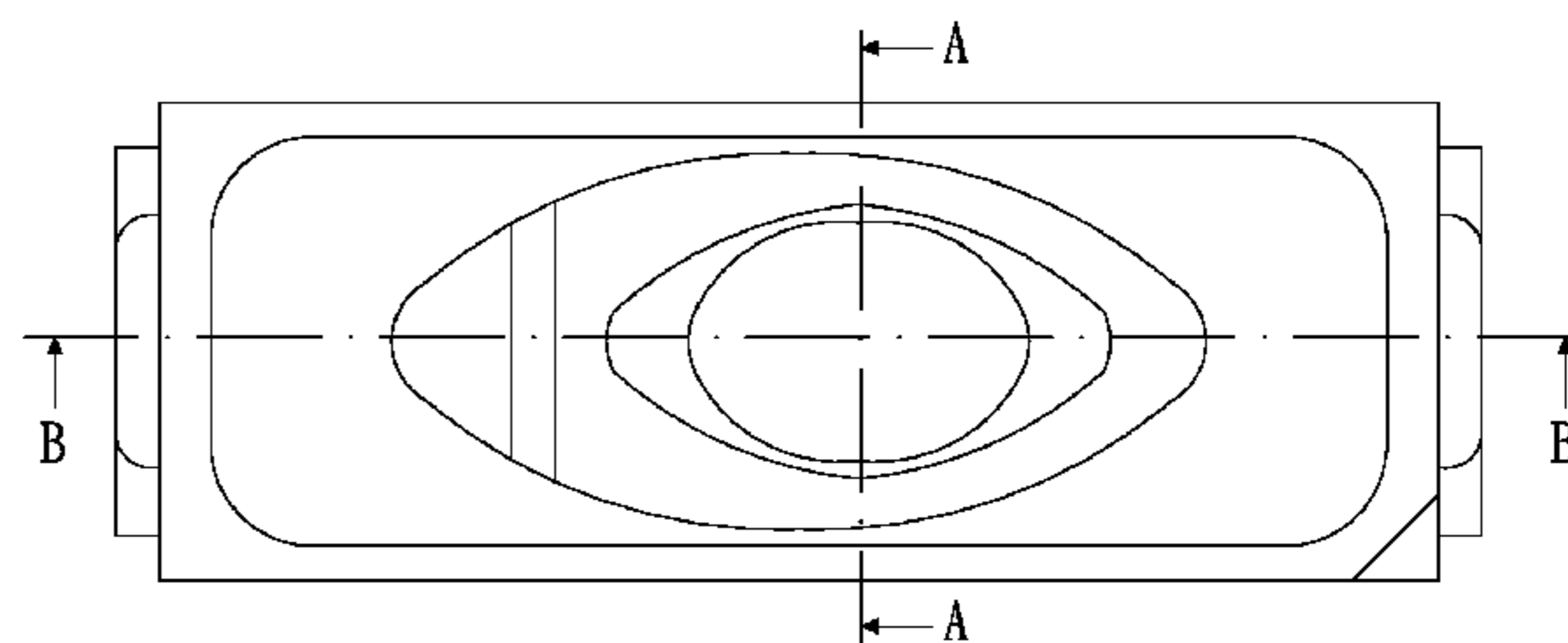
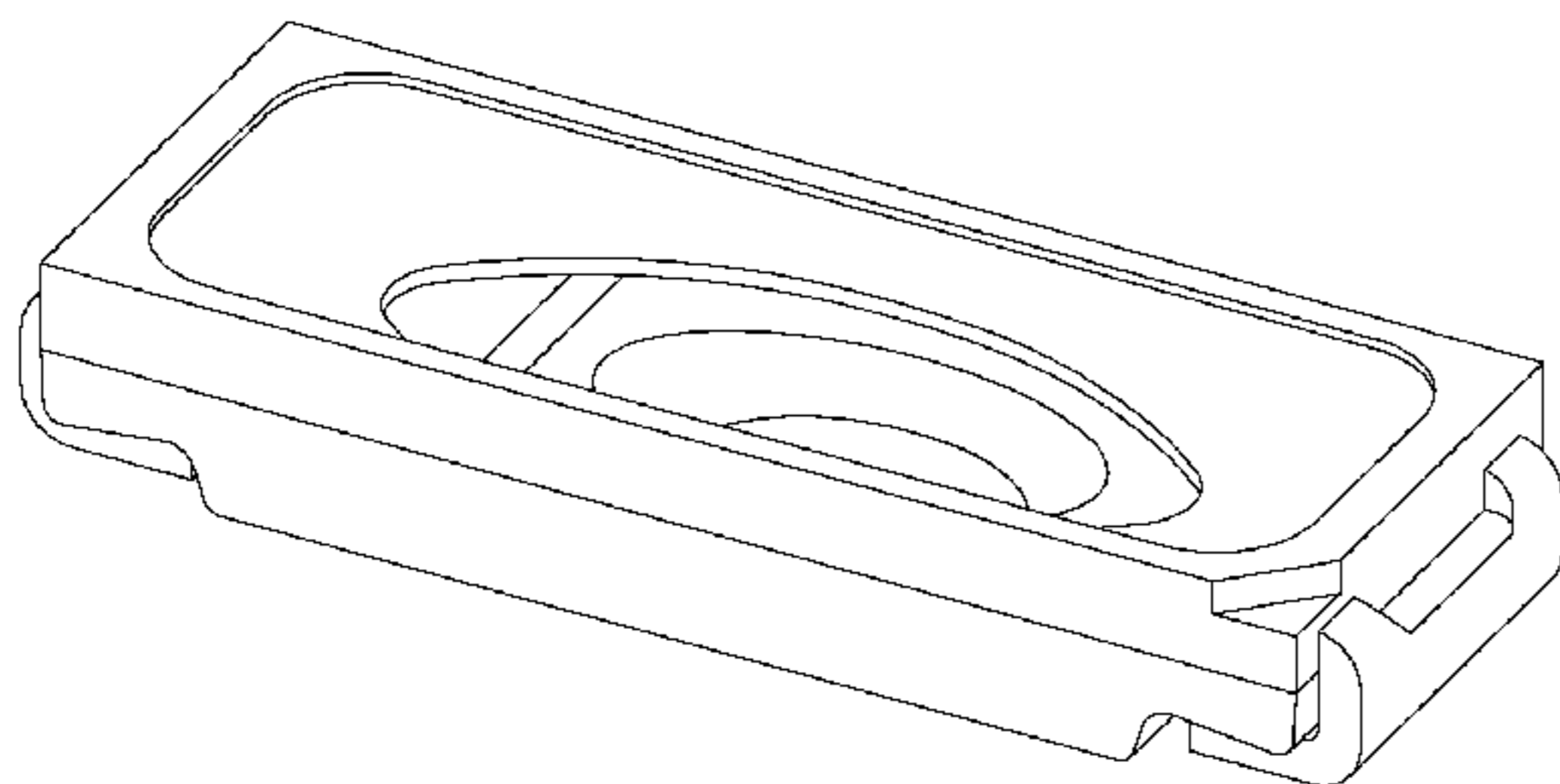
FIG. 6 is a left side view thereof;

FIG. 7 is a rear side view thereof;

FIG. 8 is a cross-sectional view taken along the line A—A of FIG. 4; and,

FIG. 9 is a cross-sectional view taken along the line B—B of FIG. 4.

1 Claim, 9 Drawing Sheets



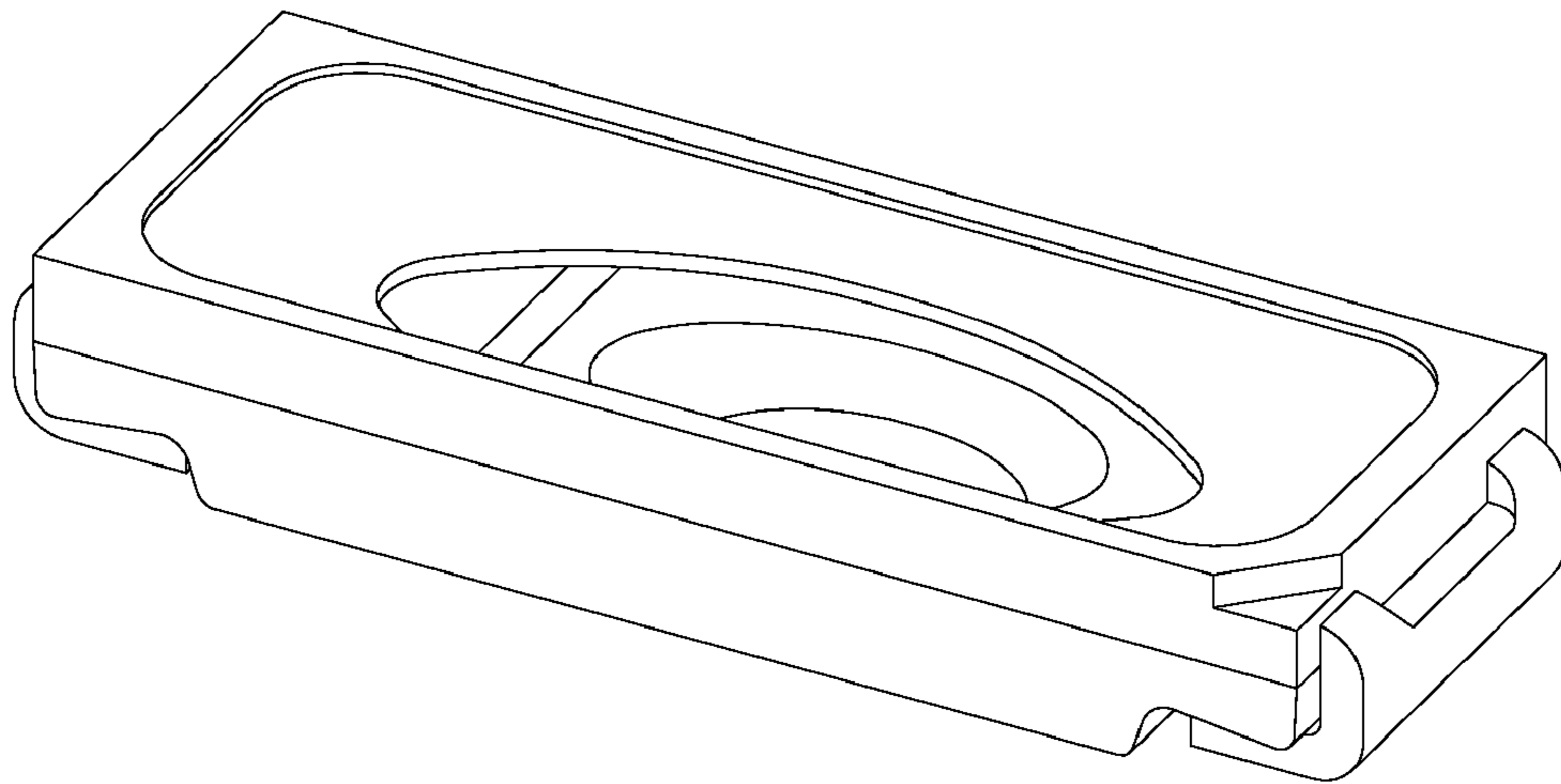


FIG. 1

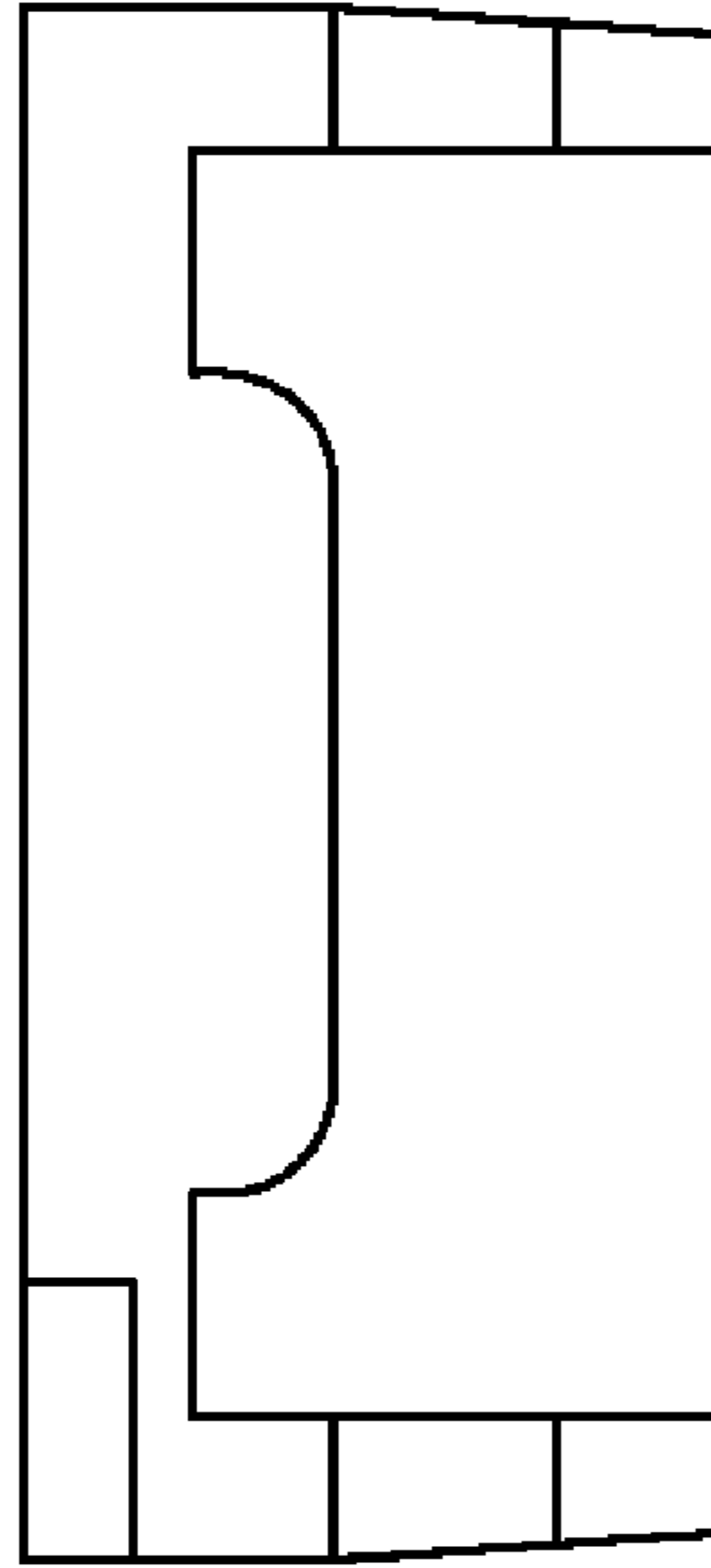


FIG. 2



FIG. 3

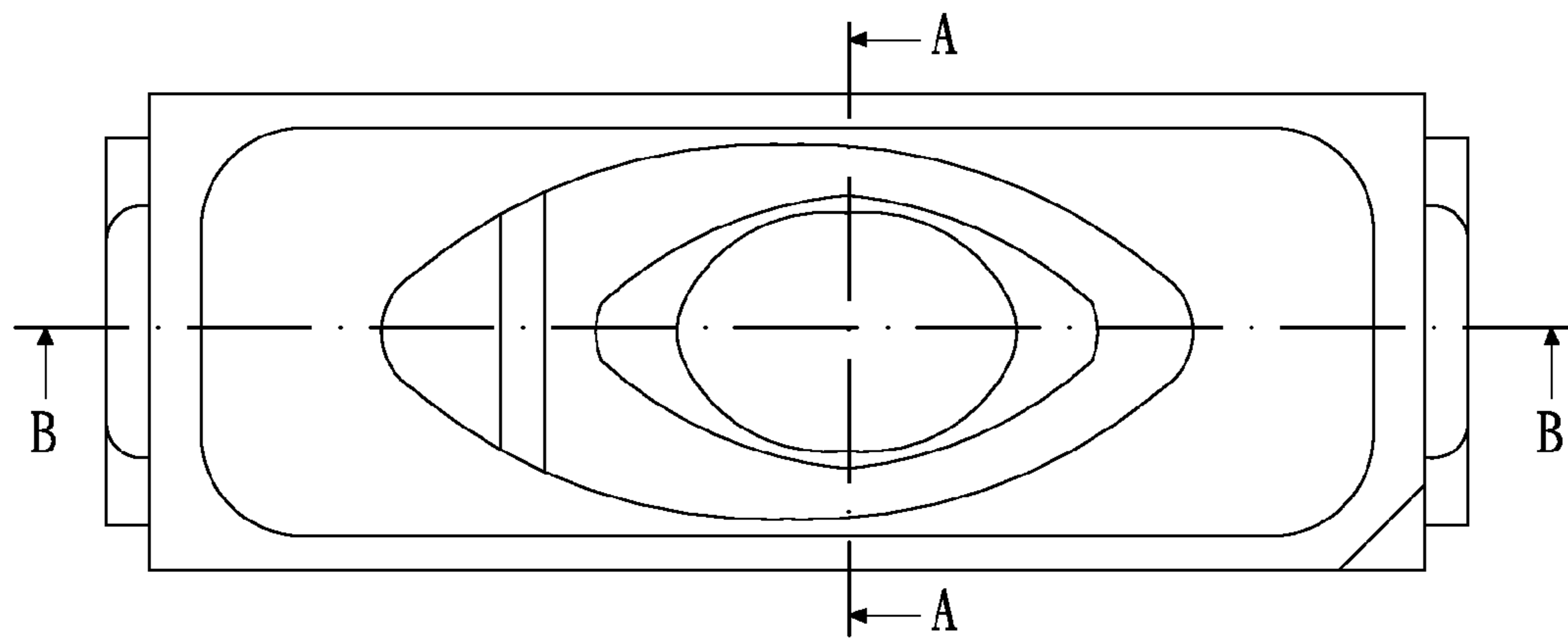


FIG. 4

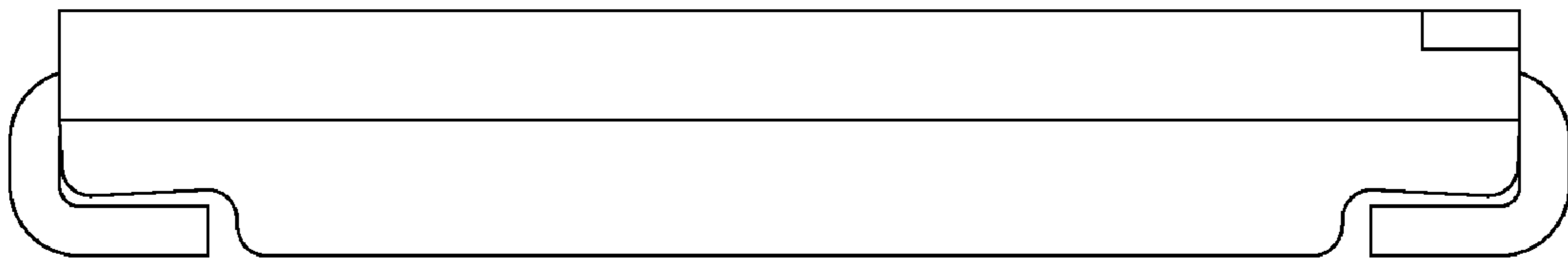


FIG. 5

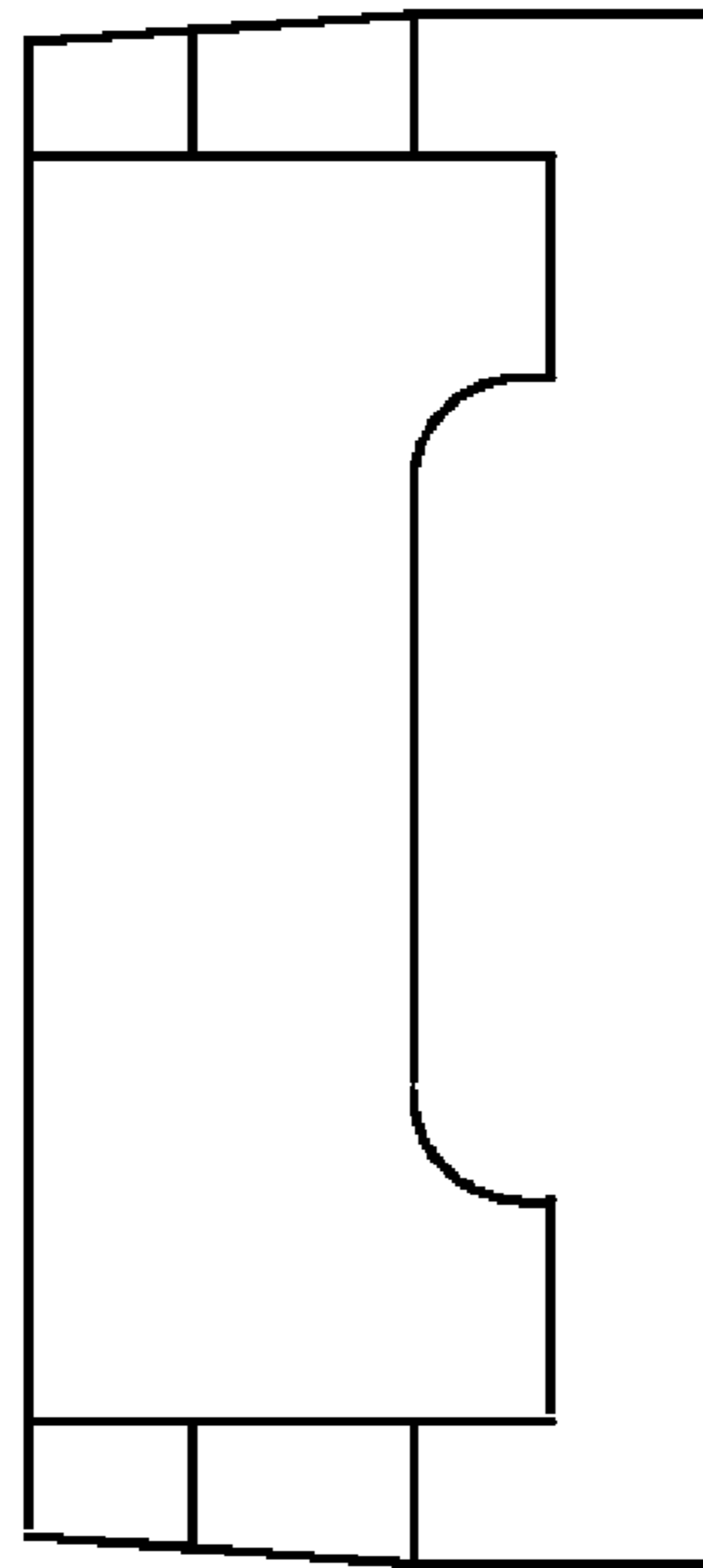


FIG. 6

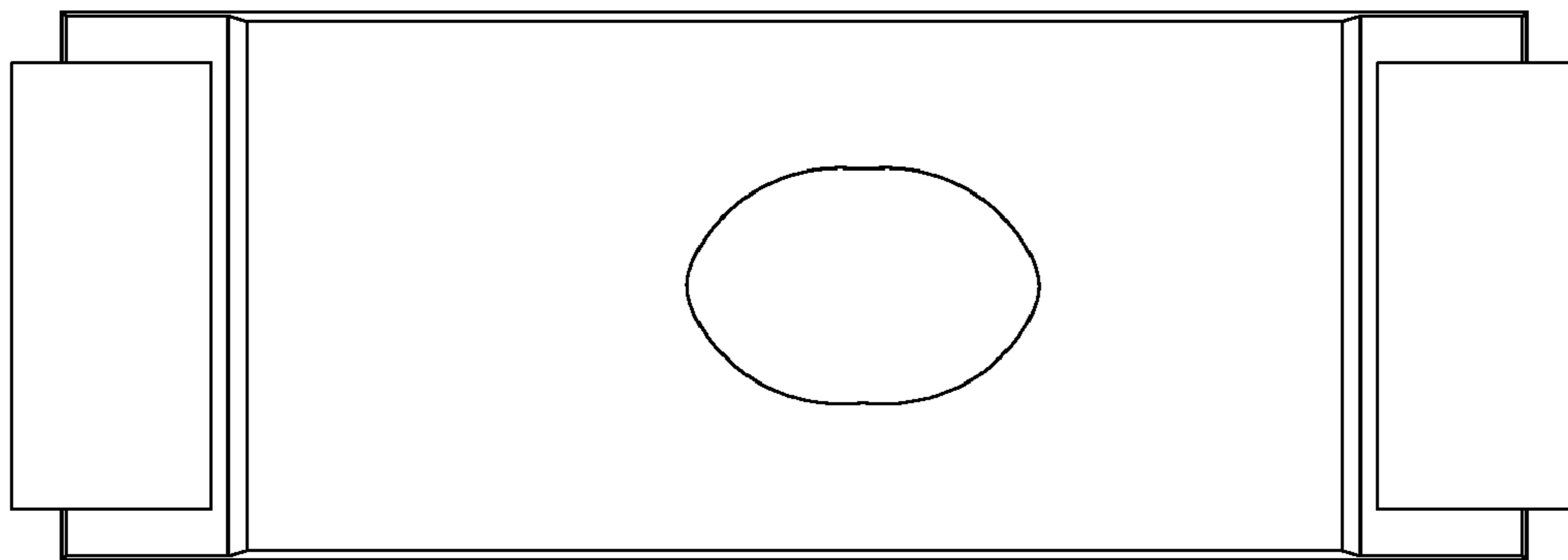


FIG. 7

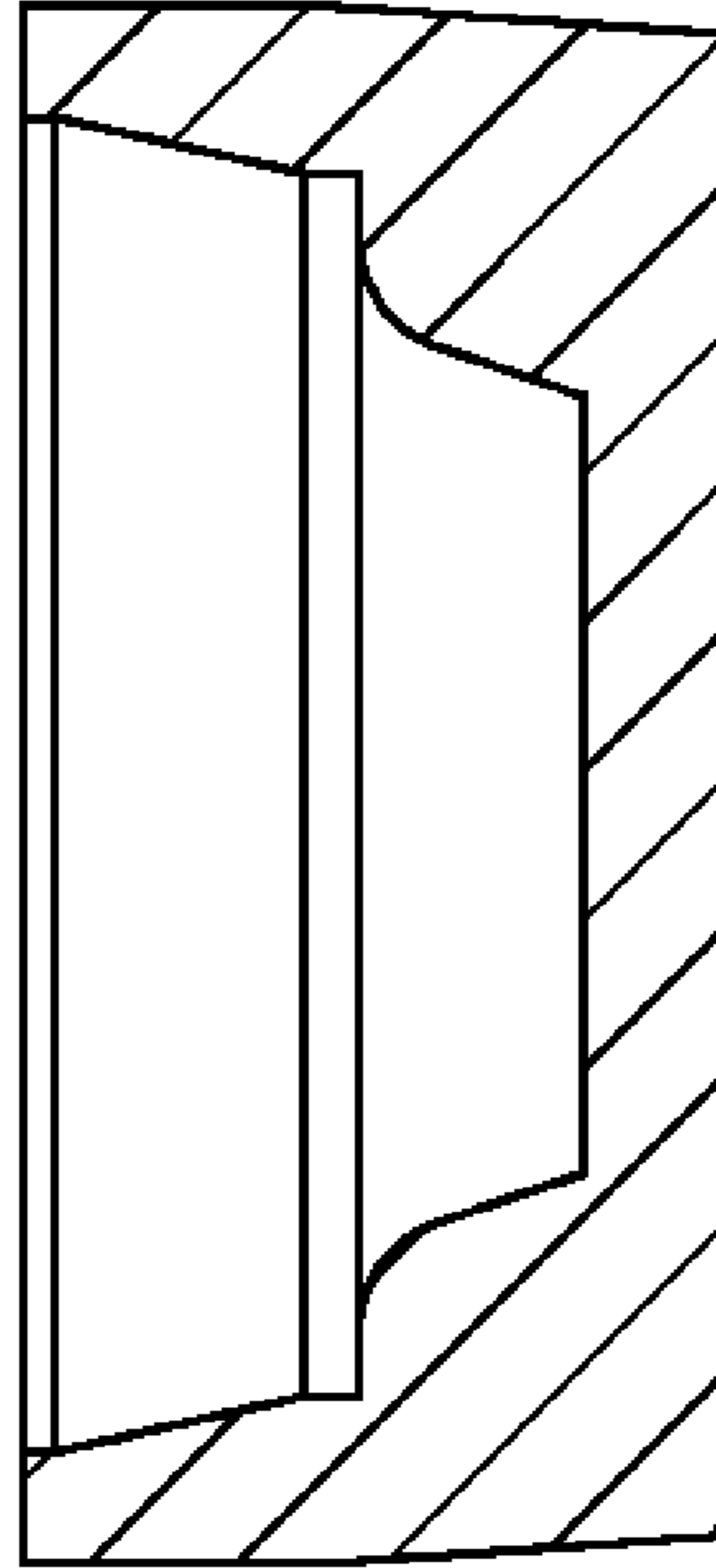


FIG. 8

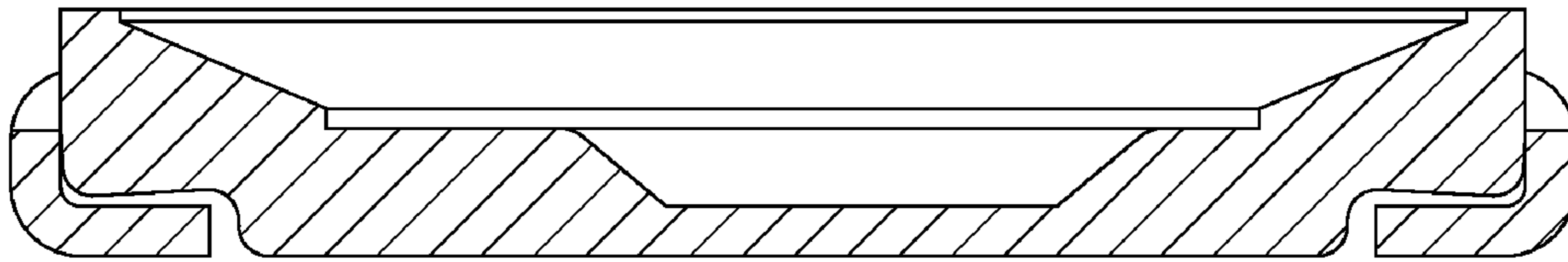


FIG. 9