



US00D634284S

(12) **United States Design Patent**  
**Ko et al.**

(10) **Patent No.:** **US D634,284 S**  
(45) **Date of Patent:** **\*\* Mar. 15, 2011**

(54) **LEAD FRAME**  
(75) Inventors: **Bo-Yu Ko**, Hsinchu (TW); **Ya-Hsien Chang**, Hsinchu (TW); **Chun-Wei Wang**, Hsinchu (TW)

(73) Assignee: **Lextar Electronics Corporation**, Hsinchu (TW)

(\*\*) Term: **14 Years**

(21) Appl. No.: **29/367,255**

(22) Filed: **Aug. 5, 2010**

(30) **Foreign Application Priority Data**

Feb. 10, 2010 (TW) ..... 99300673

(51) **LOC (9) Cl.** ..... **13-03**

(52) **U.S. Cl.** ..... **D13/180**

(58) **Field of Classification Search** ..... D13/180;  
D26/2; 257/79, 80, 81, 88, 89, 95, 98, 99,  
257/100, E33.058; 313/483, 498, 500; 362/555,  
362/800

See application file for complete search history.

(56) **References Cited**

**U.S. PATENT DOCUMENTS**

D562,272 S \* 2/2008 Su et al. .... D13/180  
D568,834 S \* 5/2008 Nishida et al. .... D13/180

D599,750 S \* 9/2009 Kim et al. .... D13/180  
D608,308 S \* 1/2010 Hsieh ..... D13/180  
D622,680 S \* 8/2010 Lin et al. .... D13/180  
D627,310 S \* 11/2010 Lin et al. .... D13/180  
D628,541 S \* 12/2010 Lin ..... D13/180  
2006/0163602 A1\* 7/2006 Isokawa ..... 257/100  
2006/0220205 A1\* 10/2006 Hongo et al. .... 257/680

\* cited by examiner

*Primary Examiner* — Selina Sikder

(74) *Attorney, Agent, or Firm* — Kirton & McConkie; Evan R. Witt

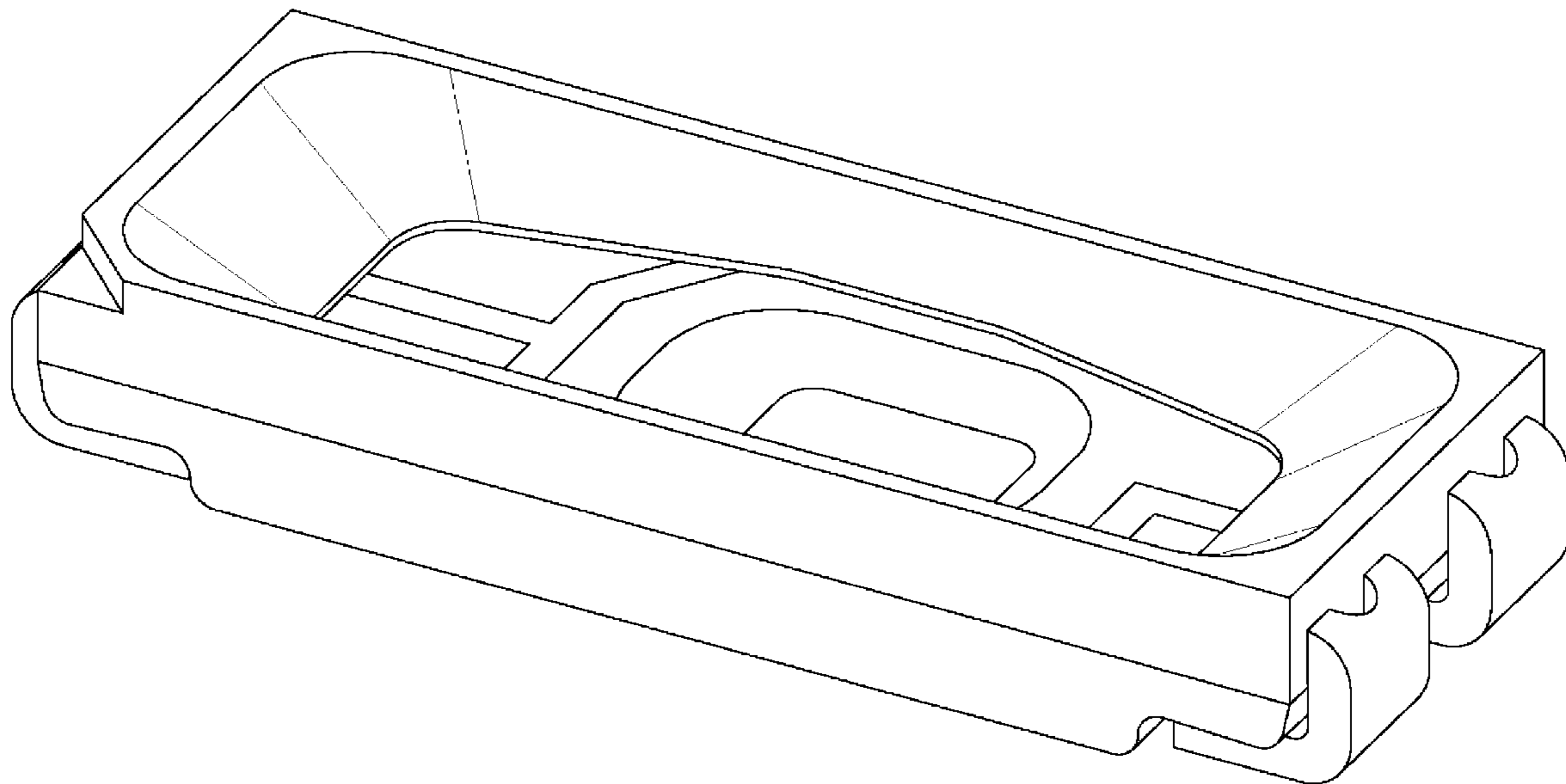
(57) **CLAIM**

The ornamental design for a lead frame, as shown and described.

**DESCRIPTION**

FIG. 1 is a three dimensional view of a lead frame showing our new design;  
FIG. 2 is a right side view thereof;  
FIG. 3 is a top side view thereof;  
FIG. 4 is a front side view thereof;  
FIG. 5 is a bottom side view thereof;  
FIG. 6 is a left side view thereof;  
FIG. 7 is a rear side view thereof;  
FIG. 8 is a cross-sectional view taken along the line A—A of FIG. 4; and,  
FIG. 9 is a cross-sectional view taken along the line B—B of FIG. 4.

**1 Claim, 9 Drawing Sheets**



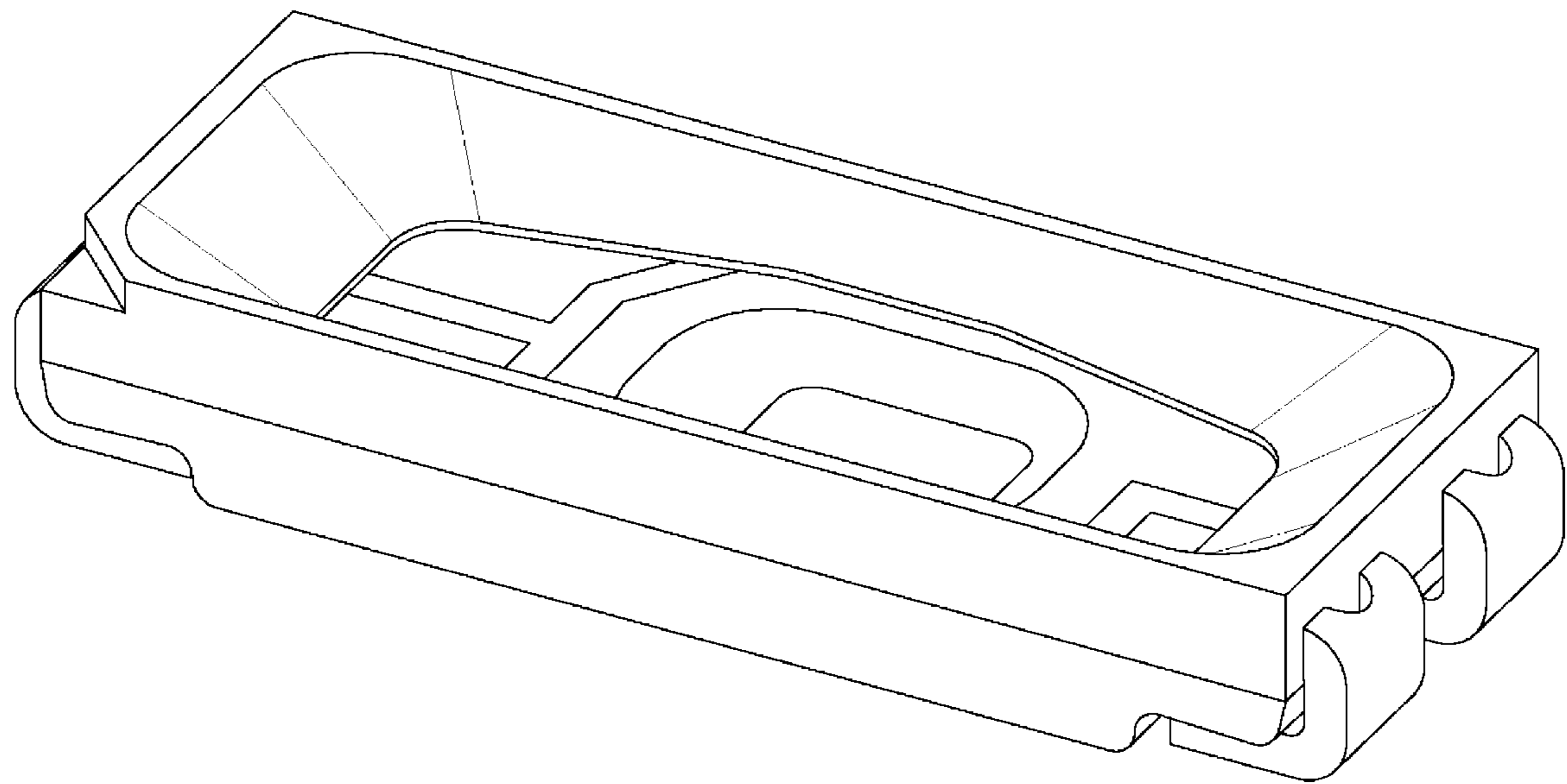


FIG. 1

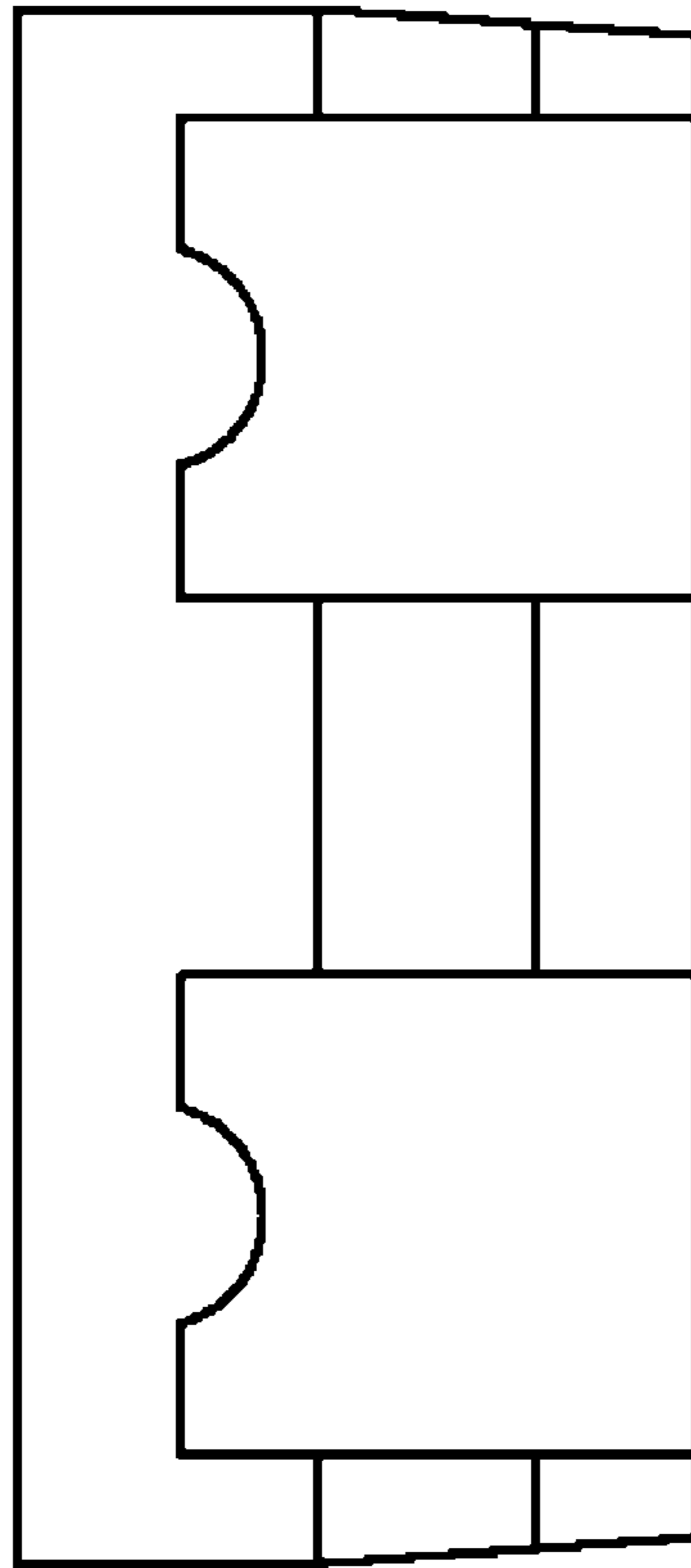


FIG. 2

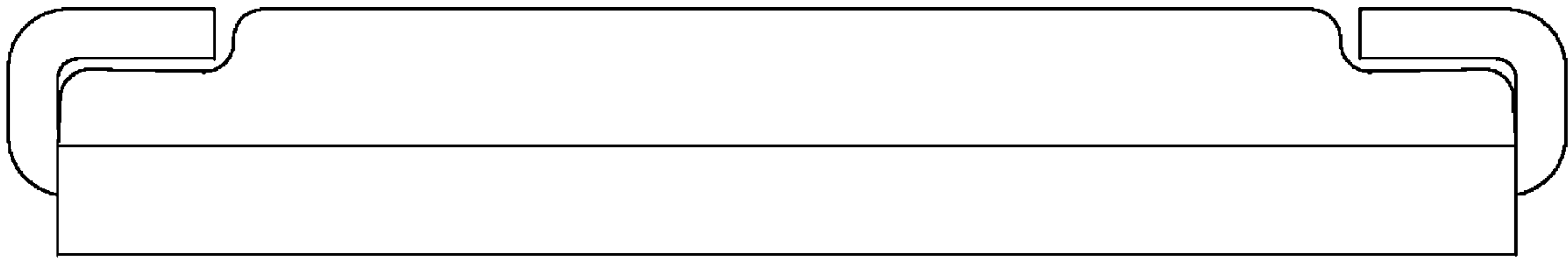


FIG. 3

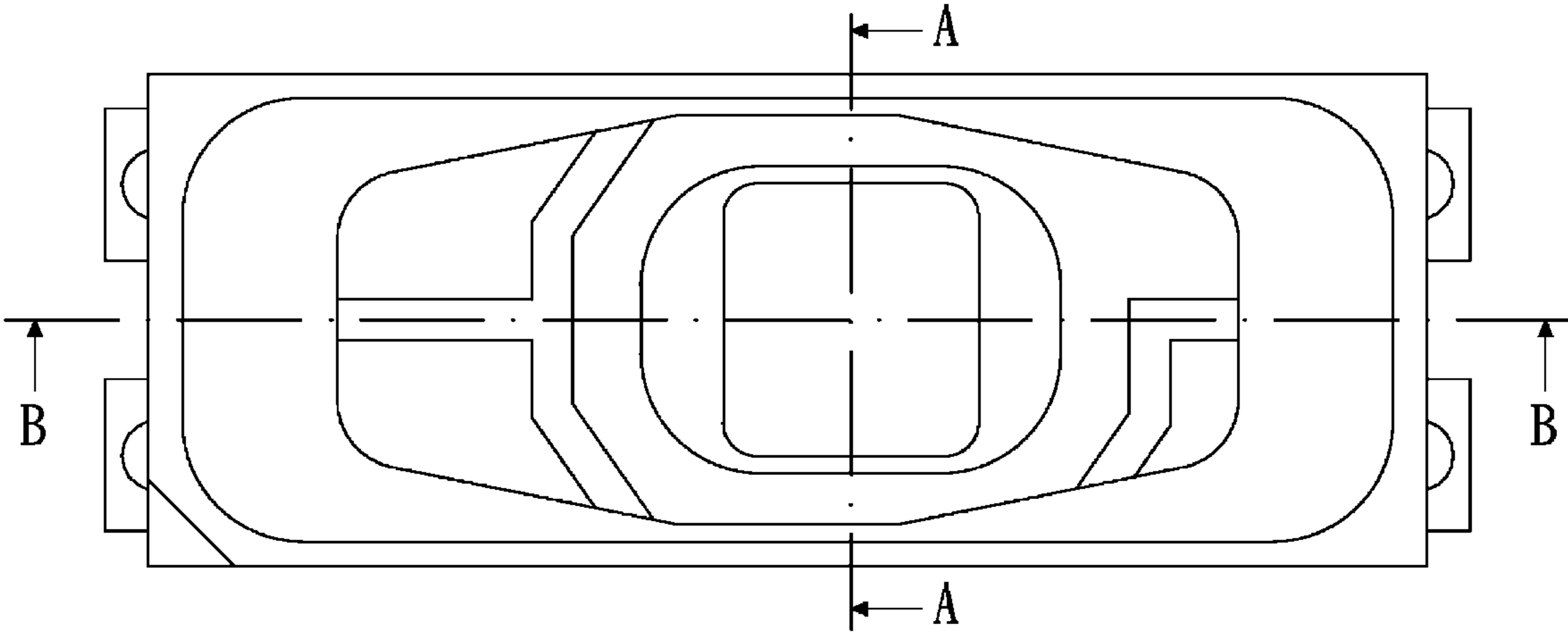


FIG. 4

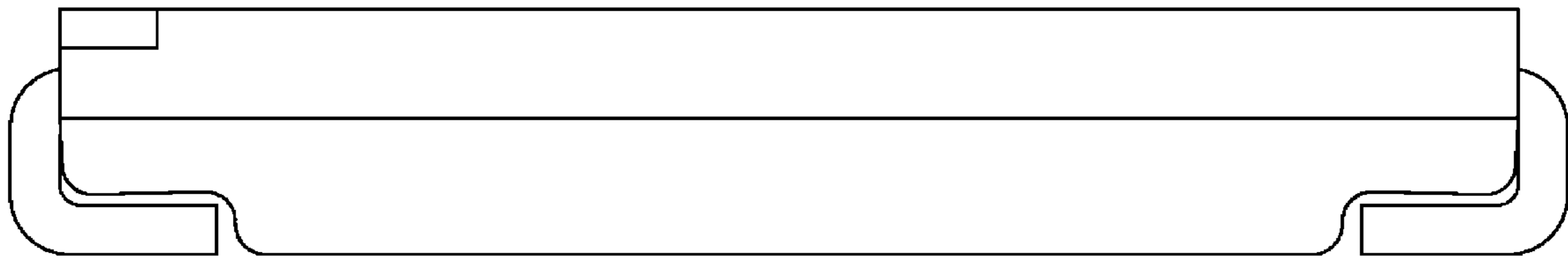


FIG. 5

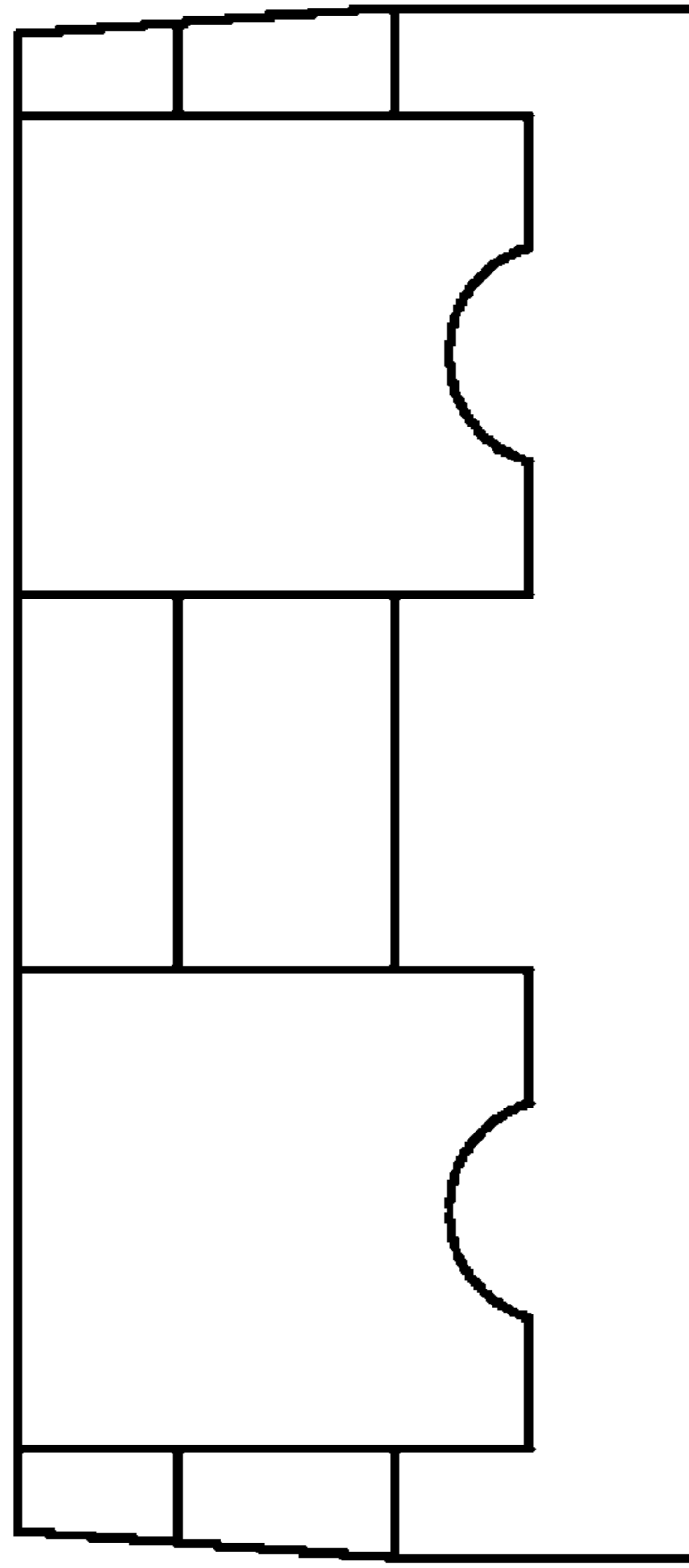


FIG. 6

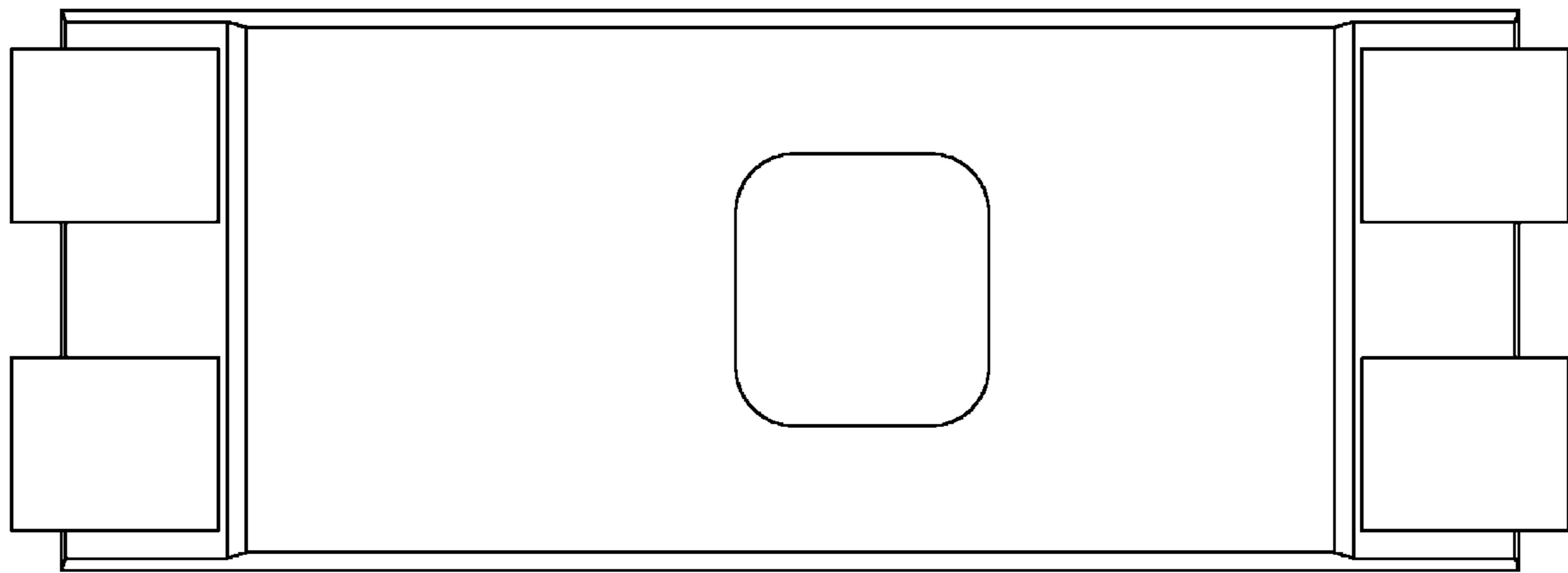


FIG. 7



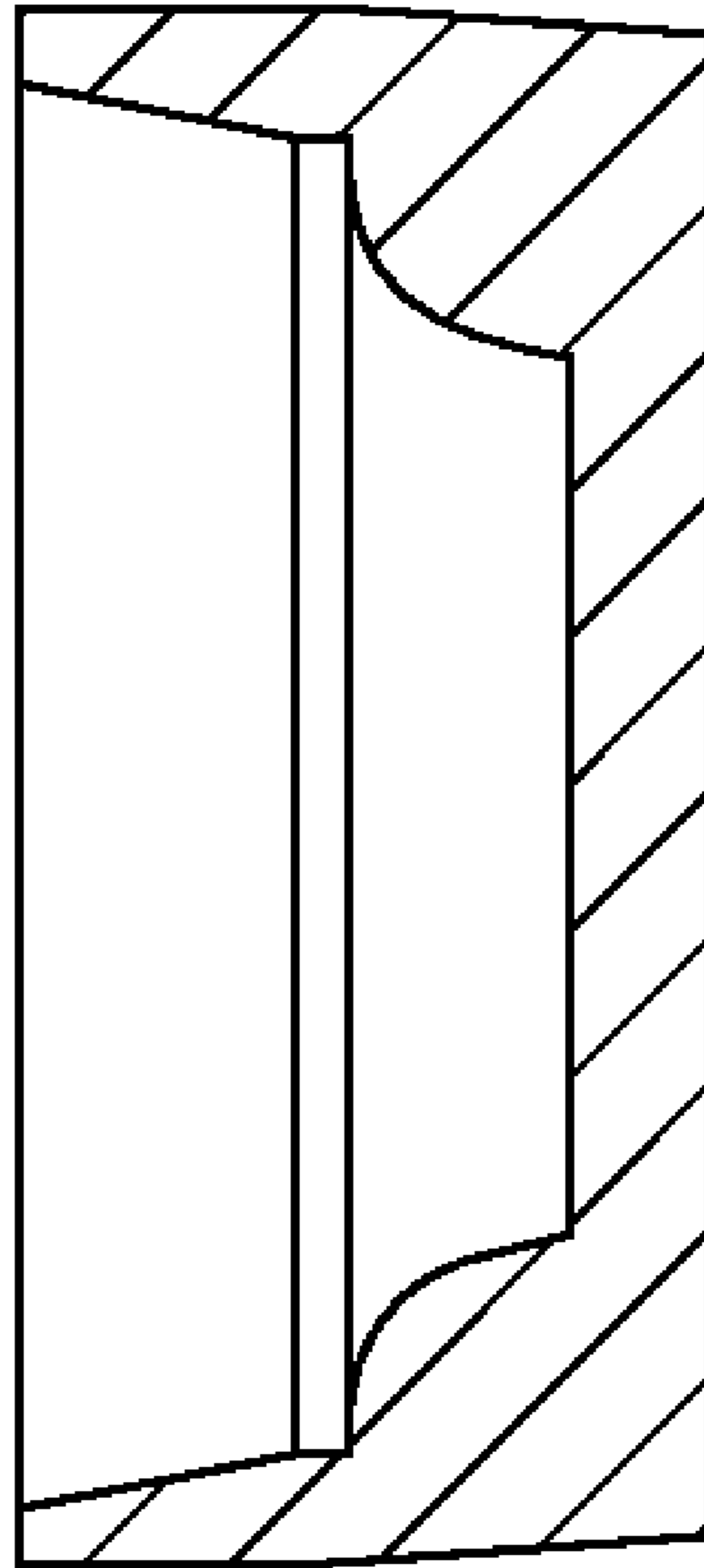


FIG. 8

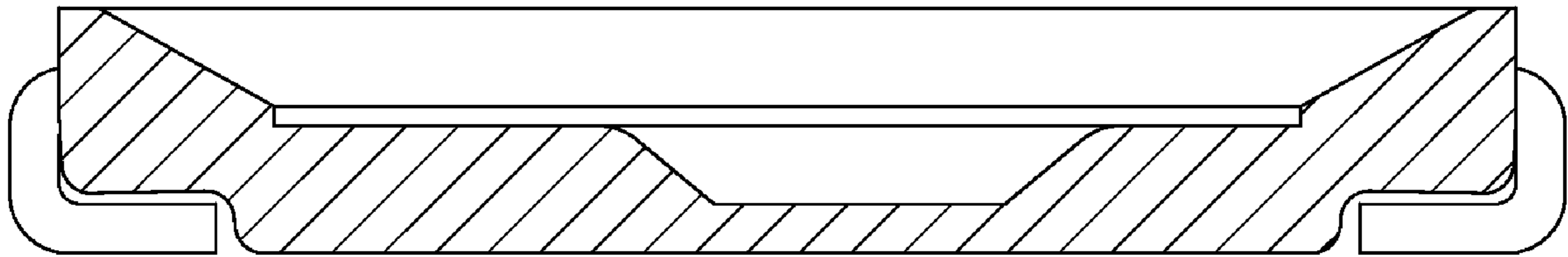


FIG. 9