



US00D634282S

(12) **United States Design Patent**
Wilson

(10) **Patent No.:** **US D634,282 S**

(45) **Date of Patent:** **** Mar. 15, 2011**

(54) **WEDGE BASED DIRECTED LED ARRAY**

D597,972 S * 8/2009 Kobayakawa D13/180
D619,974 S * 7/2010 Bianco et al. D13/180
D621,801 S * 8/2010 Hsieh D13/180

* cited by examiner

(76) Inventor: **Gregg Wilson**, Goleta, CA (US)

Primary Examiner — Selina Sikder

(**) Term: **14 Years**

(57) **CLAIM**

(21) Appl. No.: **29/366,922**

The ornamental design for a wedge based directed LED array, as shown and described.

(22) Filed: **Jul. 31, 2010**

DESCRIPTION

(51) **LOC (9) Cl.** **13-03**

(52) **U.S. Cl.** **D13/180**

(58) **Field of Classification Search** D13/180;
D26/2; 257/79, 80, 81, 88, 89, 95, 98, 99,
257/100, E33.058; 313/483, 498, 500; 362/555,
362/800

See application file for complete search history.

FIG. 1 is a front perspective view showing the wedge based directed LED array;

FIG. 2 is a front elevational view of the wedge based directed LED array in accordance with the present invention;

FIG. 3 is a top plan view of the wedge based directed LED array;

FIG. 4 is a side elevational view of the wedge based directed LED array, with an opposite side elevational view being a mirror image; and,

FIG. 5 is a back view of the wedge based directed LED array.

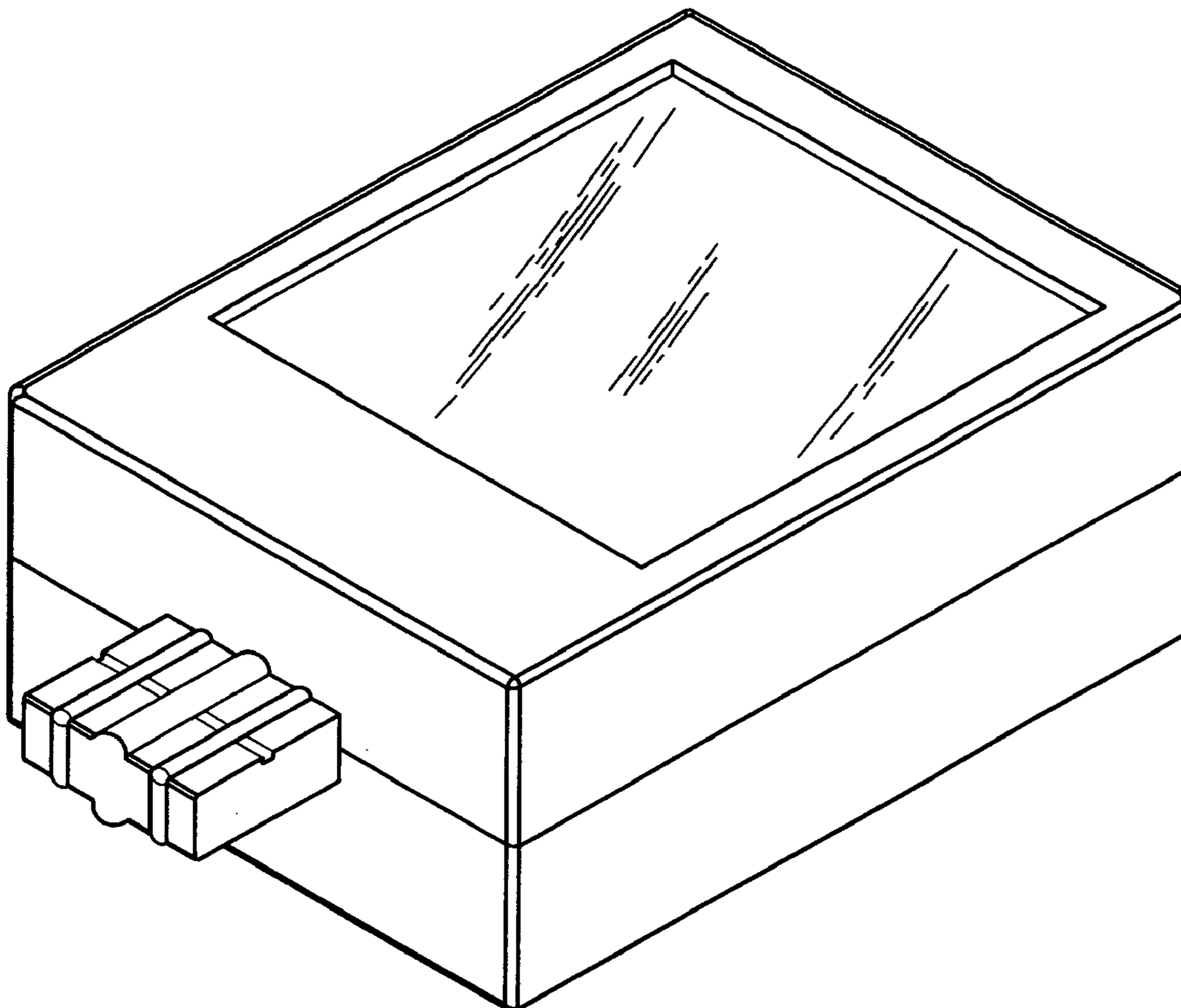
The broken lines in the drawings represent unclaimed environmental subject matter and forms no part of the claimed design.

(56) **References Cited**

U.S. PATENT DOCUMENTS

D503,930 S * 4/2005 Asakawa D13/180
D531,140 S * 10/2006 Konno et al. D13/180
D568,833 S * 5/2008 Li D13/180
D576,570 S * 9/2008 Chen et al. D13/180
D578,969 S * 10/2008 Kobayakawa D13/180

1 Claim, 4 Drawing Sheets



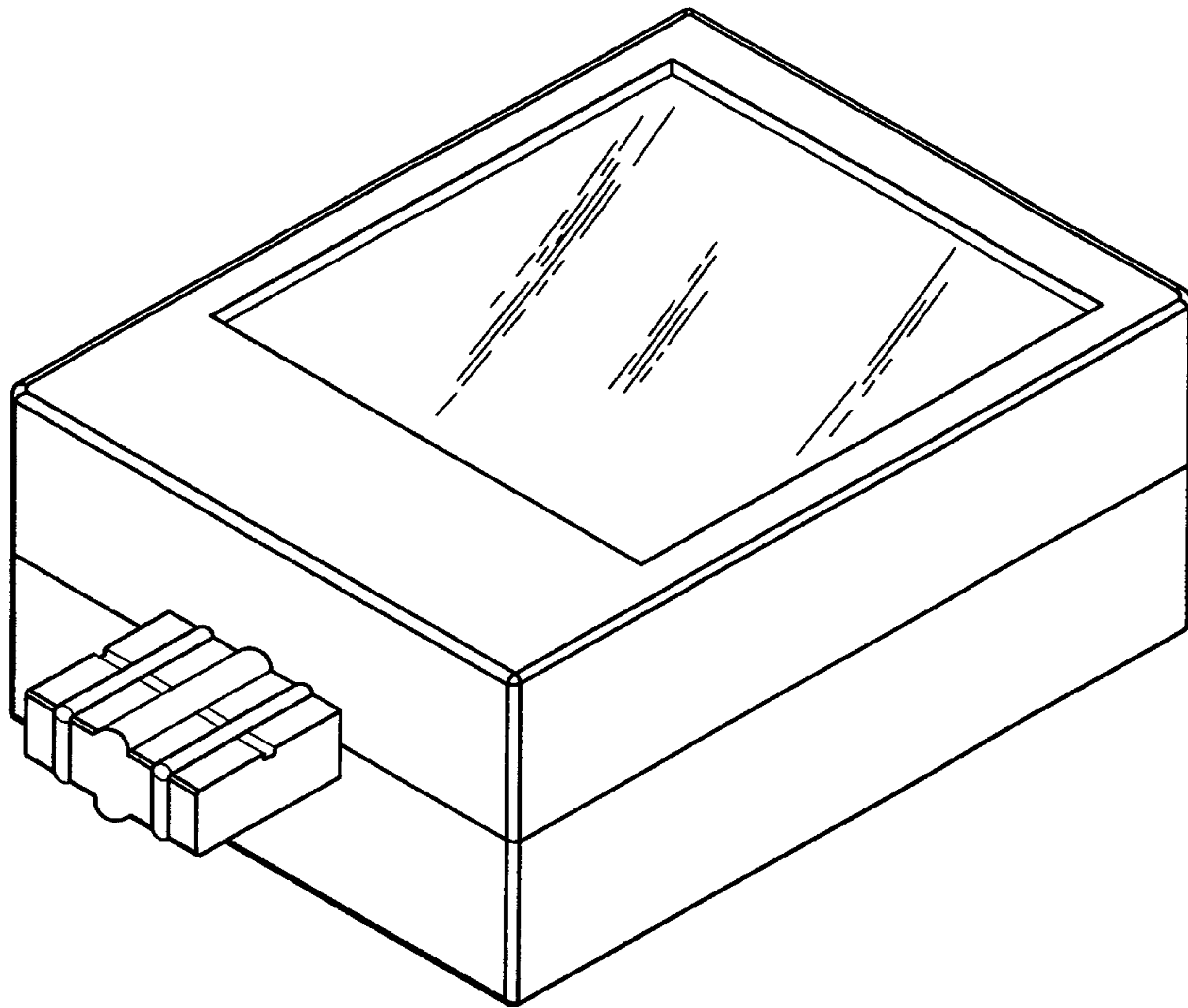


FIG. 1

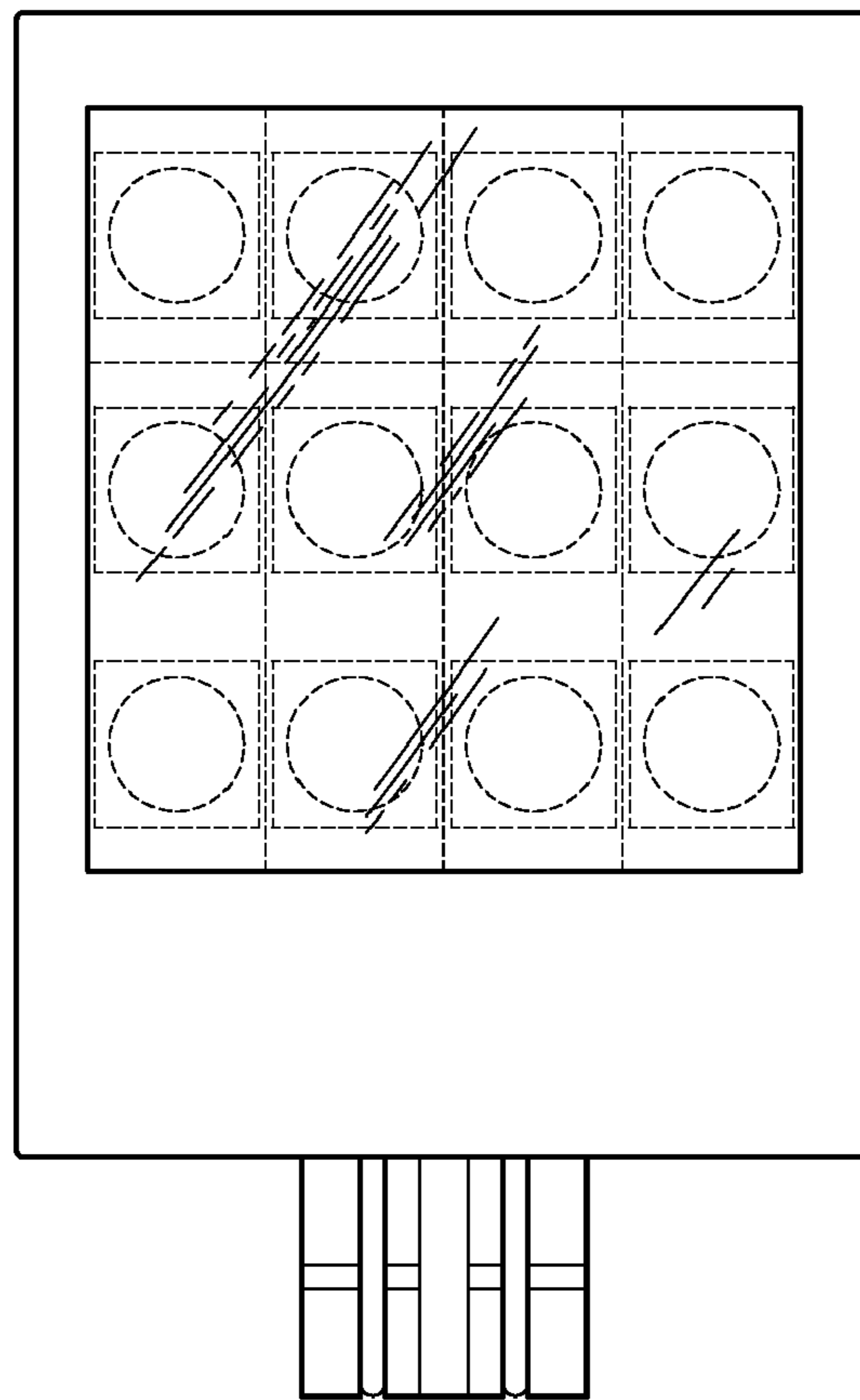


FIG. 2

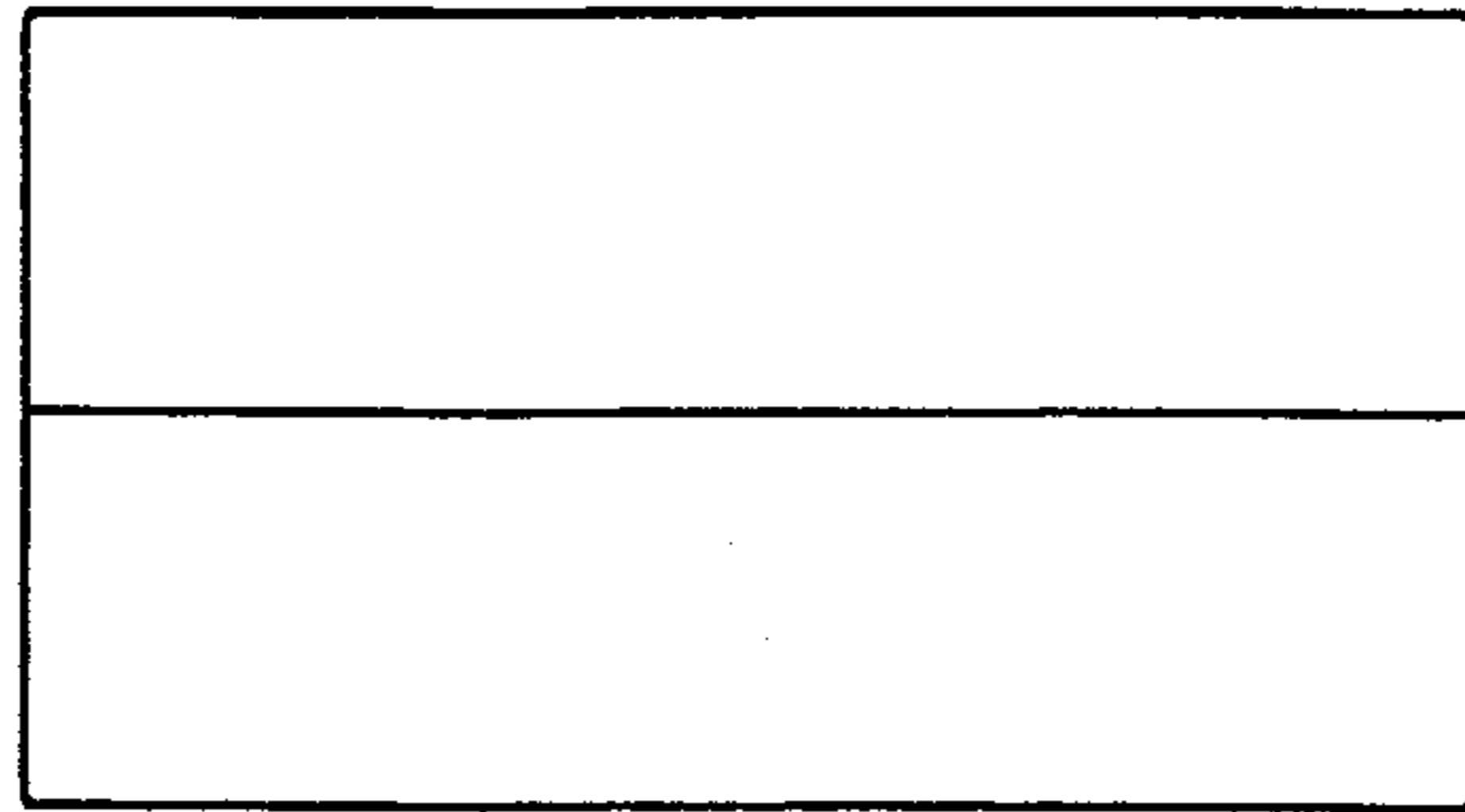


FIG. 3

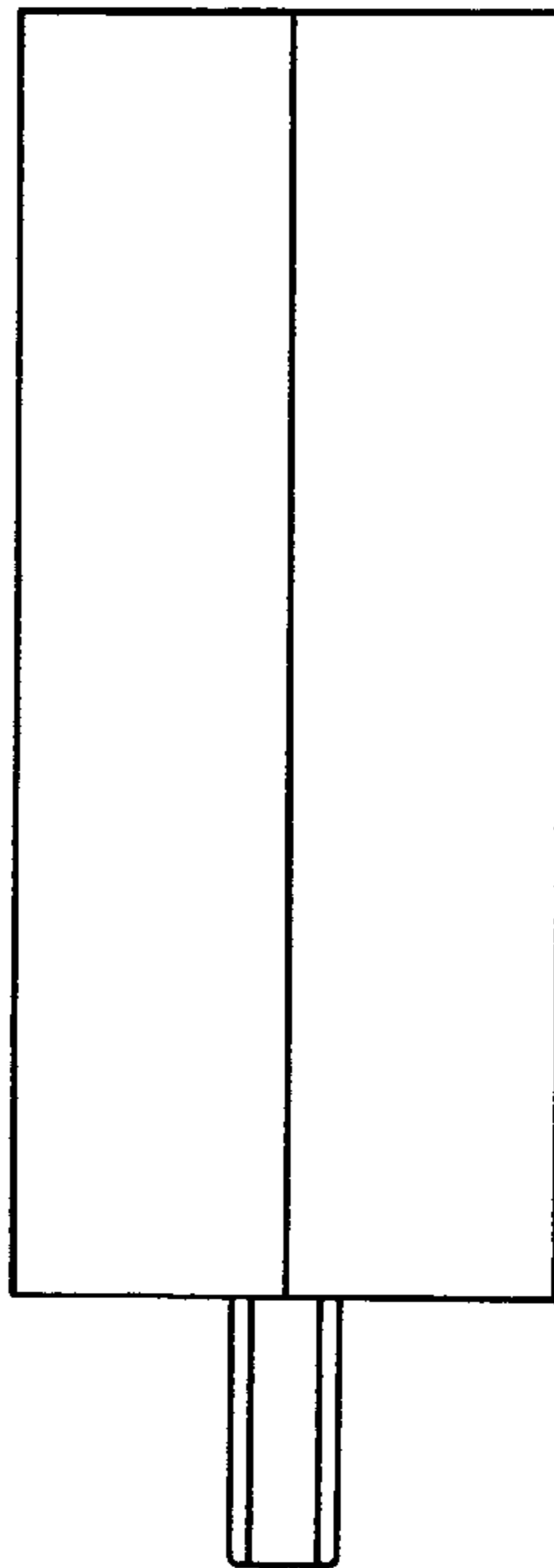


FIG. 4

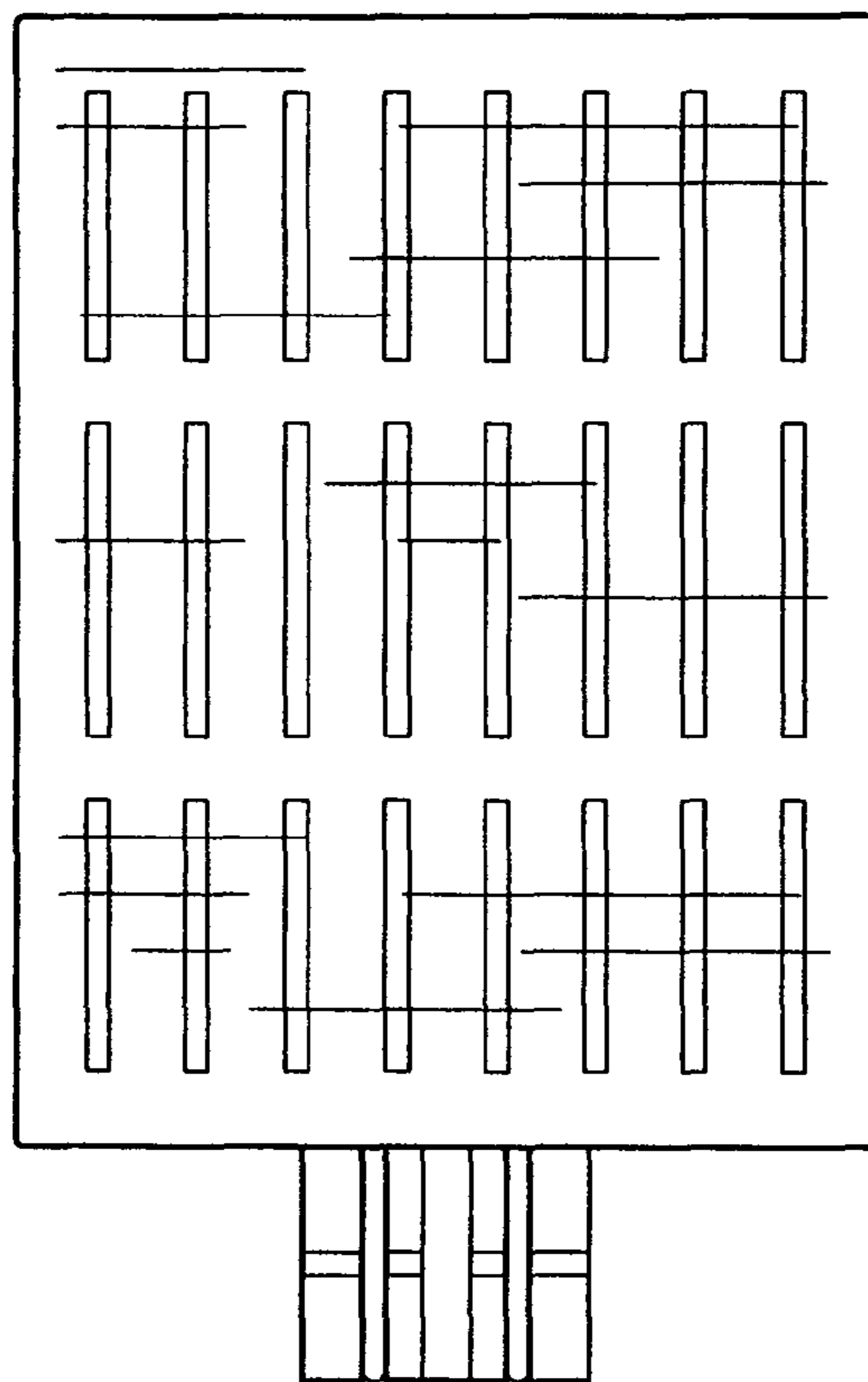


FIG. 5