



US00D634280S

(12) **United States Design Patent**  
**Chua et al.**

(10) **Patent No.:** **US D634,280 S**  
(45) **Date of Patent:** **\*\* Mar. 15, 2011**

(54) **HEAT SINK**

(75) Inventors: **Beng Wah Chua**, Singapore (SG);  
**Raymond Ong**, Singapore (SG); **Meng Kwong Ho**, Singapore (SG); **Su Yin Lim**, Singapore (SG)

(73) Assignee: **Agency for Science, Technology and Research**, Singapore (SG)

(\*\*) Term: **14 Years**

(21) Appl. No.: **29/363,383**

(22) Filed: **Jun. 8, 2010**

(30) **Foreign Application Priority Data**

Dec. 8, 2009 (SG) ..... D2009/1095/E

(51) **LOC (9) Cl.** ..... **13-03**

(52) **U.S. Cl.** ..... **D13/179**

(58) **Field of Classification Search** ..... D13/179;  
165/80.3, 104.33, 151, 122, 185; 257/706,  
257/707, 718-722; 361/687, 695, 697, 700,  
361/702, 704, 709, 710, 711, 719

See application file for complete search history.

(56) **References Cited**

**U.S. PATENT DOCUMENTS**

6,053,240 A \* 4/2000 Johnston et al. .... 165/80.3  
6,942,025 B2 \* 9/2005 Nair et al. .... 165/185  
7,172,017 B2 \* 2/2007 Tan et al. .... 165/185

7,408,777 B2 \* 8/2008 Jeong ..... 361/704  
D616,381 S \* 5/2010 Chang et al. .... D13/179  
7,812,487 B2 \* 10/2010 Bi et al. .... 310/64  
2003/0056938 A1 \* 3/2003 McCullough ..... 165/80.3  
2004/0174678 A1 \* 9/2004 Kojima ..... 361/697  
2005/0063159 A1 \* 3/2005 Ma ..... 361/704  
2006/0042782 A1 \* 3/2006 Chen ..... 165/80.3  
2006/0207746 A1 \* 9/2006 Bhatti et al. .... 165/80.3  
2006/0254750 A1 \* 11/2006 Miyazawa et al. .... 165/80.3

\* cited by examiner

*Primary Examiner* — Selina Sikder

(74) *Attorney, Agent, or Firm* — Kauth, Pomeroy, Peck & Bailey LLP

(57) **CLAIM**

The ornamental design for a heat sink, as shown and described.

**DESCRIPTION**

FIG. 1 is a perspective view of a heat sink in accordance with our design;

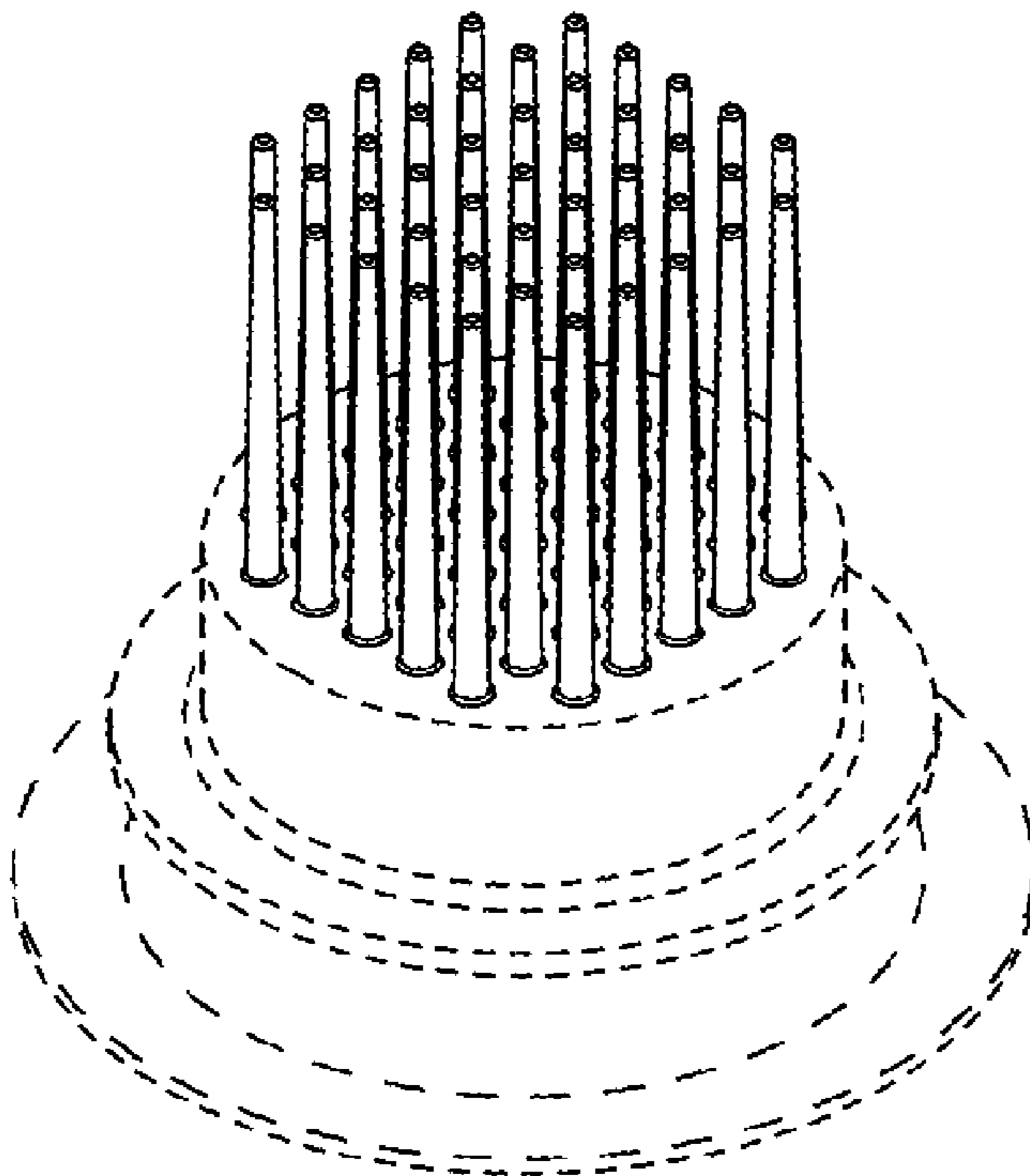
FIG. 2 is a top view thereof;

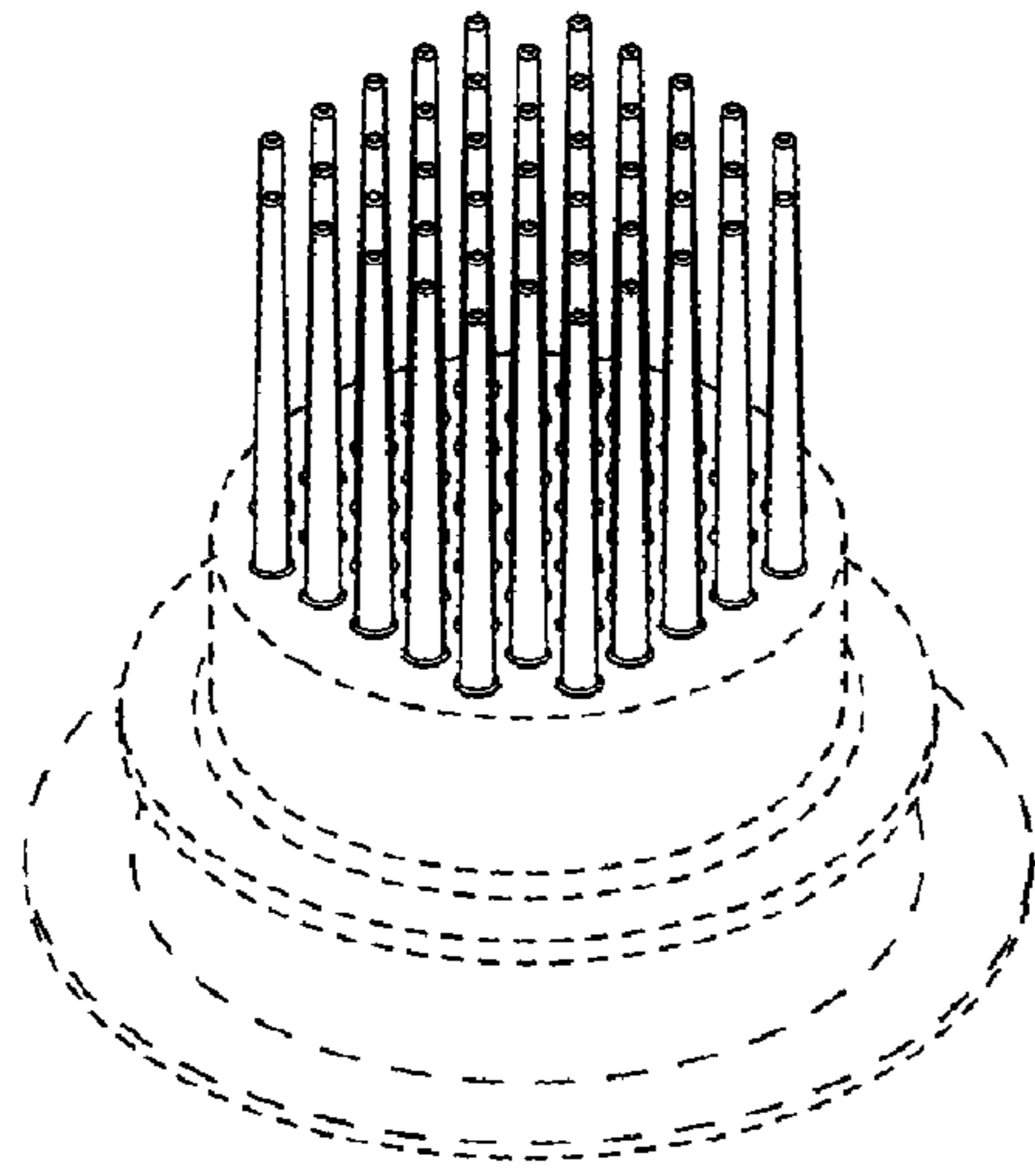
FIG. 3 is a sectional view taken along line 3—3 in FIG. 2; and, FIG. 4 is a bottom view thereof.

The broken line showing portions of the heat sink is for illustrative purposes only and forms no part of the claimed design.

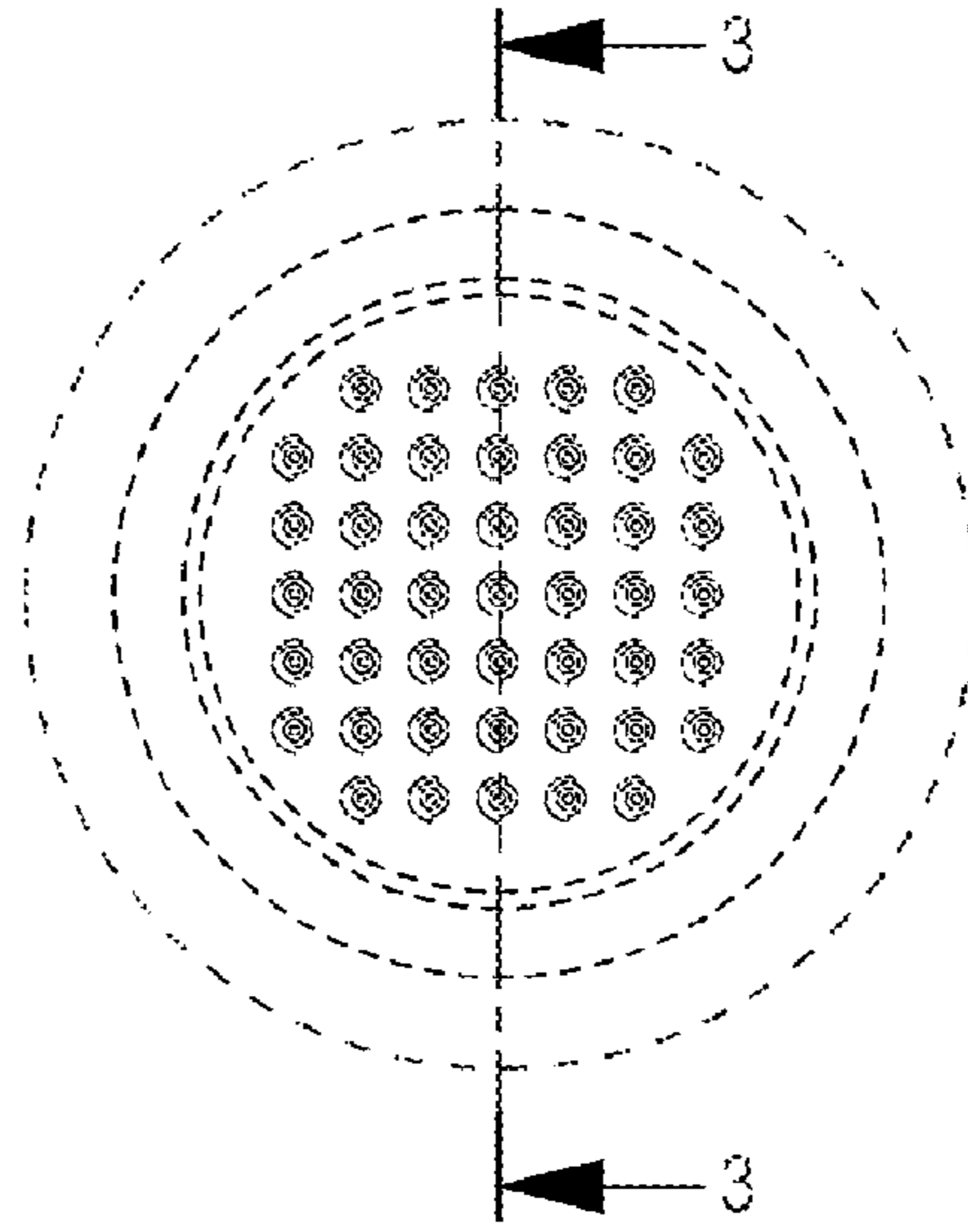
Any shading on the figures is provided only to distinguish between the flat and contoured portions of the device, such shading patterns are not intended to be viewed as part of the claimed heat sink design.

**1 Claim, 1 Drawing Sheet**

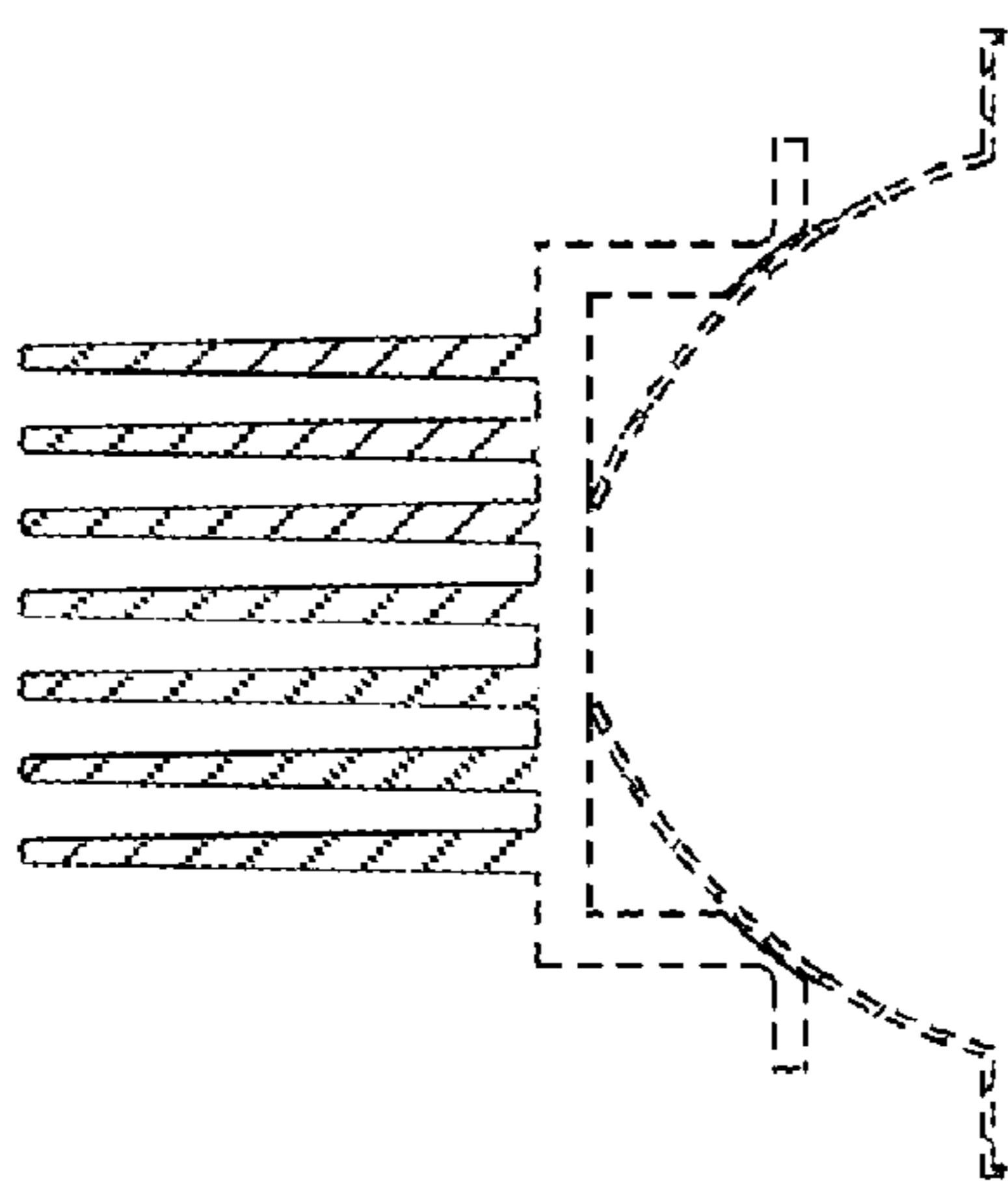




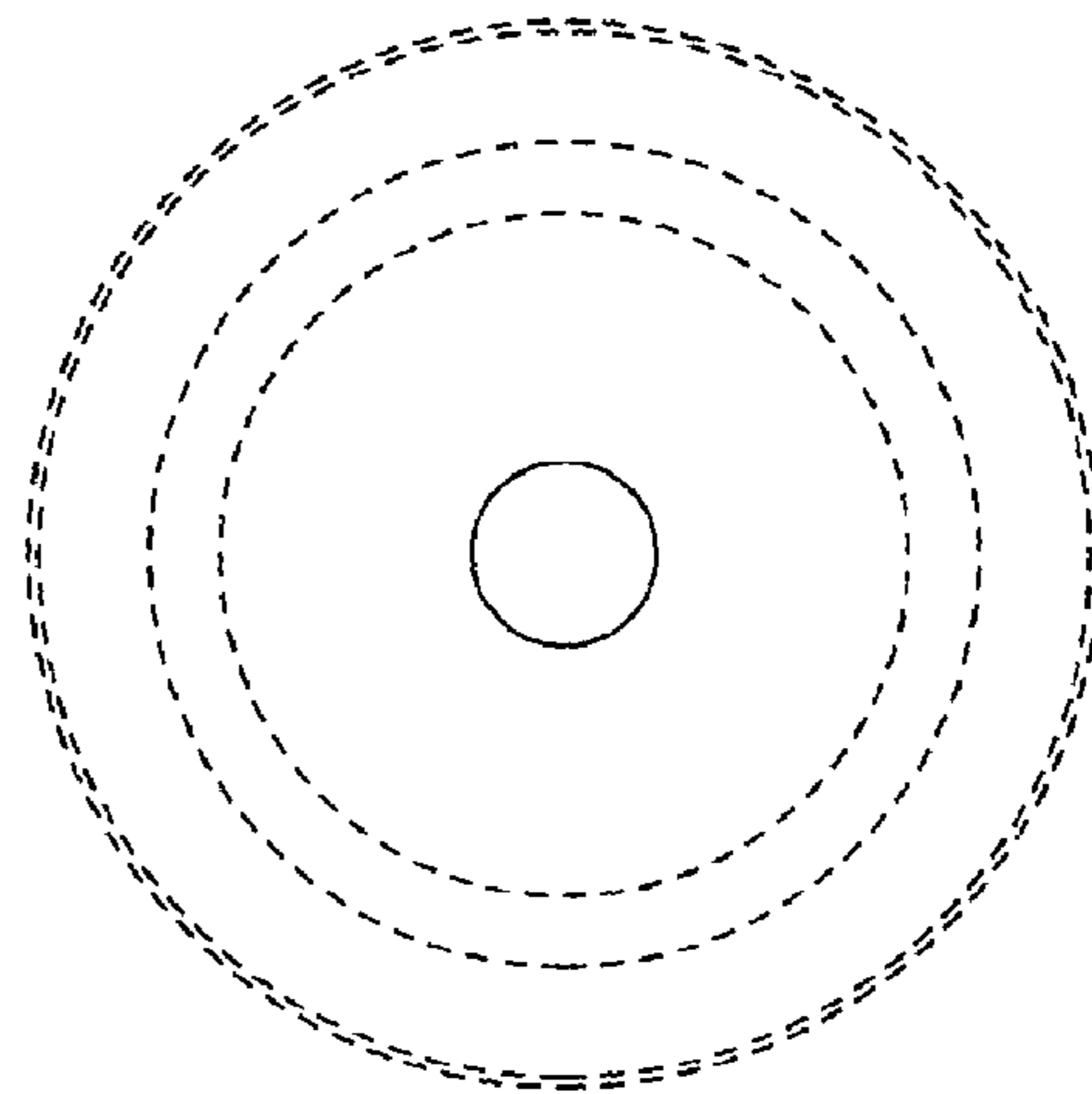
*FIG. 1*



*FIG. 1*



*FIG. 3*



*FIG. 4*