

US00D634279S

(12) **United States Design Patent**
Chua et al.

(10) **Patent No.:** **US D634,279 S**
(45) **Date of Patent:** **** Mar. 15, 2011**

(54) **HEAT SINK**

(75) Inventors: **Beng Wah Chua**, Singapore (SG);
Raymond Ong, Singapore (SG); **Meng Kwong Ho**, Singapore (SG); **Su Yin Lim**, Singapore (SG)

(73) Assignee: **Agency for Science, Technology and Research**, Singapore (SG)

(**) Term: **14 Years**

(21) Appl. No.: **29/363,378**

(22) Filed: **Jun. 8, 2010**

(30) **Foreign Application Priority Data**

Dec. 8, 2009 (SG) D2009/1094/I

(51) **LOC (9) Cl.** **13-03**

(52) **U.S. Cl.** **D13/179**

(58) **Field of Classification Search** D13/179;
165/80.3, 104.33, 151, 122, 185; 257/706,
257/707, 718-722; 361/687, 695, 697, 700,
361/702, 704, 709, 710, 711, 719
See application file for complete search history.

(56) **References Cited**

U.S. PATENT DOCUMENTS

3,239,003 A * 3/1966 Boudette et al. 165/185
4,715,438 A * 12/1987 Gabuzda et al. 165/185
6,330,908 B1 * 12/2001 Lee et al. 165/185
6,479,895 B1 * 11/2002 Lee et al. 257/720

D481,688 S * 11/2003 Lee et al. D13/179
D490,383 S * 5/2004 Tan et al. D13/179
6,948,555 B1 * 9/2005 Garcia 165/80.3
7,408,777 B2 * 8/2008 Jeong 361/704
D579,421 S * 10/2008 Chu D13/179
2003/0007867 A1 * 1/2003 Chang 415/220

* cited by examiner

Primary Examiner — Selina Sikder

(74) *Attorney, Agent, or Firm* — Kauth, Pomeroy, Peck & Bailey LLP

(57) **CLAIM**

The ornamental design for a heat sink, as shown and described.

DESCRIPTION

FIG. 1 is a perspective view of a heat sink in accordance with our design;

FIG. 2 is a top view thereof;

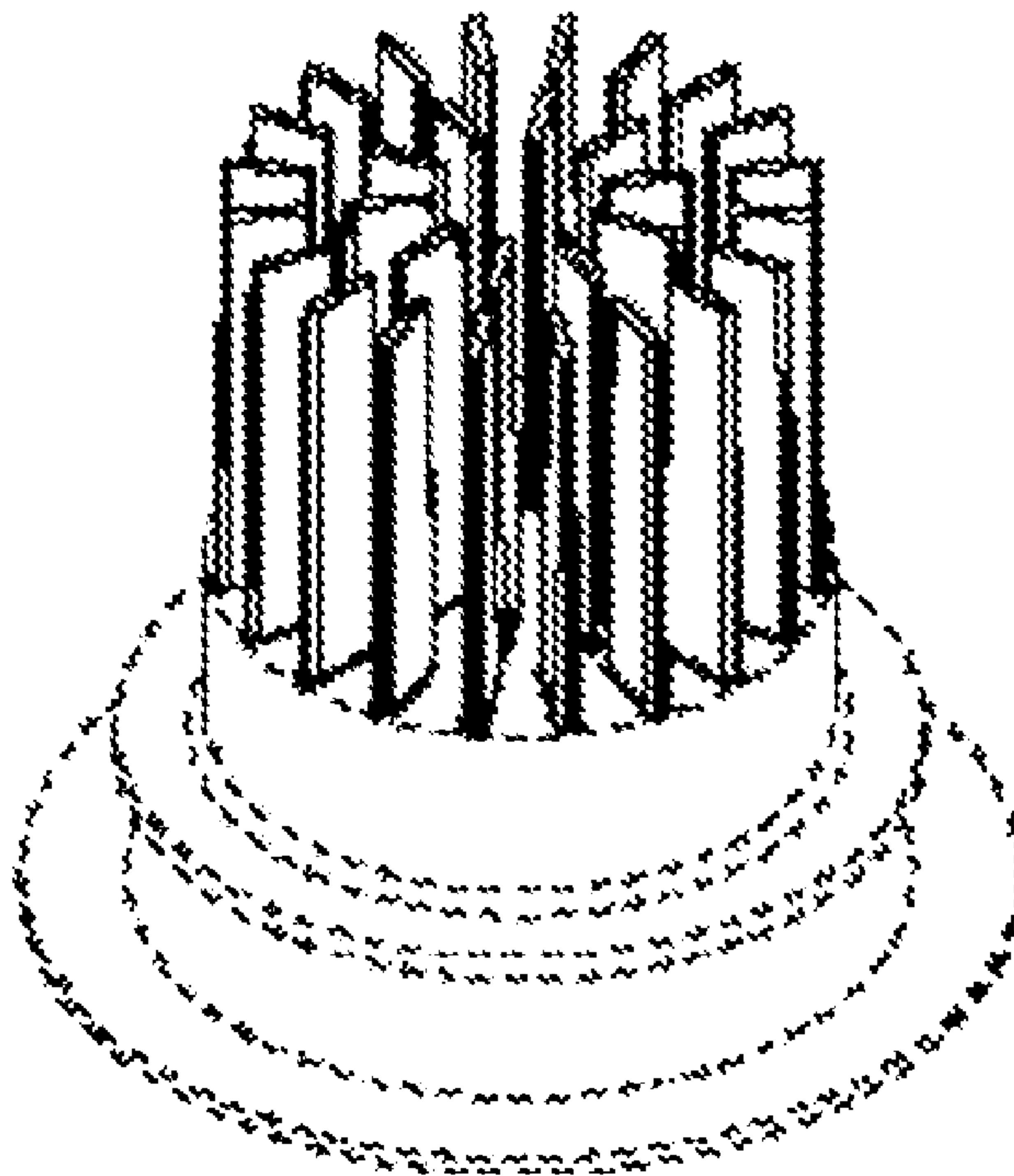
FIG. 3 is a sectional view taken along line 3—3 shown in FIG. 2; and,

FIG. 4 is a bottom view thereof.

Any shading on the figures is provided only to distinguish between the flat and contoured portions of the device, such shading patterns are not intended to be viewed as part of the claimed heat sink design.

The broken line showing portions of the heat sink is for illustrative purposes only and forms no part of the claimed design.

1 Claim, 1 Drawing Sheet



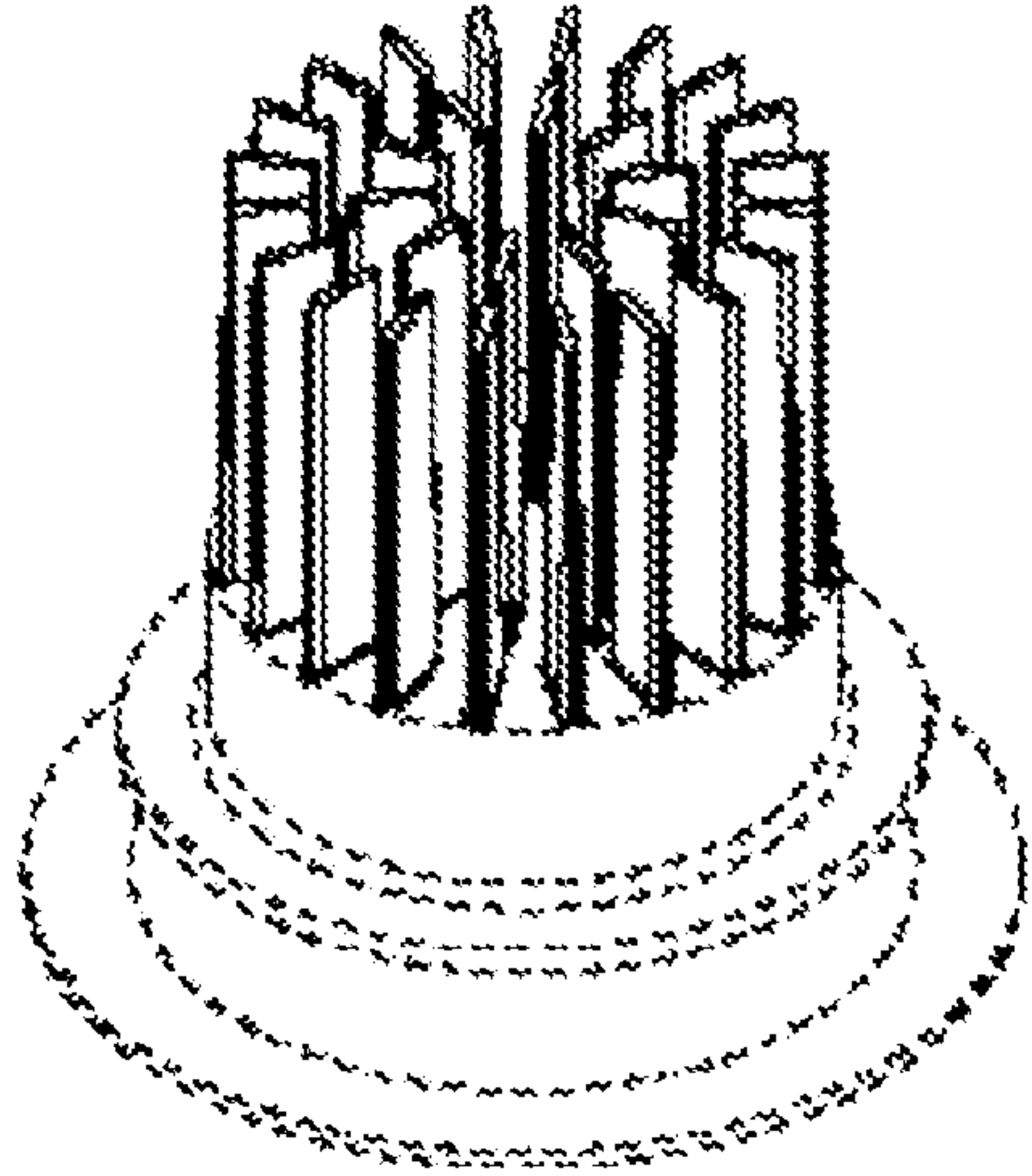


FIG. 1

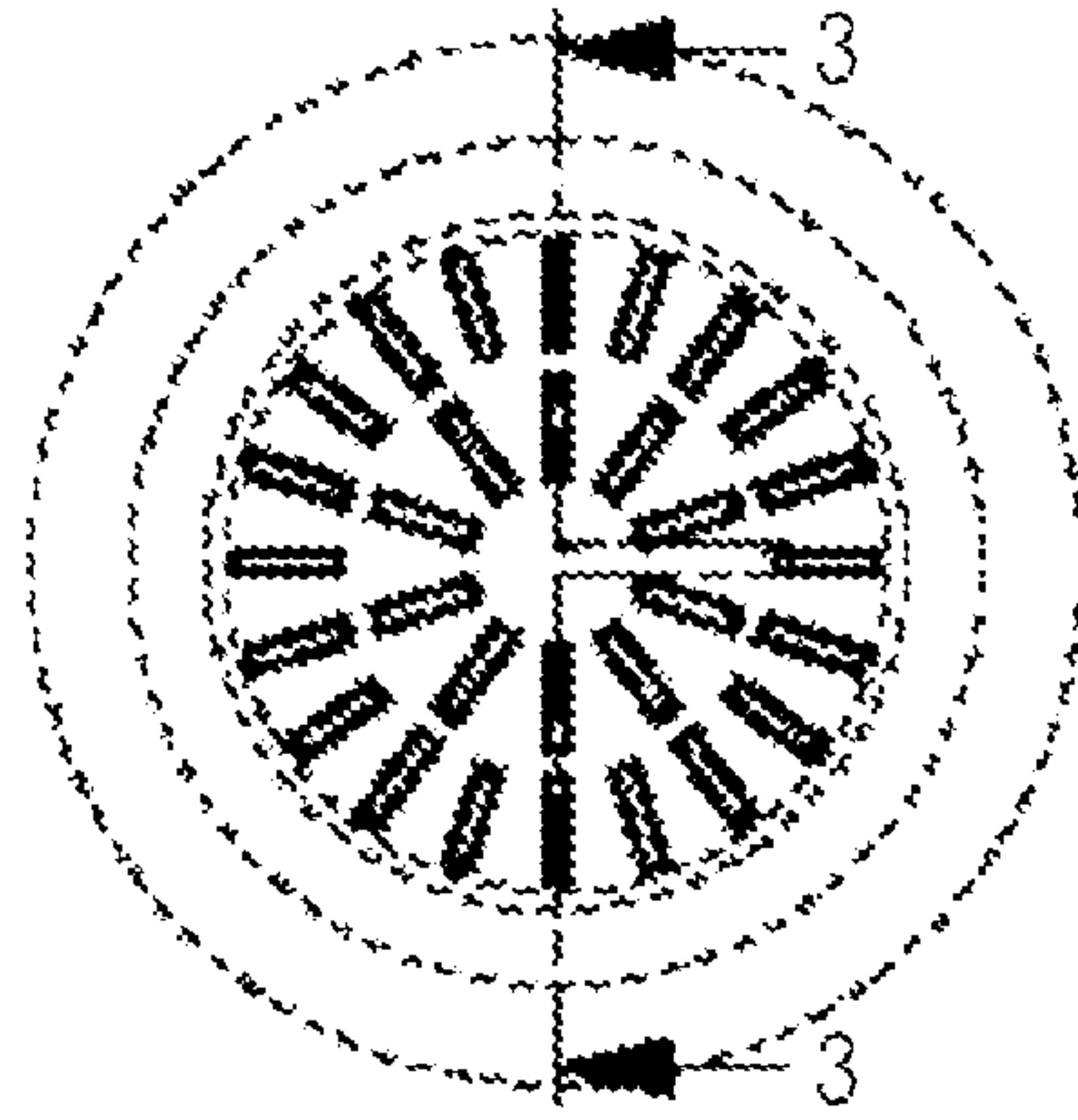


FIG. 2

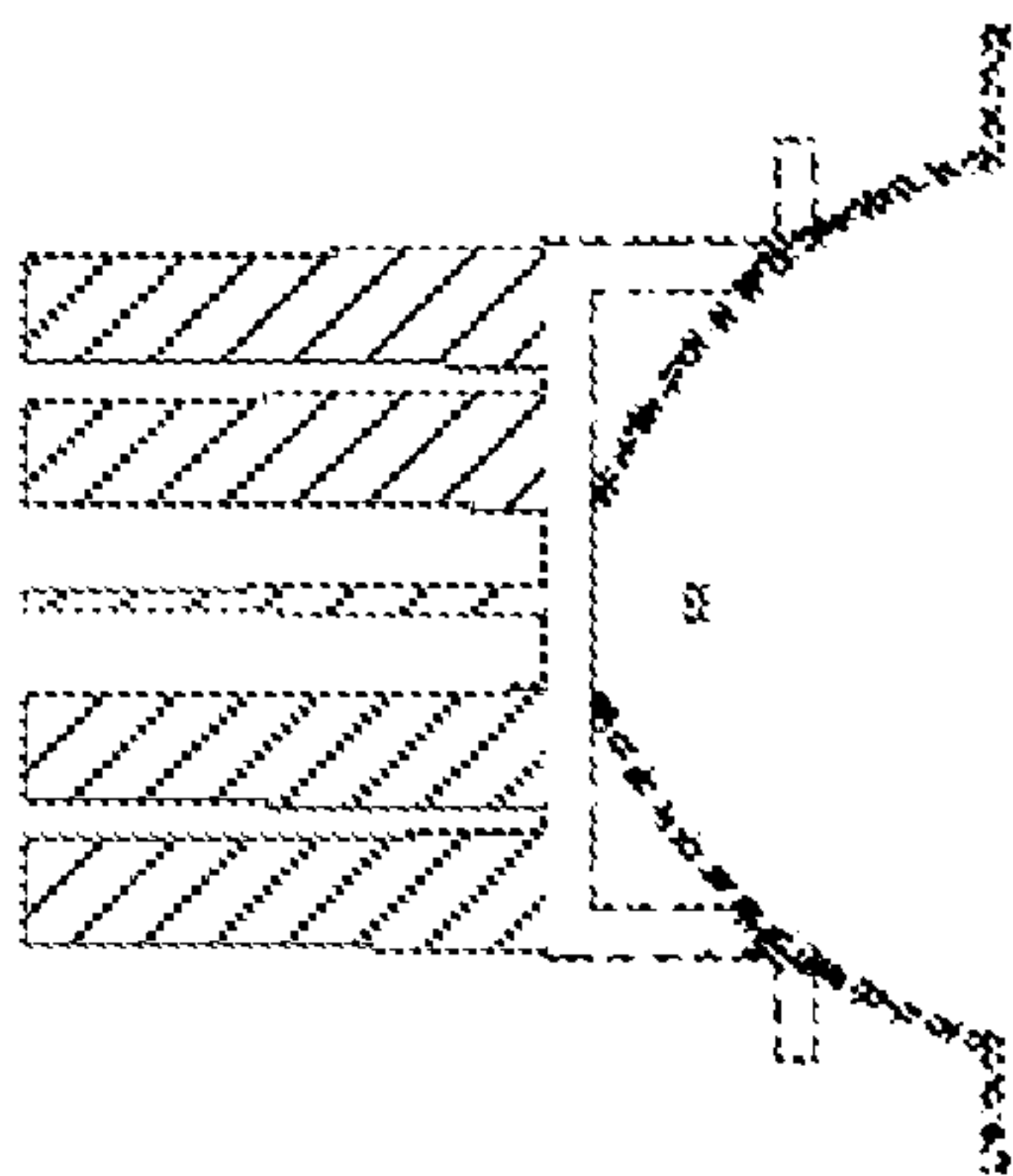


FIG. 3

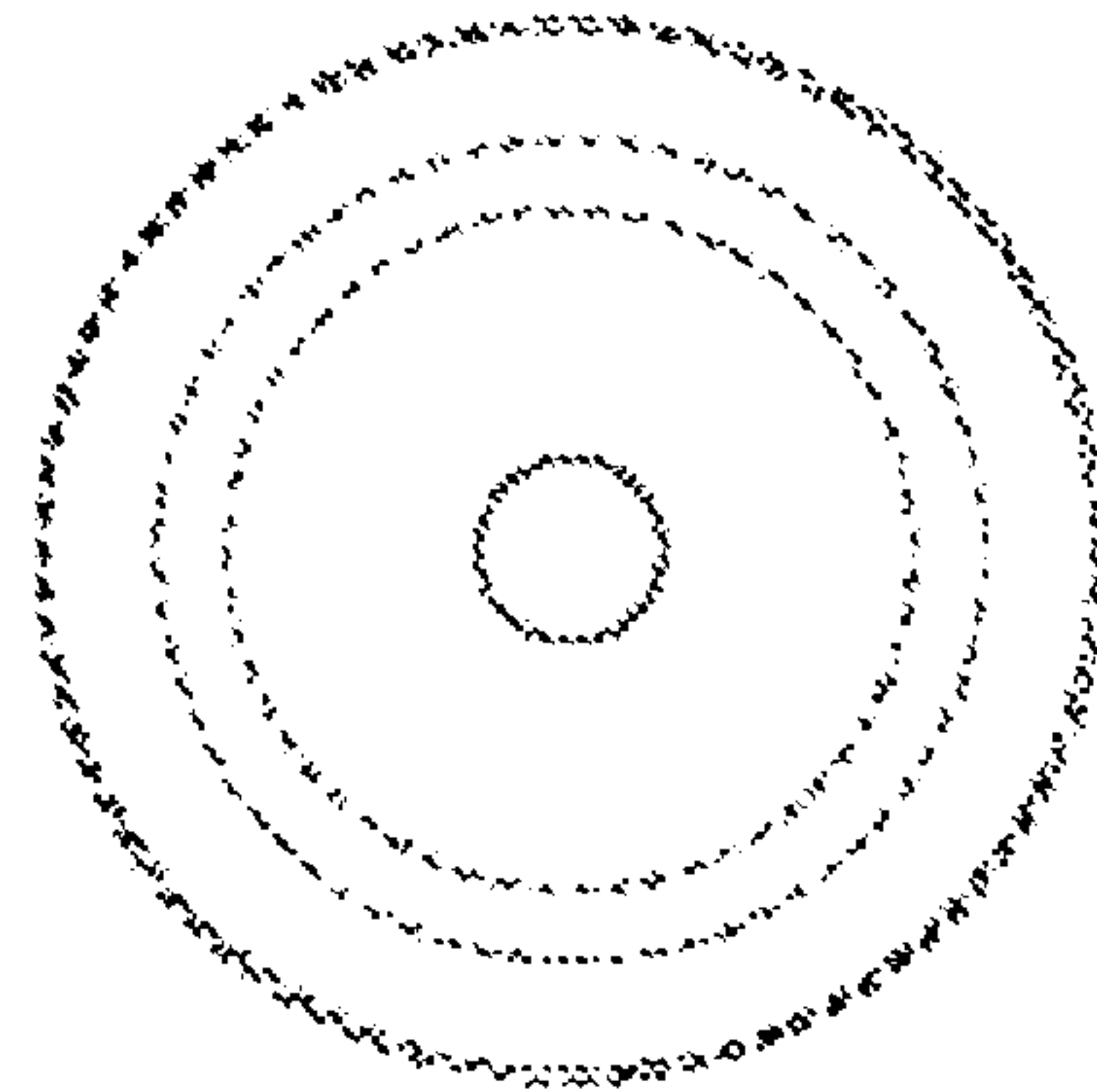


FIG. 4