



US00D634276S

(12) **United States Design Patent**  
**Chou**

(10) **Patent No.:** **US D634,276 S**  
(45) **Date of Patent:** **\*\* \*Mar. 15, 2011**

(54) **ELECTRICAL DEVICE**

(75) Inventor: **Cheng-Lung Chou**, Great Neck, NY  
(US)

(73) Assignee: **Leviton Manufacturing Co., Inc.**,  
Melville, NY (US)

(\*\*) Term: **14 Years**

(21) Appl. No.: **29/338,204**

(22) Filed: **Jun. 5, 2009**

(51) **LOC (9) Cl.** ..... **13-03**

(52) **U.S. Cl.** ..... **D13/162; D13/177**

(58) **Field of Classification Search** ..... D13/158,  
D13/162, 164, 168, 177, 184, 199; D14/388,  
D14/485-495; D12/192-195; D8/302, 315;  
200/1 R, 5 R, 52 R, 81 R, 81.4, 83, 83 Q,  
200/315, 310, 6 A, 302.1, 308, 314, 317,  
200/520; 296/153; 297/411.21; 307/10.1;  
362/501, 23, 276, 29, 464, 802, 85; D18/24-33;  
D19/6, 9, 10, 52; D20/11; D21/324-333;  
715/700-867, 973-977; D10/85, 96; D23/233  
See application file for complete search history.

(56) **References Cited**

**U.S. PATENT DOCUMENTS**

3,473,107	A	10/1969	Watson
3,555,367	A	1/1971	Balchunas
3,598,937	A	8/1971	Balchunas
3,711,761	A	1/1973	Watson
3,740,680	A	6/1973	Schneidinger
3,939,361	A	2/1976	Aidala et al.
3,979,601	A	9/1976	Franklin
3,988,553	A	10/1976	Astle
4,002,925	A	1/1977	Monahan
4,112,313	A	9/1978	Kutin
4,194,182	A	3/1980	Martin

(Continued)

**FOREIGN PATENT DOCUMENTS**

CA 124072 8/2008

(Continued)

**OTHER PUBLICATIONS**

Intermatic Model DT500CH Series Digital Timer, Installation and User Instructions, Jun. 4, 2009, Intermatic Incorporated, Spring Grove, Illinois, US.

(Continued)

*Primary Examiner* — Thomas J Johannes

(74) *Attorney, Agent, or Firm* — Marger Johnson & McCollom PC

(57) **CLAIM**

The ornamental design for an electrical device, as shown and described.

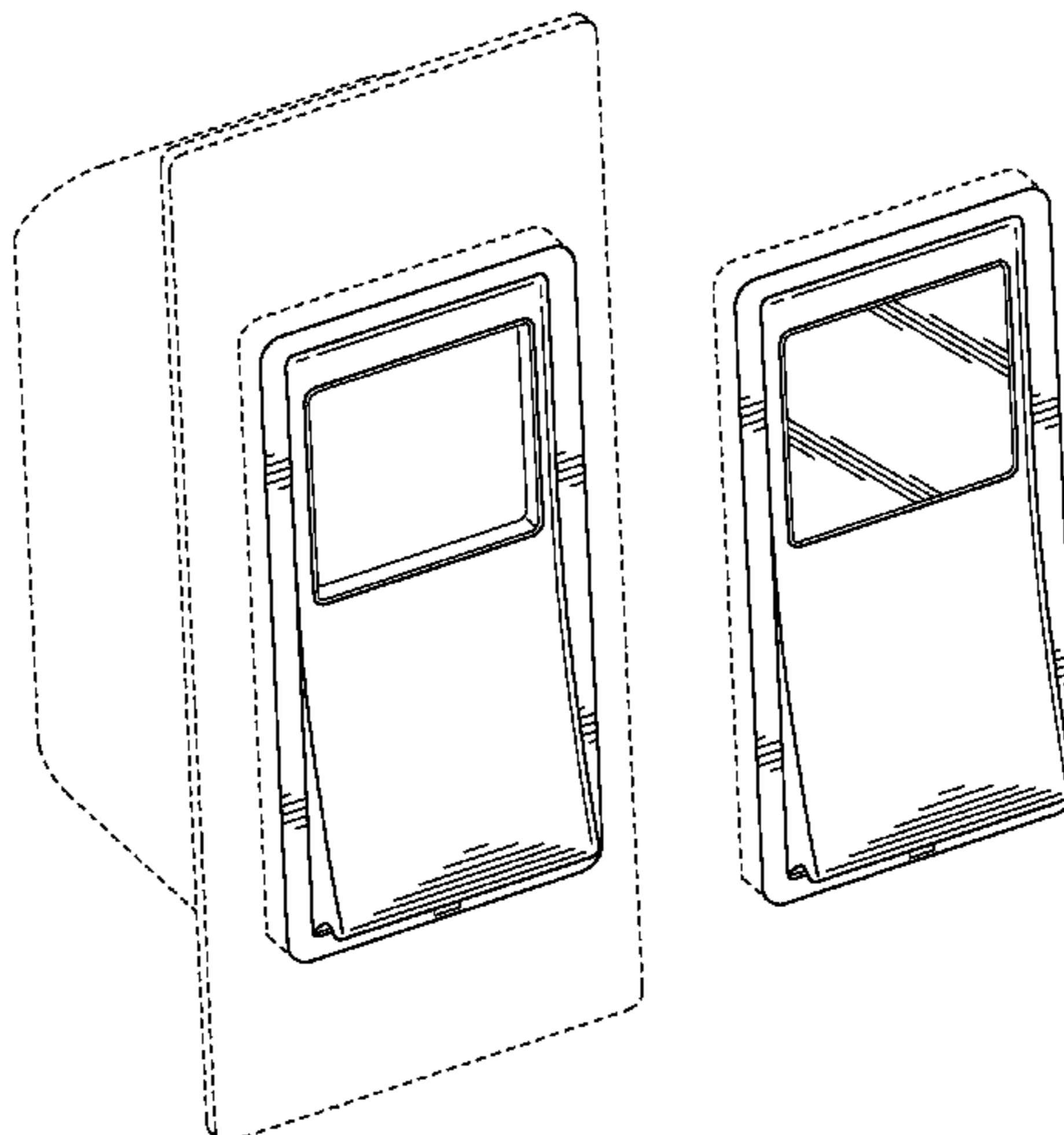
**DESCRIPTION**

A portion of the disclosure of this patent document contains material which is subject to copyright protection. The copyright owner has no objection to the facsimile reproduction by anyone of the patent disclosure, as it appears in the Patent and Trademark Office patent files or records, but others reserves all copyright right whatsoever.

FIG. 1 is a front elevation view of a first embodiment of an electrical device showing my new design;  
FIG. 2 is a left side elevation view thereof;  
FIG. 3 is a right side elevation view thereof;  
FIG. 4 is a top plan view thereof;  
FIG. 5 is a bottom plan view thereof;  
FIG. 6 is a front perspective view thereof;  
FIG. 7 is a front elevation view of a second embodiment of an electrical device showing my new design;  
FIG. 8 is a left side elevation view thereof;  
FIG. 9 is a right side elevation view thereof;  
FIG. 10 is a top plan view thereof;  
FIG. 11 is a bottom plan view thereof; and,  
FIG. 12 is a front perspective view thereof.

The broken lines in the drawings show unclaimed subject matter only and form no part of the claimed design.

**1 Claim, 7 Drawing Sheets**



# US D634,276 S

## U.S. PATENT DOCUMENTS

4,336,464	A	6/1982	Weber	
4,338,562	A	7/1982	Terwilliger	
4,349,748	A	9/1982	Goldstein et al.	
4,360,739	A	11/1982	Goldstein	
4,368,408	A	1/1983	Marcus	
D268,025	S *	2/1983	Bevilaqua et al.	D13/164
D268,668	S *	4/1983	Bevilaqua et al.	D13/164
4,422,018	A	12/1983	Bailey	
4,439,688	A	3/1984	Schornack	
D273,488	S	4/1984	Rosenbaum et al.	
D273,581	S	4/1984	Rosenbaum et al.	
4,440,503	A	4/1984	Arichi et al.	
4,494,012	A	1/1985	Coker	
RE31,848	E	3/1985	Nilssen	
4,533,972	A	8/1985	Ohashi	
D285,419	S	9/1986	Schwartz	
4,668,878	A	5/1987	Wyss	
4,712,019	A	12/1987	Nilssen	
D294,043	S *	2/1988	Haines	D21/362
4,777,384	A	10/1988	Altenhof et al.	
4,835,413	A	5/1989	Nilssen	
4,922,407	A	5/1990	Birk et al.	
4,950,913	A	8/1990	Kephart	
5,059,871	A	10/1991	Pearlman et al.	
D321,855	S *	11/1991	Ross, Jr.	D13/107
5,063,355	A	11/1991	Sasaki et al.	
5,088,071	A	2/1992	Miyamoto et al.	
5,160,853	A	11/1992	Simon et al.	
5,191,265	A	3/1993	D'Aleo et al.	
5,258,656	A	11/1993	Pawlick	
5,397,930	A	3/1995	Nilssen	
5,430,356	A	7/1995	Ference et al.	
5,508,878	A	4/1996	Pecore	
5,530,322	A	6/1996	Ference et al.	
D380,396	S	7/1997	Svarnias et al.	
D380,403	S	7/1997	Svarnias et al.	
5,650,716	A	7/1997	Kim	
5,662,213	A	9/1997	Kattler et al.	
D386,430	S	11/1997	Czerlanis et al.	
D389,073	S	1/1998	Schmidt et al.	
5,715,214	A	2/1998	Svarnias	
D402,902	S	12/1998	Chen	
D402,903	S	12/1998	Chen	
D406,775	S	3/1999	Kadono	
D408,303	S	4/1999	Janda et al.	
D409,505	S	5/1999	Janda et al.	
D418,497	S *	1/2000	Howard, III et al.	D14/489
6,011,755	A	1/2000	Mulhall et al.	
6,046,550	A	4/2000	Ference et al.	
6,121,889	A	9/2000	Janda et al.	
D435,524	S *	12/2000	Korhonen	D13/184
D445,745	S *	7/2001	Norman	D12/192
6,262,496	B1	7/2001	Lamar et al.	
6,262,497	B1	7/2001	Muroi et al.	
D449,235	S	10/2001	Stekelenburg	
D449,541	S	10/2001	Stekelenburg	
D450,604	S	11/2001	Stekelenburg	
6,340,868	B1	1/2002	Lys et al.	
D455,359	S	4/2002	Stekelenburg	
6,388,952	B2	5/2002	Kim	
6,429,549	B1	8/2002	Muroi et al.	
6,448,987	B1 *	9/2002	Easty et al.	715/834
D464,360	S *	10/2002	Grundel et al.	D14/485
D464,577	S	10/2002	Timmer et al.	
D467,821	S	12/2002	Ogawa	
D476,995	S *	7/2003	Kreikemeier et al.	D14/486
D484,817	S	1/2004	Stekelenburg	
D493,471	S *	7/2004	McIntosh	D14/485
6,761,470	B2	7/2004	Sid	
D500,686	S	1/2005	Stekelenburg	
D500,687	S	1/2005	Morrison et al.	
D505,135	S *	5/2005	Sapp et al.	D14/489
6,903,284	B2	6/2005	Dunfield et al.	
6,917,167	B2	7/2005	Courtney et al.	
6,933,686	B1	8/2005	Bishel	
D514,121	S *	1/2006	Johnson	D14/203.7
D518,395	S	4/2006	Yamada	
7,111,952	B2	9/2006	Veskovic	

D530,339	S	10/2006	Hernandez et al.	
D534,875	S *	1/2007	Wu	D13/169
7,166,970	B2	1/2007	Johnson et al.	
D538,822	S *	3/2007	Andre et al.	D14/203.7
7,251,142	B2	7/2007	Lui	
D554,659	S *	11/2007	Hoover et al.	D14/487
D554,660	S *	11/2007	Hoover et al.	D14/487
D554,661	S *	11/2007	Hoover et al.	D14/487
D561,193	S *	2/2008	O'Mullan et al.	D14/489
D566,722	S *	4/2008	Jackson	D14/489
D571,821	S *	6/2008	Amacker	D14/488
7,386,424	B2	6/2008	DeBoer et al.	
D574,395	S *	8/2008	Loretan et al.	D14/487
D576,565	S	9/2008	Chou et al.	
D576,566	S	9/2008	Wu et al.	
D580,451	S *	11/2008	Steele et al.	D14/489
D581,425	S *	11/2008	Jasinski	D14/489
D581,426	S *	11/2008	Jasinski	D14/489
D585,075	S	1/2009	Flynt et al.	
D587,660	S *	3/2009	Lin	D13/169
D589,829	S *	4/2009	Friedli	D10/108
D598,396	S *	8/2009	Lee	D13/162
D598,927	S *	8/2009	Hirsch et al.	D14/485
D602,014	S *	10/2009	Andre et al.	D14/341
D606,028	S *	12/2009	Chou	D13/169
D606,029	S *	12/2009	Chou	D13/169
D608,793	S *	1/2010	Canu-Chiesa	D14/492
D609,650	S *	2/2010	Chou et al.	D13/169
D611,003	S *	3/2010	Muirhead et al.	D13/162
D611,845	S *	3/2010	Sadler et al.	D10/53
D611,899	S *	3/2010	Yang	D13/108
D614,192	S *	4/2010	Takano et al.	D14/486
D614,652	S *	4/2010	Arnell	D14/489
D614,653	S *	4/2010	Arnell	D14/489
D615,100	S *	5/2010	Canu-Chiesa	D14/492
D618,901	S *	7/2010	Leifeld et al.	D3/203.2
D618,902	S *	7/2010	Leifeld et al.	D3/203.2
D618,903	S *	7/2010	Leifeld et al.	D3/203.2
D618,904	S *	7/2010	Leifeld et al.	D3/203.2
D619,350	S *	7/2010	Leifeld et al.	D3/203.2
D619,614	S *	7/2010	O'Mullan et al.	D14/489
D619,800	S *	7/2010	Leifeld et al.	D3/203.2
D619,972	S *	7/2010	Felegy, Jr. et al.	D13/168
2004/0002792	A1	1/2004	Hoffknecht	
2005/0023118	A1	2/2005	Dunfield et al.	
2005/0110416	A1	5/2005	Veskovic	
2006/0125324	A1	6/2006	Lai Lui	
2006/0146652	A1	7/2006	Huizi et al.	
2007/0097793	A1	5/2007	Nguy et al.	
2007/0193863	A1	8/2007	Wu	
2008/0061633	A1	3/2008	Blair et al.	
2008/0077360	A1	3/2008	DeBoer et al.	
2009/0213698	A1	8/2009	Ostrovsky et al.	

## FOREIGN PATENT DOCUMENTS

EP	0167848	B1	8/1988
EP	0156864	B1	11/1988
EP	0316913	A2	5/1989
EP	0376409	A2	7/1990
EP	0141655	B1	2/1991
EP	0259639	B1	2/1991
EP	0394654	B1	2/1993
EP	0745914	B1	3/1999
EP	0730209	B1	4/1999
EP	1734795	A1	12/2006
WO	8102808	A1	10/1981
WO	2004086195	A2	10/2004
WO	2006074118	A2	7/2006

## OTHER PUBLICATIONS

Intermatic Model DT500CL Series Digital Timer, Installation and User Instructions, Jun. 4, 2009, Intermatic Incorporated, Spring Grove, Illinois, US.

NE5C Plug In Photo Control, Product Fact Sheet, Intermatic Incorporated, Spring Grove, IL, Jun. 12, 2002.

DT121C Digital Plug in Timer, Product Fact Sheet, Intermatic Incorporated, Spring Grove, IL, Aug. 1, 2003.

Vizia-RF Scene Capable Plug-in Appliance and Lamp Dimming Modules, Leviton Manufacturing Co., Inc., Little Neck, NY, 2006, 4 pages.

Intermatic General Catalog, Indoor Plug-In Timers, Intermatic Incorporated, Spring Grove, IL, 2008, p. 178.

Model DT500CH Series Digital Timer, Installation and User Instructions, Intermatic Incorporated, Oct. 27, 2009, 4 pages.

Intermatic Model DT500CH Series Digital Timer, Installation and User Instructions, Aug. 12, 2009, Intermatic Incorporated, Spring Grove, Illinois, US.

Intermatic Model DT500CL Series Digital Timer, Installation and User Instructions, Aug. 12, 2009, Intermatic Incorporated, Spring Grove, Illinois, US.

6124H-W, Product Specifications/Info, 2007, Leviton Manufacturing Co., Inc., Melville, NY, US.

Leviton Residential Catalog, 2008, pp. 43-53, 76-77, 198-203 and 213-217, Leviton Manufacturing Co., Inc., Melville, NY, US.

Wireless Wall Switch Receiver and Self-Powered Remote Switch, 2008, Leviton Manufacturing Co., Inc., Melville, NY, US.

Wireless Sensing Solution, 2008, Leviton Manufacturing Co., Inc., Melville, NY, US.

Wireless Occupancy Sensor Products Installation Instructions, 2008, Leviton Manufacturing Co., Inc., Melville, NY, US.

Intermatic Digital In-Wall Timer ST01C, Mar. 2007, 1 page.

Intermatic Electronic 7-Day In-Wall Time Switch, E1500 Series, 2003, 6 pages.

Intermatic Electronic In-Wall Time Switch, E1 Series, Sep. 9, 2010, 4 pages.

\* cited by examiner

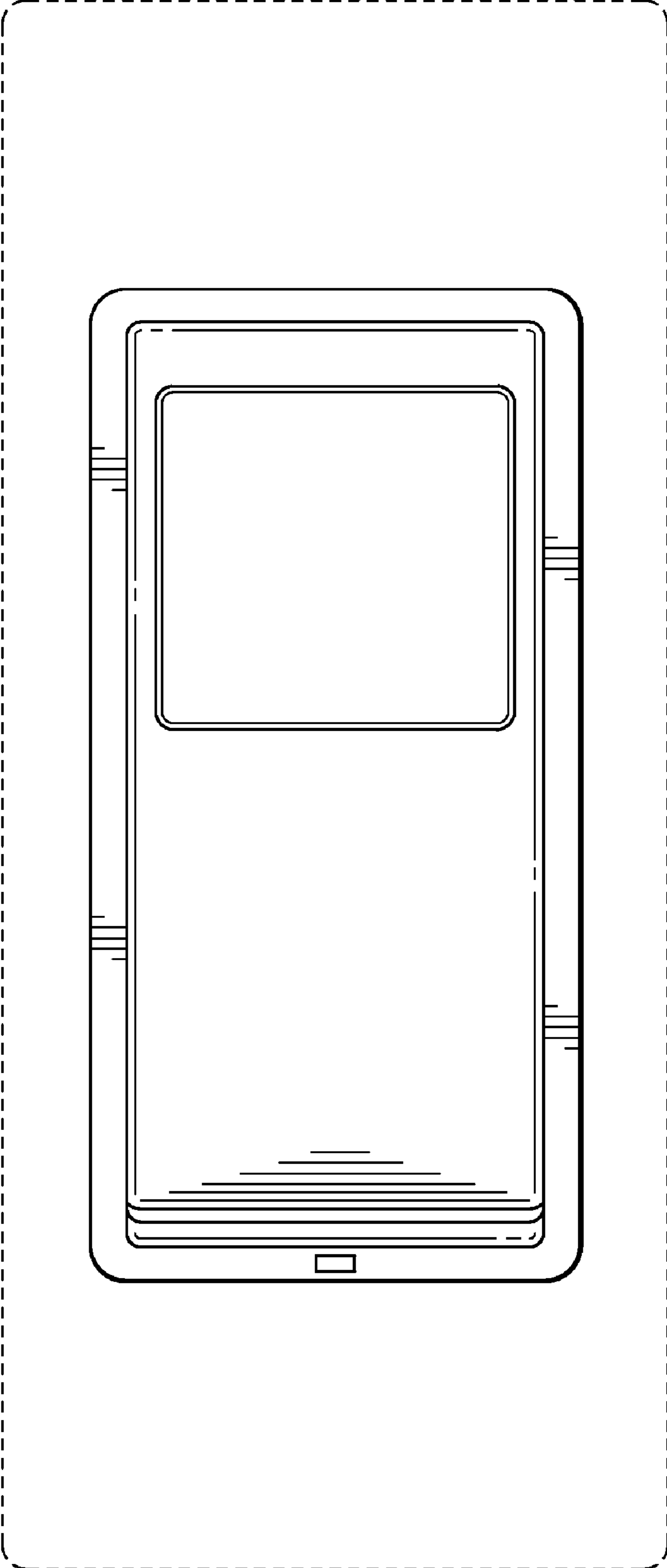


FIG. 1

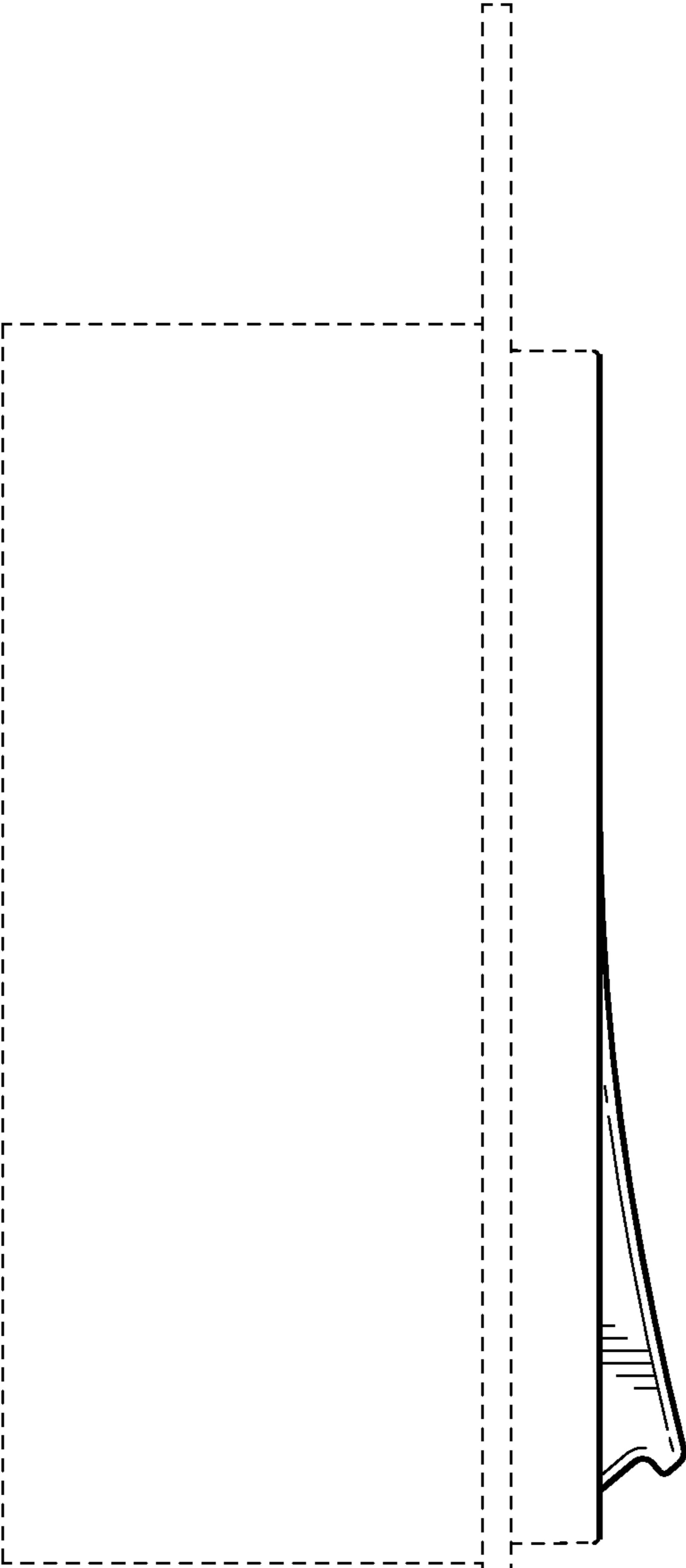


FIG. 2

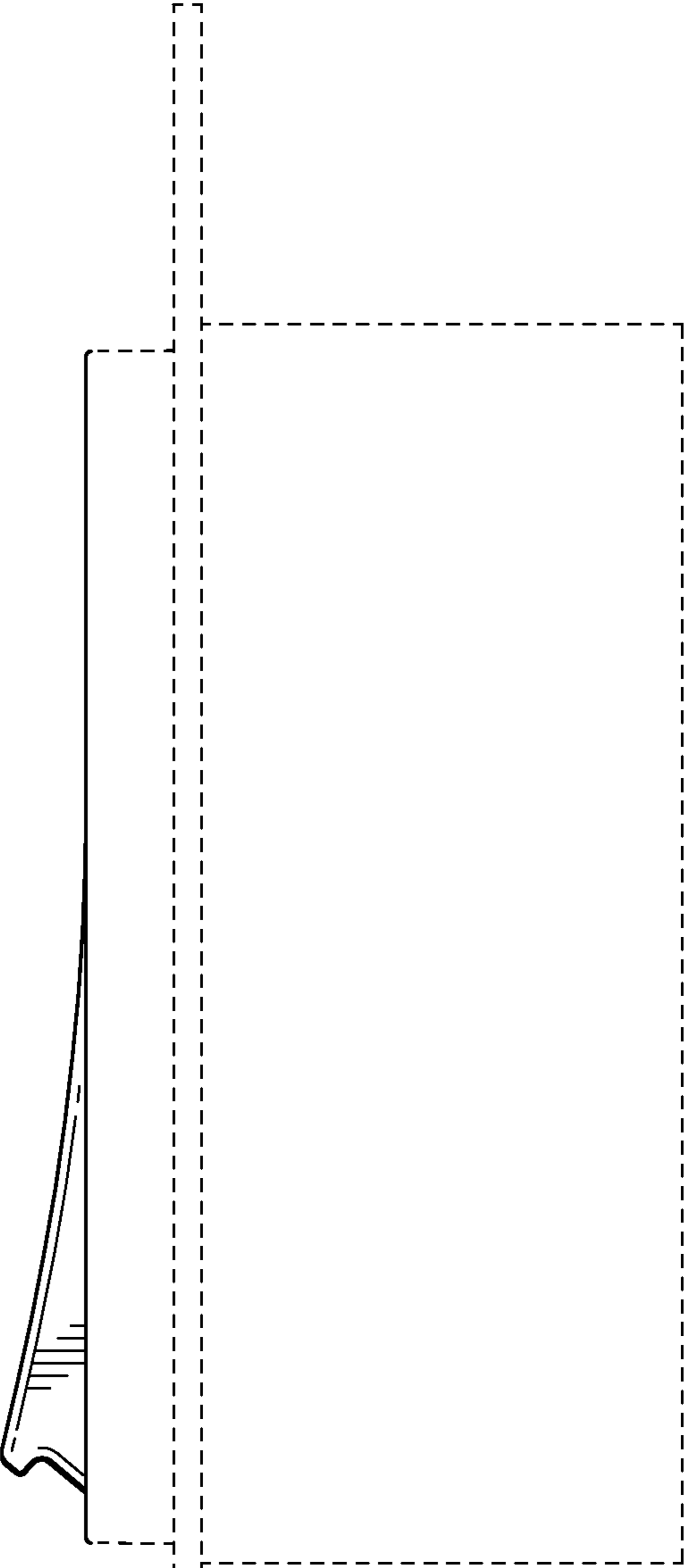
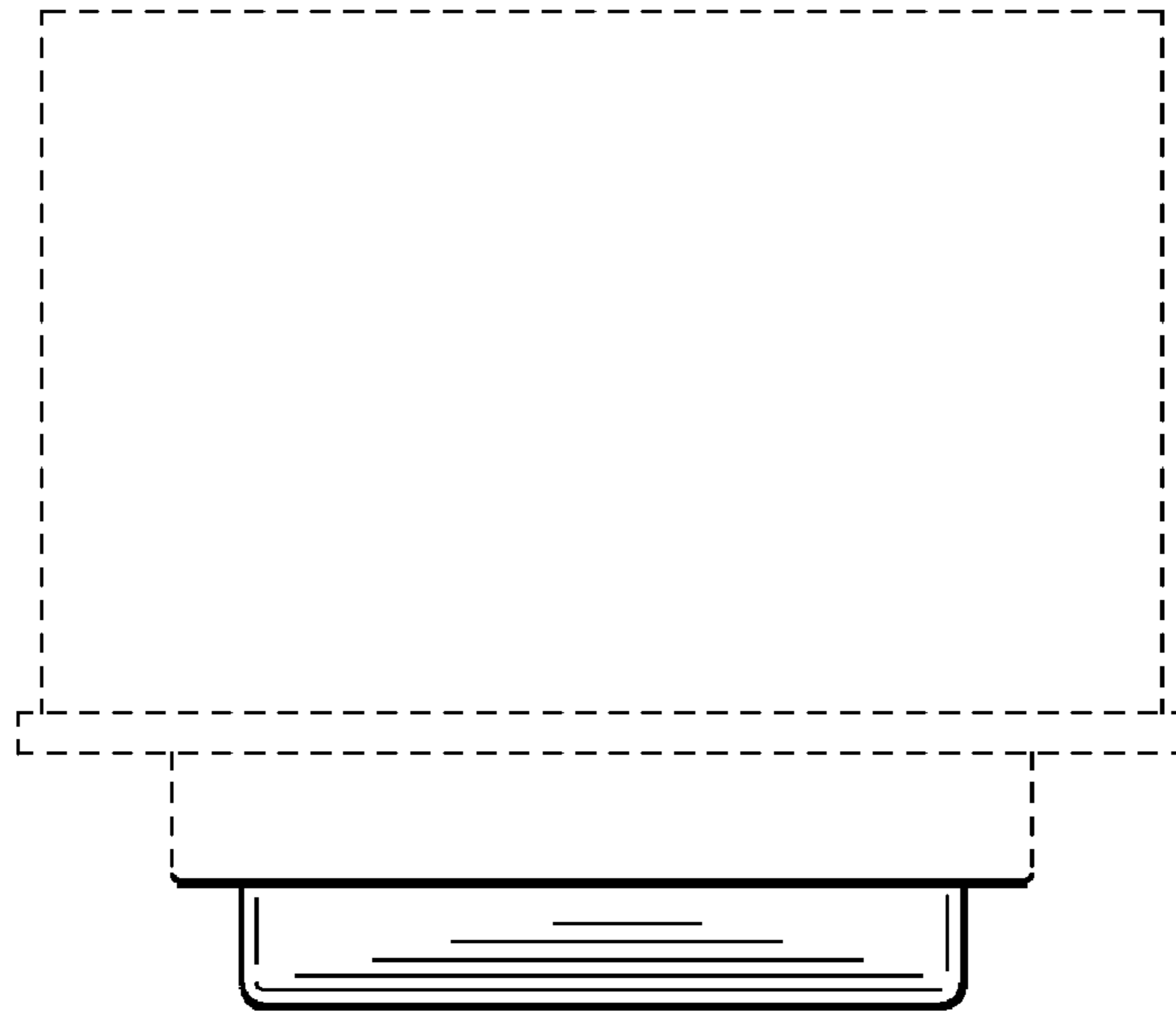
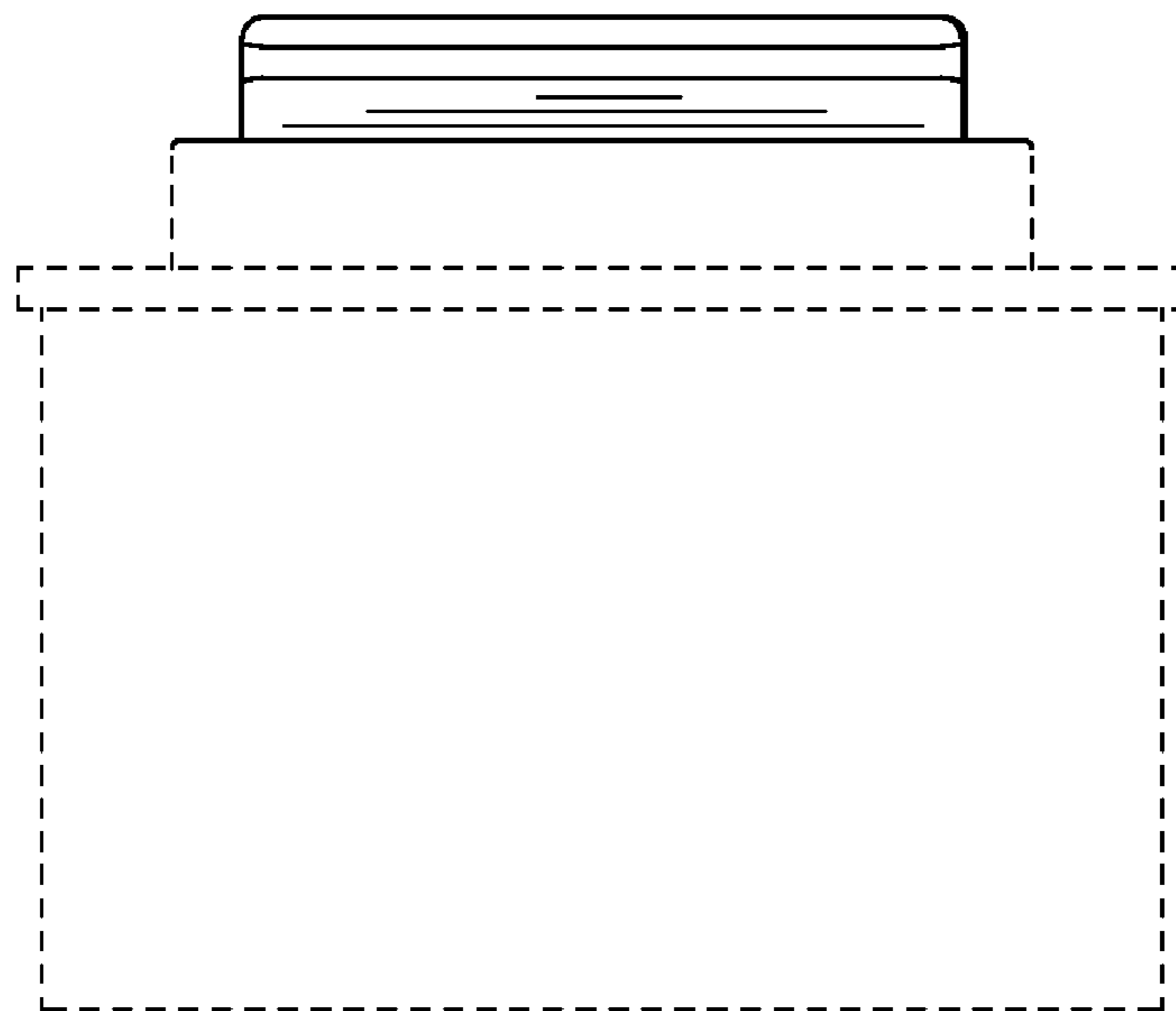


FIG. 3



**FIG. 4**



**FIG. 5**

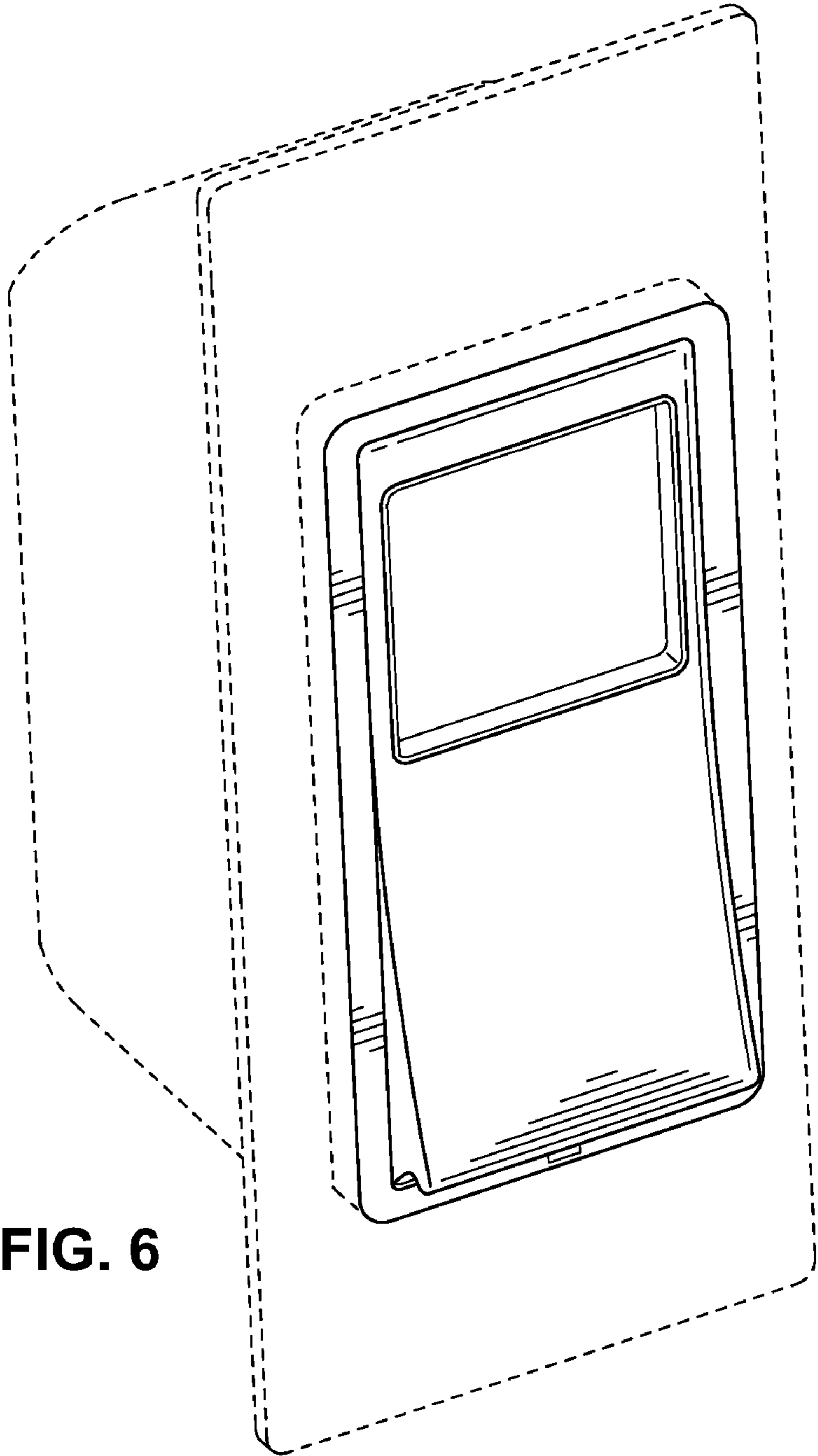


FIG. 6

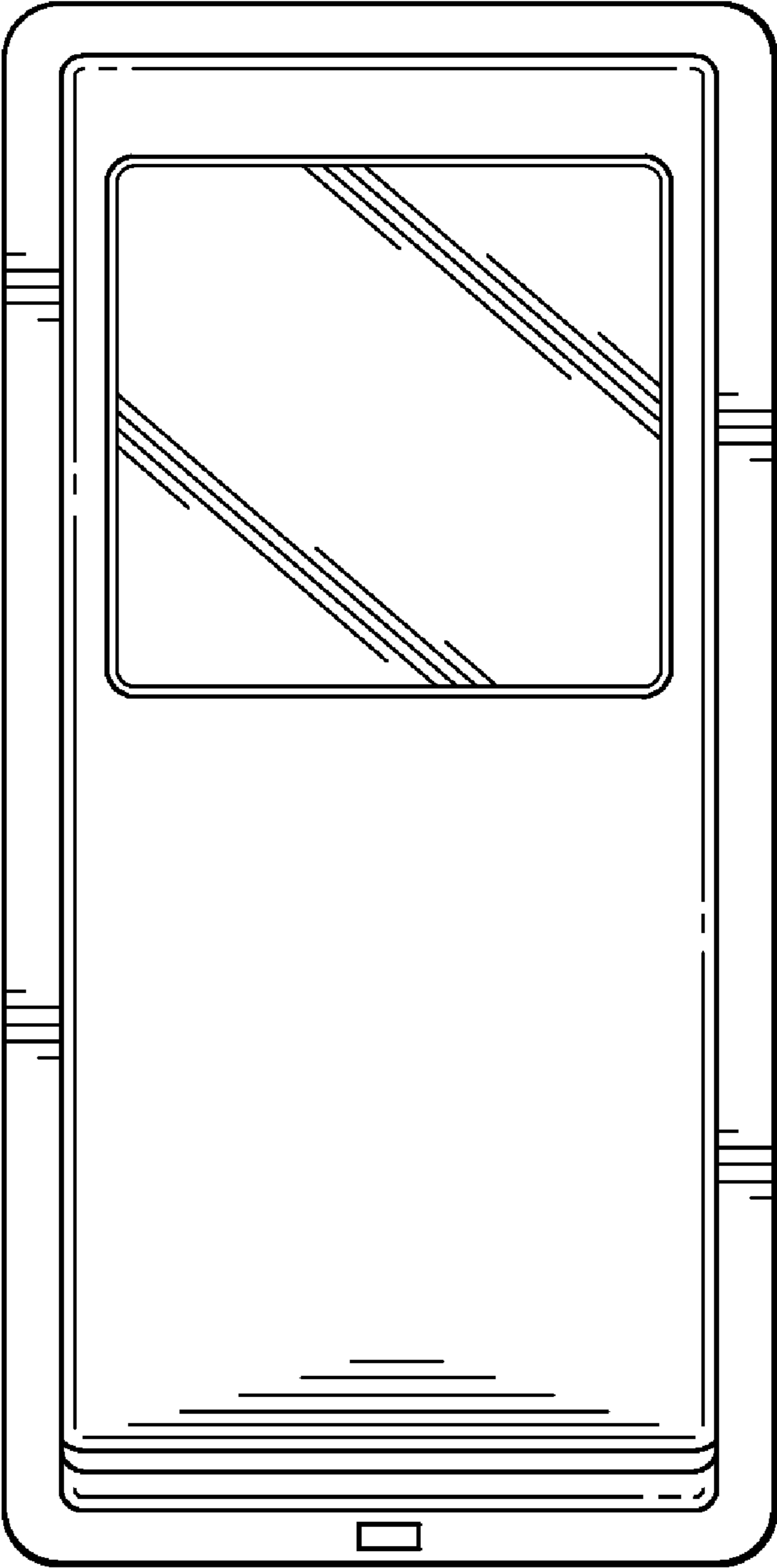


FIG. 7



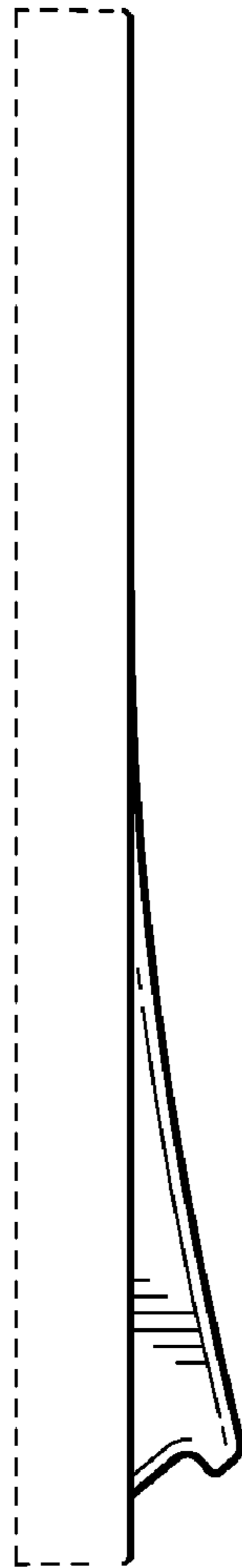


FIG. 8

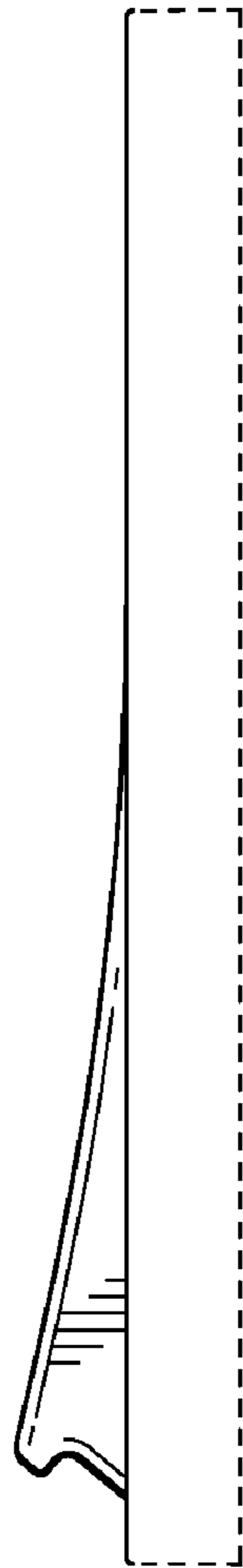


FIG. 9

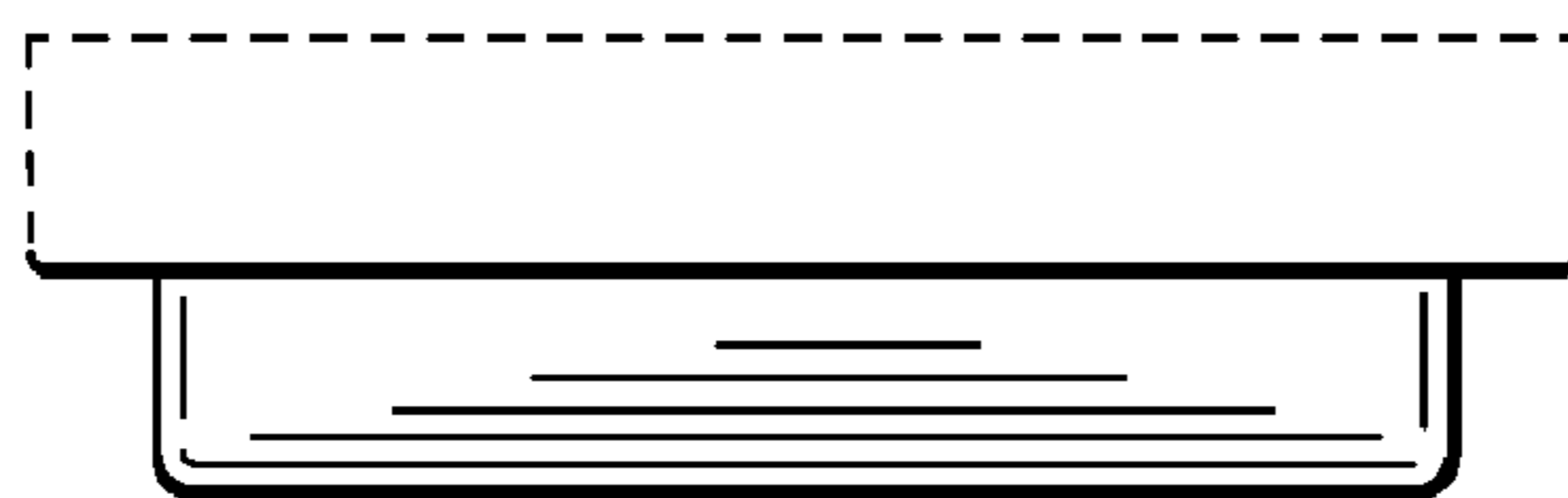


FIG. 10

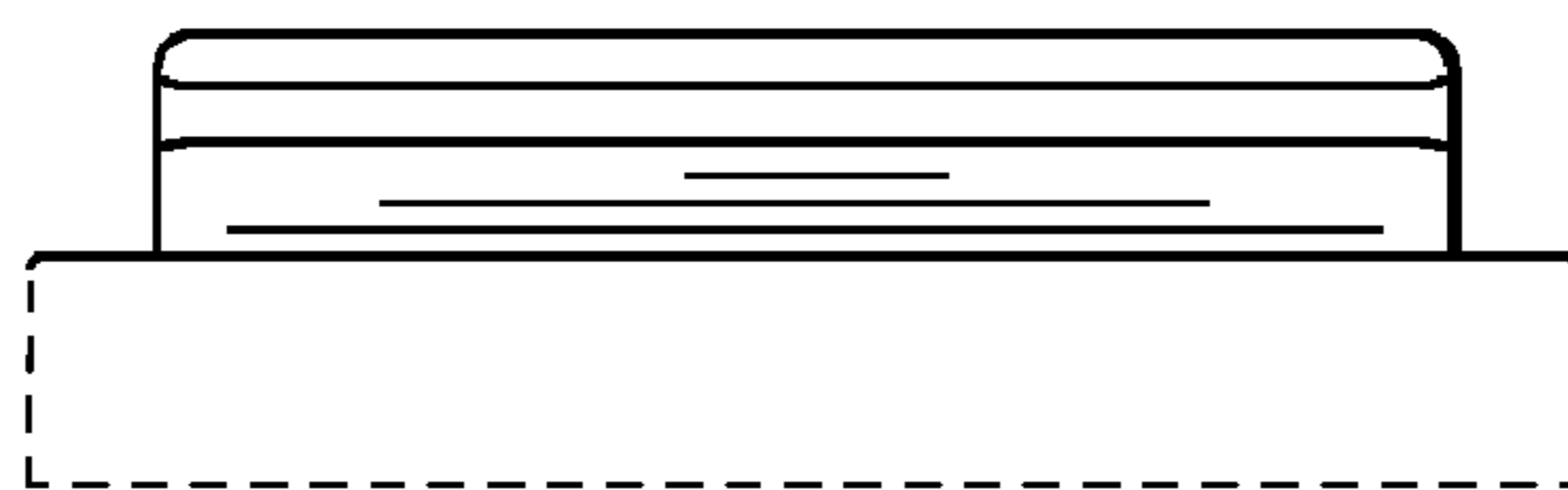


FIG. 11

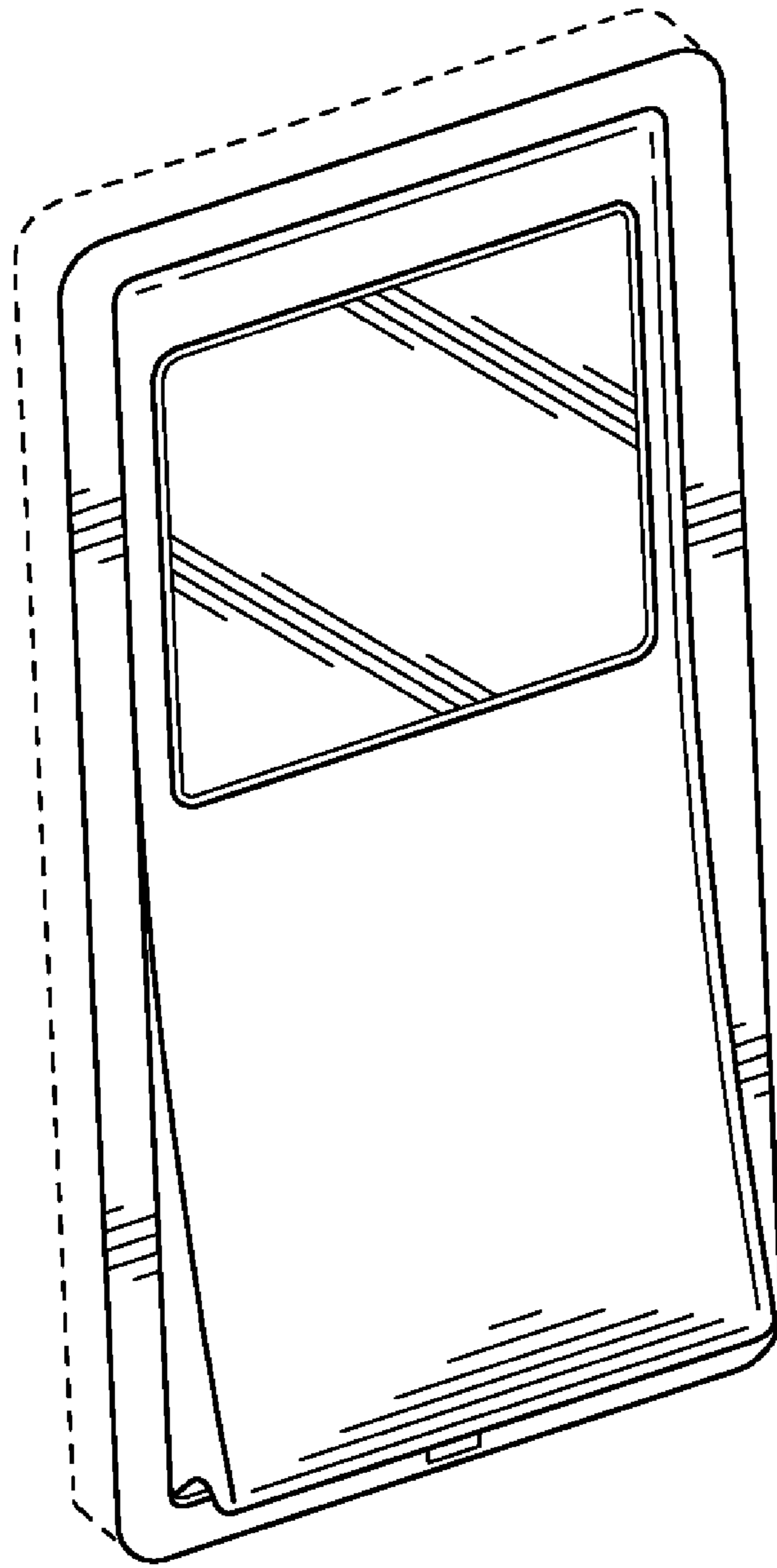


FIG. 12