



US00D634274S

(12) **United States Design Patent**
Stucchi

(10) **Patent No.:** **US D634,274 S**
(45) **Date of Patent:** **** Mar. 15, 2011**

(54) **LAMP SOCKET**

(75) Inventor: **Antonietta Stucchi**, Olginate (IT)

(73) Assignee: **A.A.G. Stucchi S.R.L.**, Olginate (IT)

(**) Term: **14 Years**

(21) Appl. No.: **29/347,172**

(22) Filed: **Oct. 15, 2009**

(30) **Foreign Application Priority Data**

Apr. 21, 2009 (EM) 001134241

(51) **LOC (9) Cl.** **13-03**

(52) **U.S. Cl.** **D13/134**

(58) **Field of Classification Search** D13/133-136,
D13/154, 184, 199; D26/24, 113; 362/260,
362/581; 439/241, 242, 243, 244, 239, 226,
439/240, 168, 220, 232, 280, 336, 419, 602;
313/318.01, 318.02, 318.03, 318.05, 318.12

See application file for complete search history.

(56) **References Cited**

U.S. PATENT DOCUMENTS

5,931,691 A * 8/1999 Mews et al. 439/419
D602,868 S * 10/2009 Vogt et al. D13/134
D602,869 S * 10/2009 Vogt et al. D13/134

2002/0031930 A1* 3/2002 Metz 439/161
2006/0245215 A1* 11/2006 Tufano et al. 362/659
2010/0015843 A1* 1/2010 Zayas et al. 439/375

* cited by examiner

Primary Examiner — Thomas J Johannes

(74) *Attorney, Agent, or Firm* — Modiano & Associati;
Daniel O'Byrne; Albert Josif

(57) **CLAIM**

The ornamental design for the “lamp socket”, as shown and described.

DESCRIPTION

The design relates to a lamp socket for linear fluorescent lamps having a body provided with side locking pins.

FIG. 1 is a perspective view of a lamp socket, showing my new design;

FIG. 2 is a front elevation view thereof;

FIG. 3 is a rear elevation view thereof;

FIG. 4 is a left side elevation view thereof;

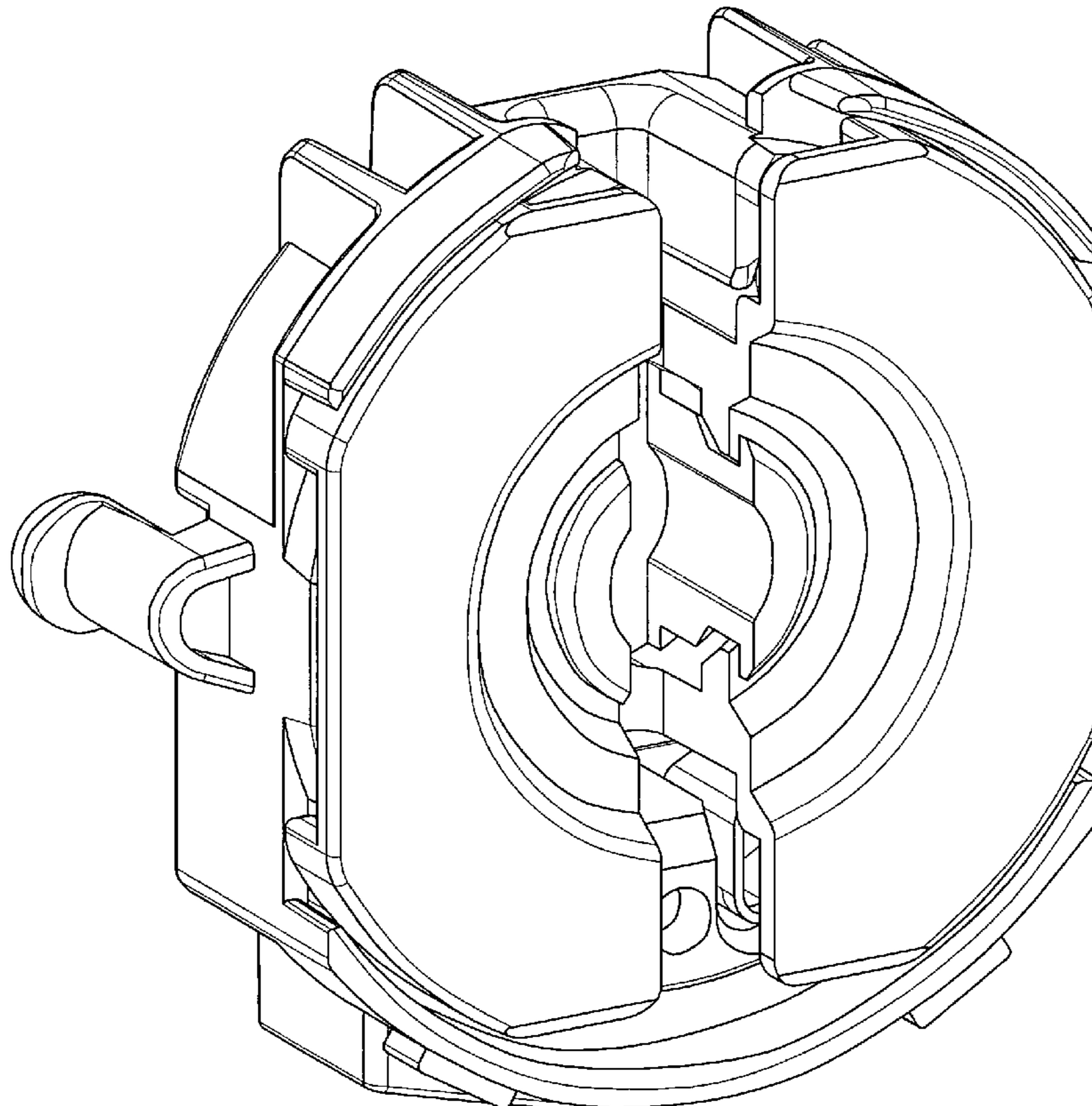
FIG. 5 is a right side elevation view thereof;

FIG. 6 is a top plan view thereof; and,

FIG. 7 is a bottom view thereof.

The broken line portion of the figure drawings is included to show unclaimed subject matter only and forms no part of the claimed design.

1 Claim, 7 Drawing Sheets



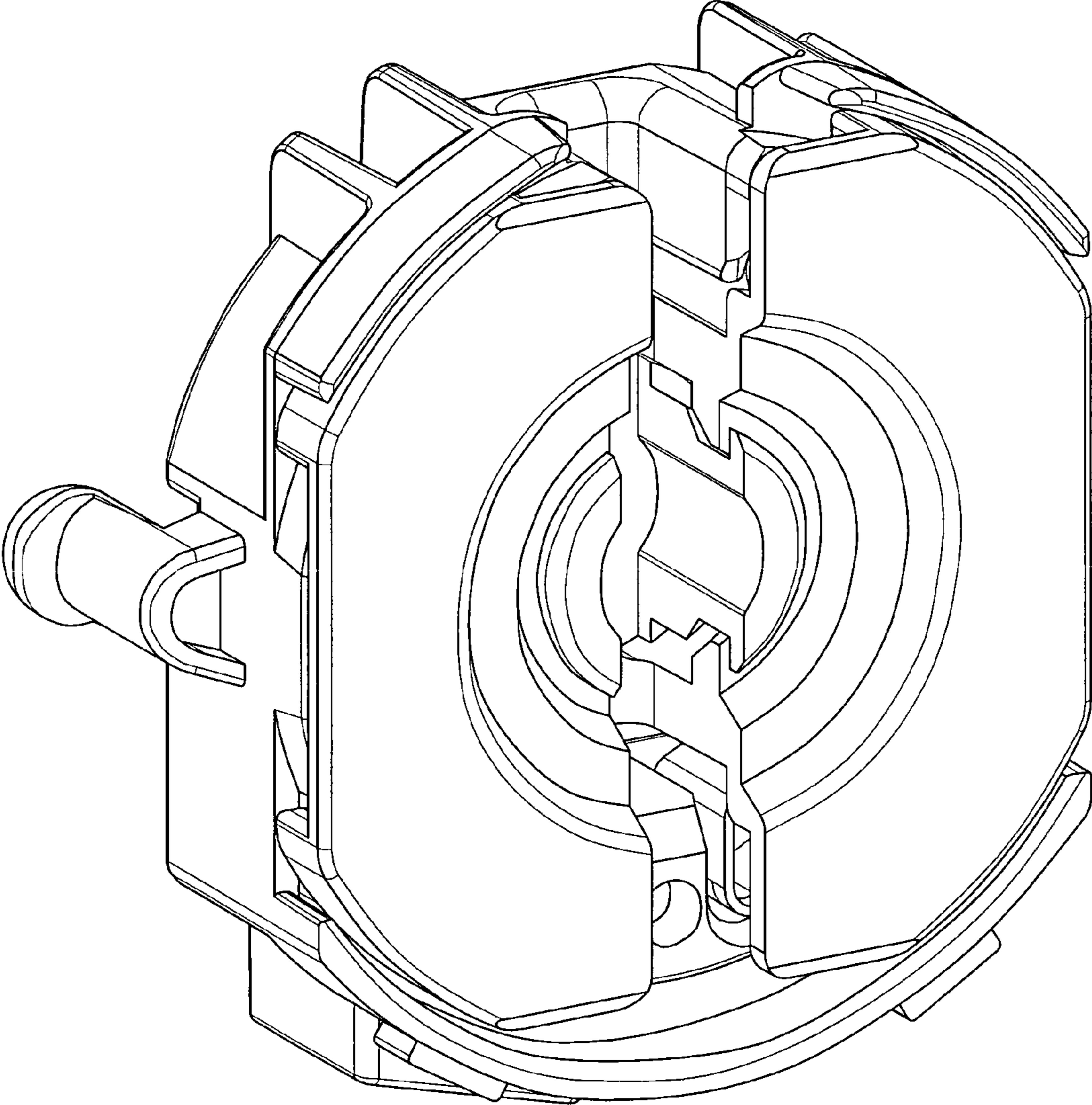


Fig. 1

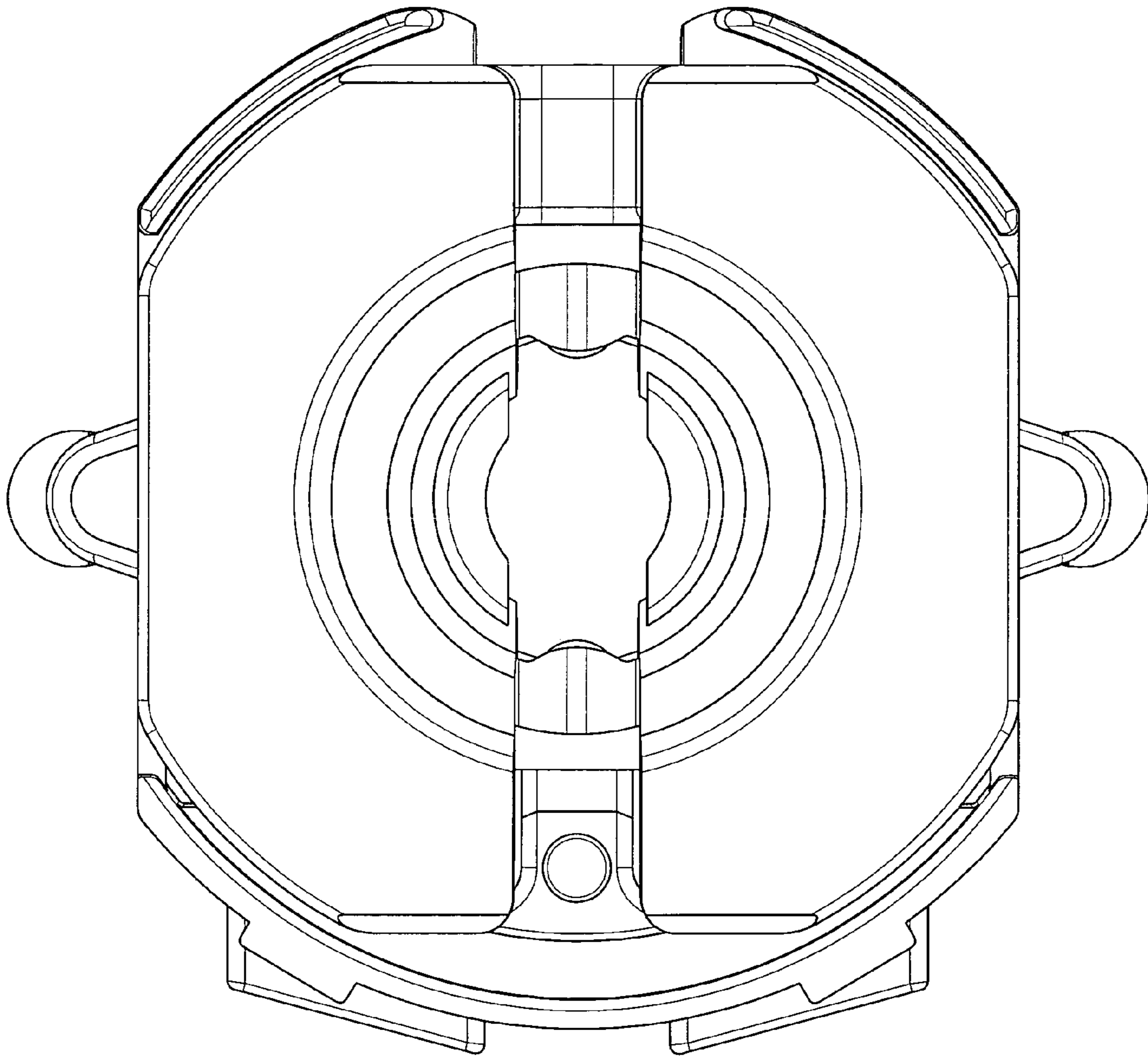


Fig. 2

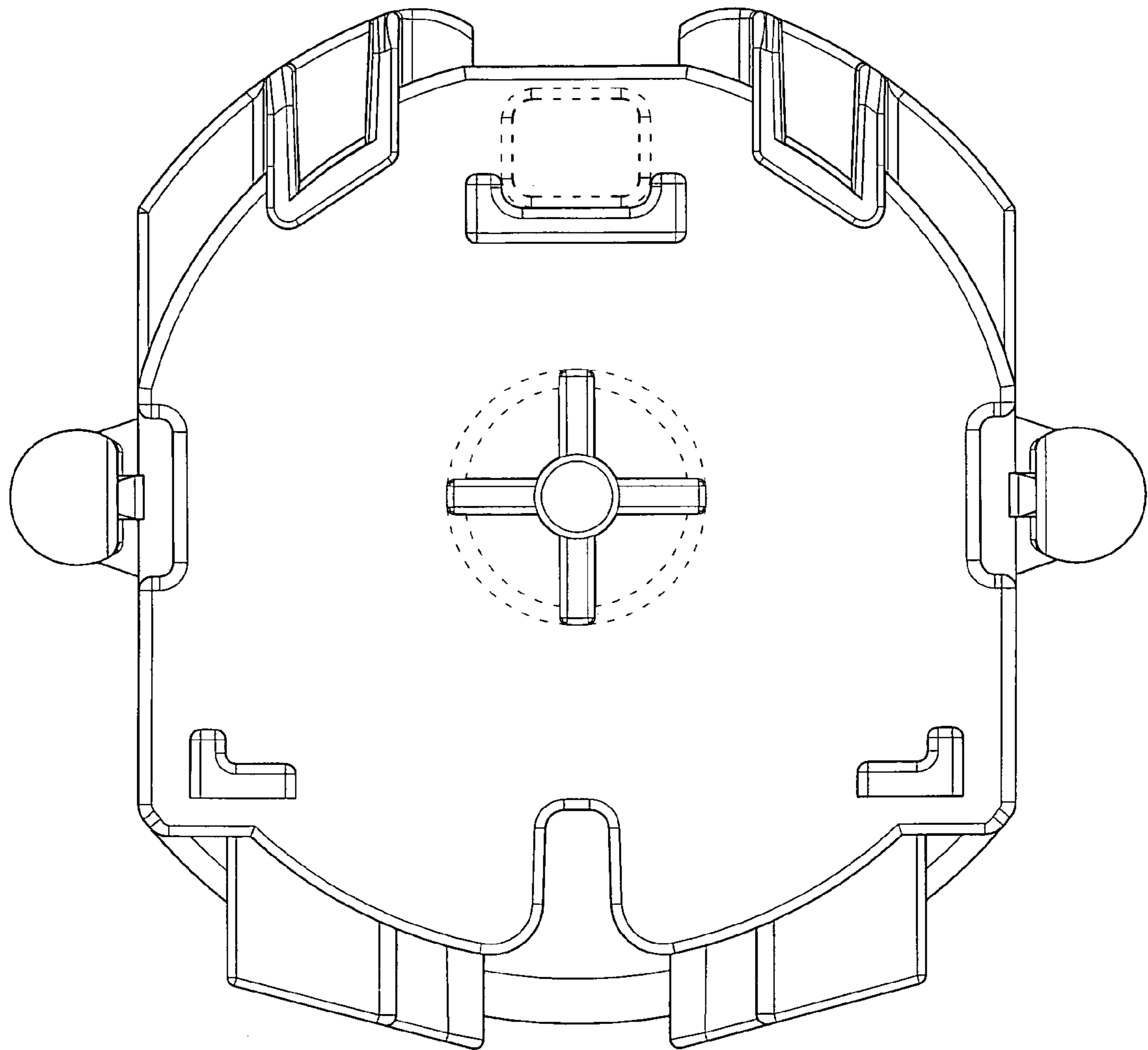


Fig. 3

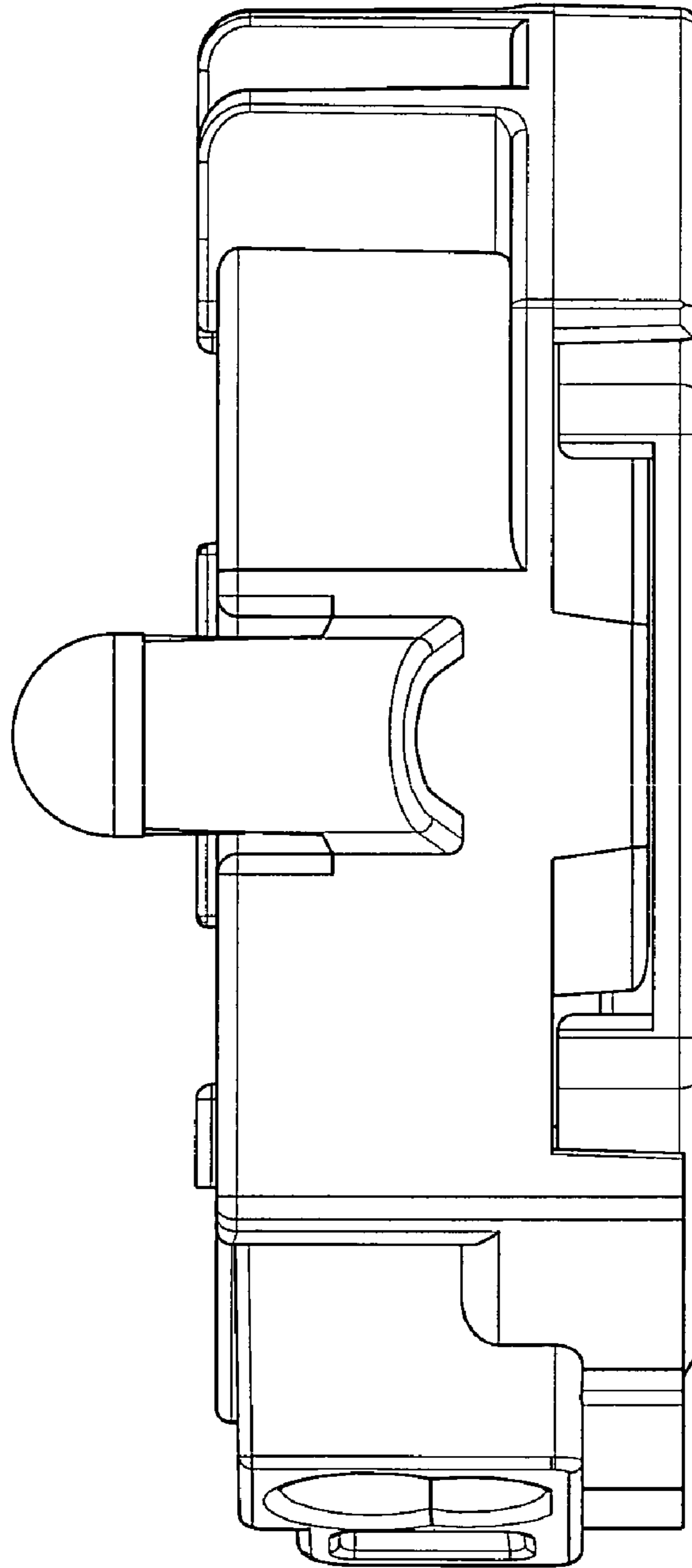


Fig. 4

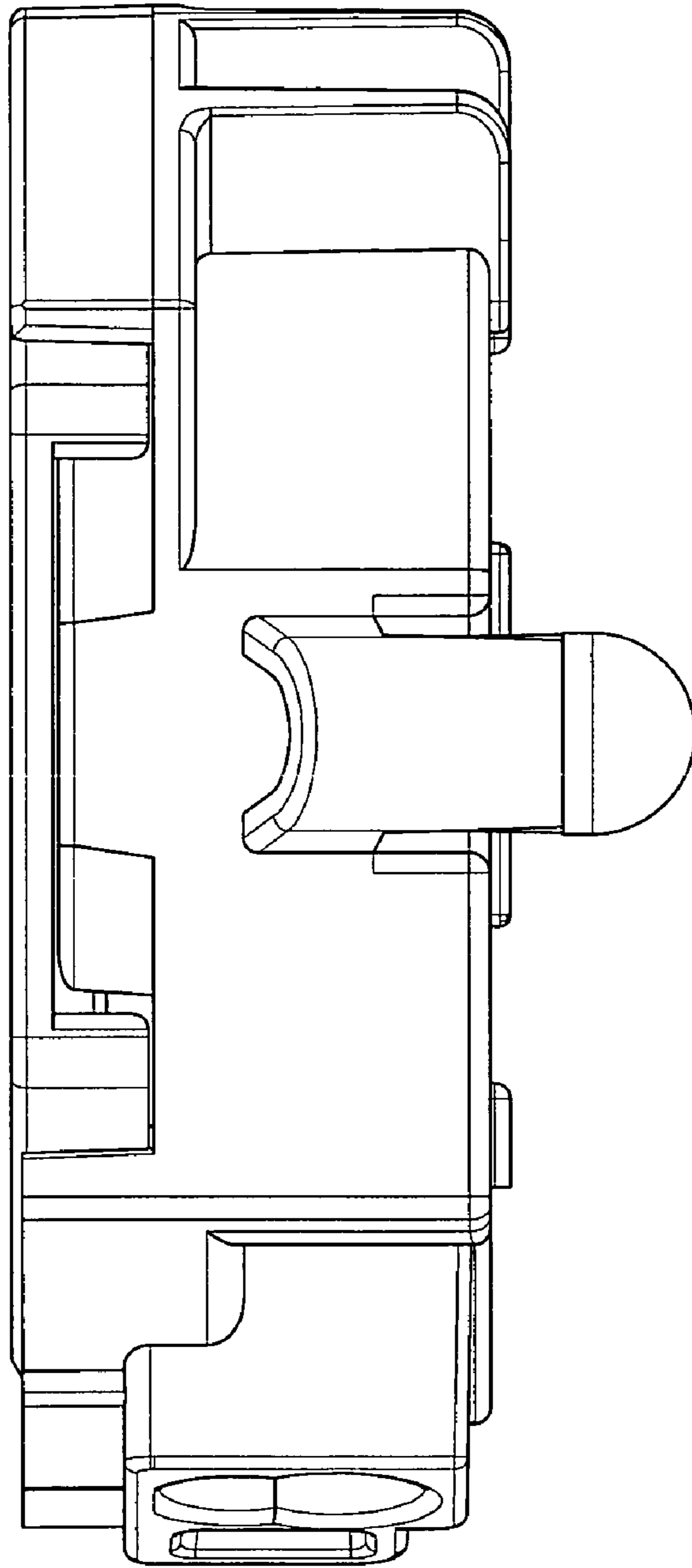


Fig. 5

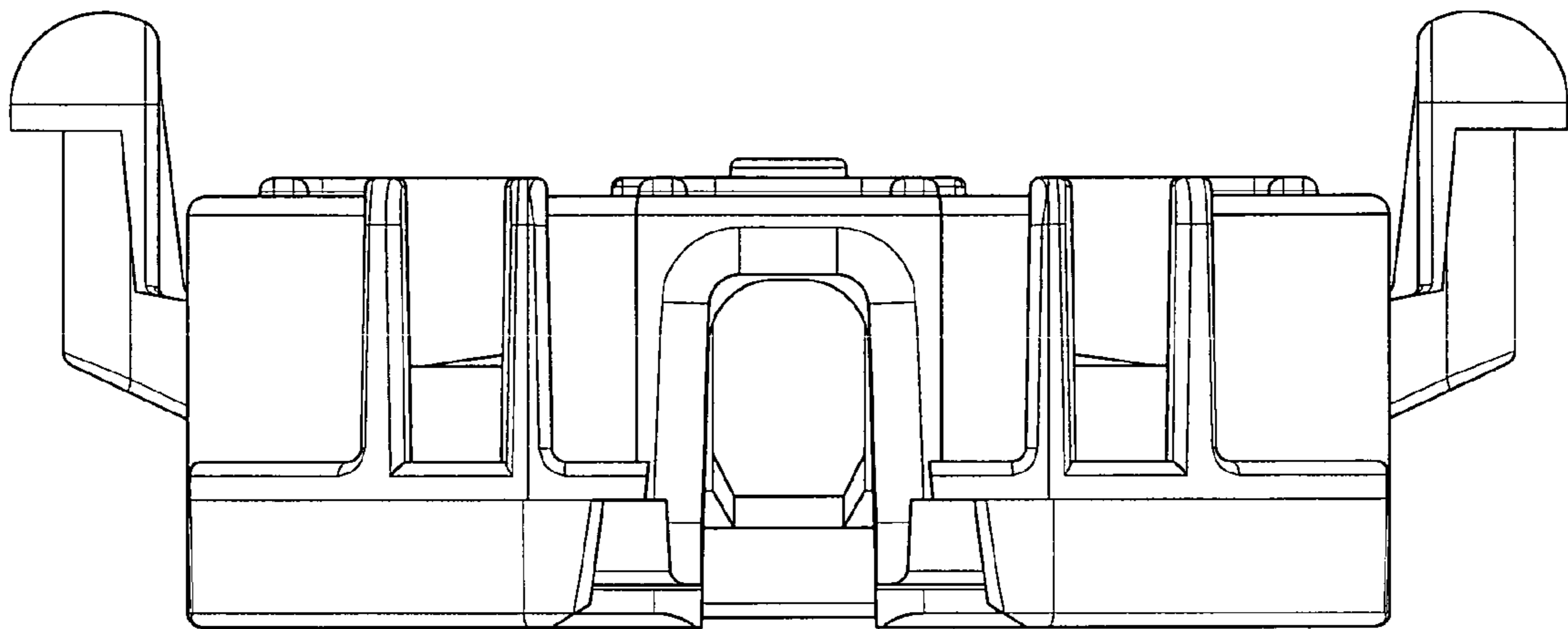


Fig. 6

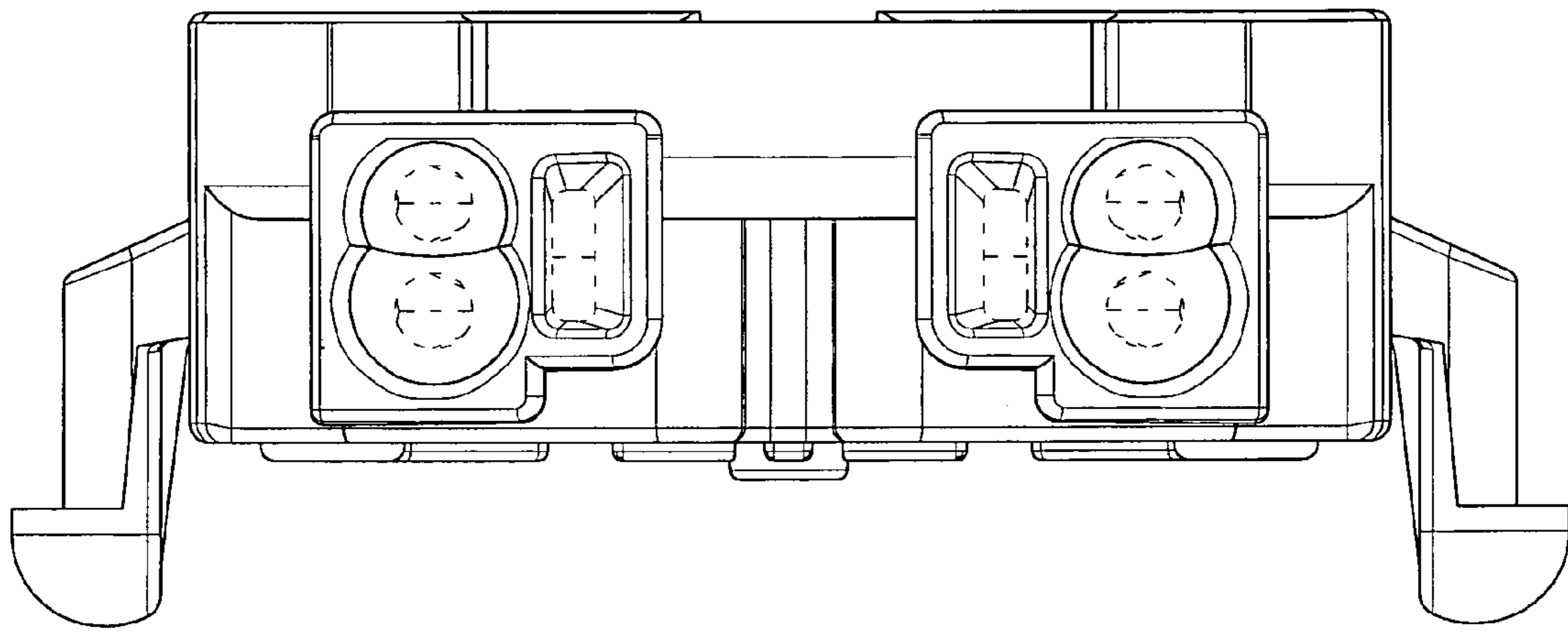


Fig. 7