

US00D634272S

(12) **United States Design Patent**
Veeh

(10) **Patent No.:** **US D634,272 S**
(45) **Date of Patent:** **** Mar. 15, 2011**

(54) **ELECTRICAL MOTOR**

(75) Inventor: **Michael Veeh**, Kleinrinderfeld (DE)

(73) Assignee: **Baumuller Nurnberg GmbH**,
Nuremberg (DE)

(**) Term: **14 Years**

(21) Appl. No.: **29/357,651**

(22) Filed: **Mar. 16, 2010**

(30) **Foreign Application Priority Data**

Sep. 18, 2009 (DE) 40 2009 004 841

(51) **LOC (9) Cl.** **13-01**

(52) **U.S. Cl.** **D13/112**

(58) **Field of Classification Search** D13/112,
D13/101, 113, 114, 118, 122, 199; D15/5;
29/596-598; 310/40 R, 42, 43, 58, 68 B,
310/85, 88, 89, 90, 91; 322/16, 39

See application file for complete search history.

(56) **References Cited**

U.S. PATENT DOCUMENTS

D287,715 S * 1/1987 Pittman et al. D13/112
D306,009 S * 2/1990 Mintz et al. D13/112
4,988,905 A * 1/1991 Tolmie, Jr. 310/68 B
D397,992 S * 9/1998 Shimomura et al. D13/112

D424,516 S * 5/2000 Friedrichsen D13/112
D457,493 S * 5/2002 Borges D13/112
D462,937 S * 9/2002 Nord D13/112
D511,138 S * 11/2005 Kwan D13/112
D557,210 S * 12/2007 Liu D13/112

* cited by examiner

Primary Examiner — Prabhakar Deshmukh

Assistant Examiner — Derrick Holland

(74) *Attorney, Agent, or Firm* — Frank H. Foster; Kremblas
& Foster

(57) **CLAIM**

The ornamental design for an electrical motor, as shown.

DESCRIPTION

FIG. 1 is a rear perspective view of an electrical motor showing my new design;
FIG. 2 is a front perspective view thereof;
FIG. 3 is a bottom plan view thereof;
FIG. 4 is a side elevation view thereof, the opposite side being a mirror image;
FIG. 5 is a top plan view thereof;
FIG. 6 is a front elevation view thereof; and,
FIG. 7 is a rear elevation view thereof.

The broken lines shown represent unclaimed subject matter and form no part of the claimed design.

1 Claim, 2 Drawing Sheets

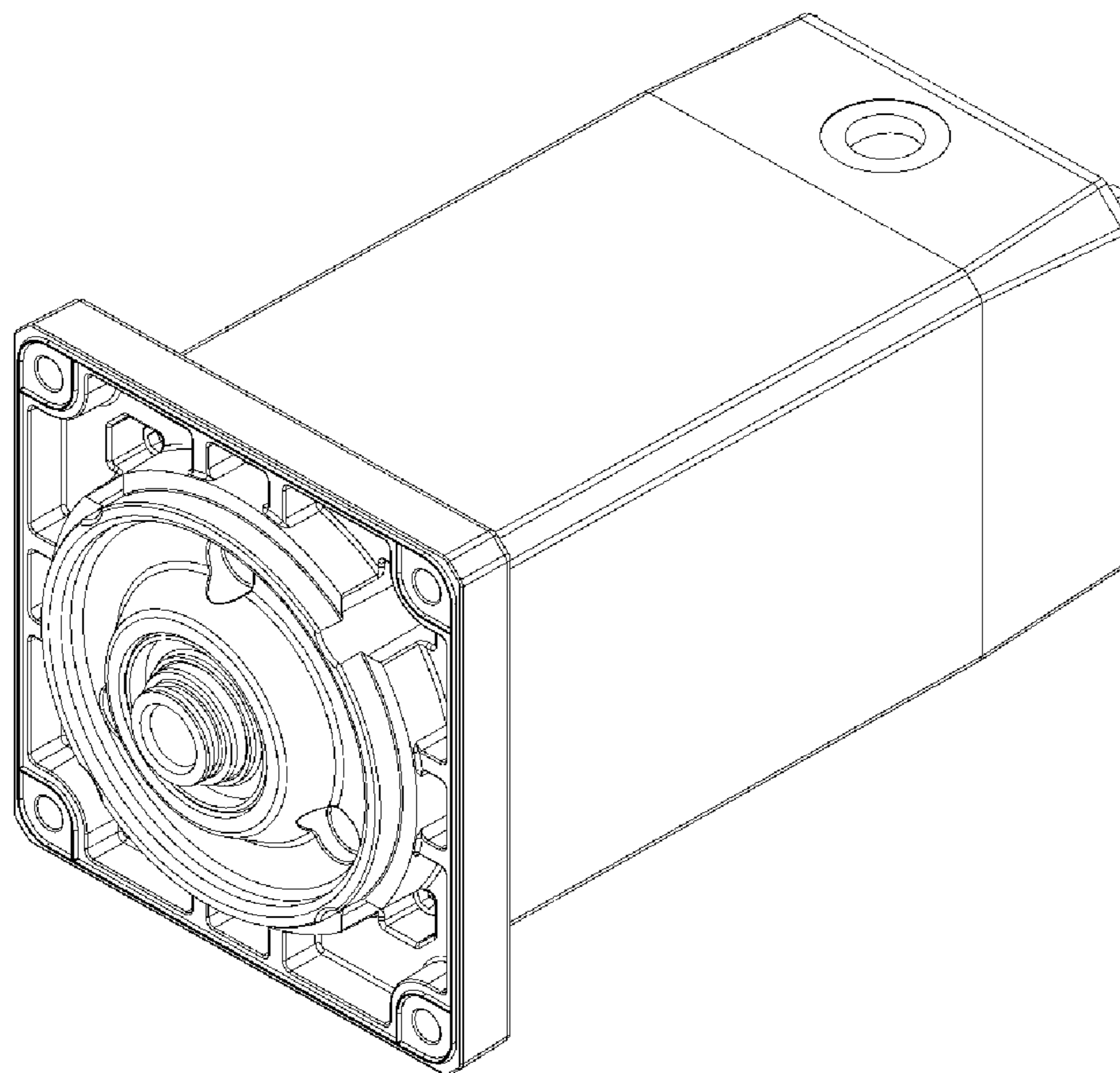


Fig. 1

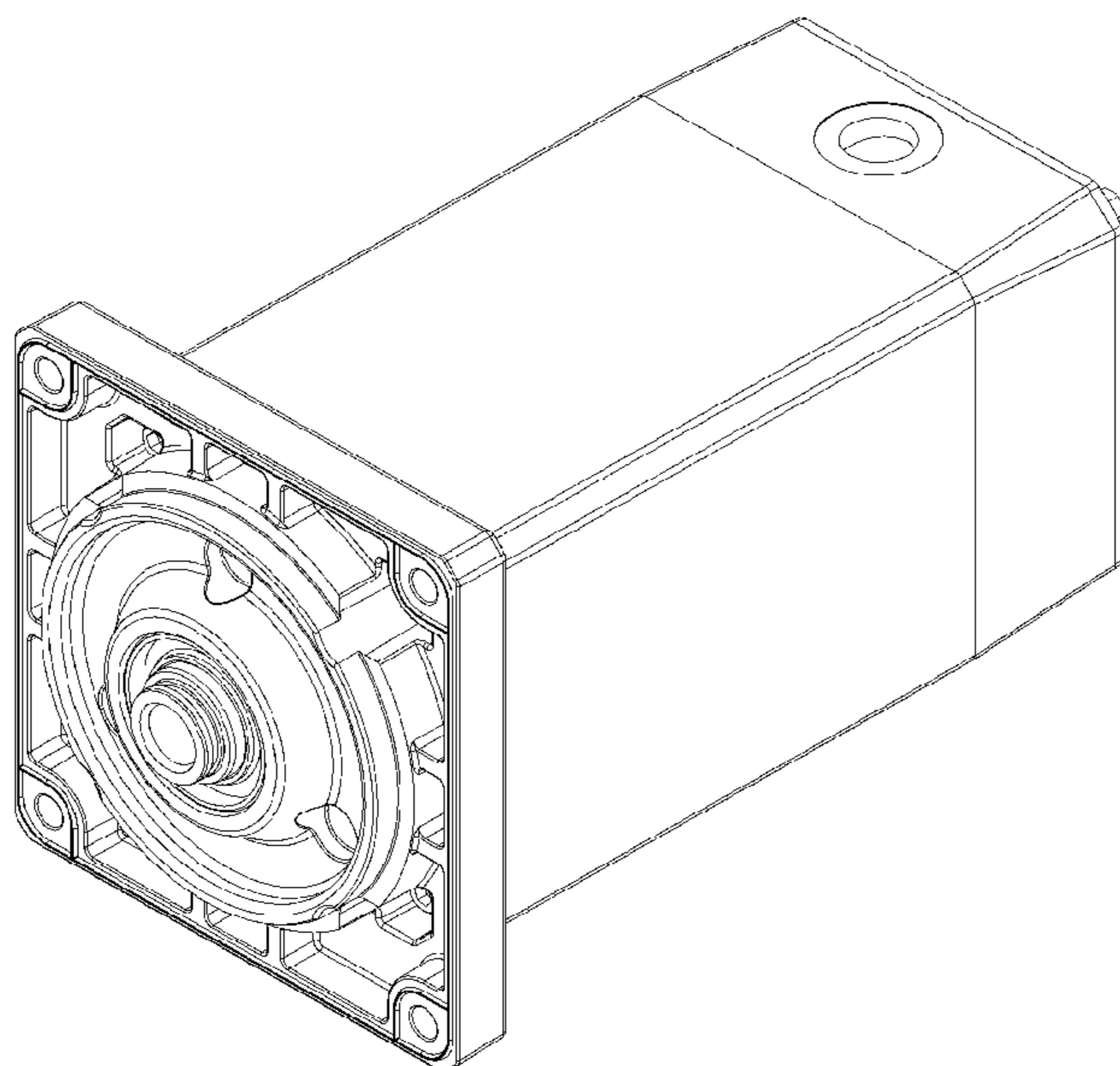
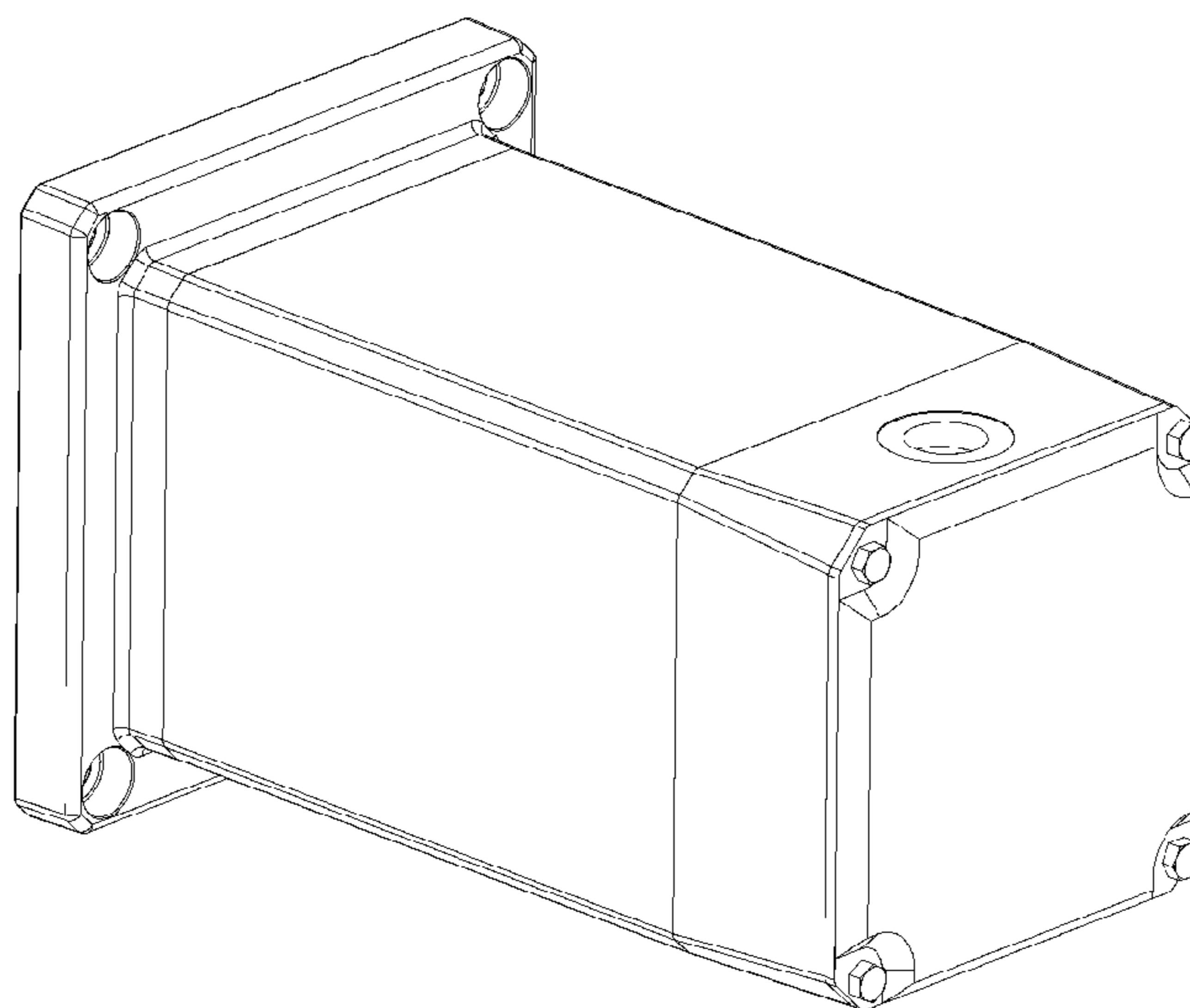


Fig. 2

Fig. 3

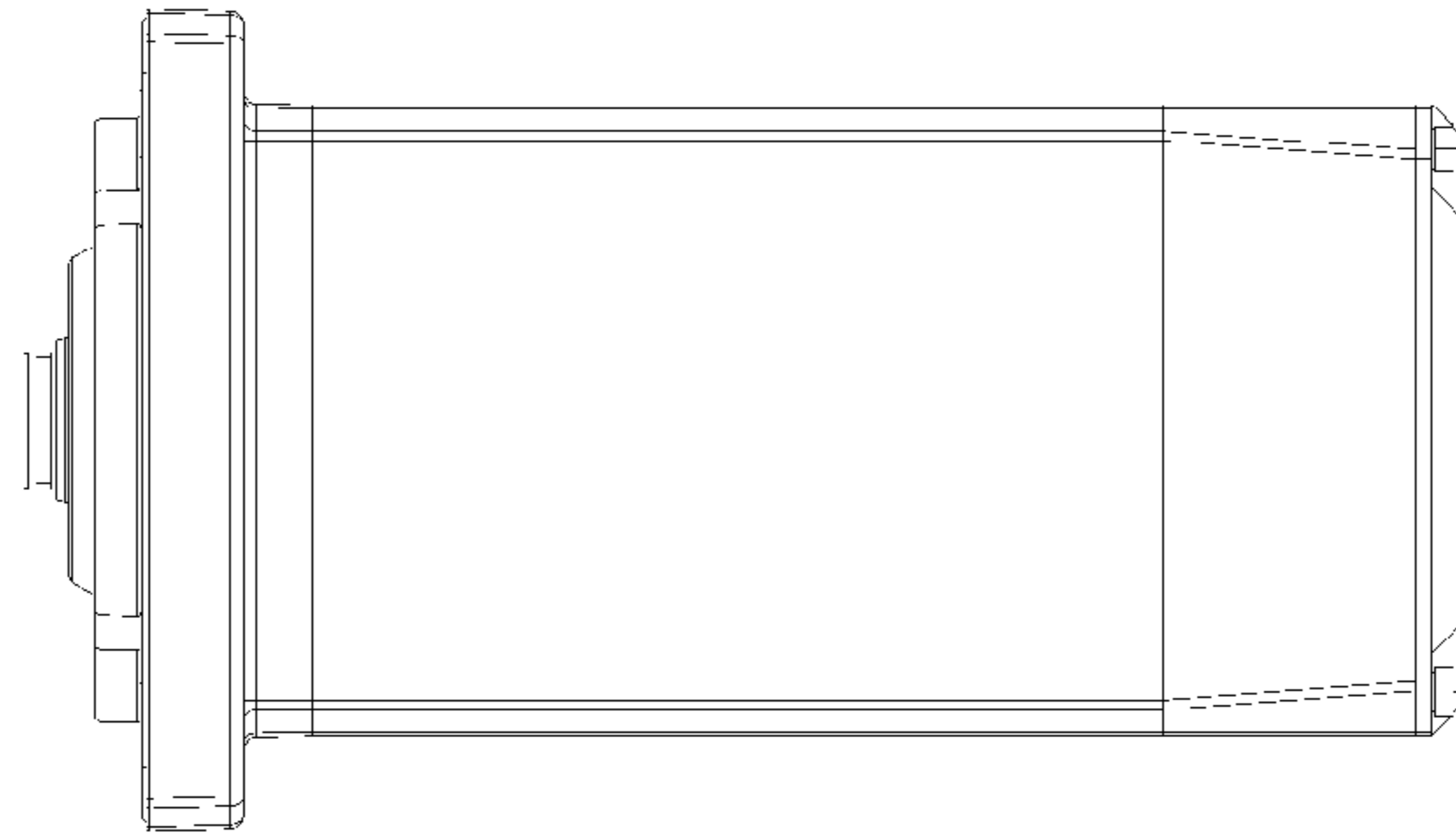


Fig. 4

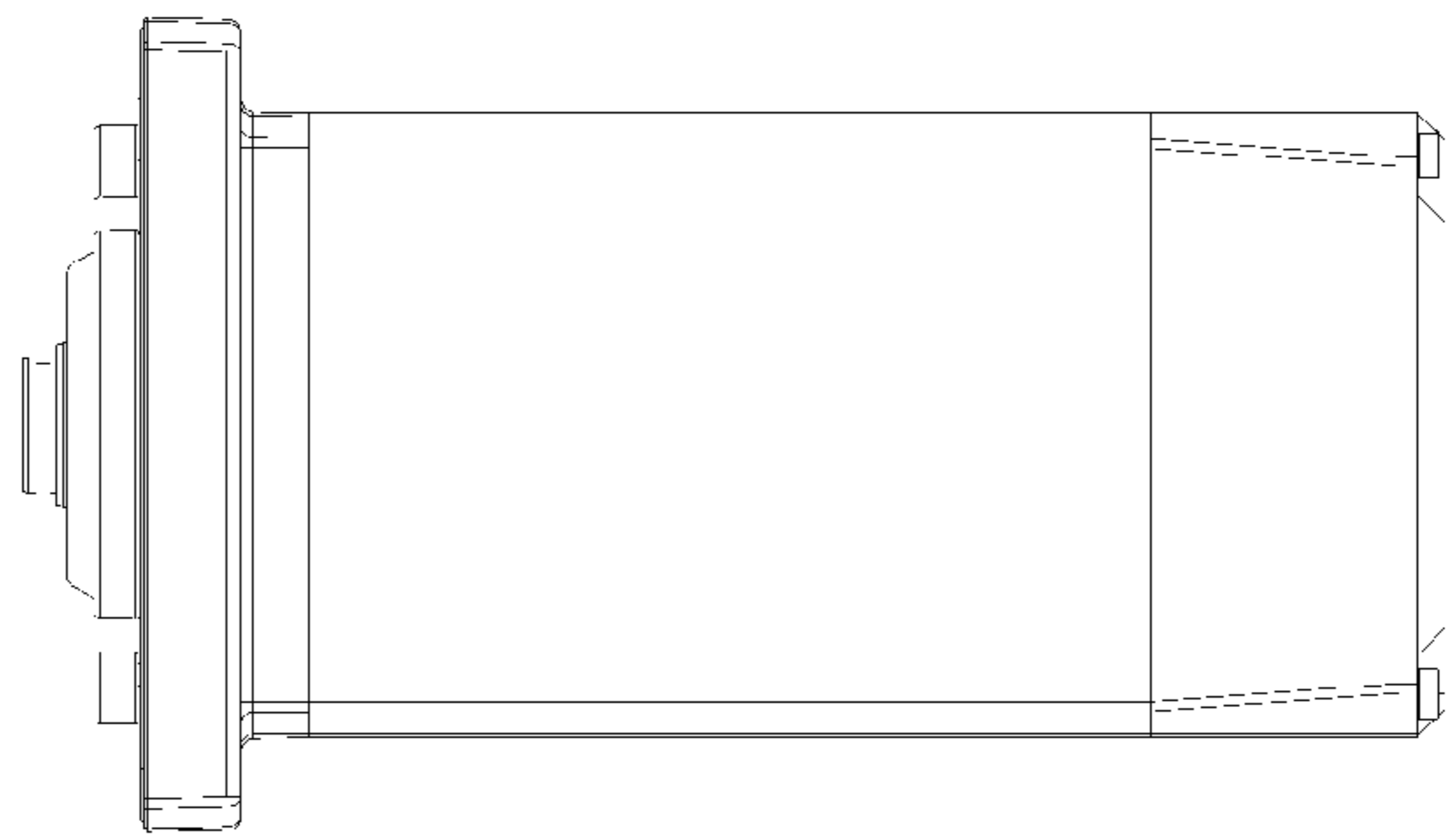


Fig. 5

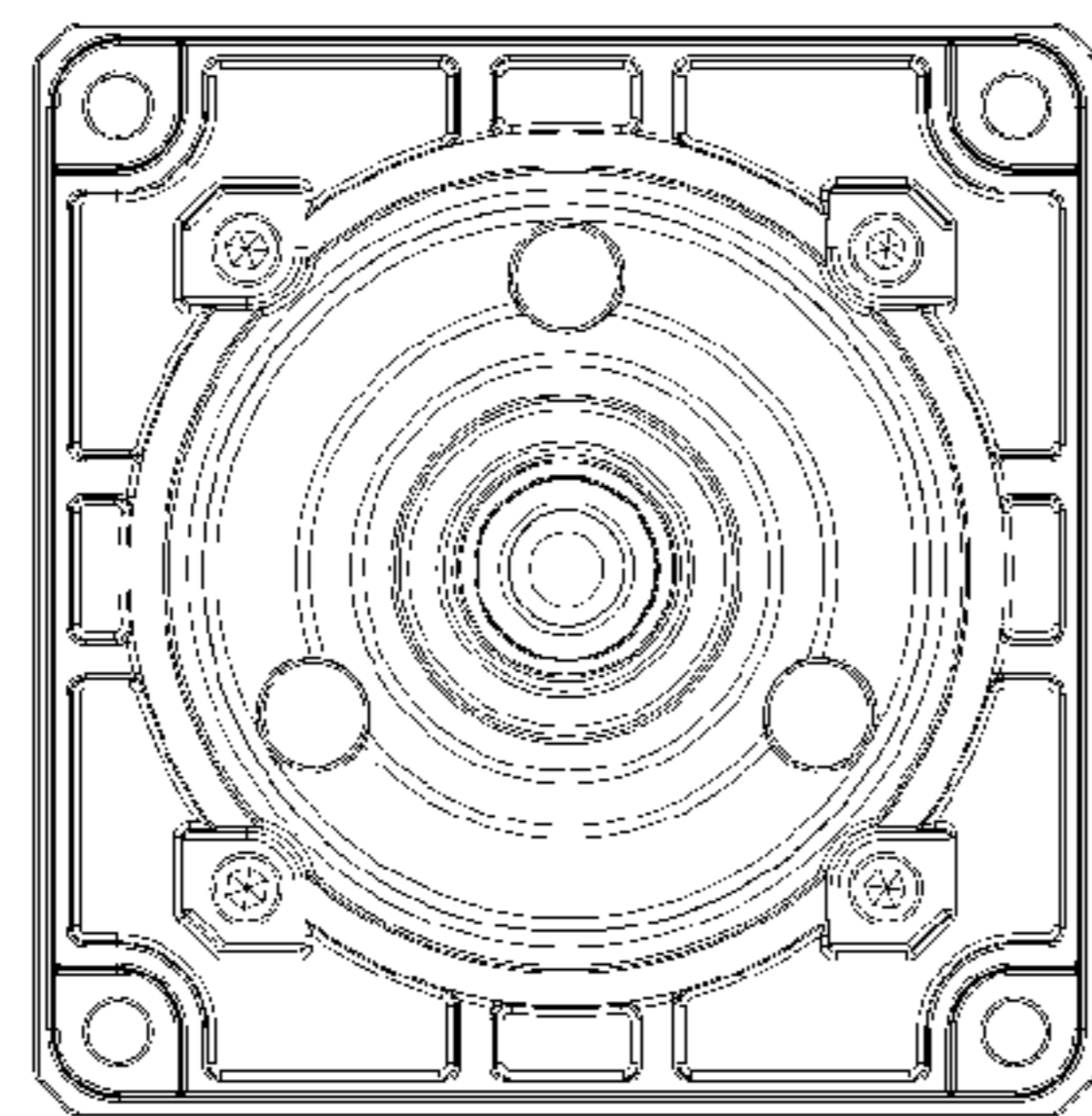
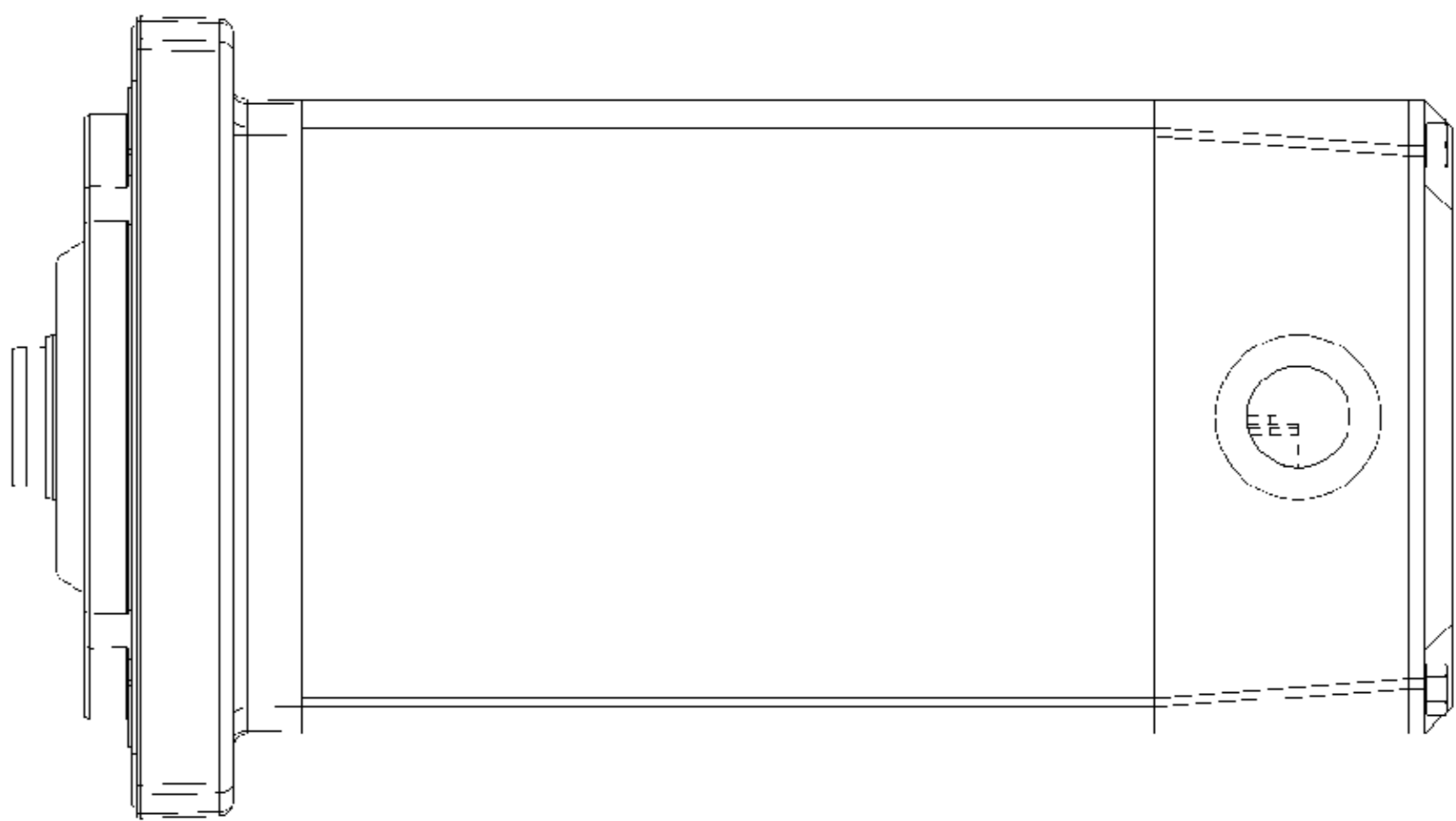


Fig. 6

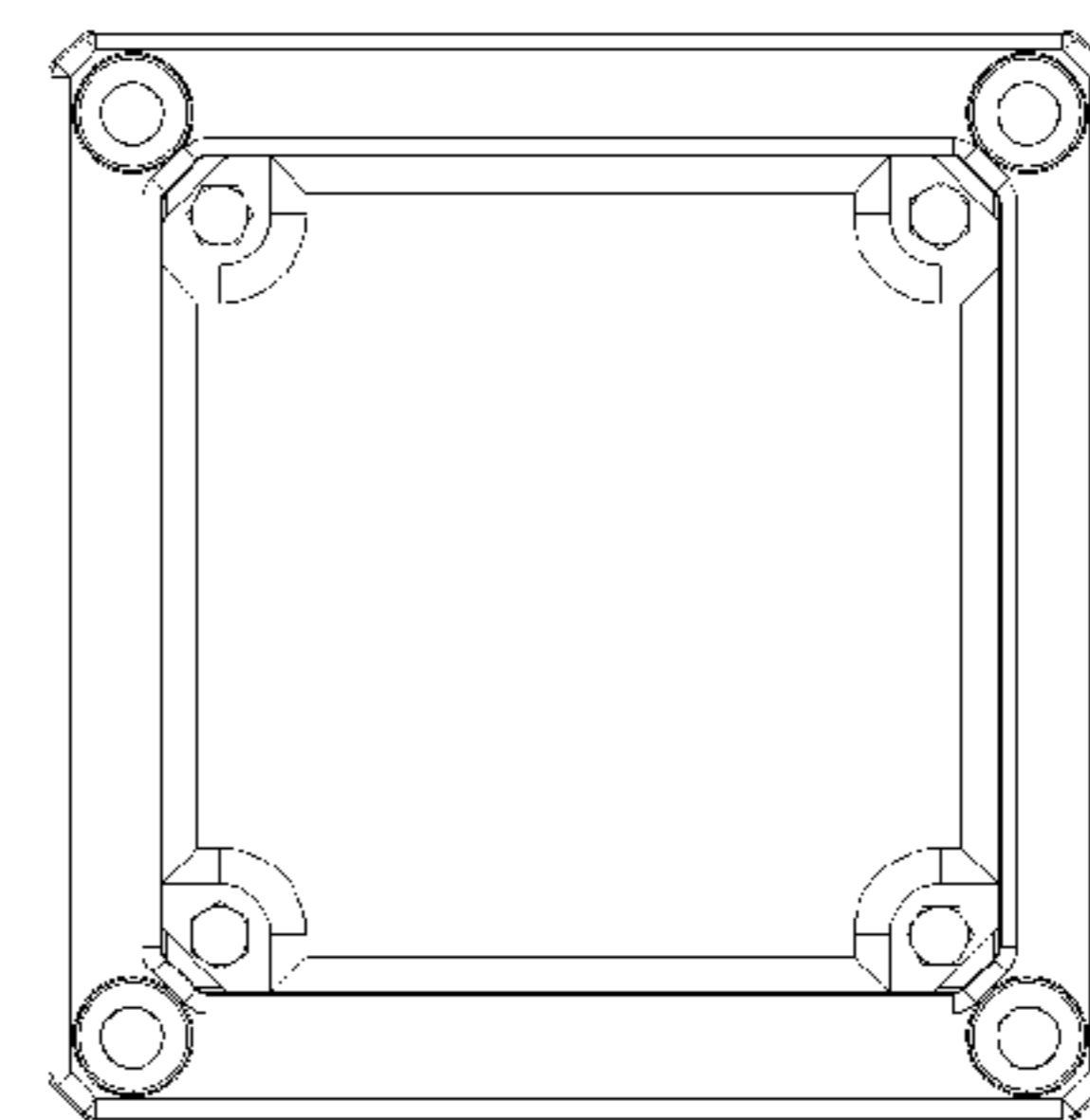


Fig. 7