



US00D634269S

(12) **United States Design Patent**
Griffin, Jr.

(10) **Patent No.:** **US D634,269 S**

(45) **Date of Patent:** **** Mar. 15, 2011**

(54) **CHARGER WITH A BACKUP BATTERY**

(75) Inventor: **Paul P. Griffin, Jr.**, Nashville, TN (US)

(73) Assignee: **Griffin Technology, Inc.**, Nashville, TN (US)

(**) Term: **14 Years**

(21) Appl. No.: **29/337,032**

(22) Filed: **May 14, 2009**

(51) **LOC (9) Cl.** **13-02**

(52) **U.S. Cl.** **D13/108; D13/103**

(58) **Field of Classification Search** D13/102-103, D13/107-110, 118-119, 133, 144, 184; D14/251, D14/253, 432, 434, 184; 439/300, 620, 638, 439/668-669, 675, 825; 320/107-115; 363/146
See application file for complete search history.

(56) **References Cited**

U.S. PATENT DOCUMENTS

D344,261	S	*	2/1994	Watanabe	D13/107
5,611,701	A	*	3/1997	Hahn	439/131
5,613,863	A	*	3/1997	Klaus et al.	439/131
5,684,689	A	*	11/1997	Hahn	363/146
5,736,830	A	*	4/1998	Weng	320/108
D400,855	S	*	11/1998	Lee	D13/138.1
D411,823	S	*	7/1999	Jacobs et al.	D13/107
5,973,948	A	*	10/1999	Hahn et al.	363/146
6,086,395	A	*	7/2000	Lloyd et al.	439/172
D442,544	S	*	5/2001	Ku	D13/107
D446,185	S	*	8/2001	Saastamoinen et al.	D13/108
D454,537	S	*	3/2002	O'Connor et al.	D13/110
D456,008	S	*	4/2002	Kawanobe et al.	D13/110
D478,310	S	*	8/2003	Andre et al.	D13/110
D503,679	S	*	4/2005	Andre et al.	D13/110
7,212,420	B2	*	5/2007	Liao	363/146

D556,682	S	*	12/2007	Ahlgren et al.	D13/108
D557,209	S	*	12/2007	Ahlgren et al.	D13/108
D562,766	S	*	2/2008	Yang	D13/110
D567,172	S	*	4/2008	Jidaisho	D13/110
D587,191	S	*	2/2009	Kim et al.	D13/108
D595,224	S	*	6/2009	Seil et al.	D13/110
D598,845	S	*	8/2009	Kingston et al.	D13/107
D599,287	S	*	9/2009	Kingston et al.	D13/107
2003/0151938	A1	*	8/2003	Liao	363/146
2005/0225285	A1	*	10/2005	Cheng	320/111

* cited by examiner

Primary Examiner — Rosemary K Tarcza

(74) *Attorney, Agent, or Firm* — Hornkohl Intellectual Property Law, PLLC; Jason C. Hornkohl

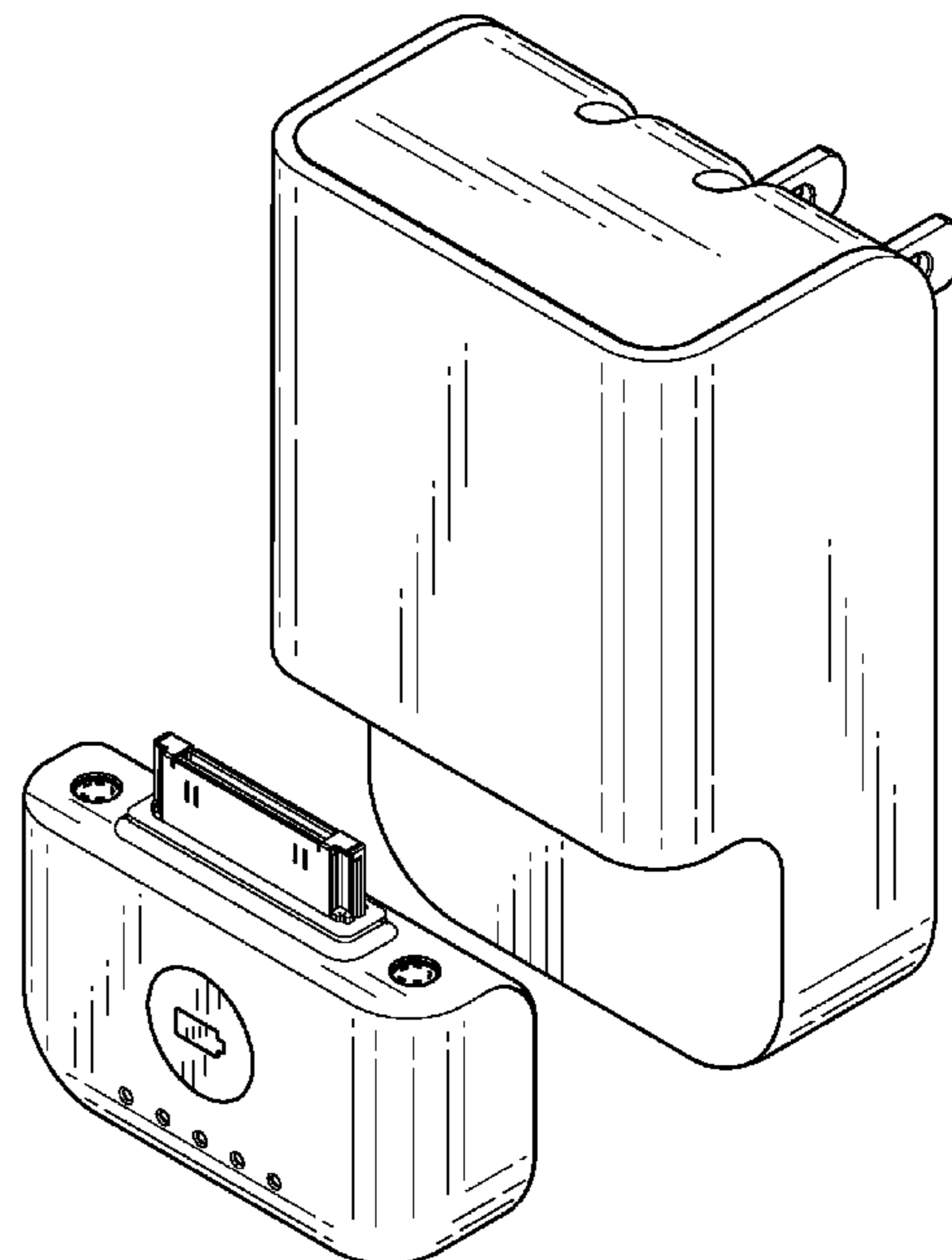
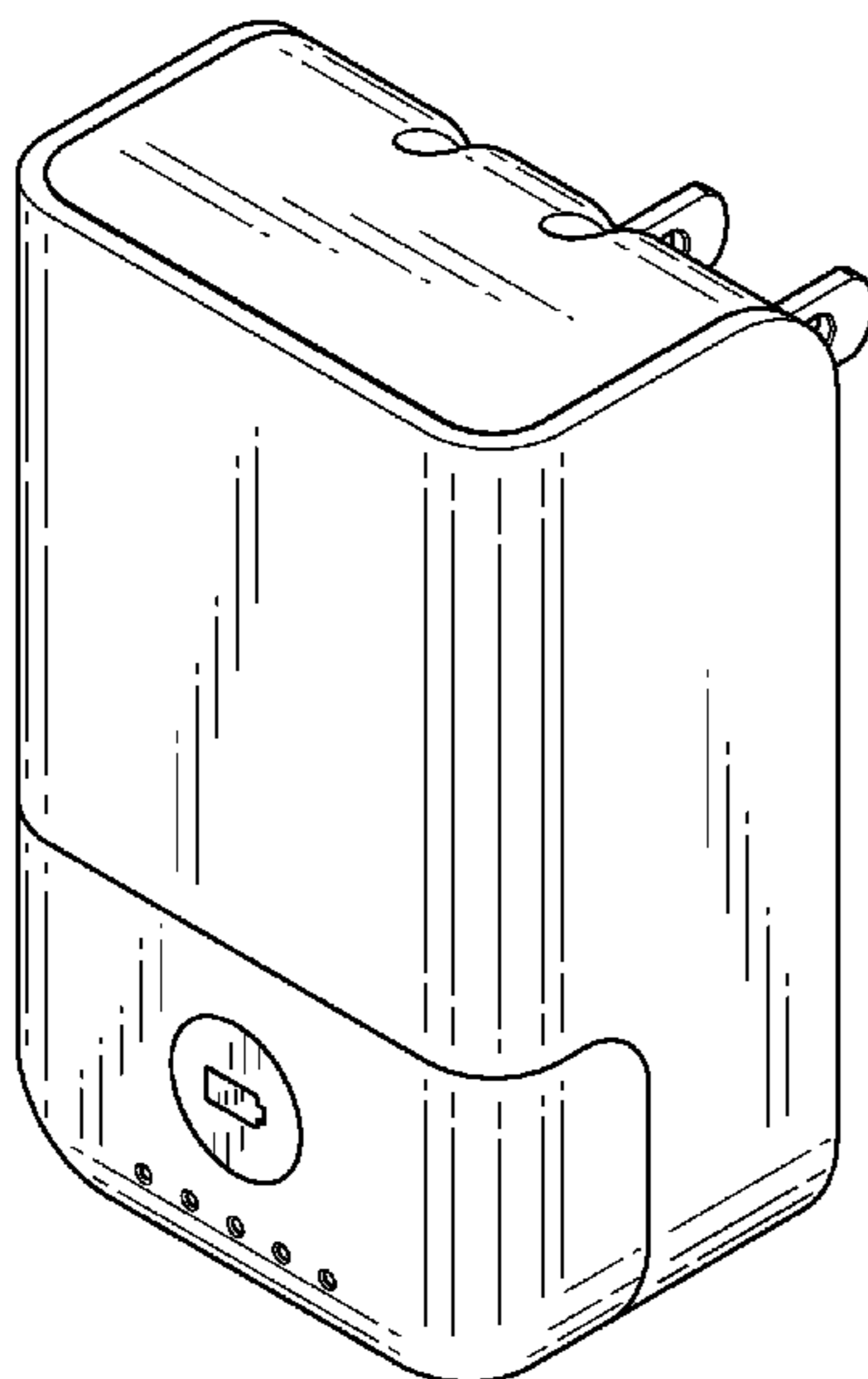
(57) **CLAIM**

The ornamental design for a charger with a backup battery, as shown and described.

DESCRIPTION

FIG. 1 is an isometric view showing the new design for a charger with a backup battery;
FIG. 2 is an exploded view of the charger with a backup battery;
FIG. 3 is a front view of the charger with a backup battery;
FIG. 4 is a back view of the charger with a backup battery;
FIG. 5 is a left side view of the charger with a backup battery;
FIG. 6 is a right side view of the c charger with a backup battery;
FIG. 7 is a top view of the charger with a backup battery; and,
FIG. 8 is a bottom view of the charger with a backup battery.
The broken lines in the drawing figures are for the purpose of illustrating standardized features of the connectors and form no part of the claimed design.

1 Claim, 3 Drawing Sheets



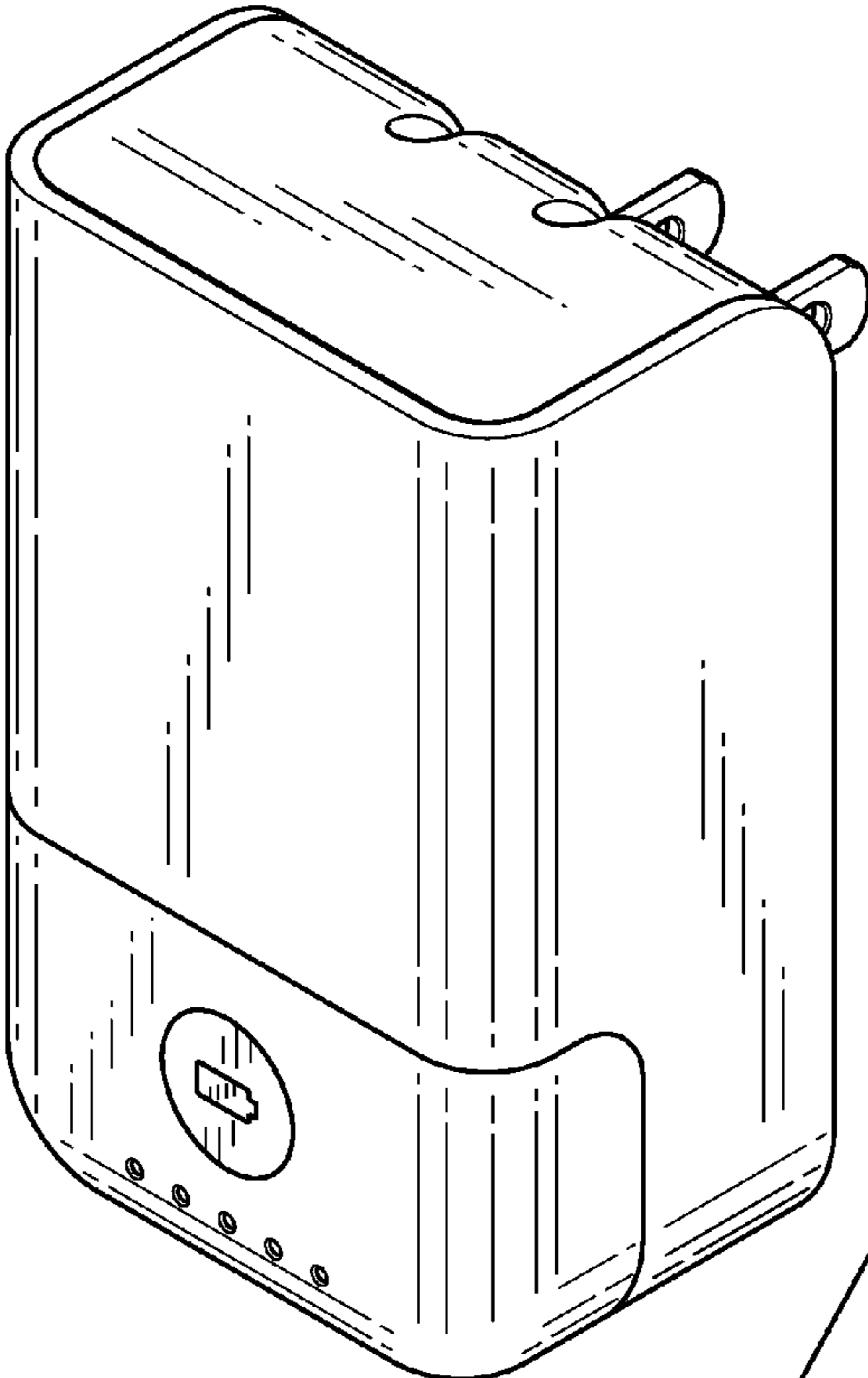


FIG. 1

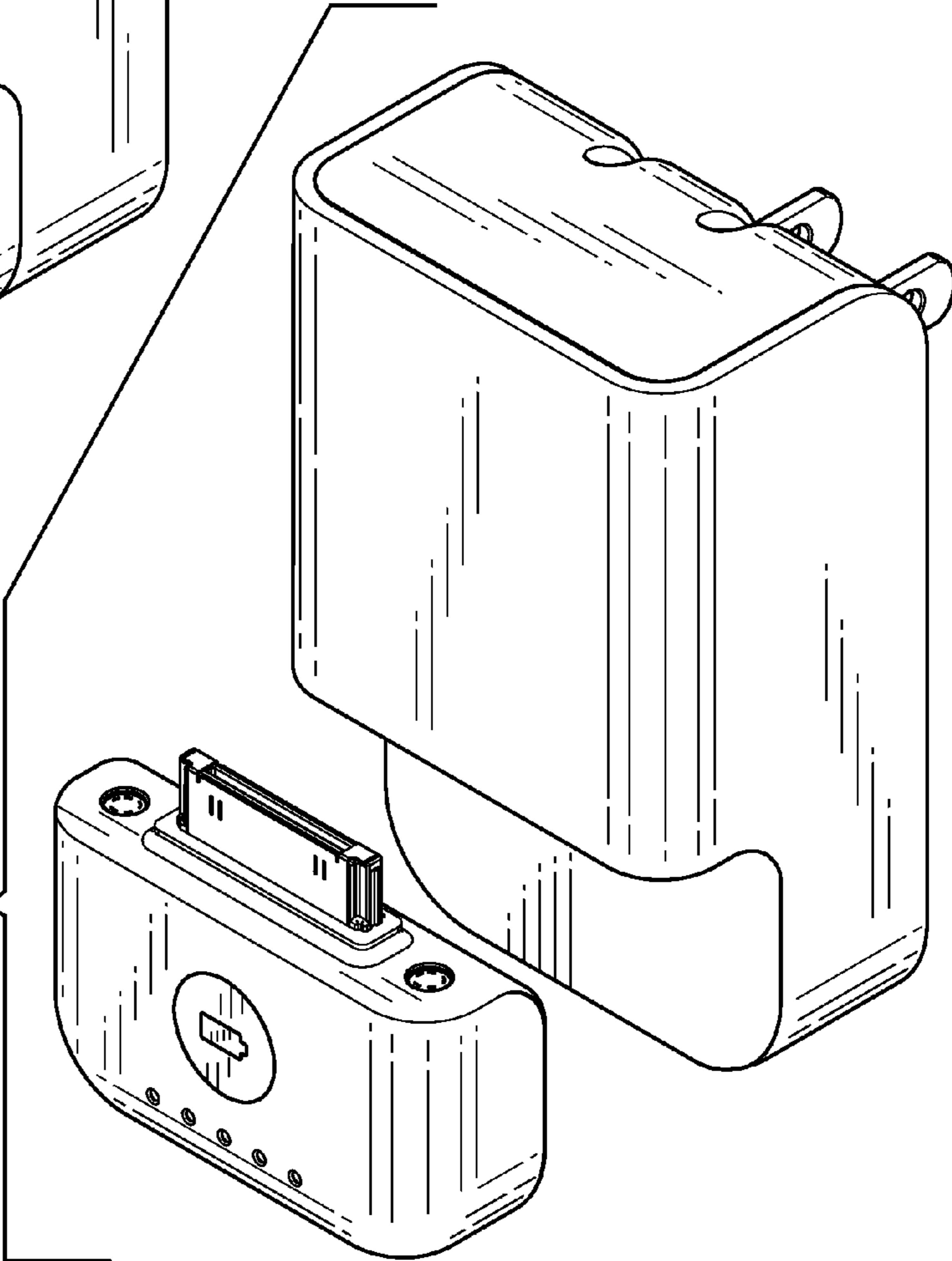


FIG. 2

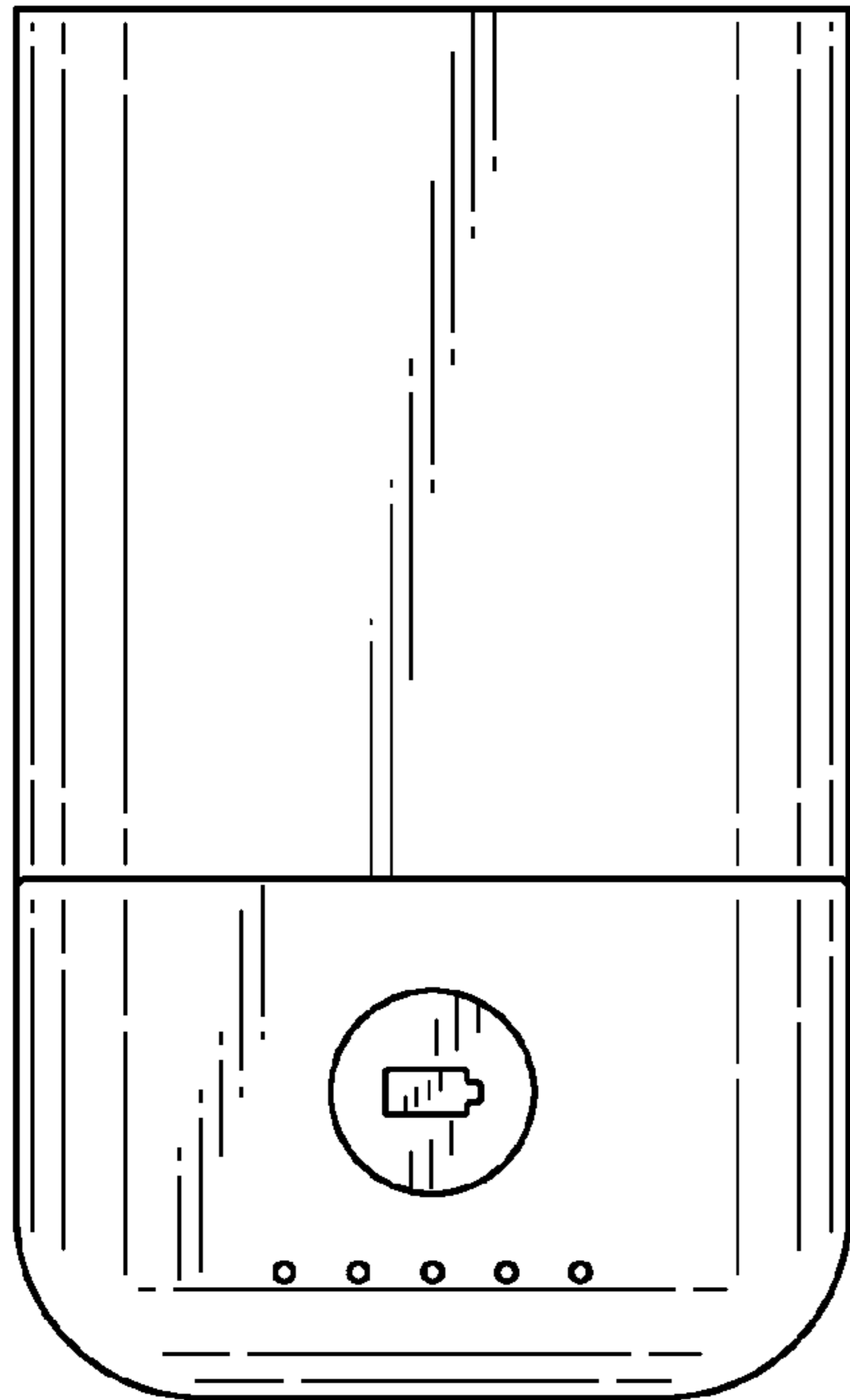


FIG. 3

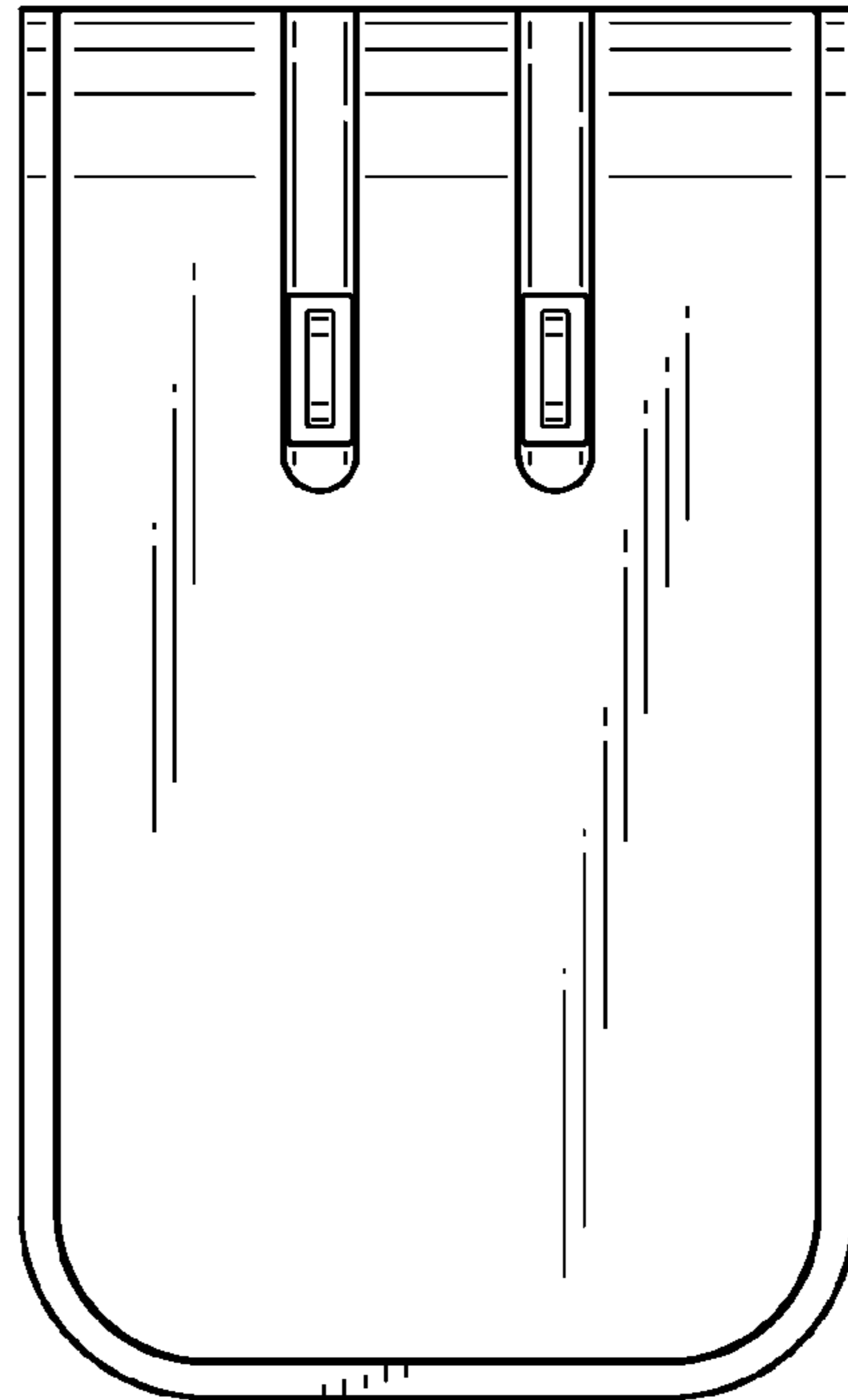


FIG. 4

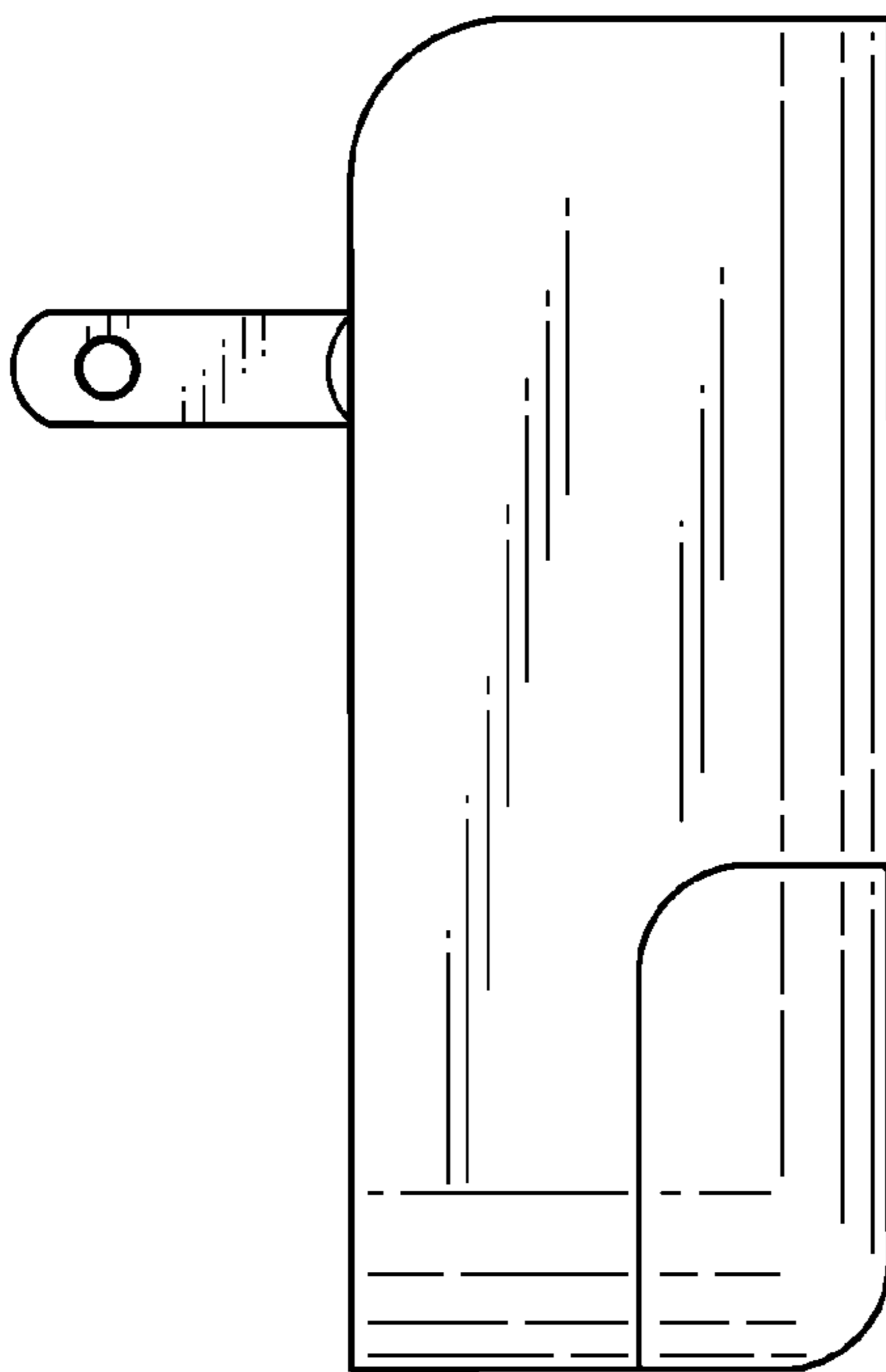


FIG. 5

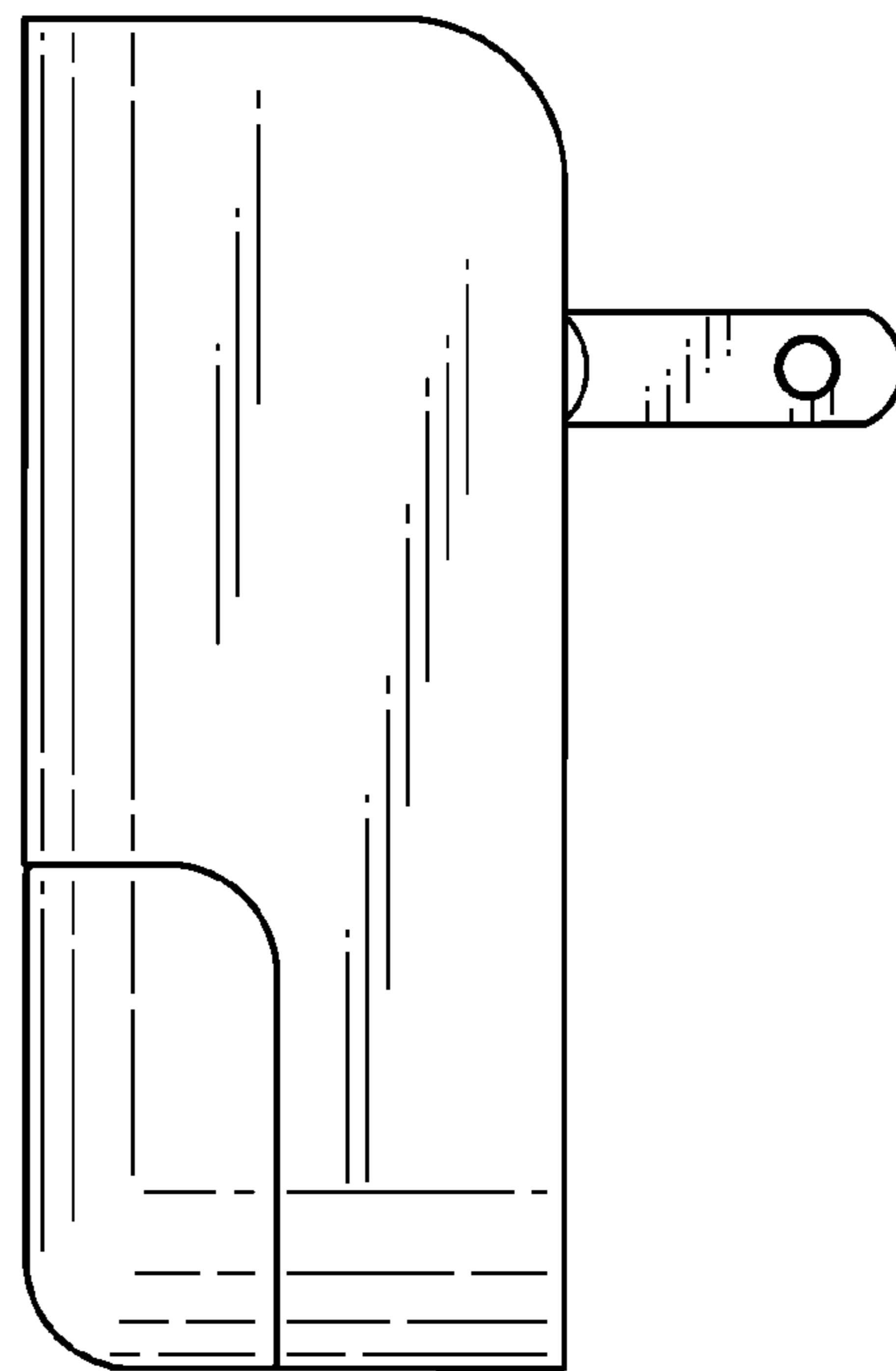


FIG. 6

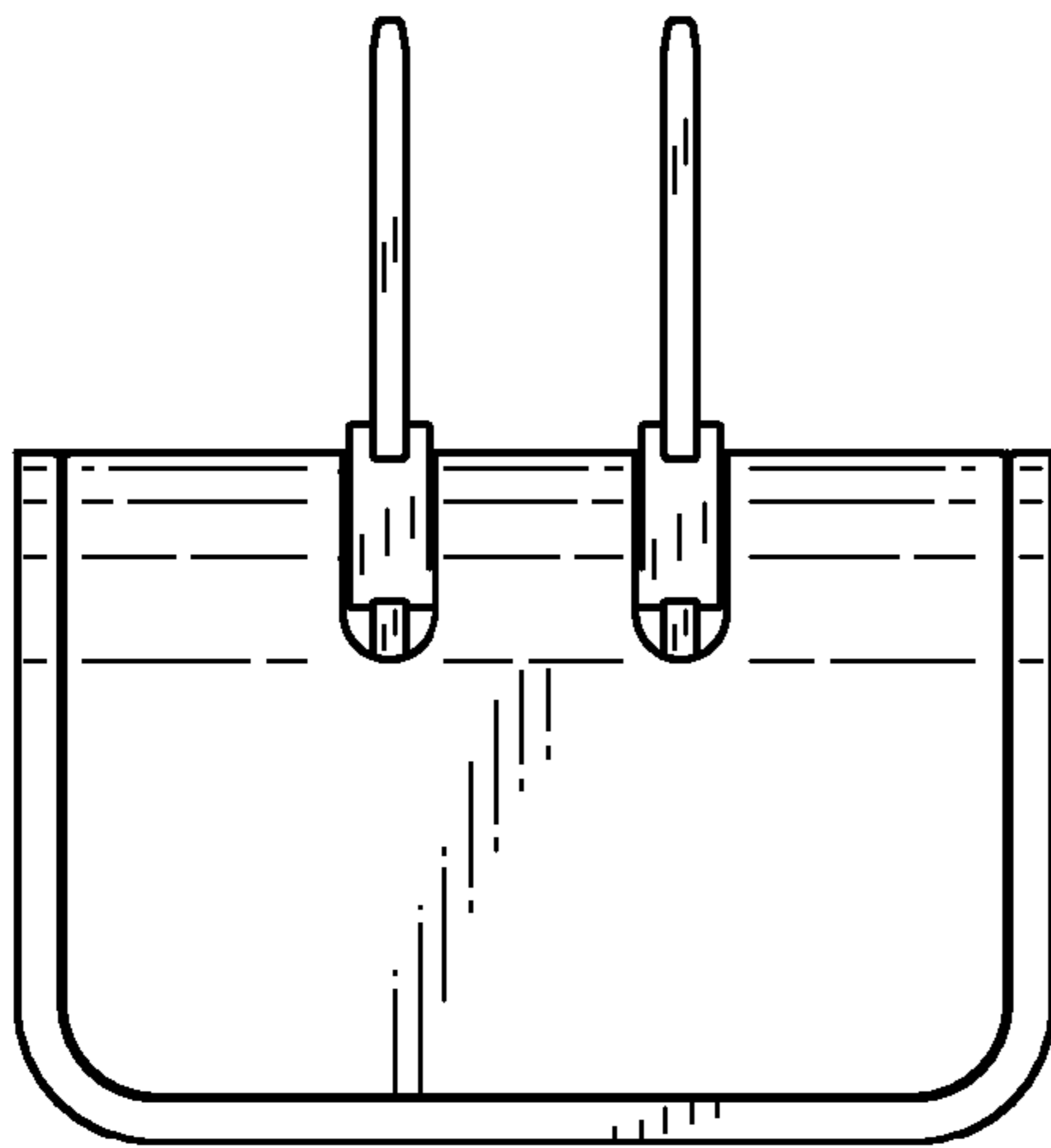


FIG. 7

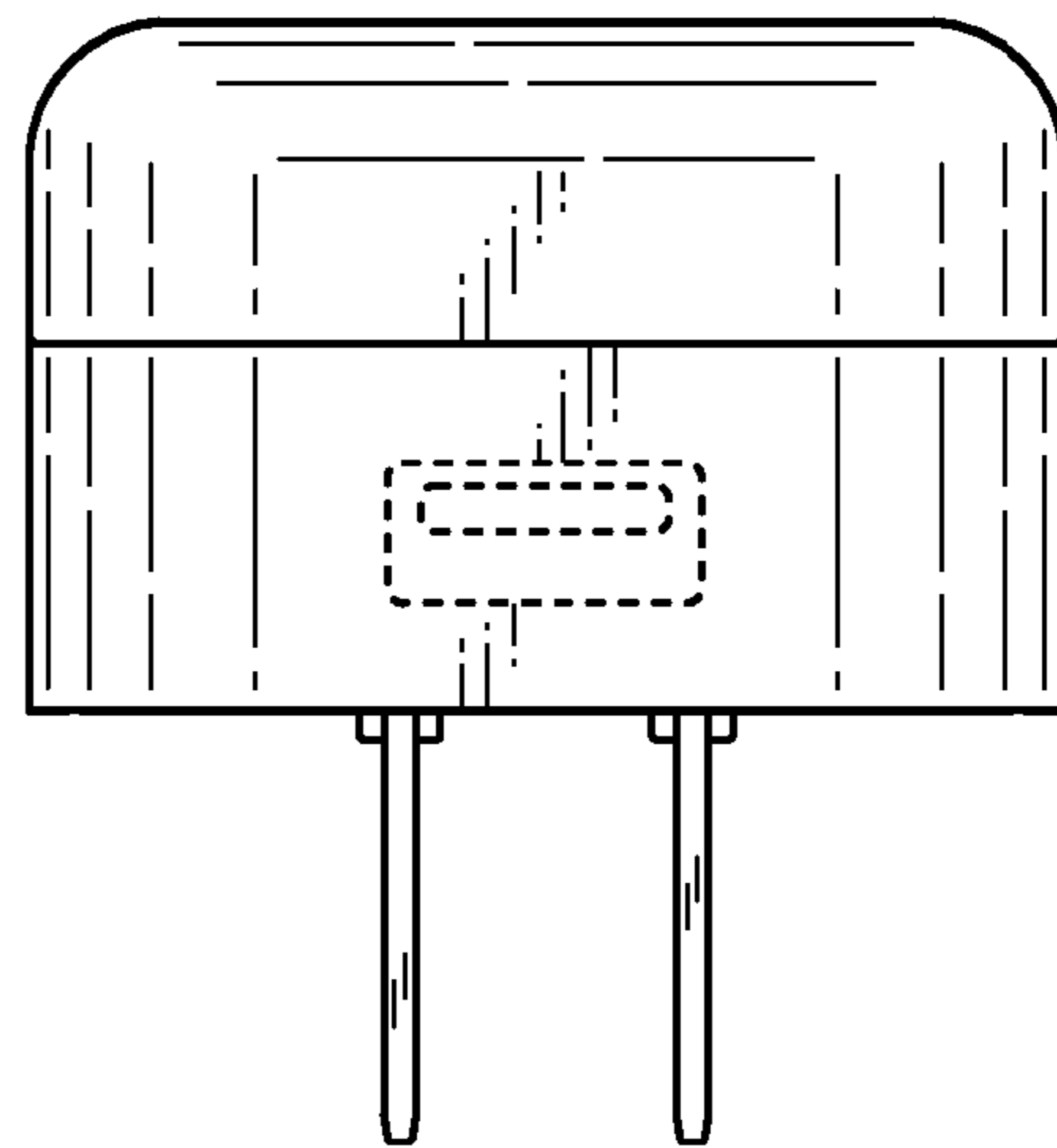


FIG. 8