



US00D634262S

(12) **United States Design Patent**
Kujime

(10) **Patent No.:** **US D634,262 S**

(45) **Date of Patent:** **** Mar. 15, 2011**

(54) **TIRE FOR AUTOMOBILE**

(75) Inventor: **Tomoyuki Kujime**, Hyogo (JP)

(73) Assignee: **The Goodyear Tire & Rubber Company**, Akron, OH (US)

(**) Term: **14 Years**

(21) Appl. No.: **29/334,077**

(22) Filed: **Mar. 20, 2009**

(30) **Foreign Application Priority Data**

Oct. 3, 2008 (JP) 2008-025460

(51) **LOC (9) Cl.** **12-15**

(52) **U.S. Cl.** **D12/521**

(58) **Field of Classification Search** D12/505-532;
152/209.1, 209.8, 209.9, 209.12, 209.18,
152/209.25

See application file for complete search history.

(56) **References Cited**

U.S. PATENT DOCUMENTS

D368,687 S	4/1996	Hayashi	D12/147
D392,226 S	3/1998	Howald et al.	D12/141
D452,667 S	1/2002	Tsubono	D12/147
D490,045 S	5/2004	Delu et al.	D12/519
D491,517 S	6/2004	Matsumoto et al.	D12/554
D502,441 S *	3/2005	Lo	D12/521
D515,019 S	2/2006	Umstot et al.	D12/519
D522,442 S	6/2006	Shirouzu	D12/515
D531,116 S	10/2006	Heinen et al.	D12/590
D542,217 S	5/2007	Heinen et al.	D12/555
D575,725 S *	8/2008	Hirai et al.	D12/518
D593,931 S *	6/2009	Fontaine et al.	D12/521
D626,910 S *	11/2010	Bott et al.	D12/519

* cited by examiner

Primary Examiner — Caron Veynar

Assistant Examiner — George D Kirschbaum

(74) *Attorney, Agent, or Firm* — Richard B. O'Planick

(57) **CLAIM**

The ornamental design for a tire for automobile, as shown and described.

DESCRIPTION

FIG. 1 is a perspective view of a tire for automobile showing my new design, it being understood that the pattern repeats uniformly throughout the circumference of the tread;

FIG. 2 is a front elevational view thereof;

FIG. 3 is a right side elevational view thereof; the opposite side elevational view being identical thereto;

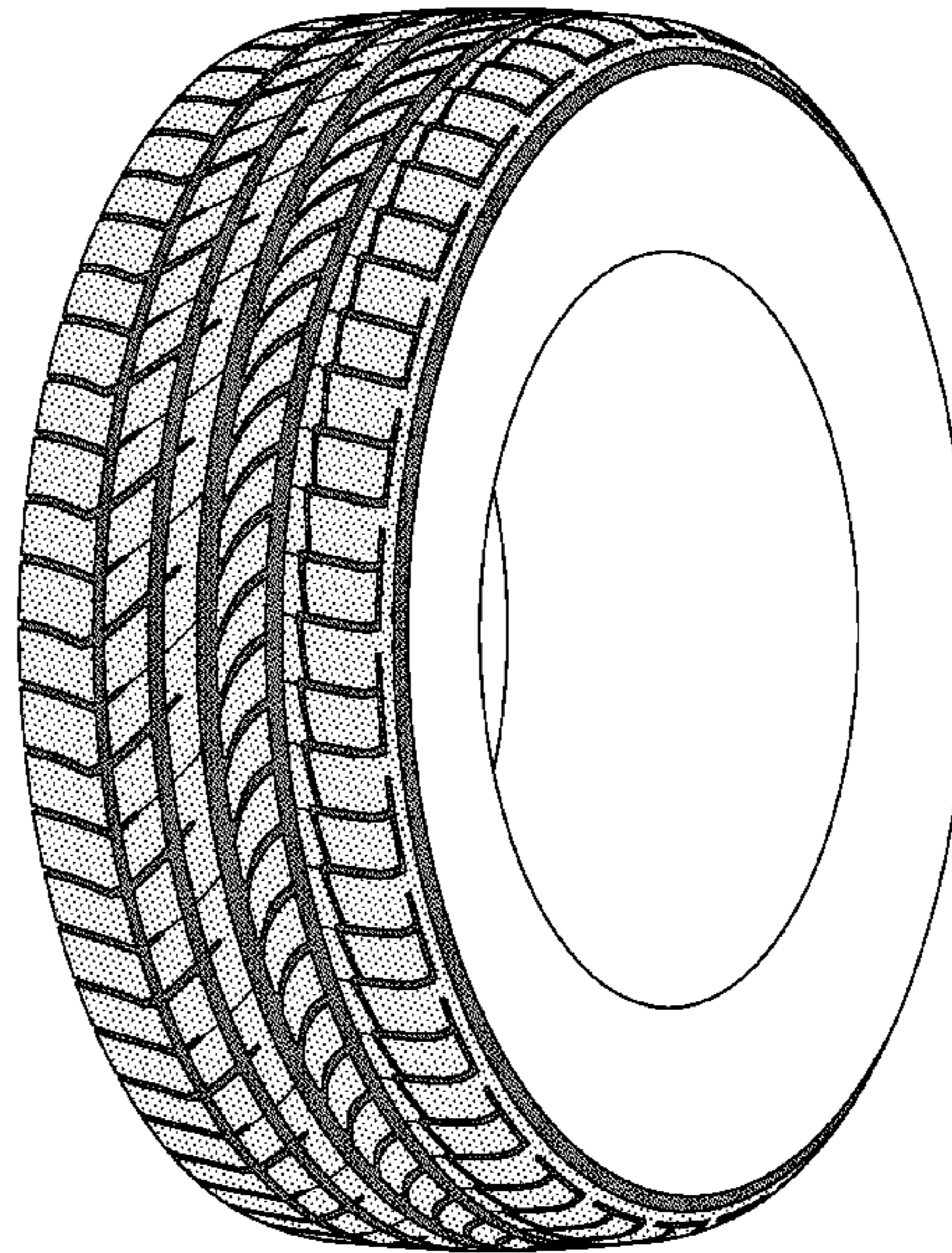
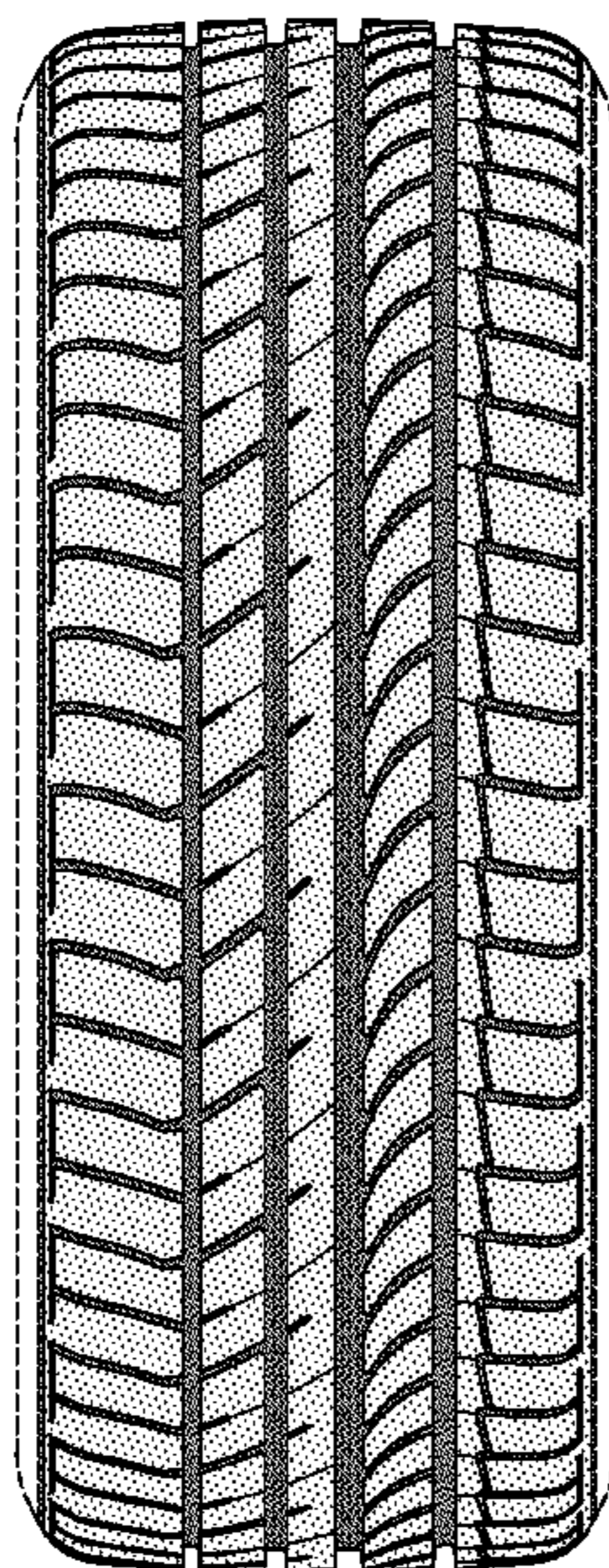
FIG. 4 is an enlarged fragmentary front elevational view thereof;

FIG. 5 is a perspective view of a second embodiment of a tire for automobile showing my new design, it being understood that the pattern repeats uniformly throughout the circumference of the tread and that the opposite side perspective view is identical thereto; and,

FIG. 6 is a front elevational view of a second embodiment, it being understood that an enlarged fragmentary view thereof would be substantially identical to that shown in FIG. 4, with the exception of the inclusion of the sidewall in solid lines.

In the drawings, the broken lines showing of the sidewall, inner bead and the peripheral boundary between the tire tread and the sidewall in FIGS. 1 through 4 depict environmental subject matter and form no part of the claimed design.

1 Claim, 6 Drawing Sheets



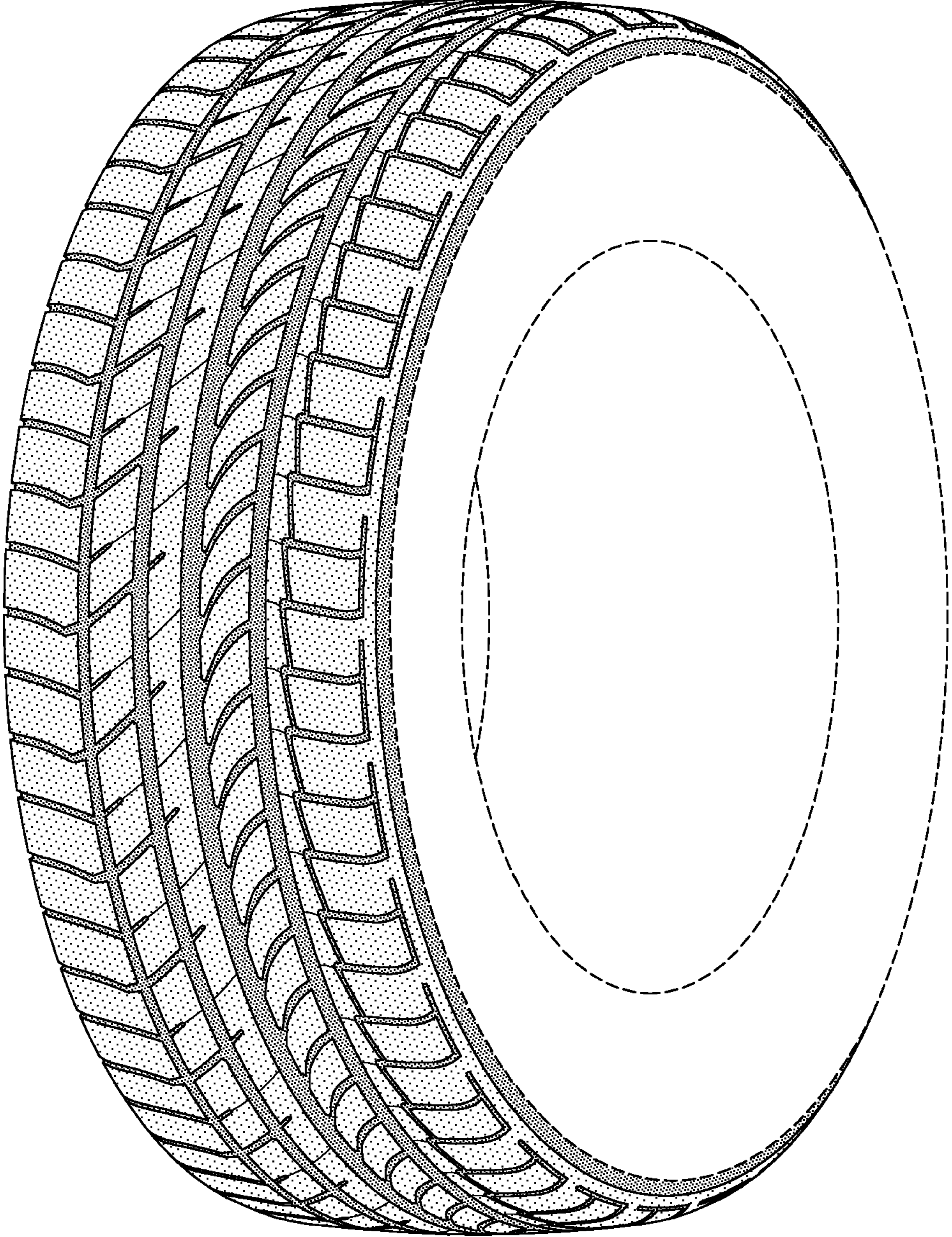


FIG-1

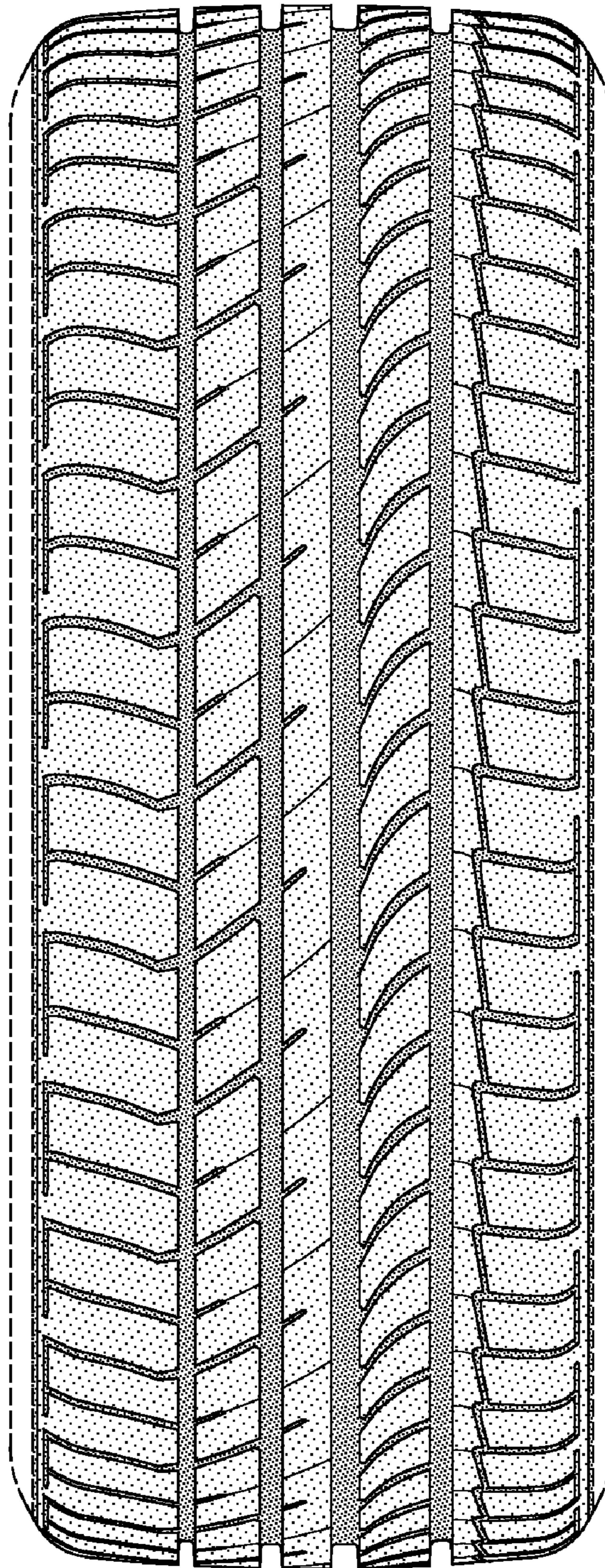


FIG-2

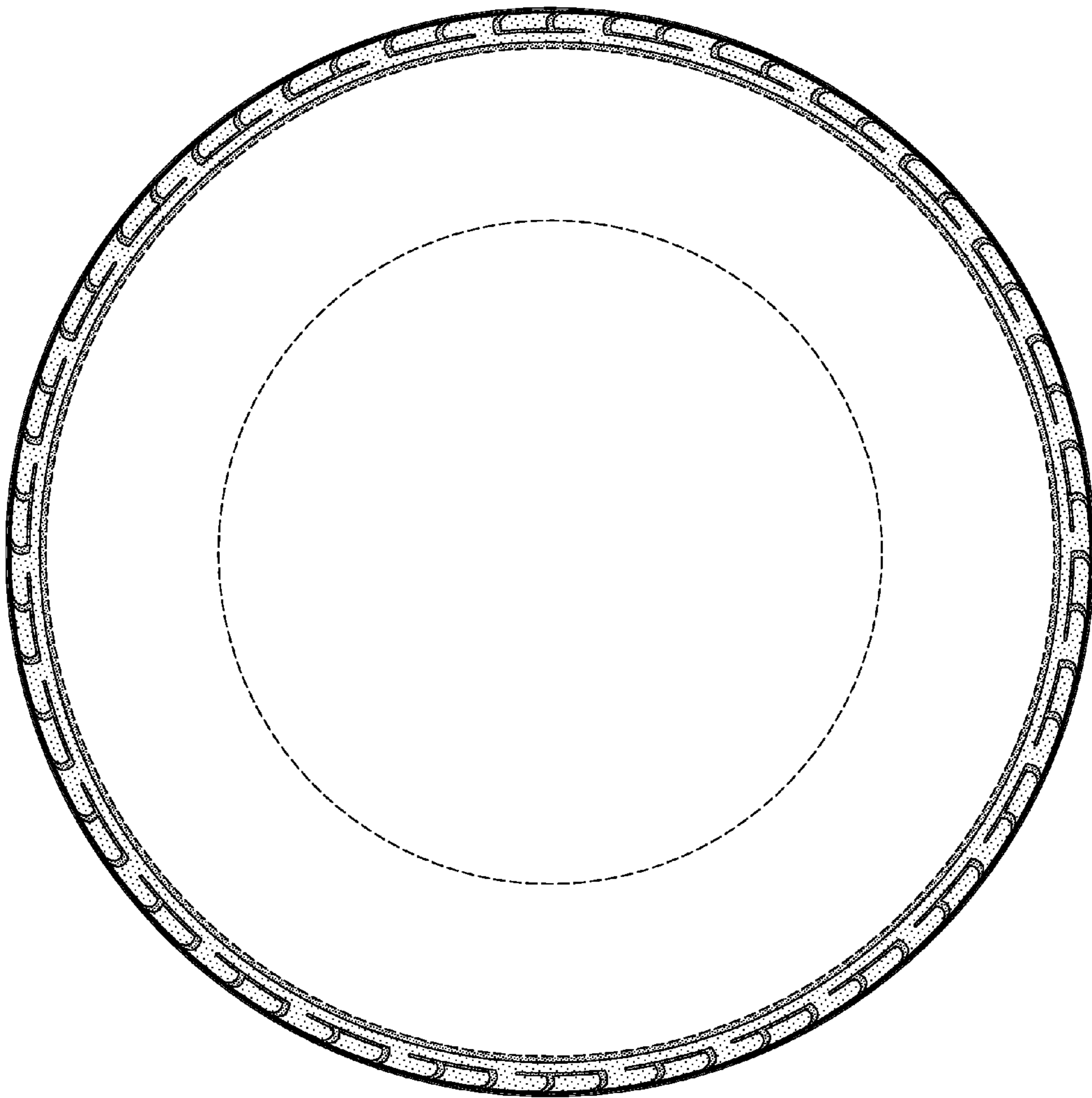


FIG-3

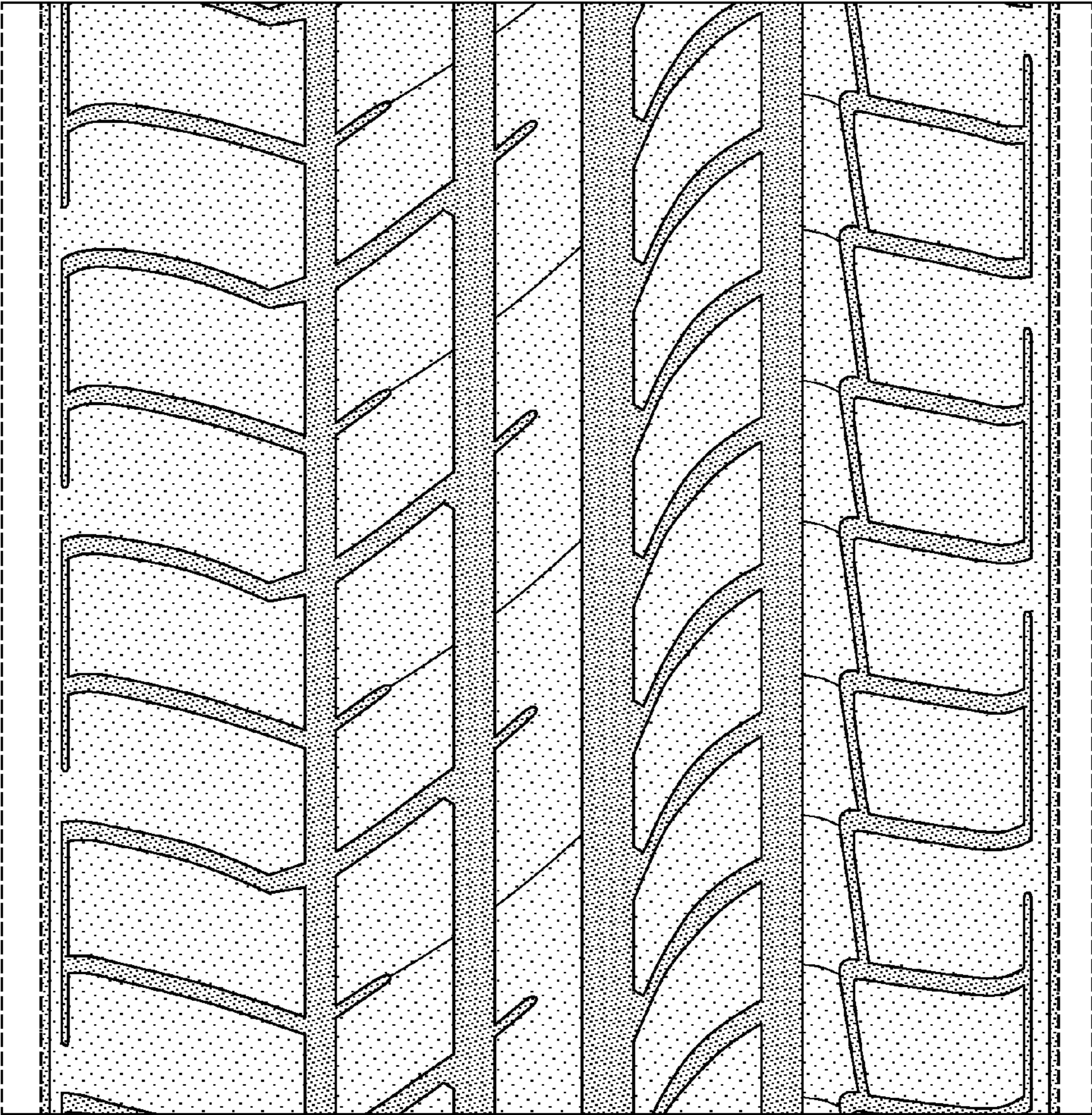


FIG-4

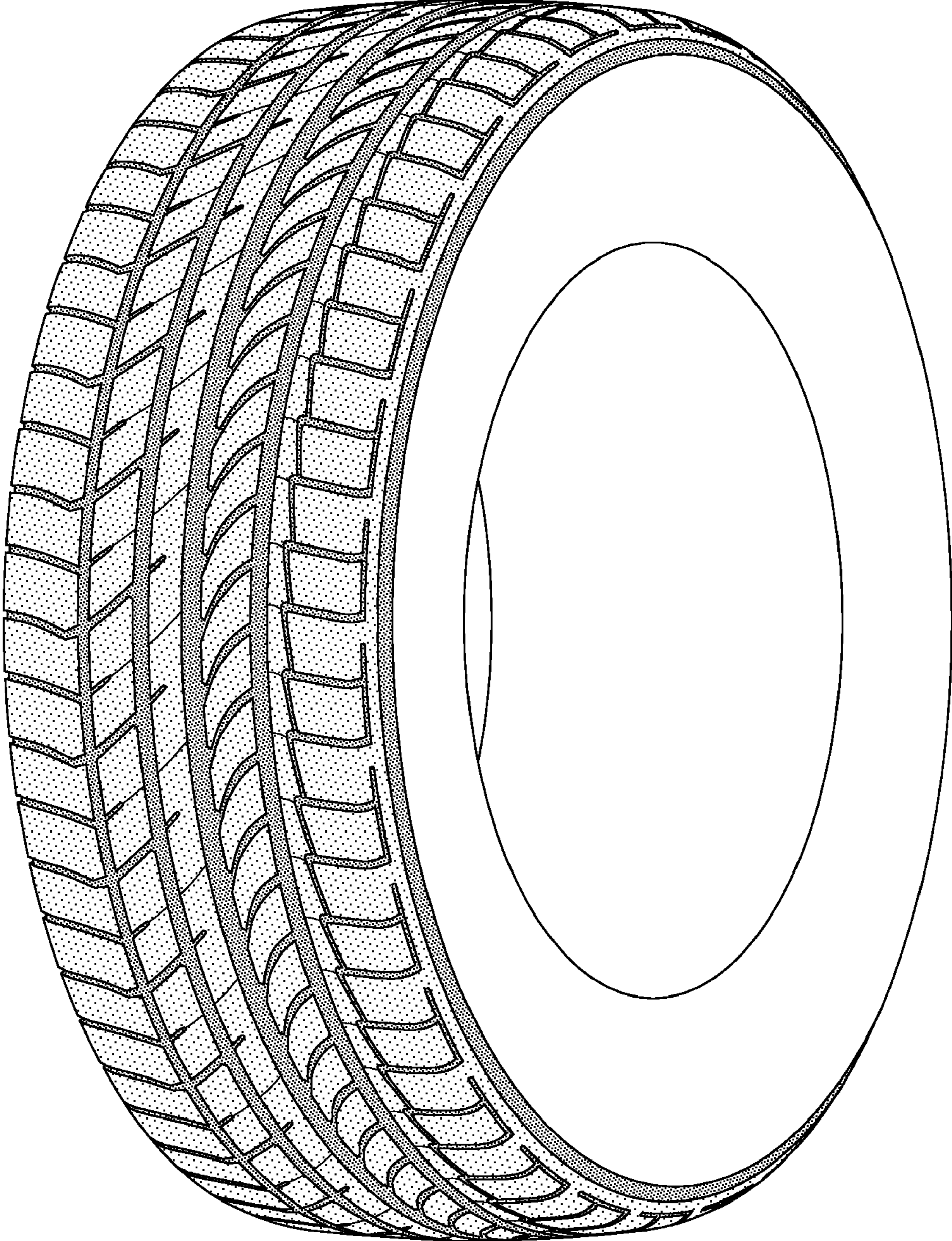


FIG-5

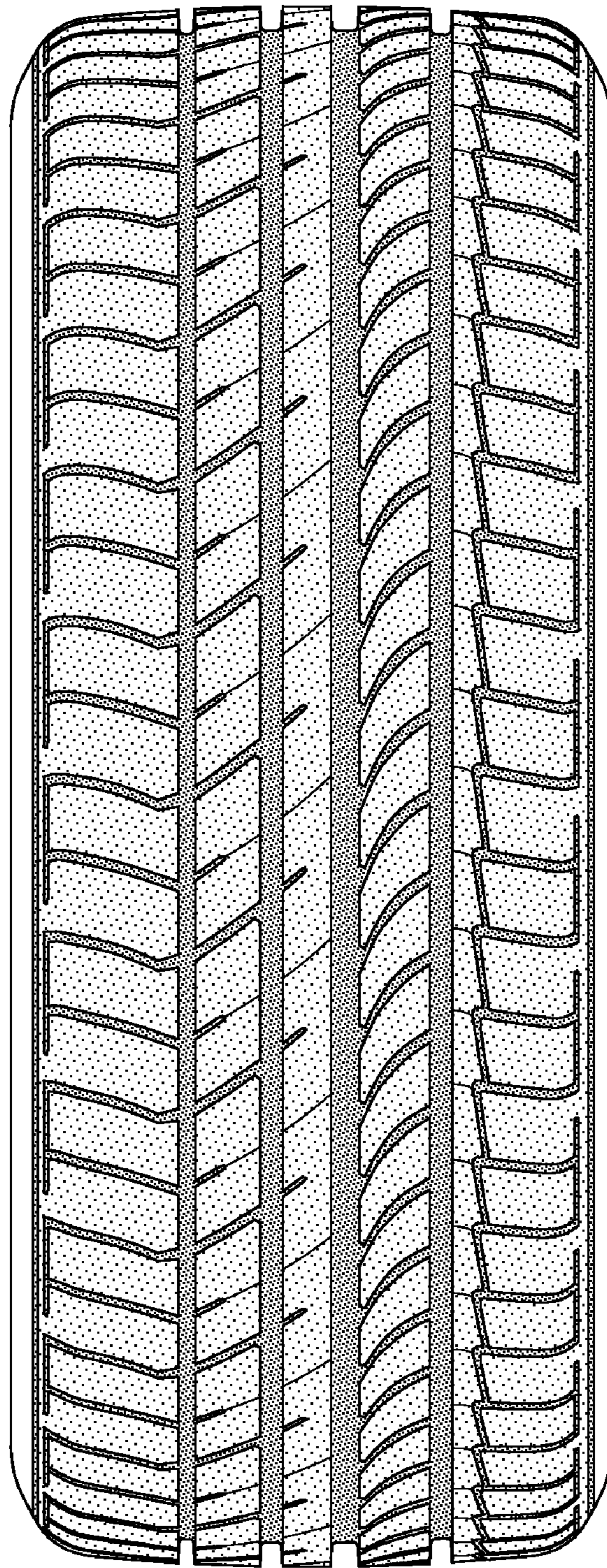


FIG-6