



US00D634253S

(12) **United States Design Patent**
Johnson

(10) **Patent No.:** **US D634,253 S**

(45) **Date of Patent:** **** Mar. 15, 2011**

(54) **AUTOMOTIVE WHEEL**

(75) Inventor: **Kelly Johnson**, Placentia, CA (US)

(73) Assignee: **MKW Alloy Inc**, City of Industry, CA (US)

(**) Term: **14 Years**

(21) Appl. No.: **29/352,118**

(22) Filed: **Dec. 16, 2009**

(51) **LOC (9) Cl.** **12-16**

(52) **U.S. Cl.** **D12/211**

(58) **Field of Classification Search** D12/204-213;
301/37.101, 64.101, 65, 64.201

See application file for complete search history.

(56) **References Cited**

U.S. PATENT DOCUMENTS

D499,686 S	*	12/2004	Song	D12/211
D516,489 S	*	3/2006	Alonso	D12/211
D520,931 S	*	5/2006	Hieke	D12/211

D541,203 S	*	4/2007	Sulahian	D12/211
D543,923 S	*	6/2007	Hieke	D12/211
D556,113 S	*	11/2007	Celik	D12/211
D573,523 S	*	7/2008	McMath	D12/211
D578,053 S	*	10/2008	Neeper	D12/211
D593,022 S	*	5/2009	Forster et al.	D12/211
D596,548 S	*	7/2009	Gallert	D12/211
D596,551 S	*	7/2009	Futschik et al.	D12/211
D610,516 S	*	2/2010	Dilber et al.	D12/211

* cited by examiner

Primary Examiner — Stacia Cadmus

(74) *Attorney, Agent, or Firm* — MKW Alloy Inc; Kevin Lee

(57) **CLAIM**

The ornamental design for an automotive wheel, as shown and described.

DESCRIPTION

FIG. 1 is a front view of an automotive wheel, showing my new design; and, FIG. 2 is a perspective view thereof.

1 Claim, 2 Drawing Sheets

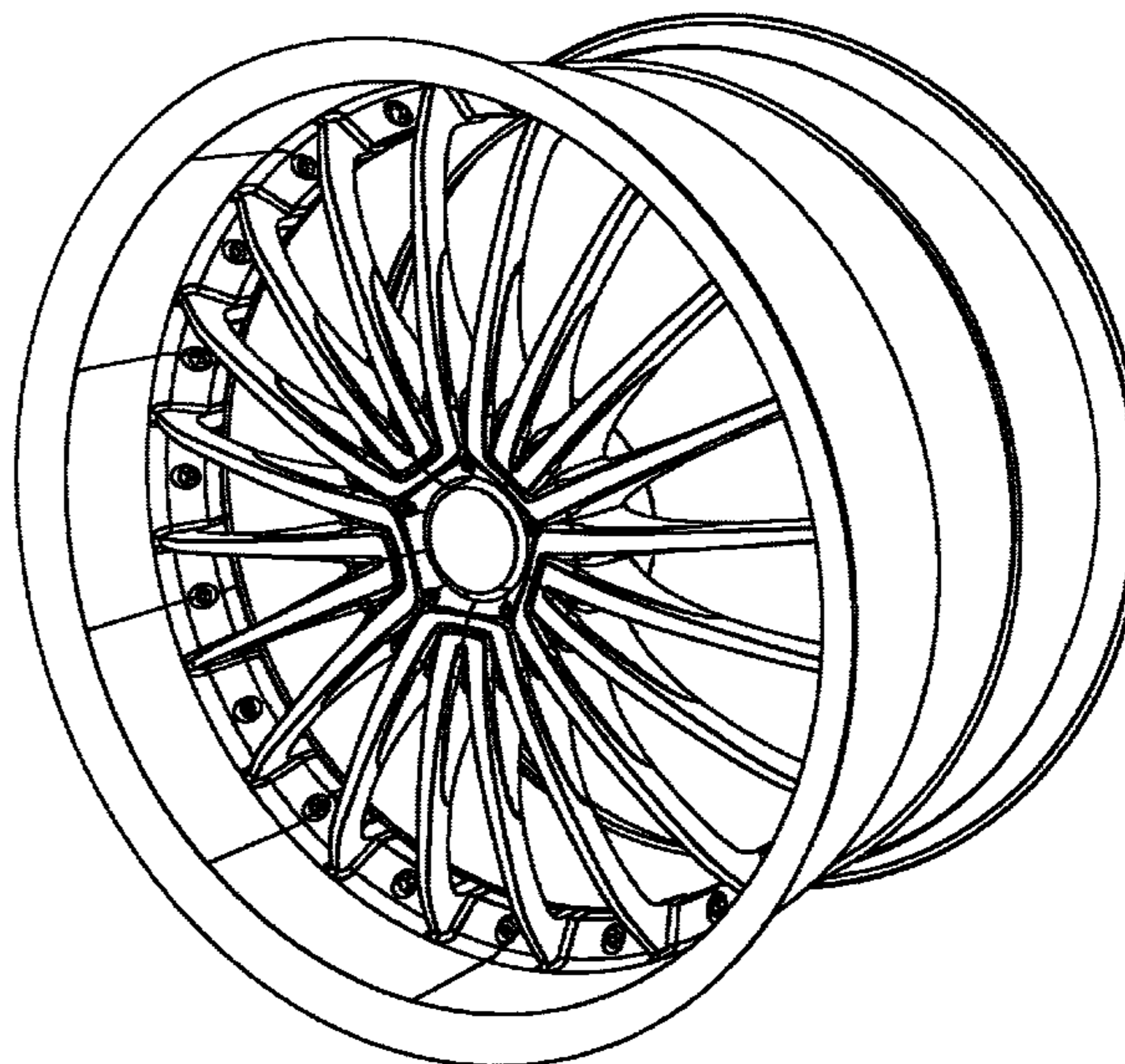
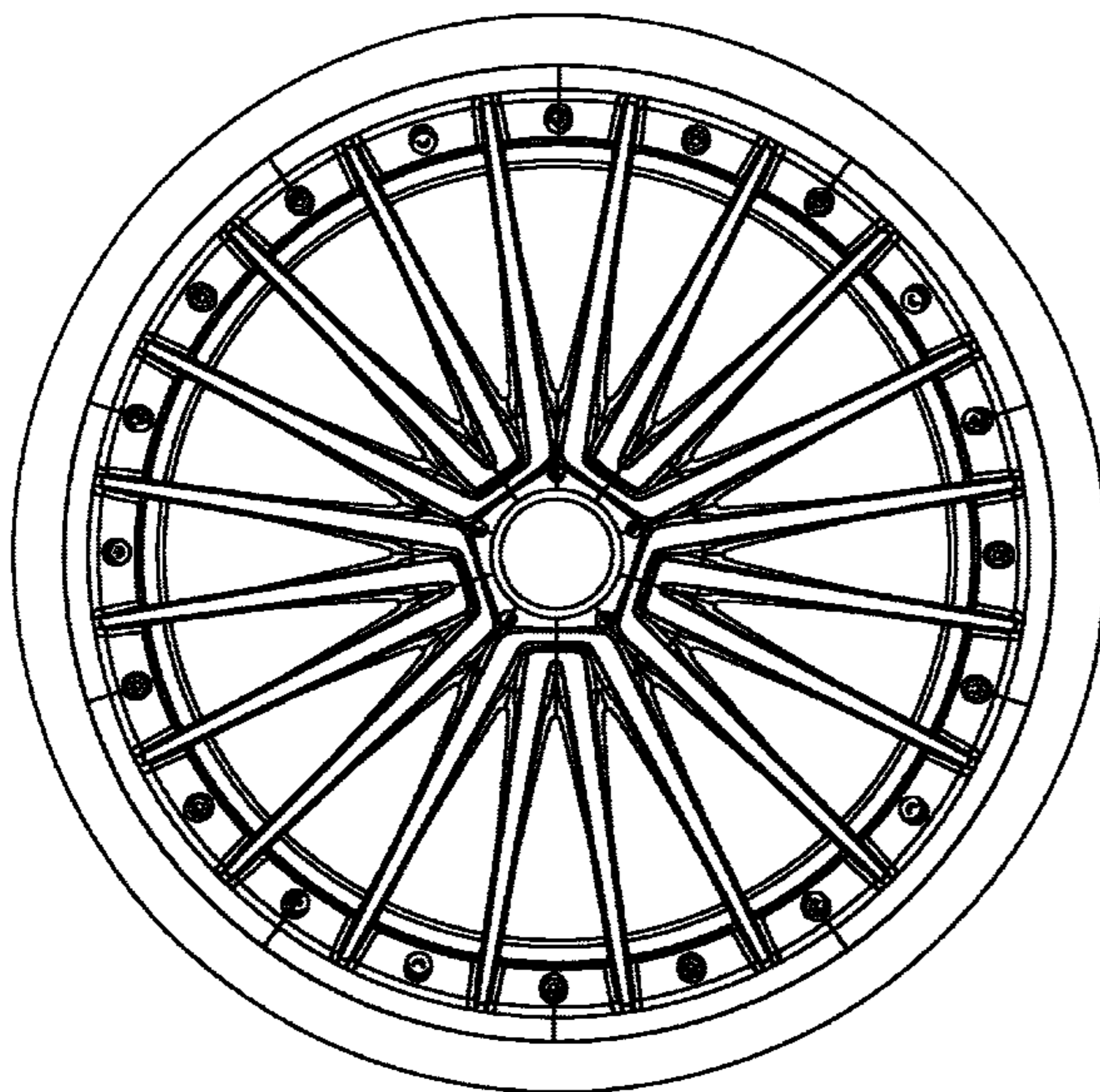


FIGURE 1

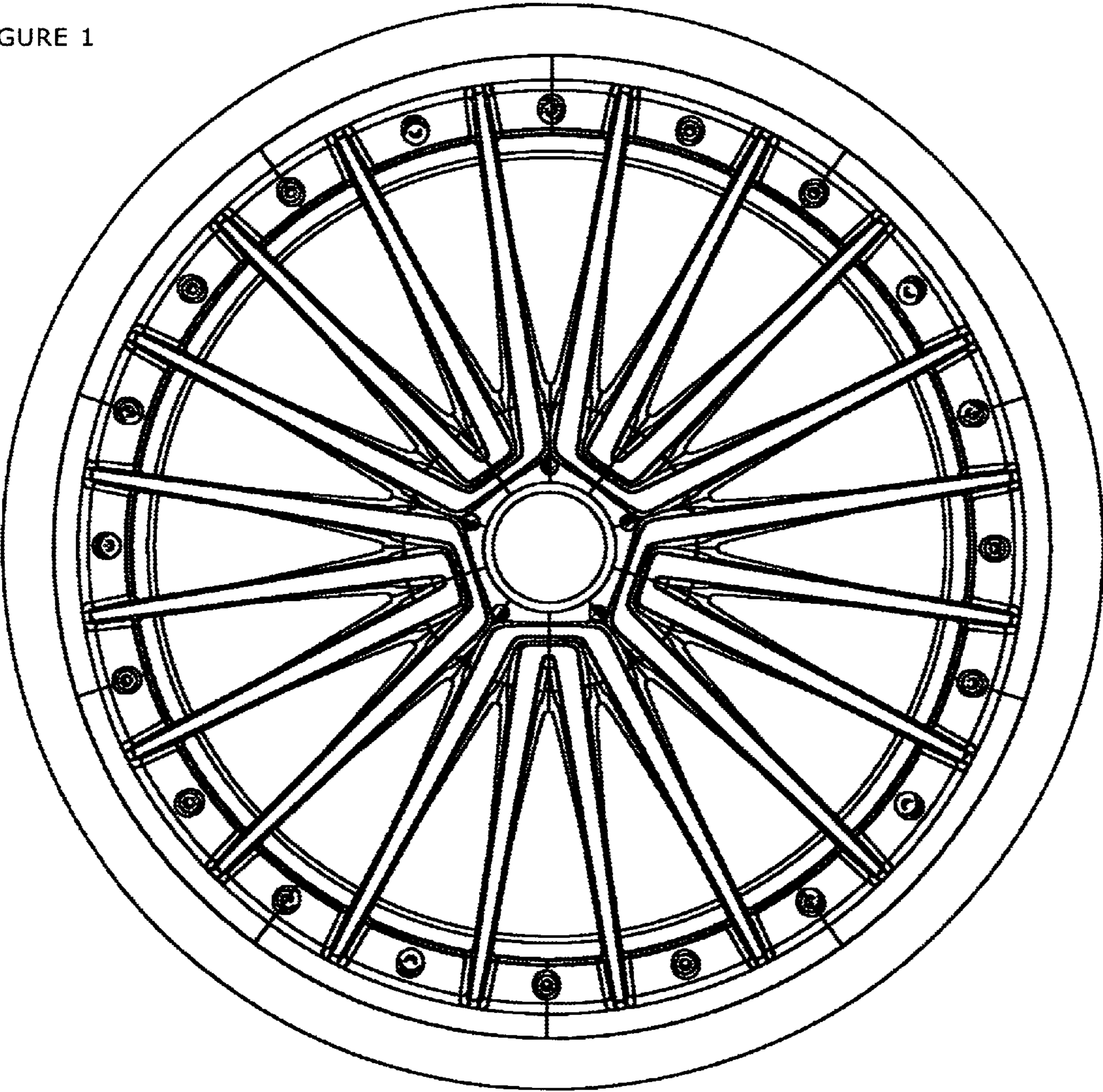


FIGURE 2

