



US00D634252S

(12) **United States Design Patent**
Johnson

(10) **Patent No.:** **US D634,252 S**

(45) **Date of Patent:** **** Mar. 15, 2011**

(54) **AUTOMOTIVE WHEEL**

(75) Inventor: **Kelly Johnson**, Placentia, CA (US)

(73) Assignee: **MKW Alloy Inc**, City of Industry, CA (US)

(**) Term: **14 Years**

(21) Appl. No.: **29/351,609**

(22) Filed: **Dec. 8, 2009**

(51) **LOC (9) Cl.** **12-16**

(52) **U.S. Cl.** **D12/211**

(58) **Field of Classification Search** D12/204-213;
301/37.101, 64.101, 65, 64.201

See application file for complete search history.

(56) **References Cited**

U.S. PATENT DOCUMENTS

D456,757 S * 5/2002 Schroeder D12/211
D535,242 S * 1/2007 Lyew D12/211

D542,211 S * 5/2007 Hieke D12/211
D544,823 S * 6/2007 Hieke D12/211
D551,609 S * 9/2007 Hettler D12/211
D585,804 S * 2/2009 Pfeiffer D12/209
D596,100 S * 7/2009 Aroney D12/211
D603,779 S * 11/2009 Futschik et al. D12/211
D605,999 S * 12/2009 Stopp D12/211
D610,064 S * 2/2010 Dilber et al. D12/211

* cited by examiner

Primary Examiner — Stacia Cadmus

(74) *Attorney, Agent, or Firm* — MKW Alloy Inc; Kevin Lee

(57) **CLAIM**

The ornamental design for an automotive wheel, as shown and described.

DESCRIPTION

FIG. 1 is a front view of an automotive wheel, showing my new design; and, FIG. 2 is a perspective view thereof.

1 Claim, 2 Drawing Sheets

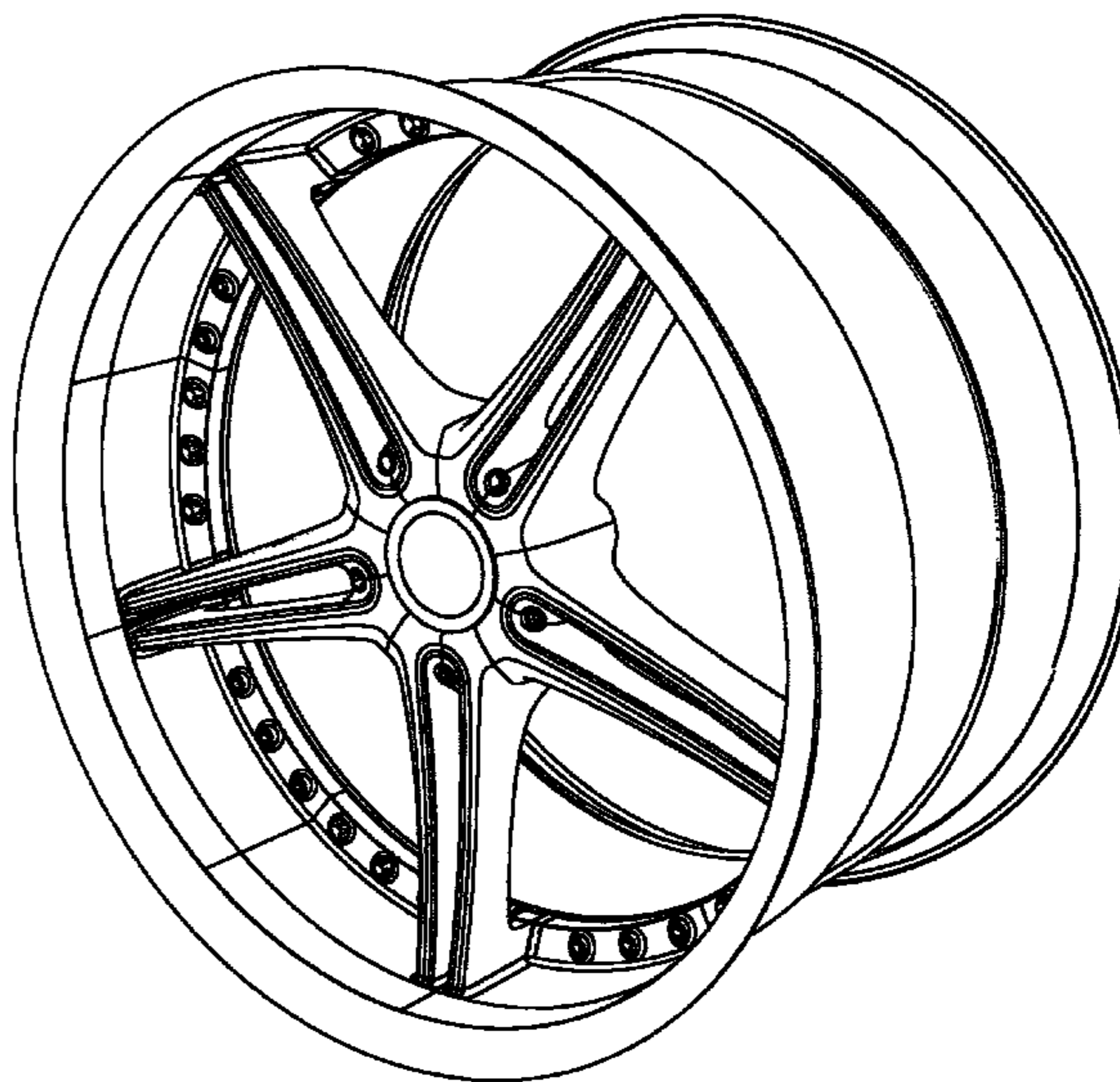
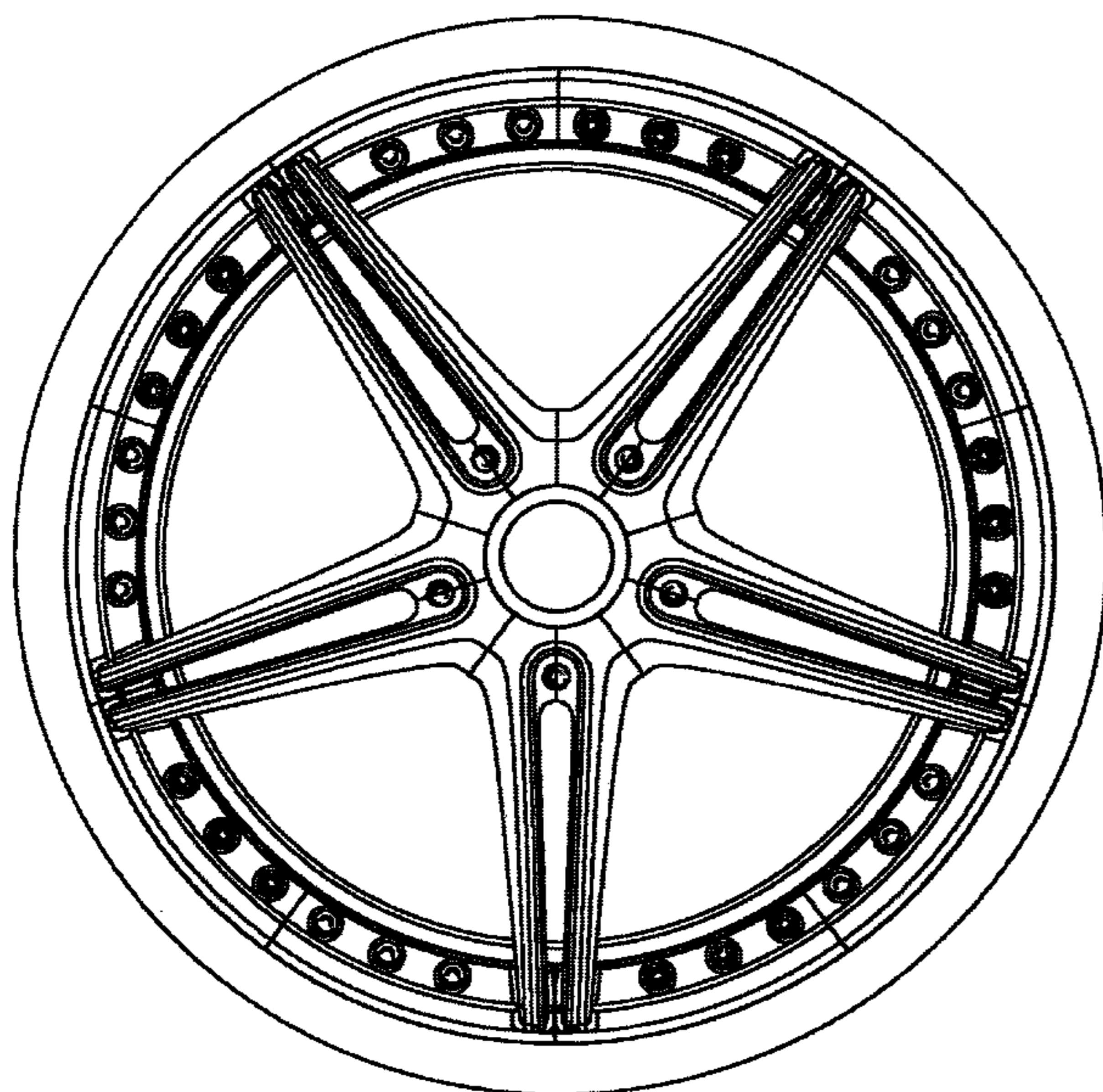


FIGURE 1

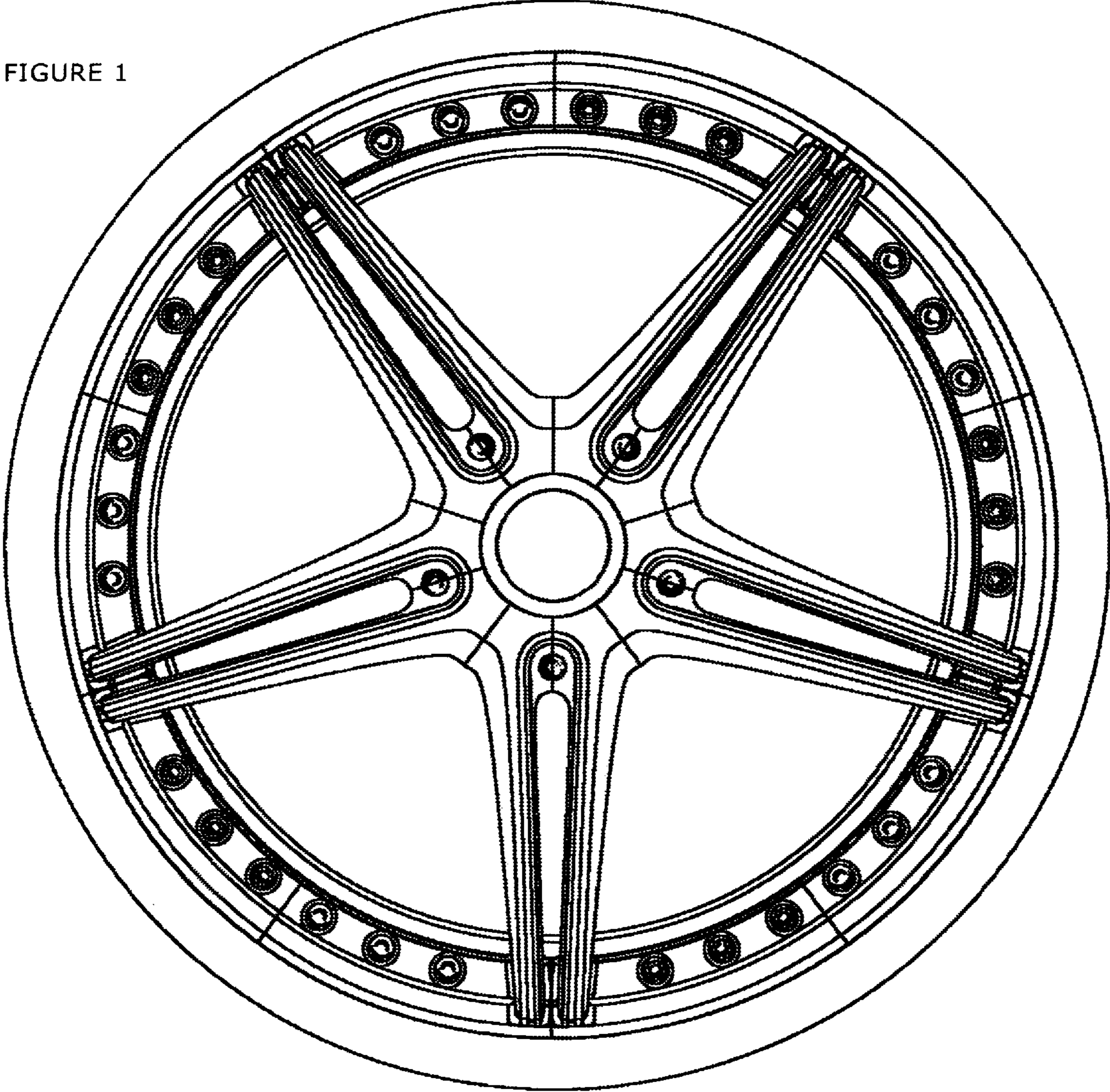


FIGURE 2

