



US00D634251S

(12) **United States Design Patent**
Grill et al.

(10) **Patent No.:** **US D634,251 S**

(45) **Date of Patent:** **** Mar. 15, 2011**

(54) **WHEEL OR WHEEL COVER**

(75) Inventors: **Paul Grill**, Lansing, MI (US); **Garry Van Houten**, Middleville, MI (US)

(73) Assignee: **Lacks Enterprises, Inc.**, Grand Rapids, MI (US)

(**) Term: **14 Years**

(21) Appl. No.: **29/350,200**

(22) Filed: **Nov. 12, 2009**

(51) **LOC (9) Cl.** **12-16**

(52) **U.S. Cl.** **D12/211**

(58) **Field of Classification Search** D12/204-213;
301/37.101, 64.101, 65, 64.201

See application file for complete search history.

(56) **References Cited**

U.S. PATENT DOCUMENTS

D236,975 S *	9/1975	May	D12/209
D411,160 S *	6/1999	Hall	D12/211
D470,449 S *	2/2003	Bernoni	D12/211
D491,128 S *	6/2004	Hall et al.	D12/211
D495,649 S *	9/2004	Schell et al.	D12/209

D506,173 S *	6/2005	Pfeiffer	D12/211
D524,214 S *	7/2006	Pfeiffer et al.	D12/211
D524,219 S *	7/2006	Scheu	D12/211
D541,205 S *	4/2007	Plumer	D12/211
D576,937 S *	9/2008	Imai	D12/211
D580,335 S *	11/2008	Choi et al.	D12/211
D588,516 S *	3/2009	Nagashima	D12/211
D612,789 S *	3/2010	Tant et al.	D12/211
D614,111 S *	4/2010	Tant et al.	D12/211

* cited by examiner

Primary Examiner — Stacia Cadmus

(74) *Attorney, Agent, or Firm* — Price, Heneveld, Cooper, DeWitt & Litton, LLP

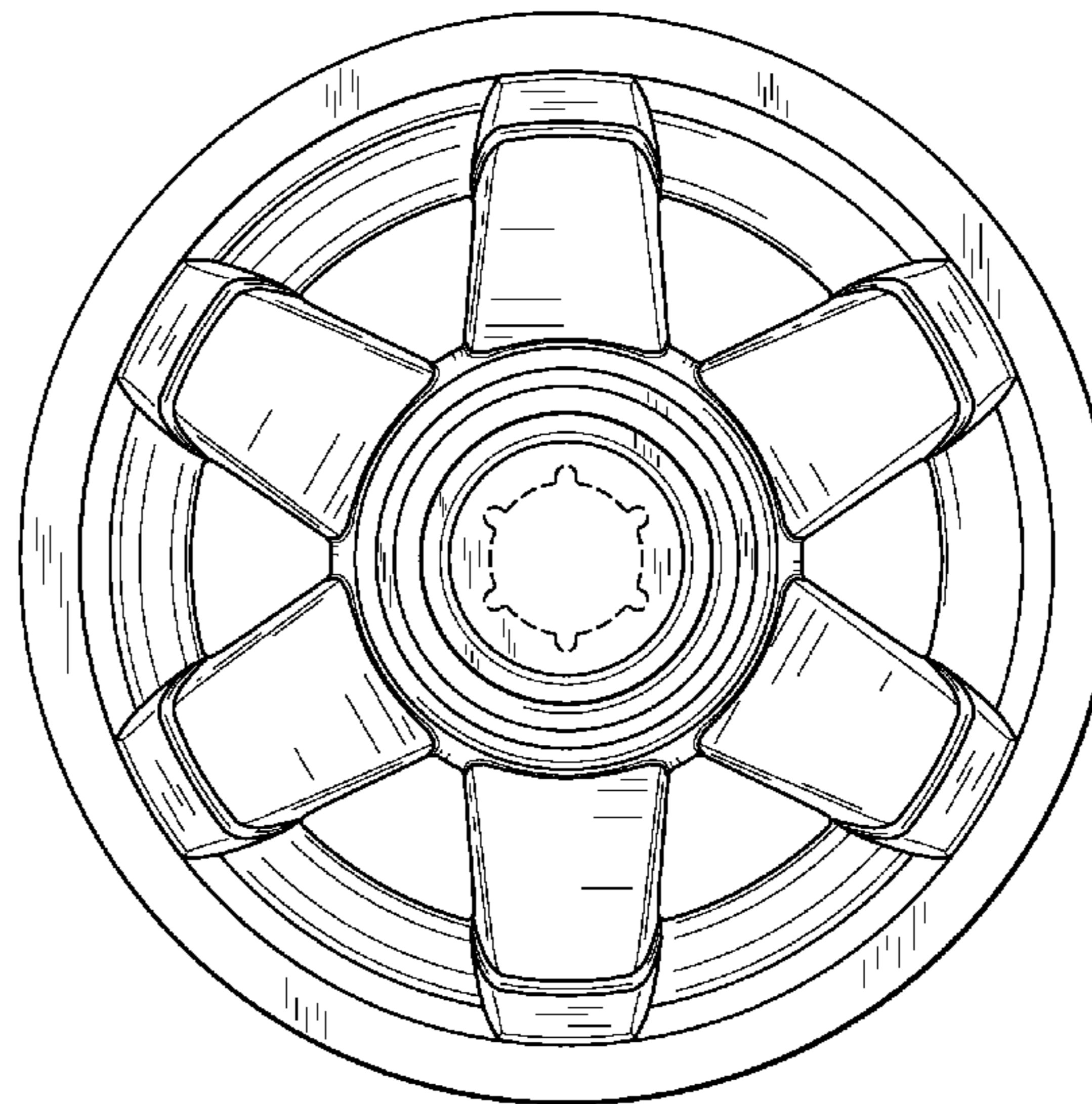
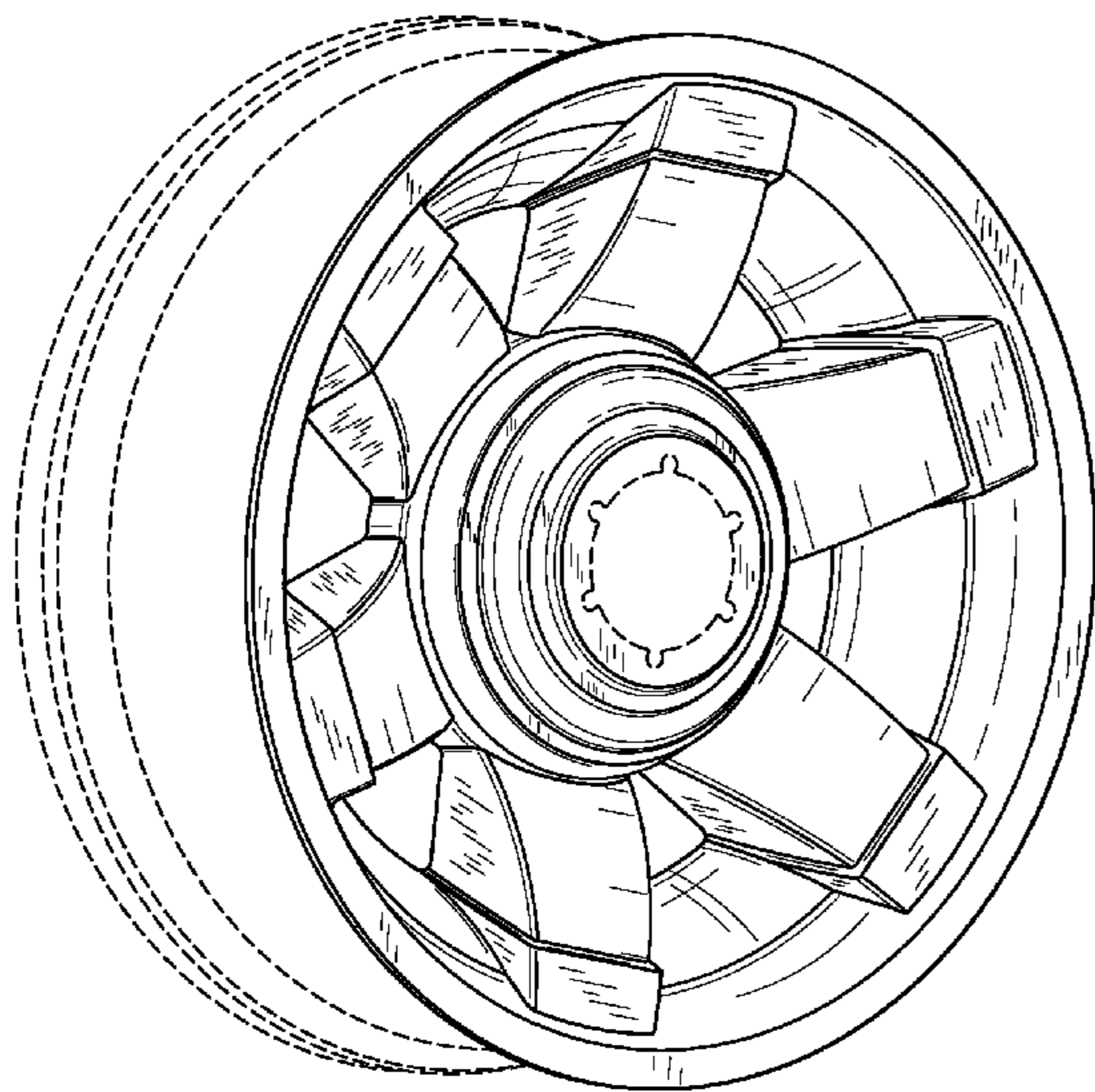
(57) **CLAIM**

We claim the ornamental design of the wheel or wheel cover, as shown and described.

DESCRIPTION

FIG. 1 is a front perspective view front, bottom and right side of the wheel or wheel cover; and, FIG. 2 is a front elevational view of the wheel cover. The dashed lines within the figures are for illustrative purposes only and form no part of the claimed invention.

1 Claim, 1 Drawing Sheet



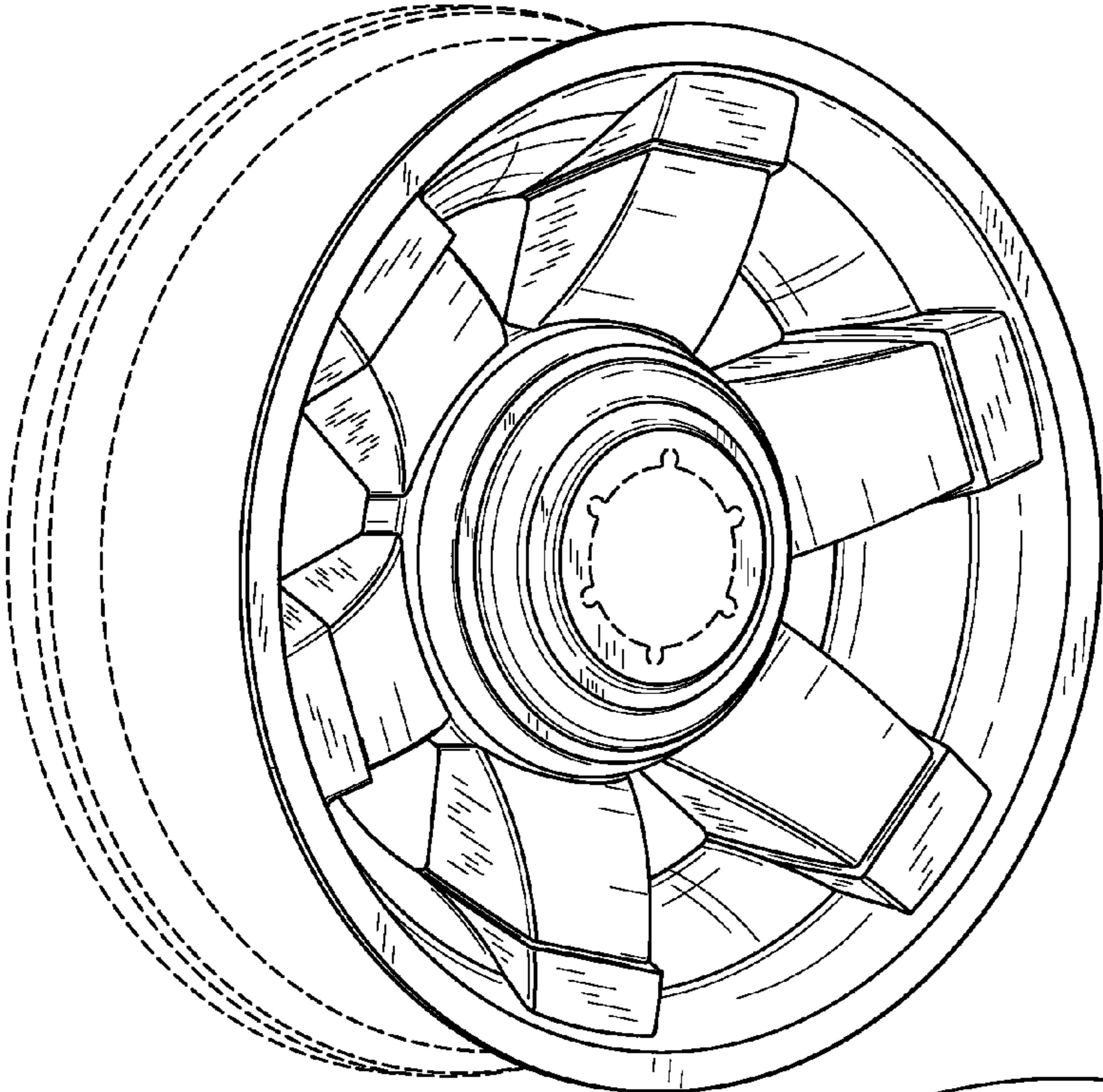


FIG. 1

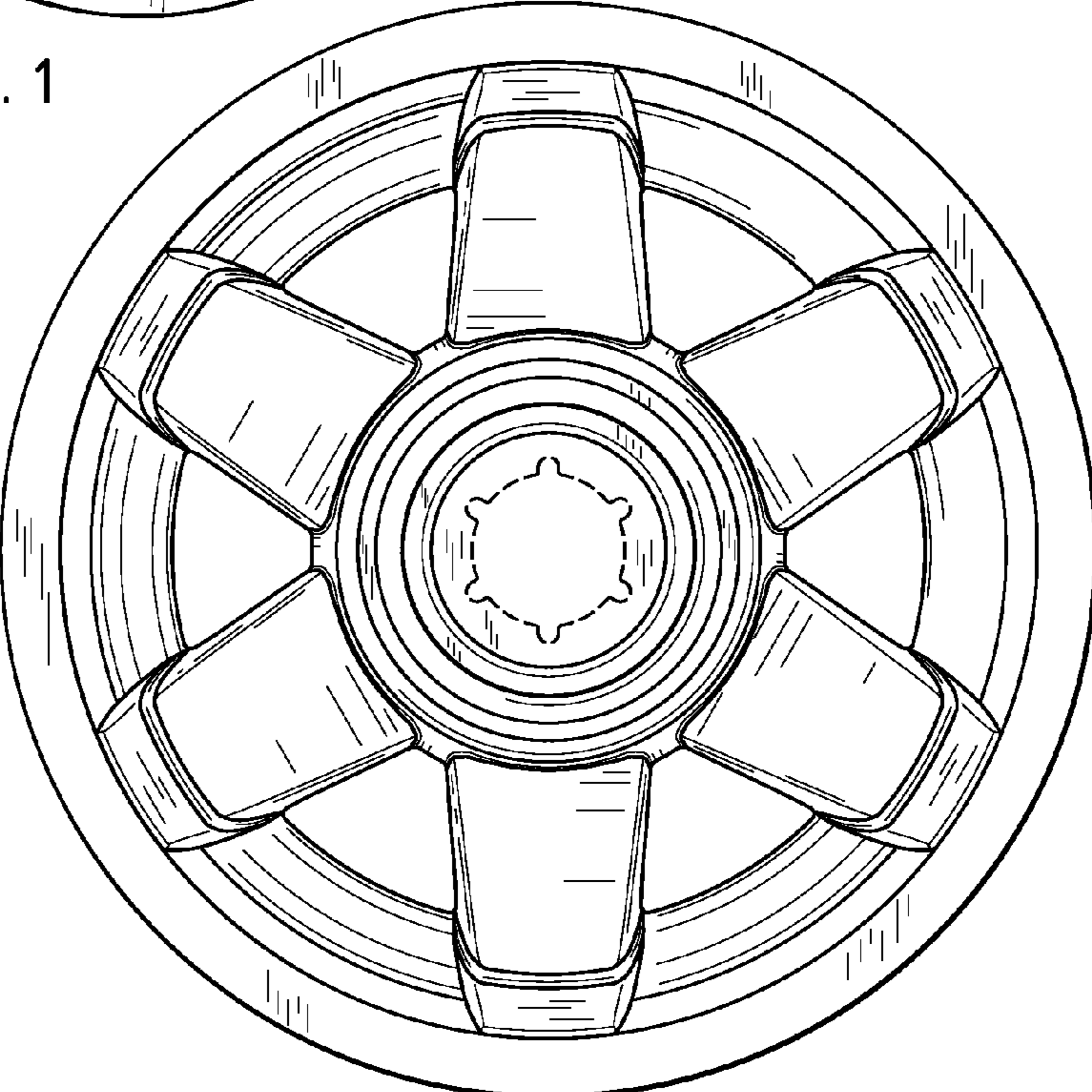


FIG. 2