



US00D634247S

(12) **United States Design Patent**
Confer et al.

(10) **Patent No.:** **US D634,247 S**

(45) **Date of Patent:** **** *Mar. 15, 2011**

(54) **STEERING CONTROL SUPPORT**

(75) Inventors: **Thomas W. Confer**, Greene, NY (US);
Gregory W. Smiley, Greene, NY (US)

(73) Assignee: **The Raymond Corporation**, Greene,
NY (US)

(*) Notice: This patent is subject to a terminal disclaimer.

(**) Term: **14 Years**

(21) Appl. No.: **29/361,316**

(22) Filed: **May 10, 2010**

Related U.S. Application Data

(63) Continuation of application No. 29/324,233, filed on
Sep. 9, 2008, now Pat. No. Des. 617,176.

(51) **LOC (9) Cl.** **12-16**

(52) **U.S. Cl.** **D12/174**

(58) **Field of Classification Search** D8/300,
D8/301, 302, 303, 305, 307, 310, 315, 363;
D12/174, 179, 400, 606; 135/65, 66, 67,
135/68, 69; 74/335, 473.1, 473.35, 475,
74/488, 489, 523, 543; D13/165, 171; D14/416;
414/631, 685; 292/347, 348; 463/37, 38;
D34/35

See application file for complete search history.

(56) **References Cited**

U.S. PATENT DOCUMENTS

3,918,316 A 11/1975 Reinhold et al.
4,491,325 A * 1/1985 Bersheim 463/38
4,541,257 A 9/1985 Stoll

5,042,314 A * 8/1991 Rytter et al. 74/335
D362,330 S * 9/1995 Avitan et al. D34/35
D405,581 S 2/1999 Henshaw et al.
D409,080 S 5/1999 Vogels
D413,880 S * 9/1999 Barnes et al. D14/416
6,152,676 A * 11/2000 Evert et al. 414/631
D457,418 S 5/2002 Ferrer Beltran
6,425,729 B1 * 7/2002 Coutant 414/685
6,931,963 B2 8/2005 Jarjoura et al.
D515,770 S * 2/2006 Ryan et al. D34/35
D520,347 S 5/2006 Silzer, Jr. et al.
D526,109 S 8/2006 Bergman et al.
7,309,286 B2 12/2007 Hedrick et al.

* cited by examiner

Primary Examiner — Susan Bennett Hattan

Assistant Examiner — Barbara B Lohr

(74) *Attorney, Agent, or Firm* — Quarles & Brady LLP

(57) **CLAIM**

The ornamental design for a steering control support, as shown and described.

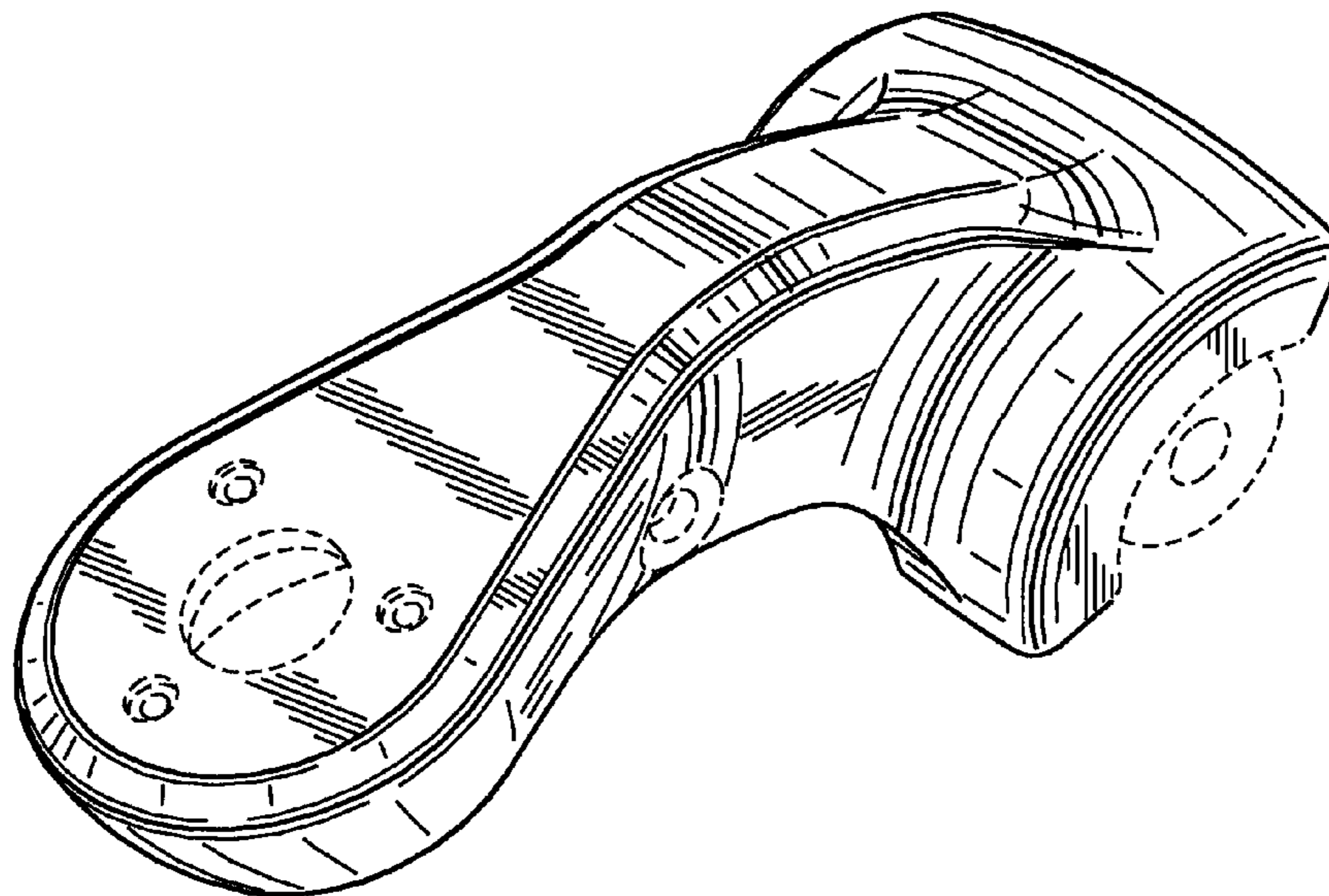
DESCRIPTION

FIG. 1 is a right, top, front, perspective view of a steering control support embodying our new design;
FIG. 2 is a top plan view thereof;
FIG. 3 is a right side elevational view thereof;
FIG. 4 is front elevational view thereof;
FIG. 5 is a rear elevational view thereof;
FIG. 6 is a left side elevational view thereof; and,
FIG. 7 is a bottom plan view thereof.

The broken lines in the drawings represent unclaimed environmental matter.

In a preferred embodiment, the nature of this product is a support arm steering control, such as a stalk for a steer tiller for a lift truck and the like.

1 Claim, 3 Drawing Sheets



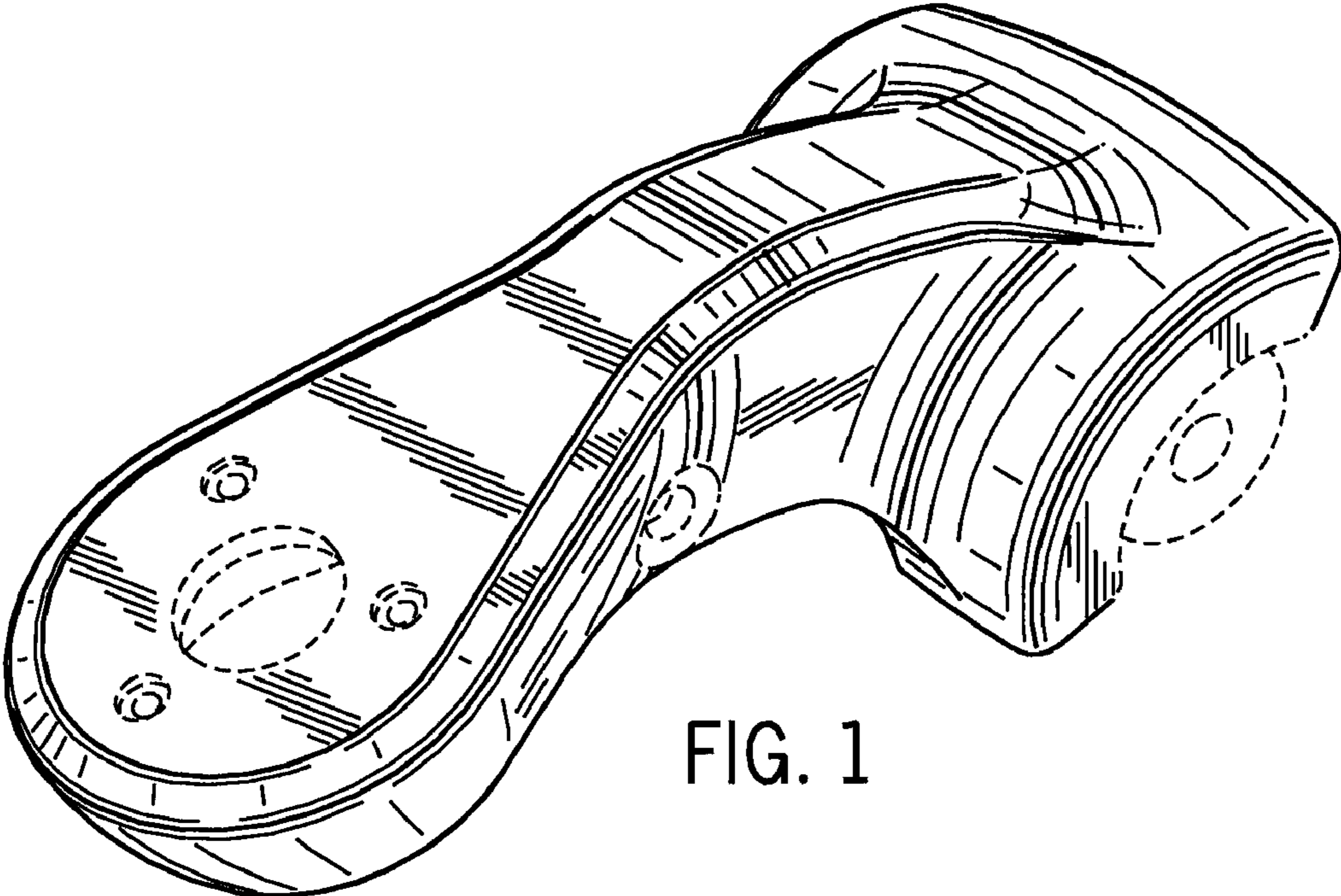


FIG. 1

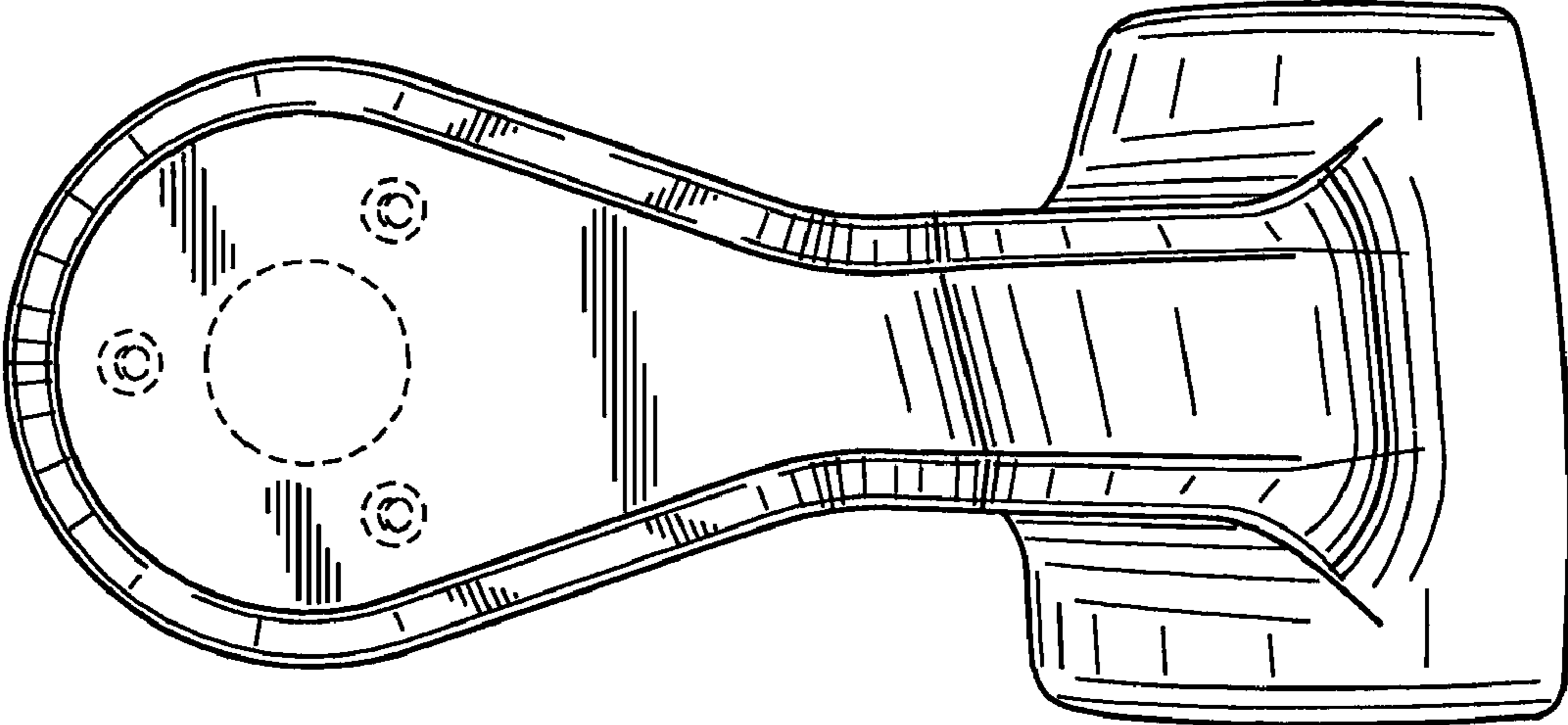


FIG. 2

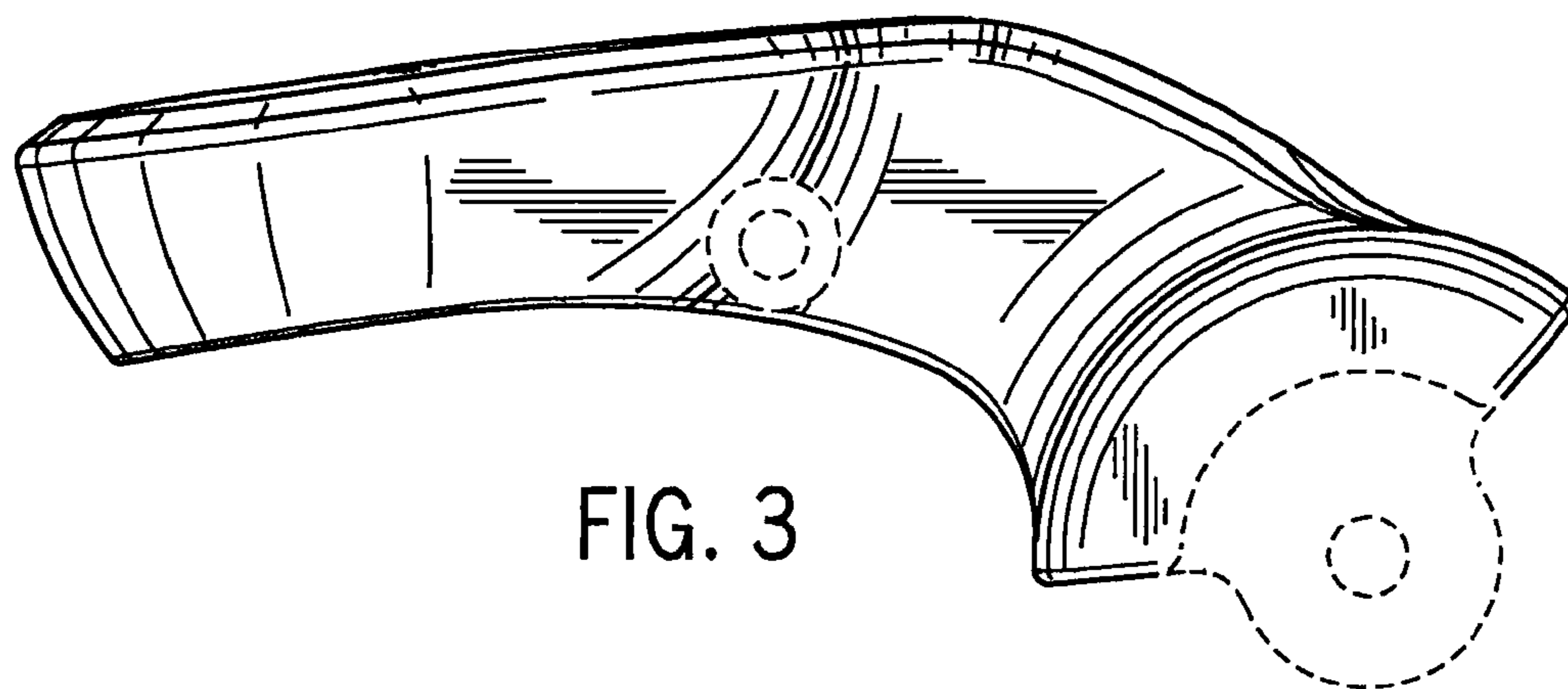


FIG. 3

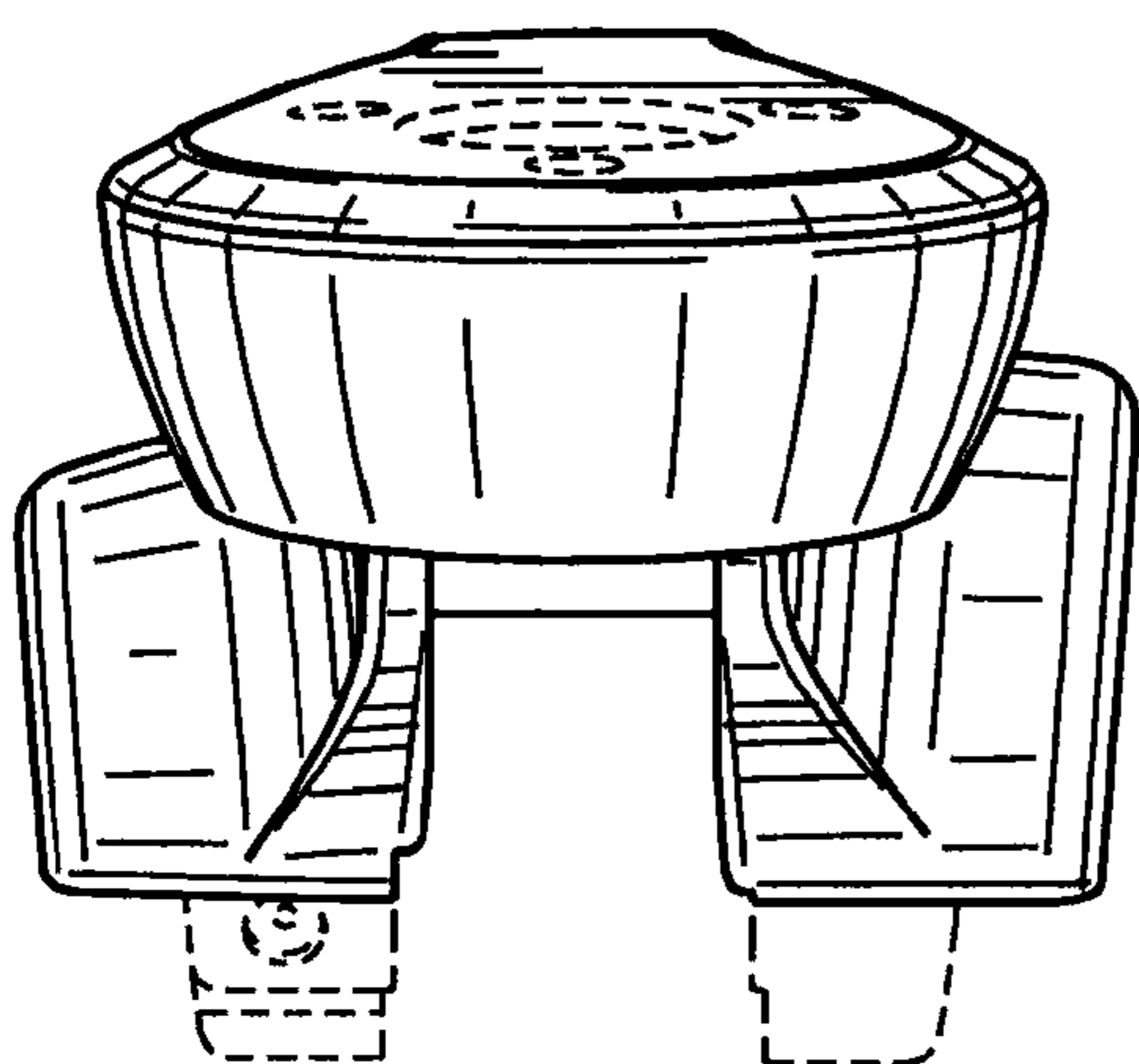


FIG. 4

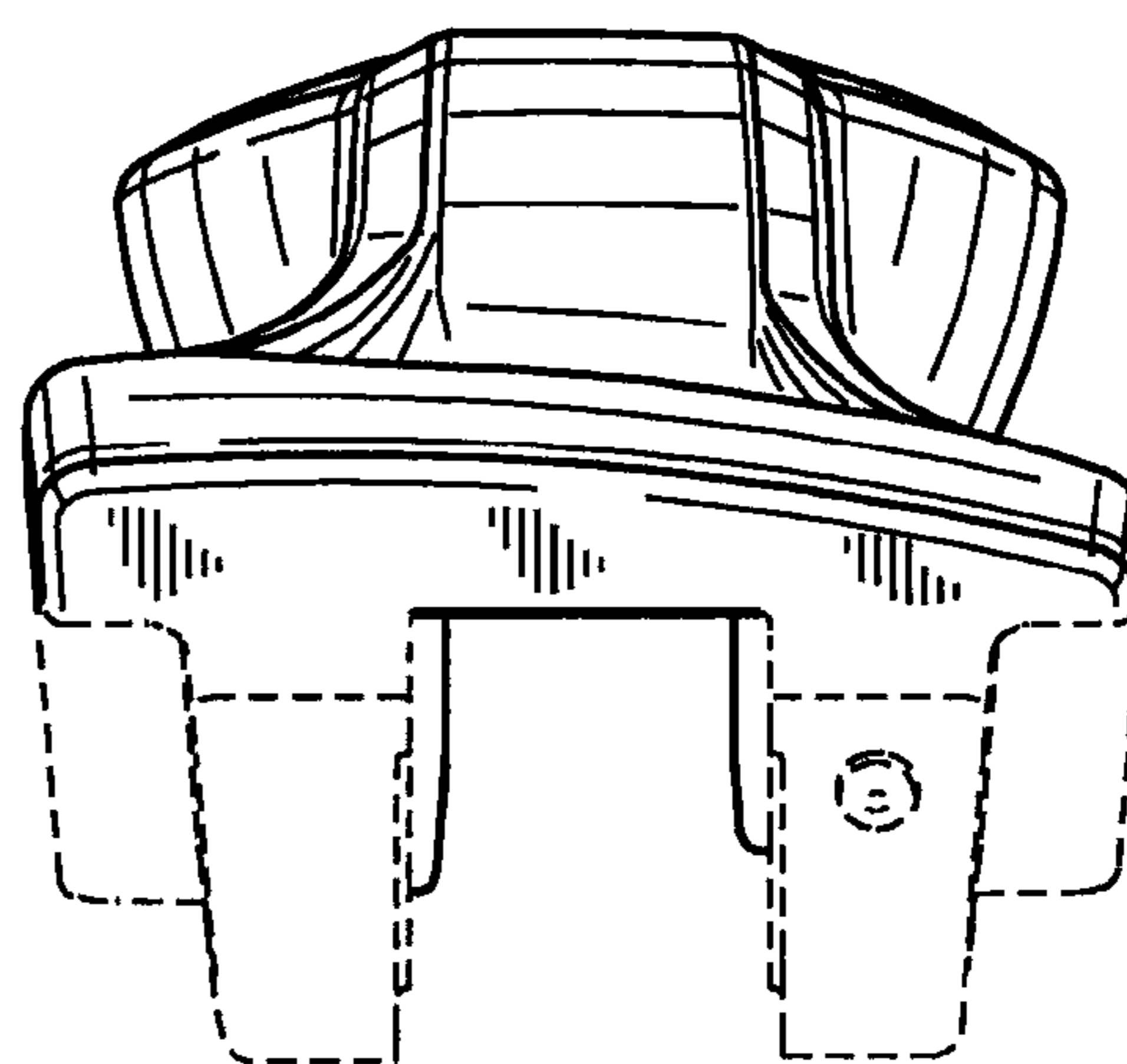


FIG. 5

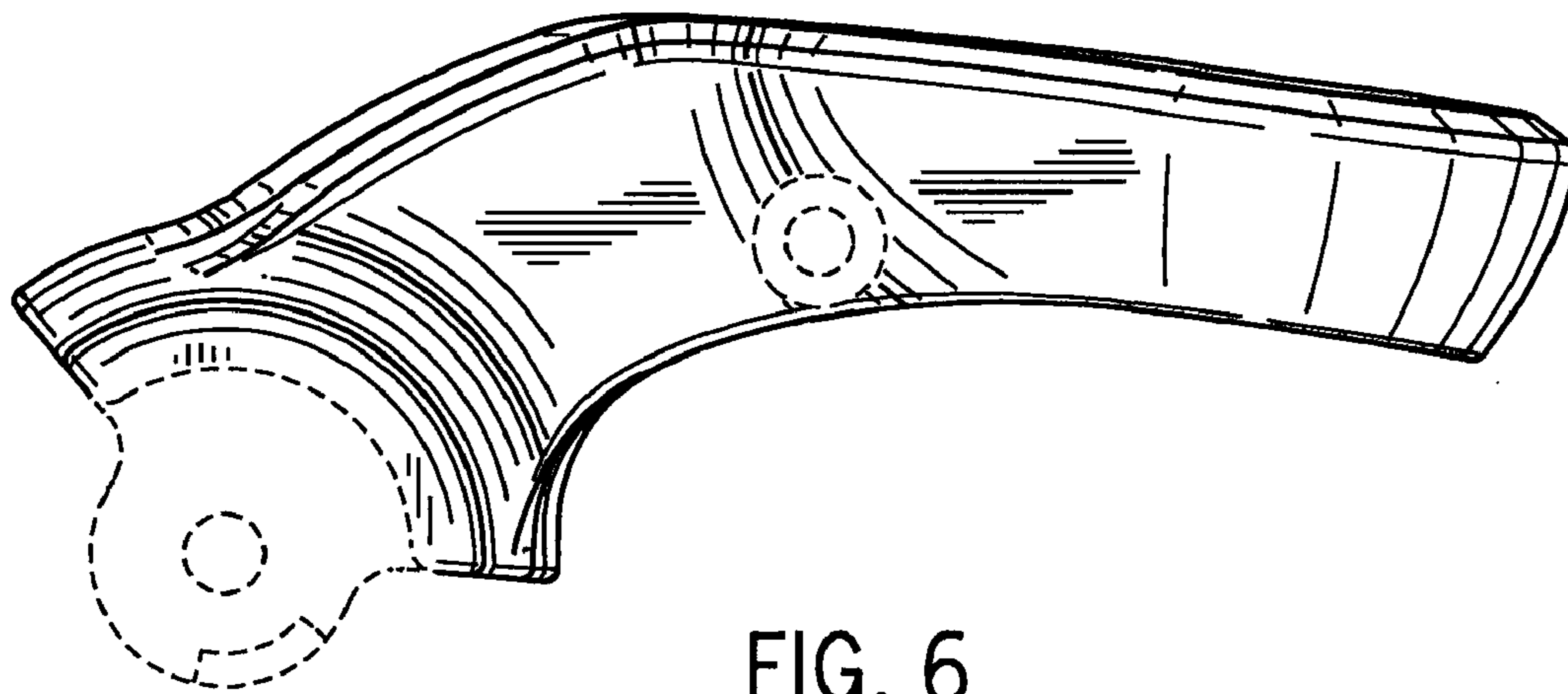


FIG. 6

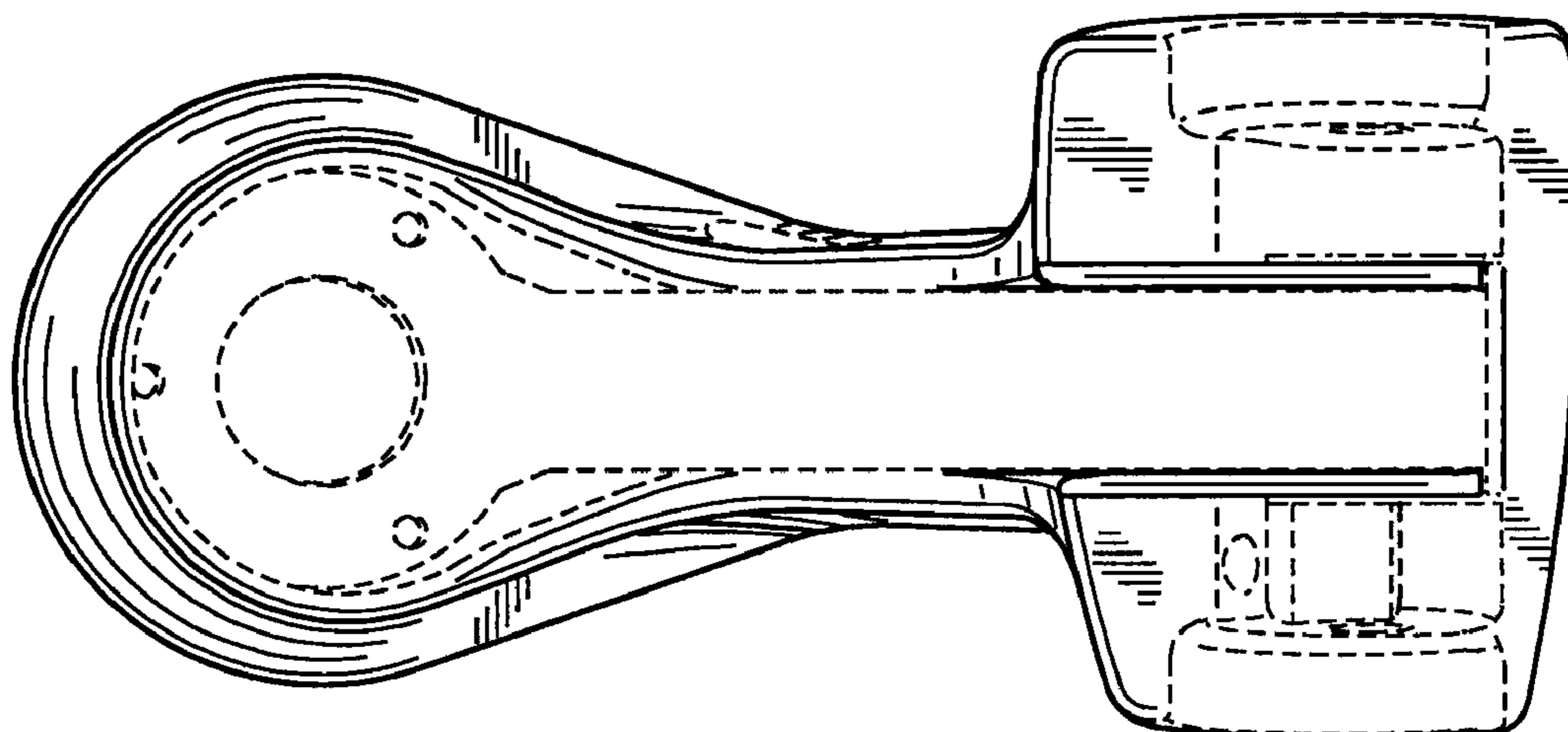


FIG. 7