



US00D634246S

(12) **United States Design Patent**
Aris et al.

(10) **Patent No.:** **US D634,246 S**
(45) **Date of Patent:** **** Mar. 15, 2011**

(54) **BUMPER OF A TRUCK VEHICLE**

(56) **References Cited**

(75) Inventors: **Steve Charles Aris**, Ann Arbor, MI (US); **Glen Joel Durmisevich**, Rochester Hills, MI (US); **Christian Michael Hardin**, Waterford, MI (US); **George McCowan**, Fort Wayne, IN (US); **John Song**, Ypsilanti, MI (US); **Christopher Jon Spurlin**, Fort Wayne, IN (US); **Rachele Barbara Cocks**, Columbia City, IN (US); **Ron Schoon**, Littleton, CO (US); **Christopher Lee Koonce**, Albion, IN (US); **Mark Douglas Oberly**, Muncie, IN (US)

U.S. PATENT DOCUMENTS

D458,565	S	*	6/2002	Maher et al.	D12/169
D482,302	S	*	11/2003	Dozier et al.	D12/169
D556,649	S	*	12/2007	Beigel et al.	D12/169
D570,739	S	*	6/2008	Emoto et al.	D12/96
D570,740	S	*	6/2008	Emoto et al.	D12/96
D570,741	S	*	6/2008	Emoto et al.	D12/96
D589,846	S	*	4/2009	Tanaka	D12/96
D612,778	S	*	3/2010	Beigel et al.	D12/169
D623,092	S	*	9/2010	Beigel et al.	D12/96

* cited by examiner

Primary Examiner — Melody N Brown

(74) *Attorney, Agent, or Firm* — Jeffrey P. Calfa; Mark C. Bach; Gerald W. Askew

(73) Assignee: **International Truck Intellectual Property Company, LLC**, Warrenville, IL (US)

(57) **CLAIM**

The ornamental design for a bumper of a truck vehicle, as shown and described.

(**) Term: **14 Years**

DESCRIPTION

(21) Appl. No.: **29/367,781**

FIG. 1 is a front perspective view of a bumper of a truck vehicle showing our new design; FIG. 2 is a front and right side perspective view thereof; FIG. 3 is a front elevation view thereof; FIG. 4 is a right side elevation view thereof; and, FIG. 5 is a top plan view thereof.

(22) Filed: **Aug. 12, 2010**

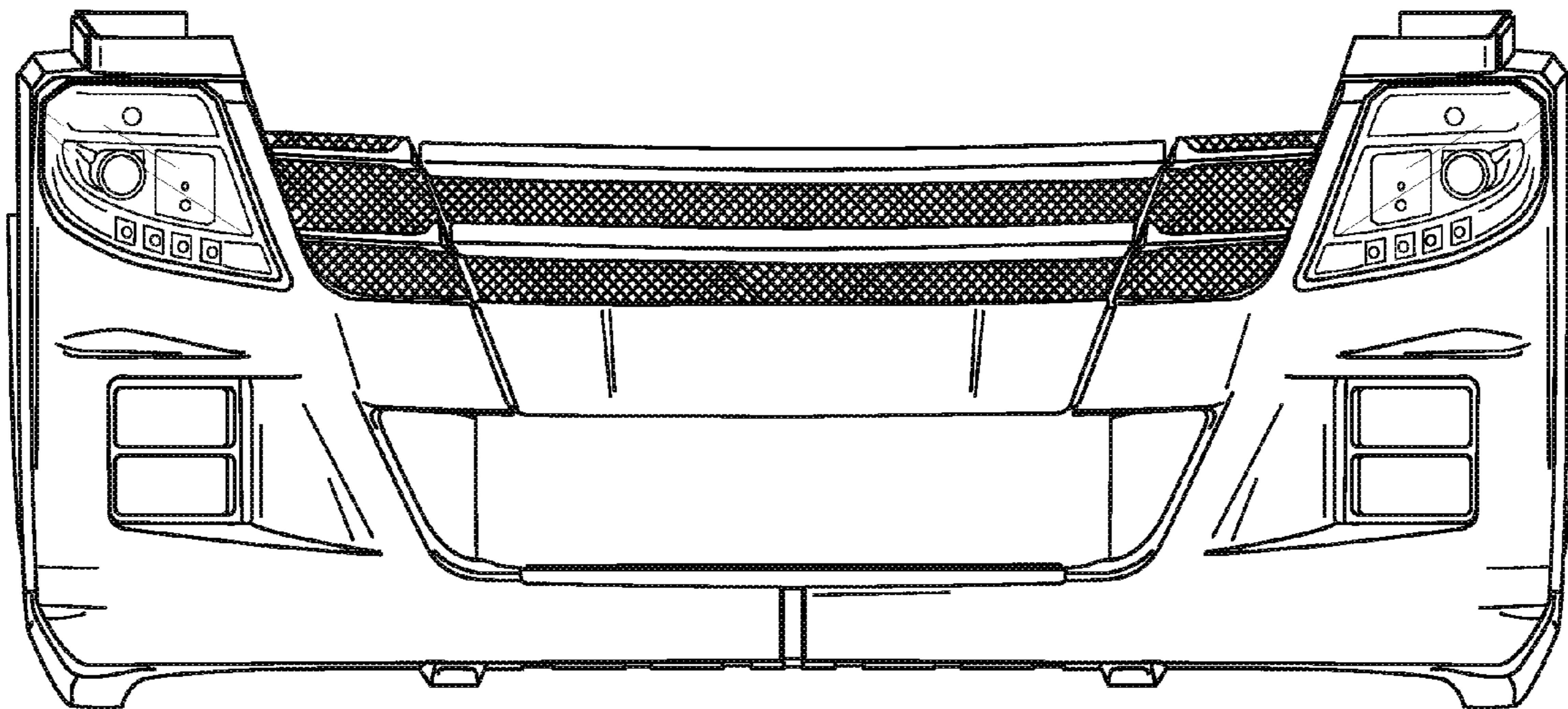
(51) **LOC (9) Cl.** **12-16**

(52) **U.S. Cl.** **D12/169**

(58) **Field of Classification Search** D12/169, D12/196, 171, 216, 163, 86, 90-92; 293/102, 293/113, 115, 117, 120; 296/180.1, 180.2

See application file for complete search history.

1 Claim, 5 Drawing Sheets



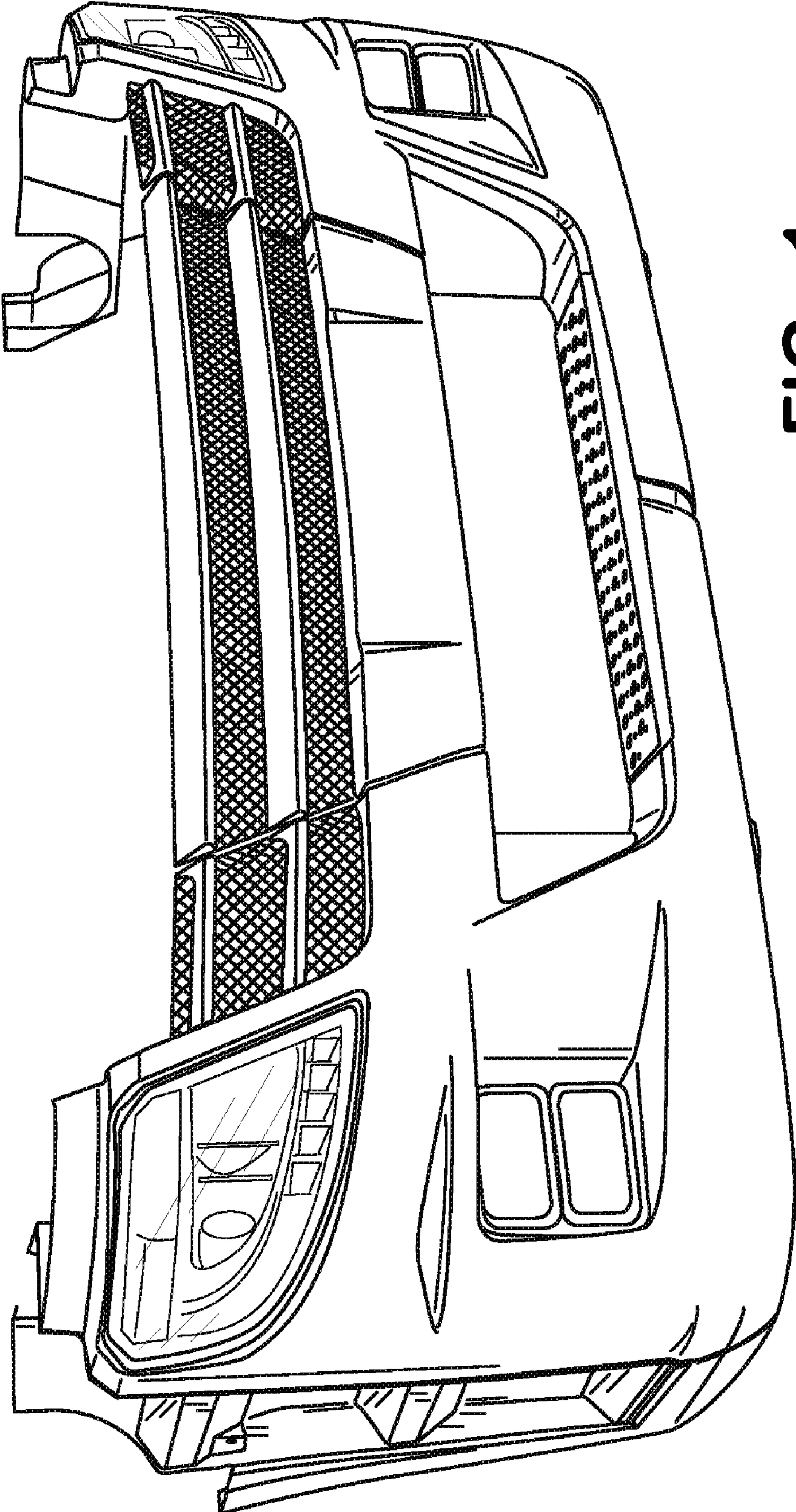


FIG. 1

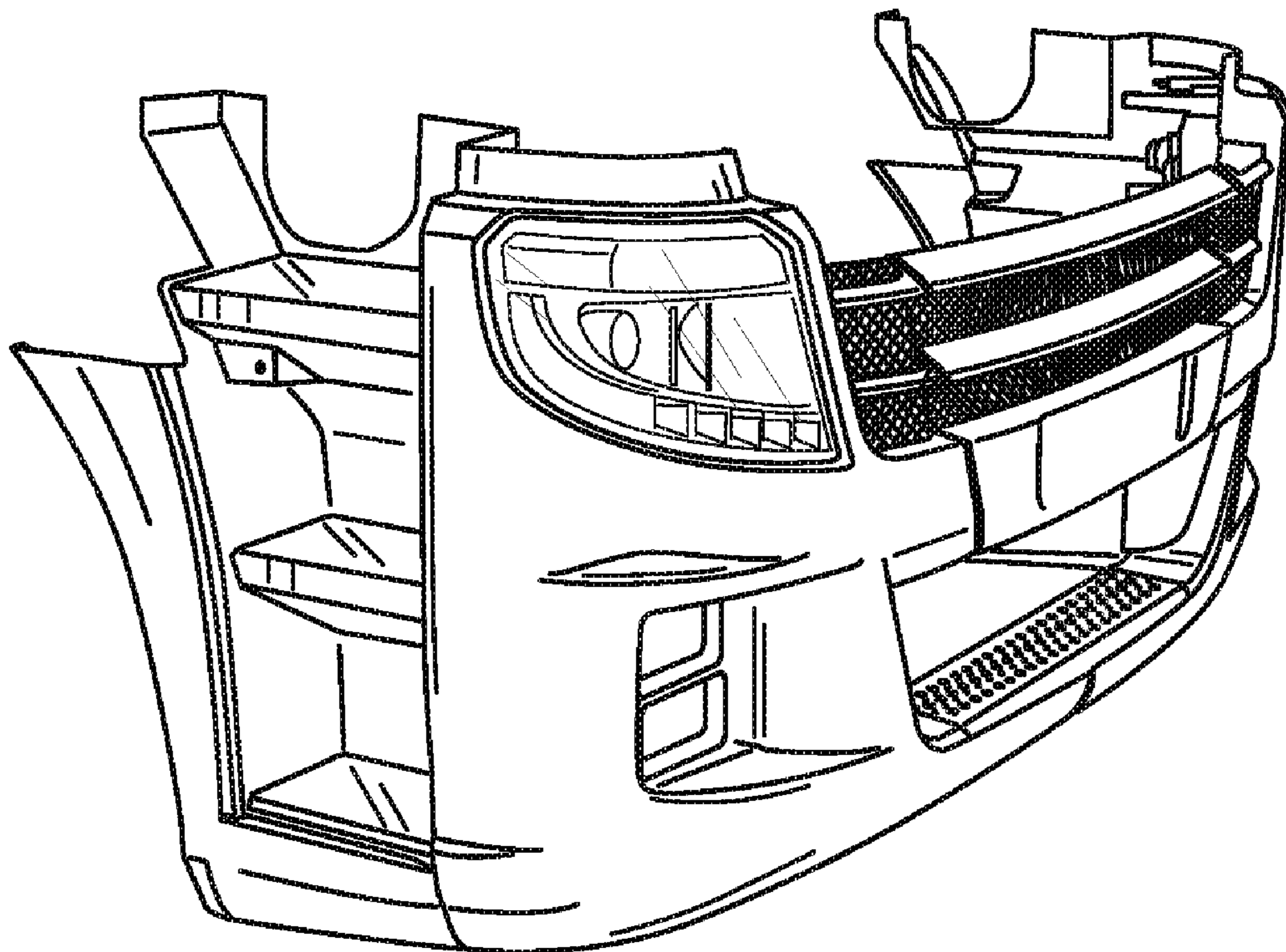


FIG. 2

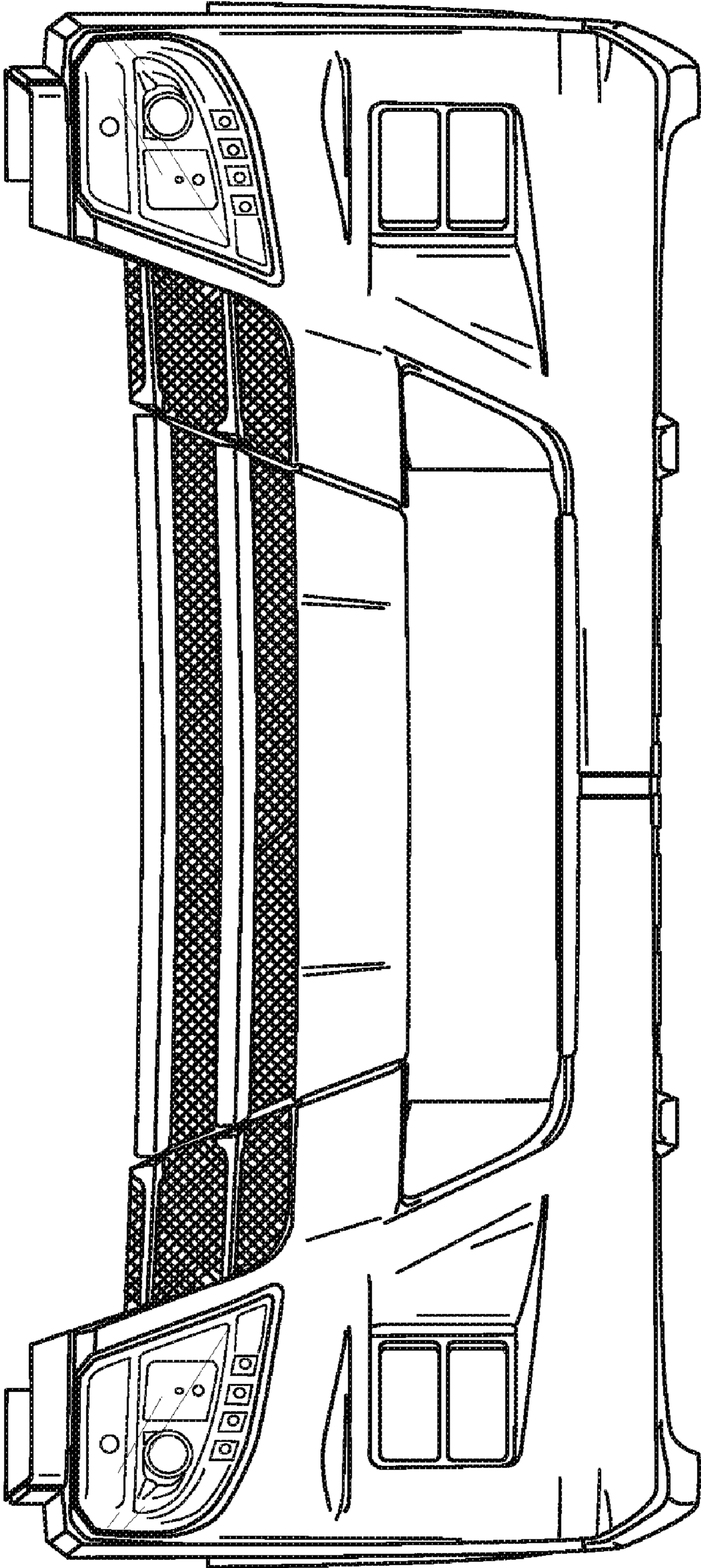


FIG. 3

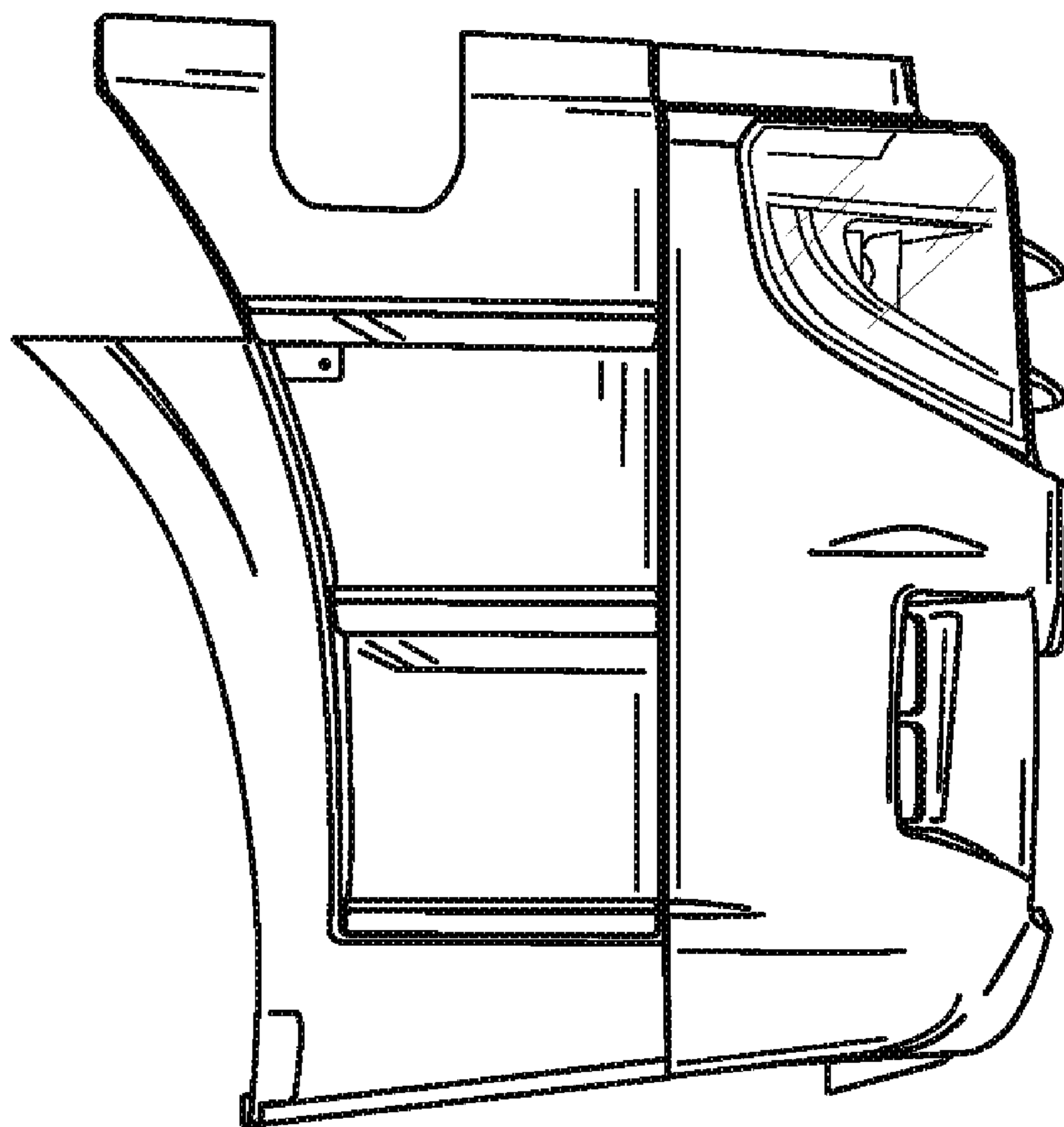


FIG. 4

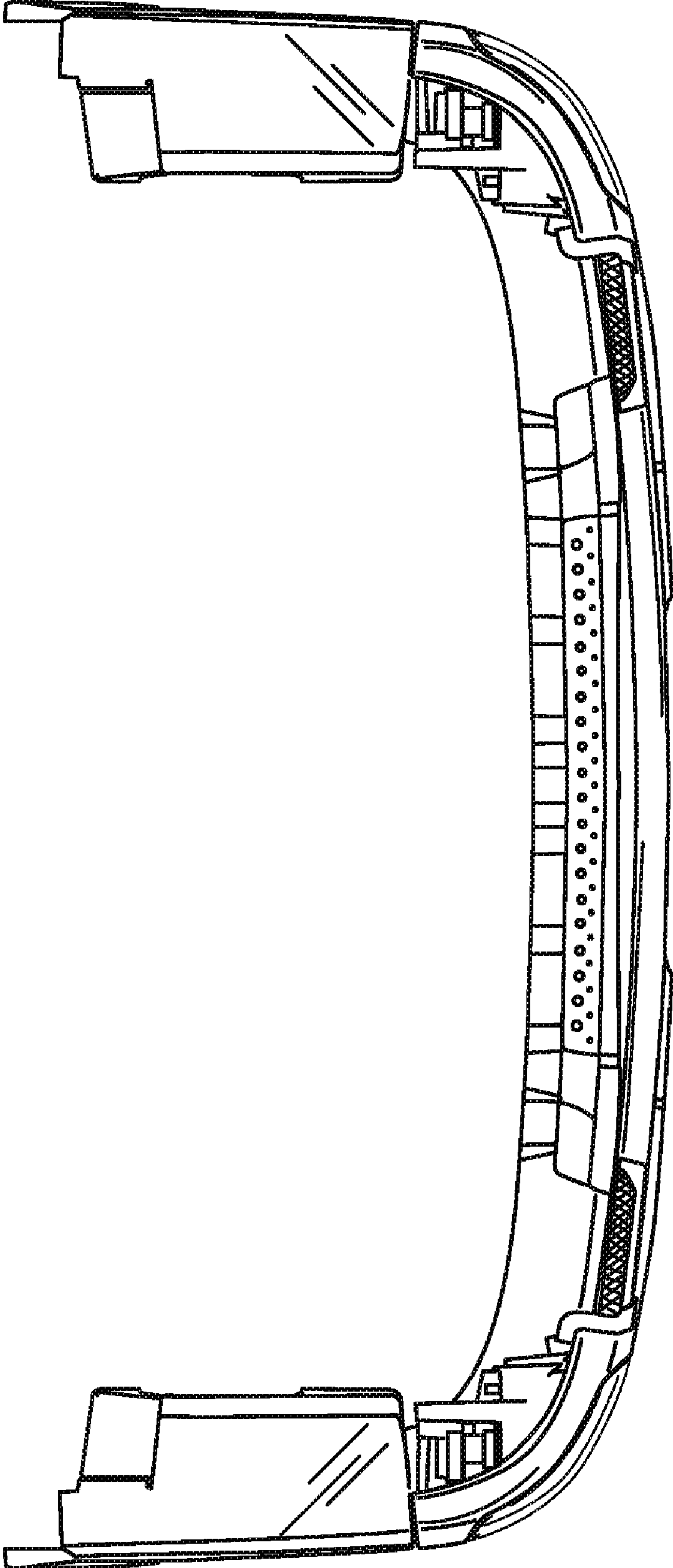


FIG. 5