



US00D634245S

(12) **United States Design Patent**  
**Liao**

(10) **Patent No.:** **US D634,245 S**

(45) **Date of Patent:** **\*\* Mar. 15, 2011**

(54) **PUSHCHAIR FRAME**

(75) **Inventor:** **Gordon Liao, Yung Kang (TW)**

(73) **Assignee:** **Unique Product & Design Co., Ltd.,  
Yung Kang (TW)**

(\*\*) **Term:** **14 Years**

(21) **Appl. No.:** **29/357,352**

(22) **Filed:** **Mar. 11, 2010**

(51) **LOC (9) Cl.** ..... **12-12**

(52) **U.S. Cl.** ..... **D12/129**

(58) **Field of Classification Search** ..... D12/128-133;  
D6/360, 367; 280/62, 647-650, 29, 200,  
280/47.38, 250.1, 259, 642, 658; 297/DIG. 4;  
296/65.03, 65.04; 224/409; D21/425, 426;  
D34/17, 18

See application file for complete search history.

(56) **References Cited**

**U.S. PATENT DOCUMENTS**

4,706,986	A *	11/1987	Kassai	.....	280/642
4,834,415	A *	5/1989	Yee	.....	280/644
5,333,893	A *	8/1994	Chen	.....	280/642
D379,165	S *	5/1997	Marozza et al.	.....	D12/129
5,769,448	A *	6/1998	Wang	.....	280/642

6,189,914	B1 *	2/2001	Worth et al.	.....	280/642
D456,857	S *	5/2002	Jennings	.....	D21/425
6,802,514	B2 *	10/2004	Worth et al.	.....	280/30
7,464,957	B2 *	12/2008	Worth et al.	.....	280/642
D611,394	S *	3/2010	Santamaria	.....	D12/129

\* cited by examiner

*Primary Examiner* — Ian Simmons

*Assistant Examiner* — Charles D Hanson

(74) *Attorney, Agent, or Firm* — Alan Kamrath; Kamrath & Associates PA

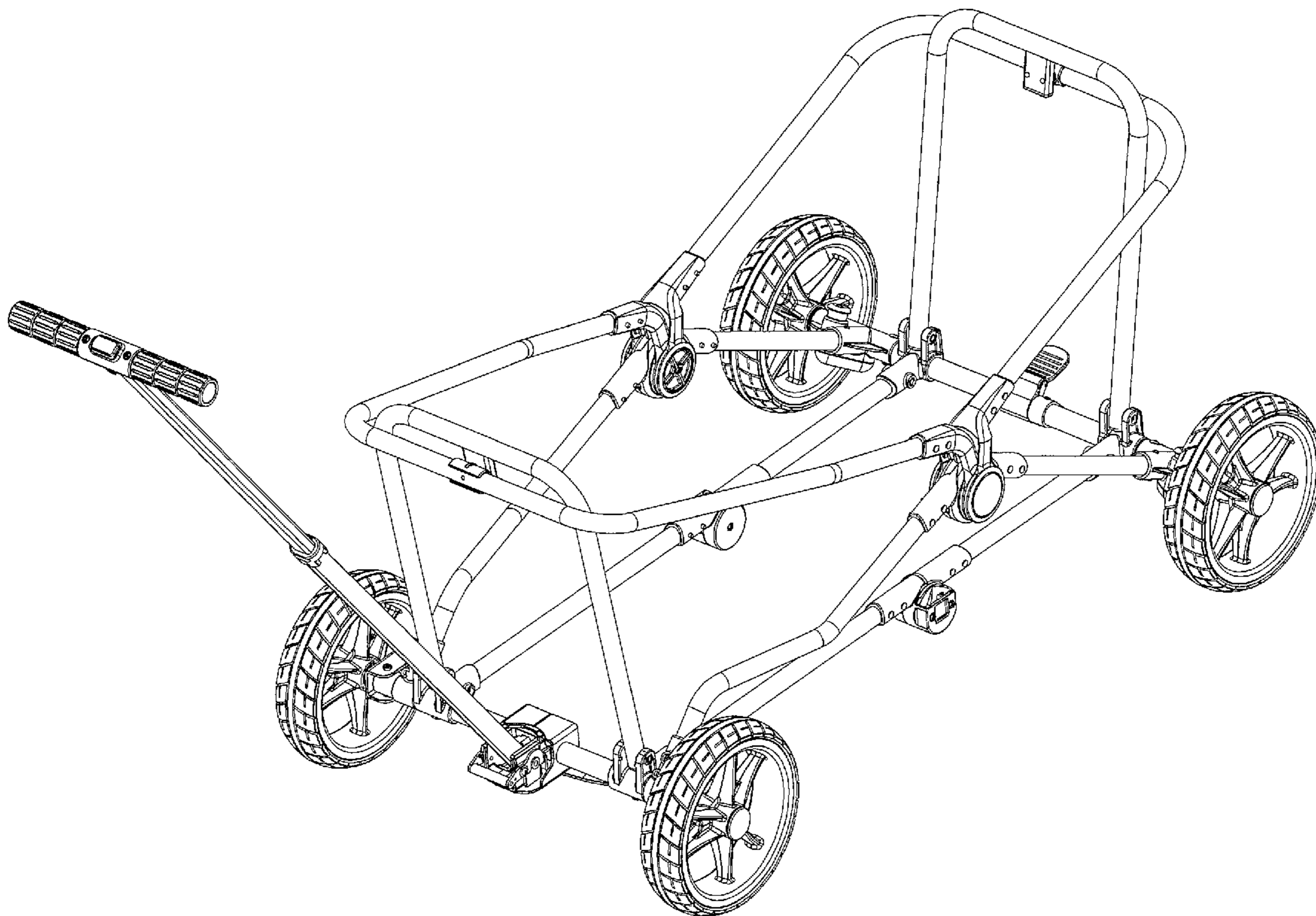
(57) **CLAIM**

The ornamental design for an pushchair frame, as shown and described.

**DESCRIPTION**

FIG. 1 is a perspective view of a pushchair frame showing my new design;  
FIG. 2 is a front elevational view thereof;  
FIG. 3 is a rear elevational view thereof;  
FIG. 4 is a left side elevational view thereof;  
FIG. 5 is a right side elevational view thereof;  
FIG. 6 is a top plan view thereof;  
FIG. 7 is a bottom plan view thereof; and,  
FIG. 8 is a perspective view thereof, showing the pushchair in a folded position.

**1 Claim, 7 Drawing Sheets**



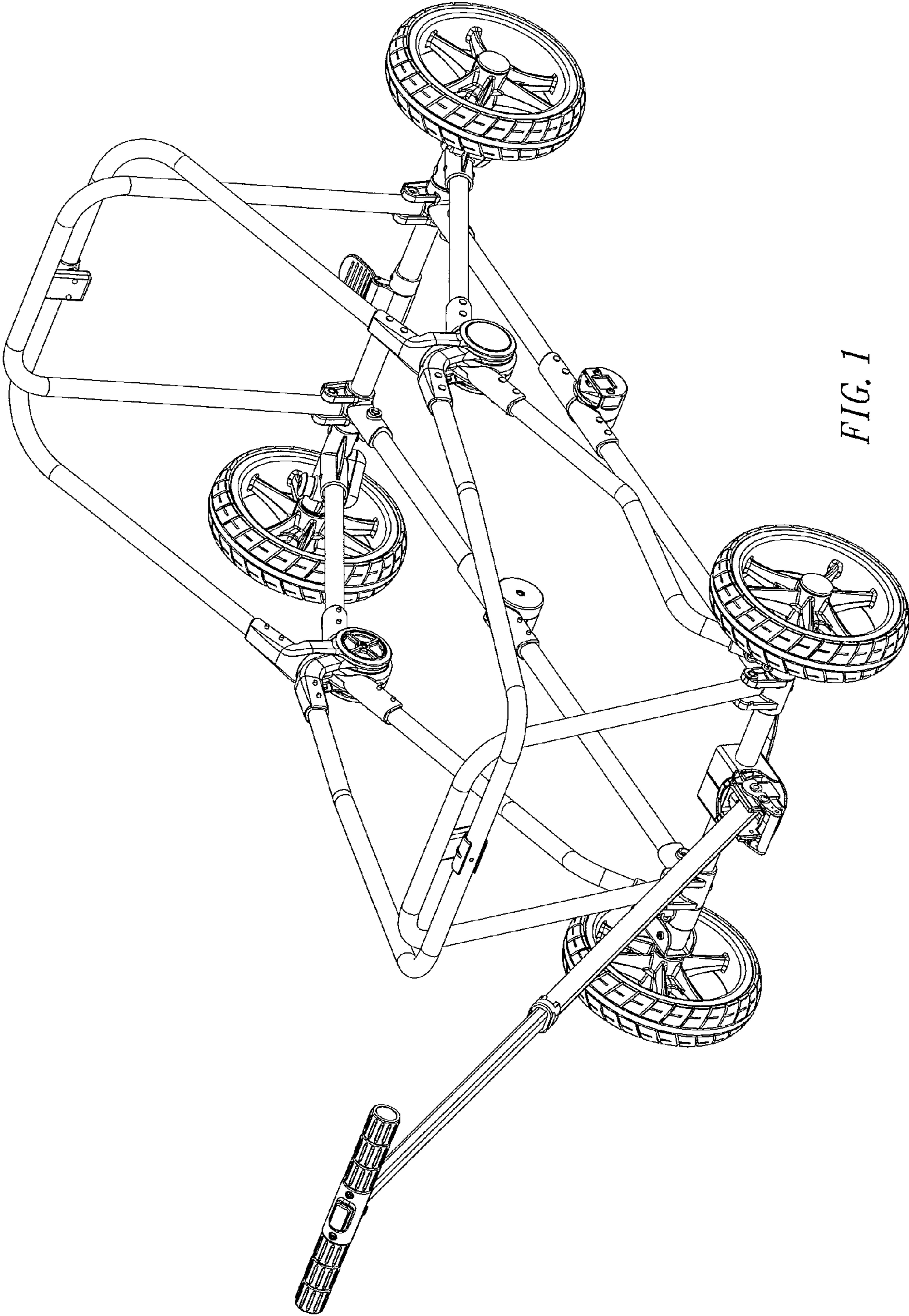


FIG. 1

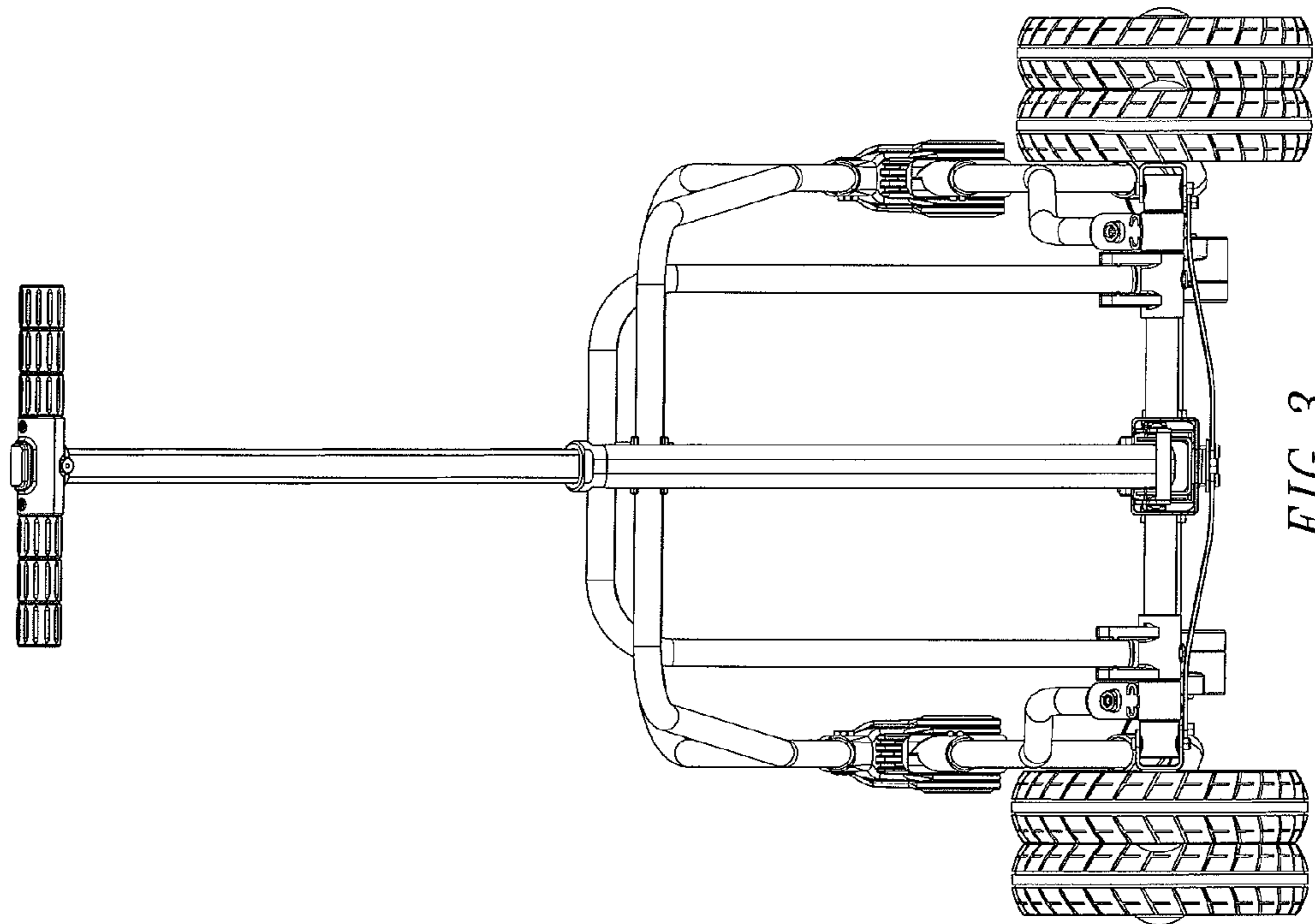


FIG. 3

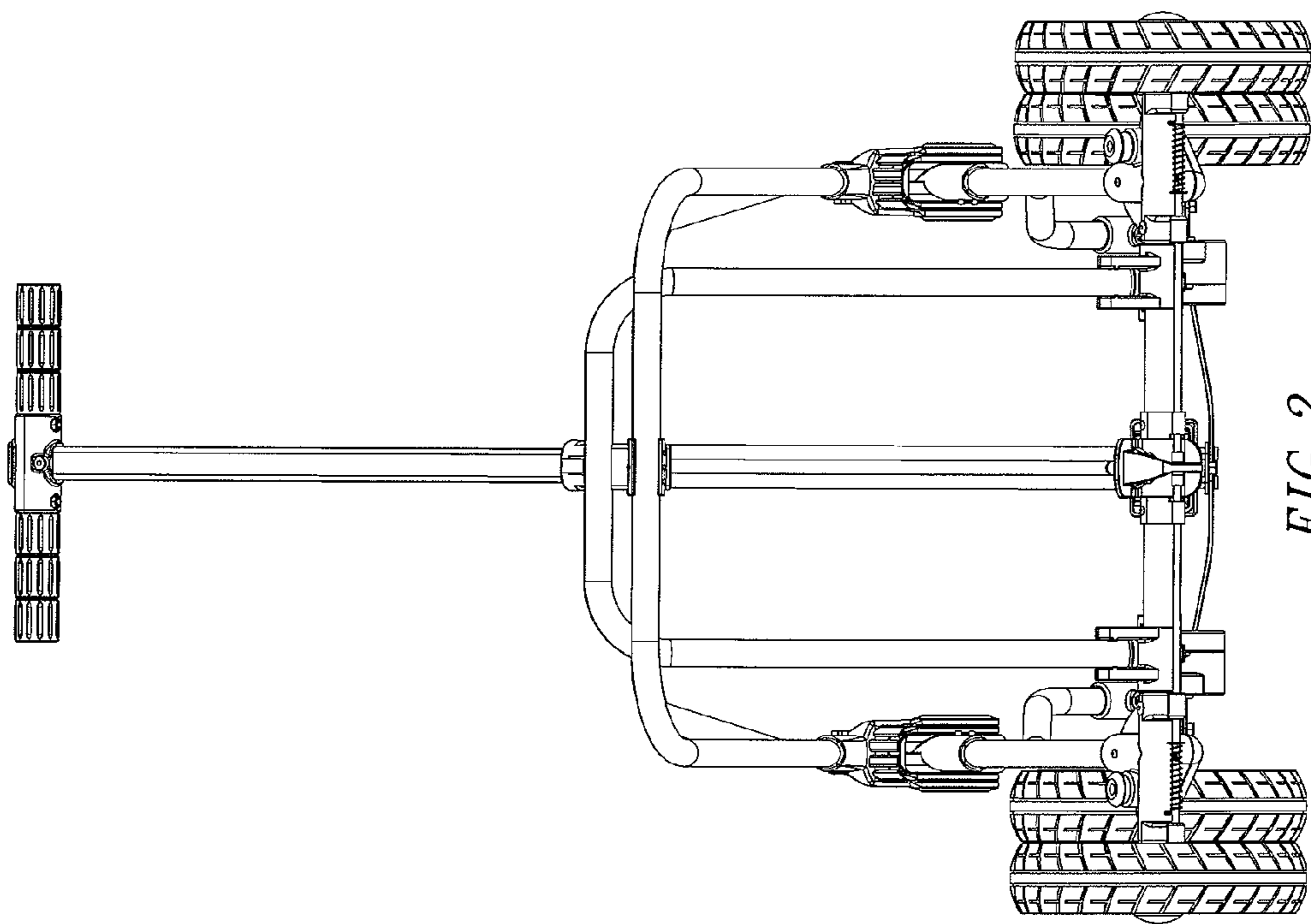


FIG. 2

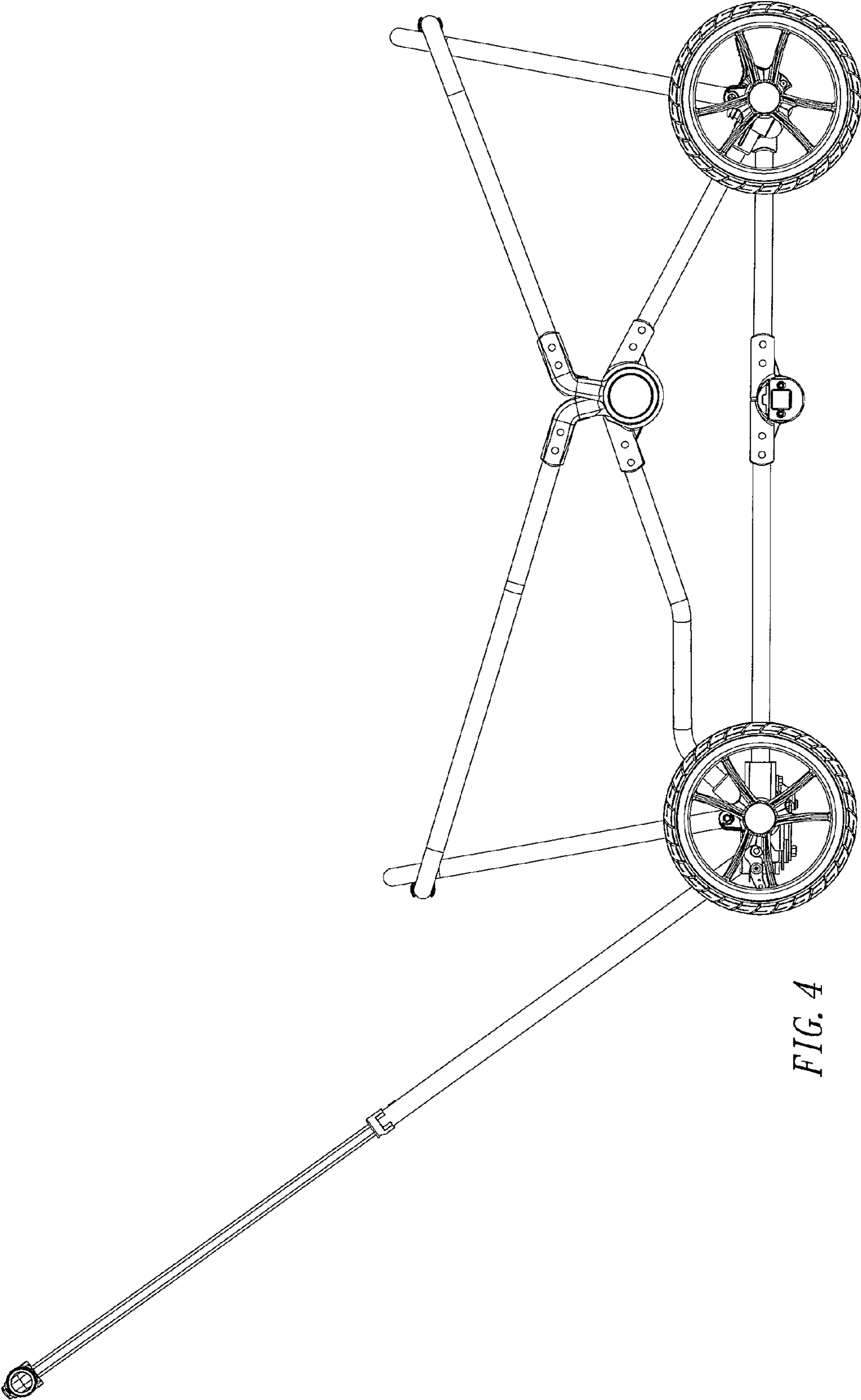


FIG. 4

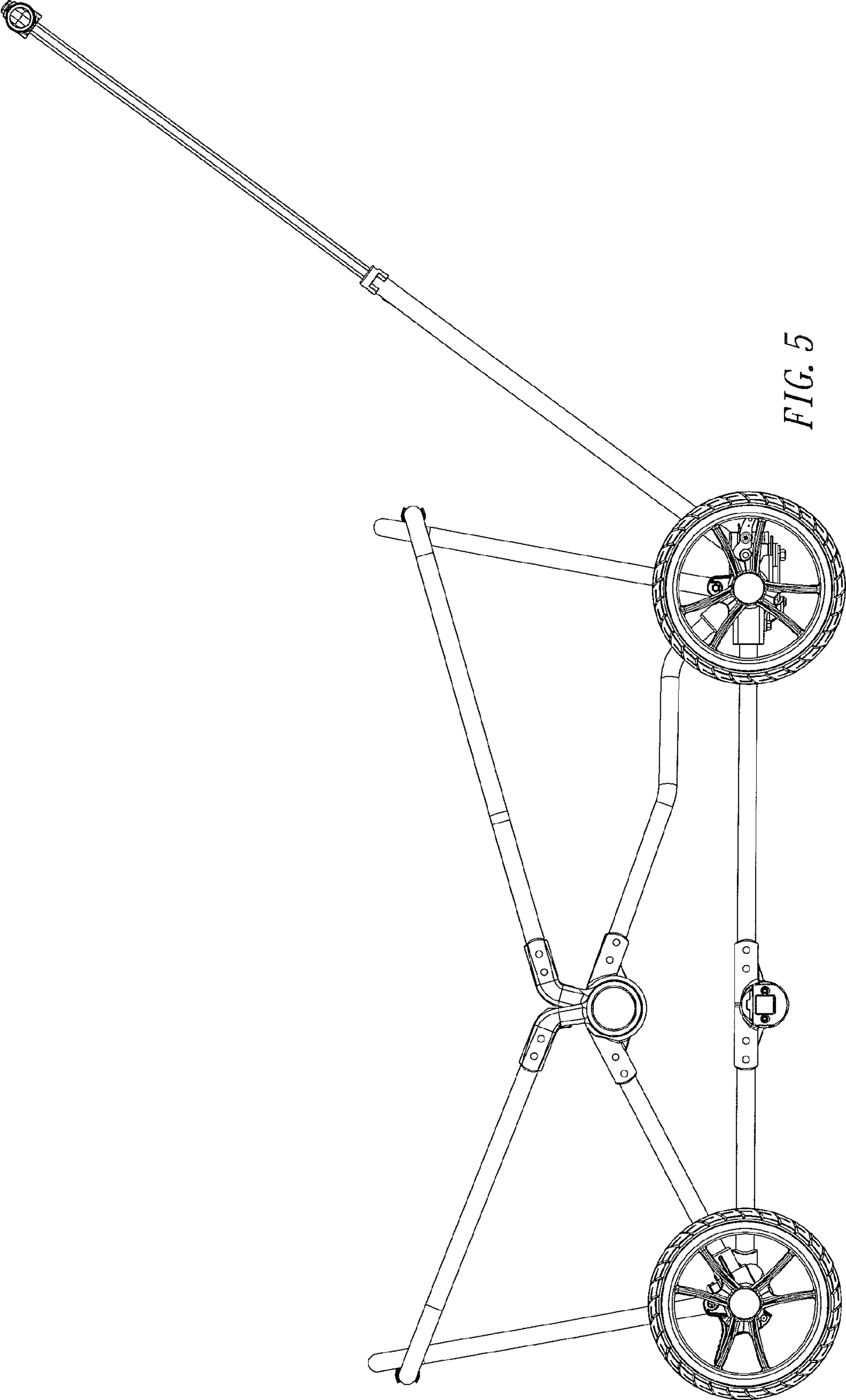


FIG. 5

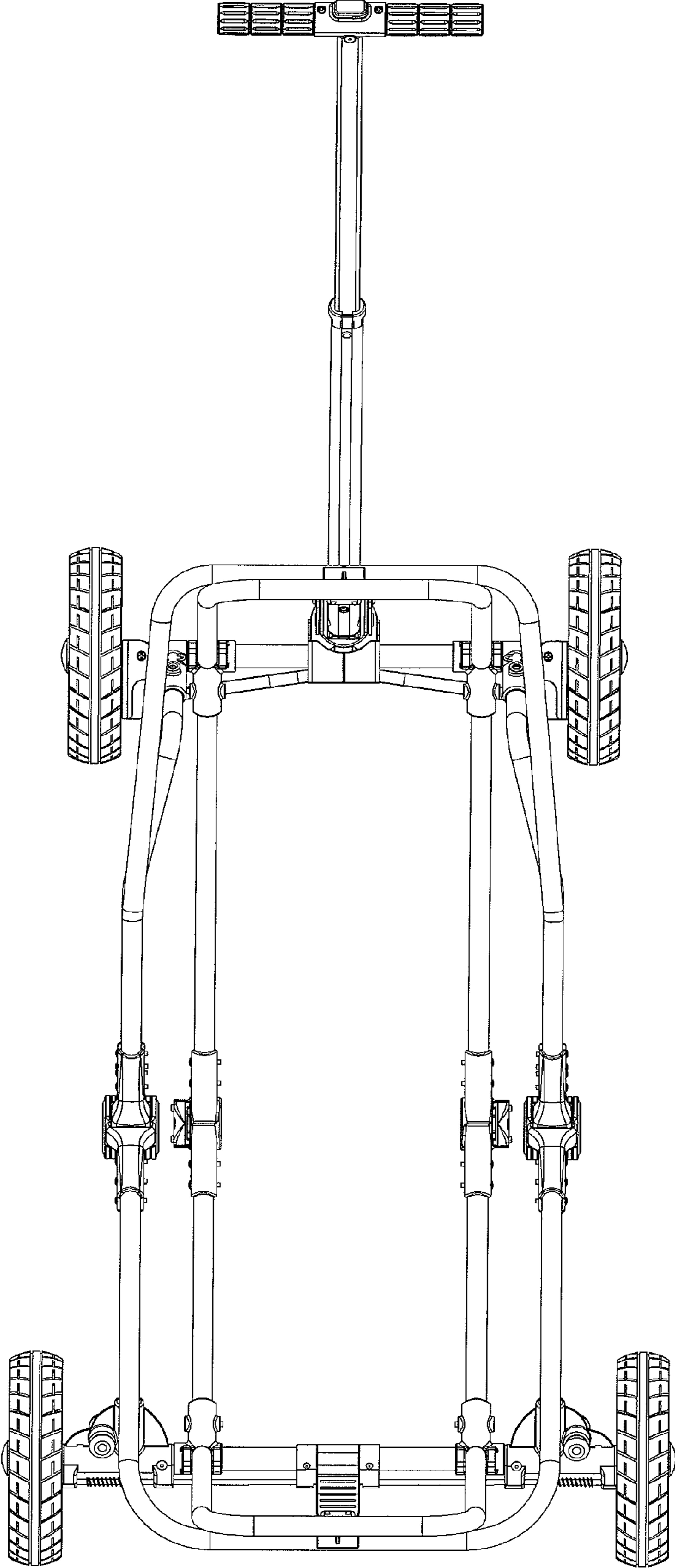


FIG. 6

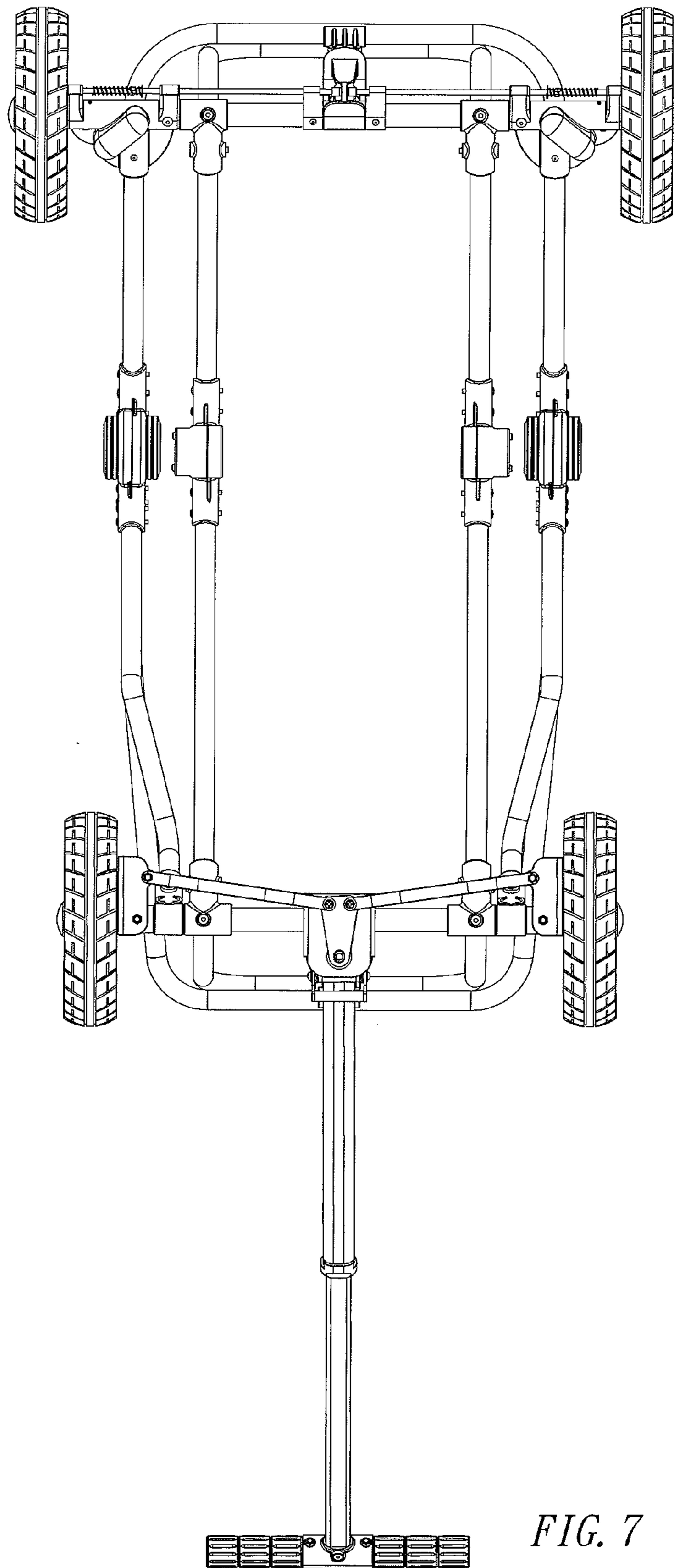


FIG. 7

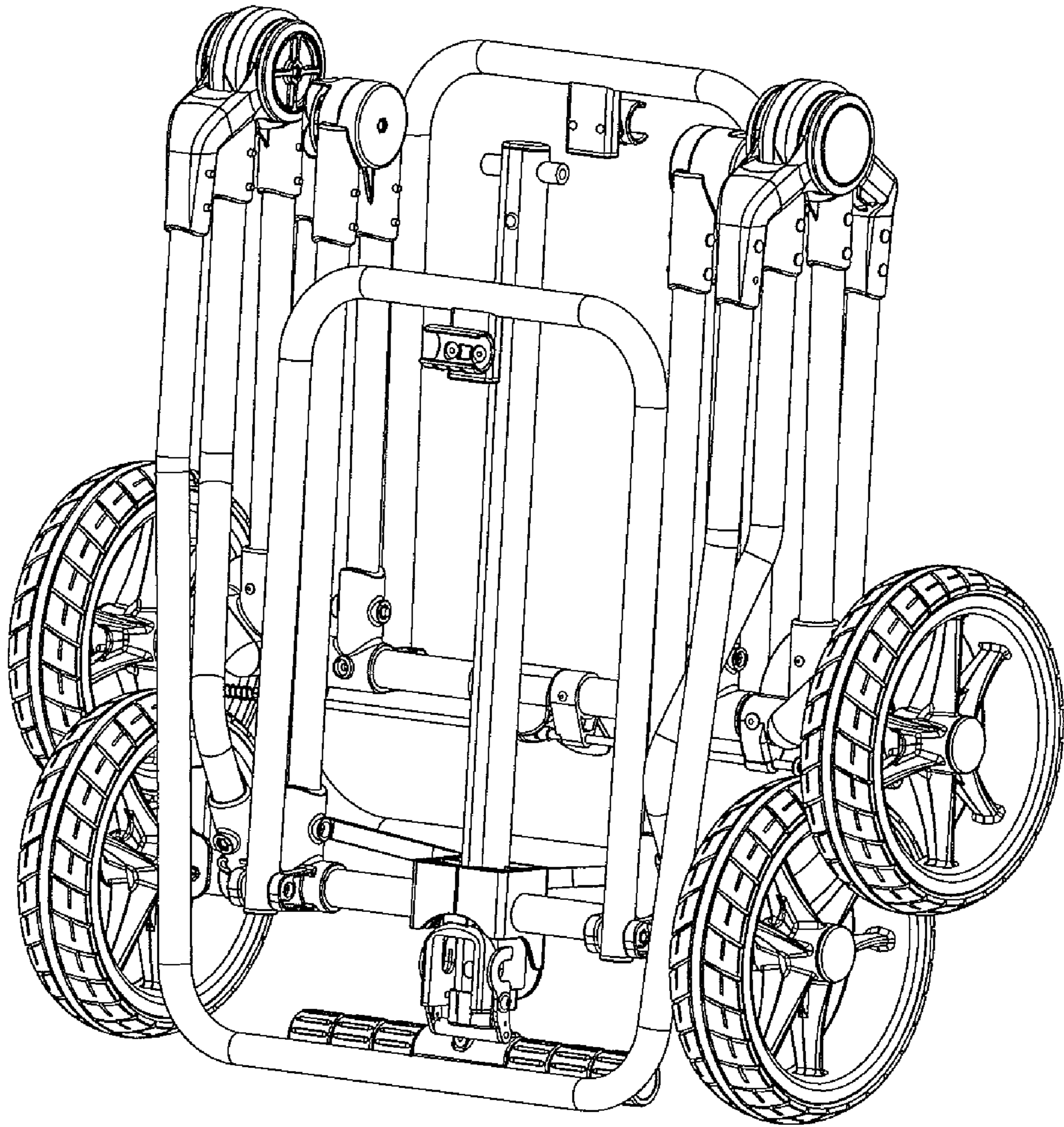


FIG. 8