



US00D634244S

(12) **United States Design Patent**  
**Aris et al.**

(10) **Patent No.:** **US D634,244 S**  
(45) **Date of Patent:** **\*\* Mar. 15, 2011**

(54) **TRUCK CAB**

(56) **References Cited**

(75) Inventors: **Steve Charles Aris**, Ann Arbor, MI (US); **Glen Joel Durmisevich**, Rochester Hills, MI (US); **Christian Michael Hardin**, Waterford, MI (US); **George McCowan**, Fort Wayne, IN (US); **John Song**, Ypsilanti, MI (US); **Christopher Jon Spurlin**, Fort Wayne, IN (US); **Christopher Lee Koonce**, Albion, IN (US); **Mark Douglas Oberly**, Muncie, IN (US); **Jaimi Leroy Smith**, Lake Orion, MI (US); **Rachele Barbara Cocks**, Columbia City, IN (US); **Ron Schoon**, Littleton, CO (US)

U.S. PATENT DOCUMENTS

D421,412 S *	3/2000	Sutton et al. ....	D12/96
D422,944 S *	4/2000	Hellhake et al. ....	D12/96
D540,218 S *	4/2007	Sekiguchi .....	D12/96
D540,219 S *	4/2007	Oka .....	D12/96
D570,739 S *	6/2008	Emoto et al. ....	D12/96
D570,740 S *	6/2008	Emoto et al. ....	D12/96
D570,741 S *	6/2008	Emoto et al. ....	D12/96
D571,259 S *	6/2008	Emoto et al. ....	D12/96
D623,092 S *	9/2010	Beigel et al. ....	D12/96

\* cited by examiner

*Primary Examiner* — Melody N Brown

(74) *Attorney, Agent, or Firm* — Jeffrey P. Calfa; Mark C. Bach; Gerald W. Askew

(73) Assignee: **International Truck Intellectual Property Company, LLC**, Warrenville, IL (US)

(57) **CLAIM**

The ornamental design for a truck cab, as shown and described.

(\*\*) Term: **14 Years**

**DESCRIPTION**

(21) Appl. No.: **29/367,783**

(22) Filed: **Aug. 12, 2010**

(51) **LOC (9) Cl.** ..... **12-16**

(52) **U.S. Cl.** ..... **D12/96**

(58) **Field of Classification Search** ..... D12/96,  
D12/97, 98, 12, 90–92; 296/180.1–180.3,  
296/181.1–185, 183, 183.1, 186, 186.1; 180/89.12,  
180/89.1, 242, 449

FIG. 1 is a front and side perspective view of a truck cab showing our new design;  
FIG. 2 is a left side elevation view thereof;  
FIG. 3 is a front elevation view thereof;  
FIG. 4 is a rear elevation view thereof;  
FIG. 5 is a right side elevation view thereof; and,  
FIG. 6 is a top plan view thereof.

See application file for complete search history.

**1 Claim, 6 Drawing Sheets**





FIG. 1

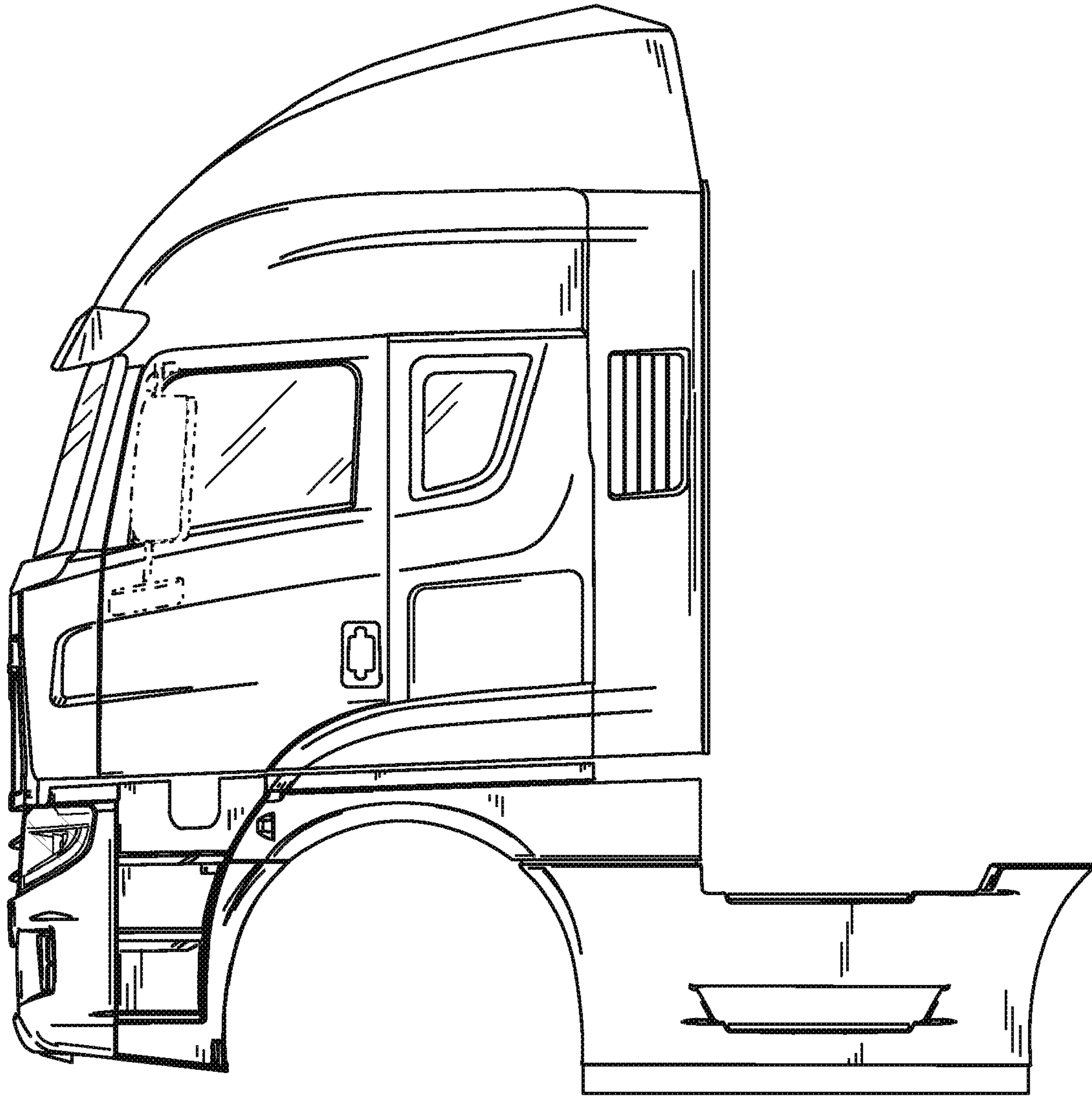


FIG. 2



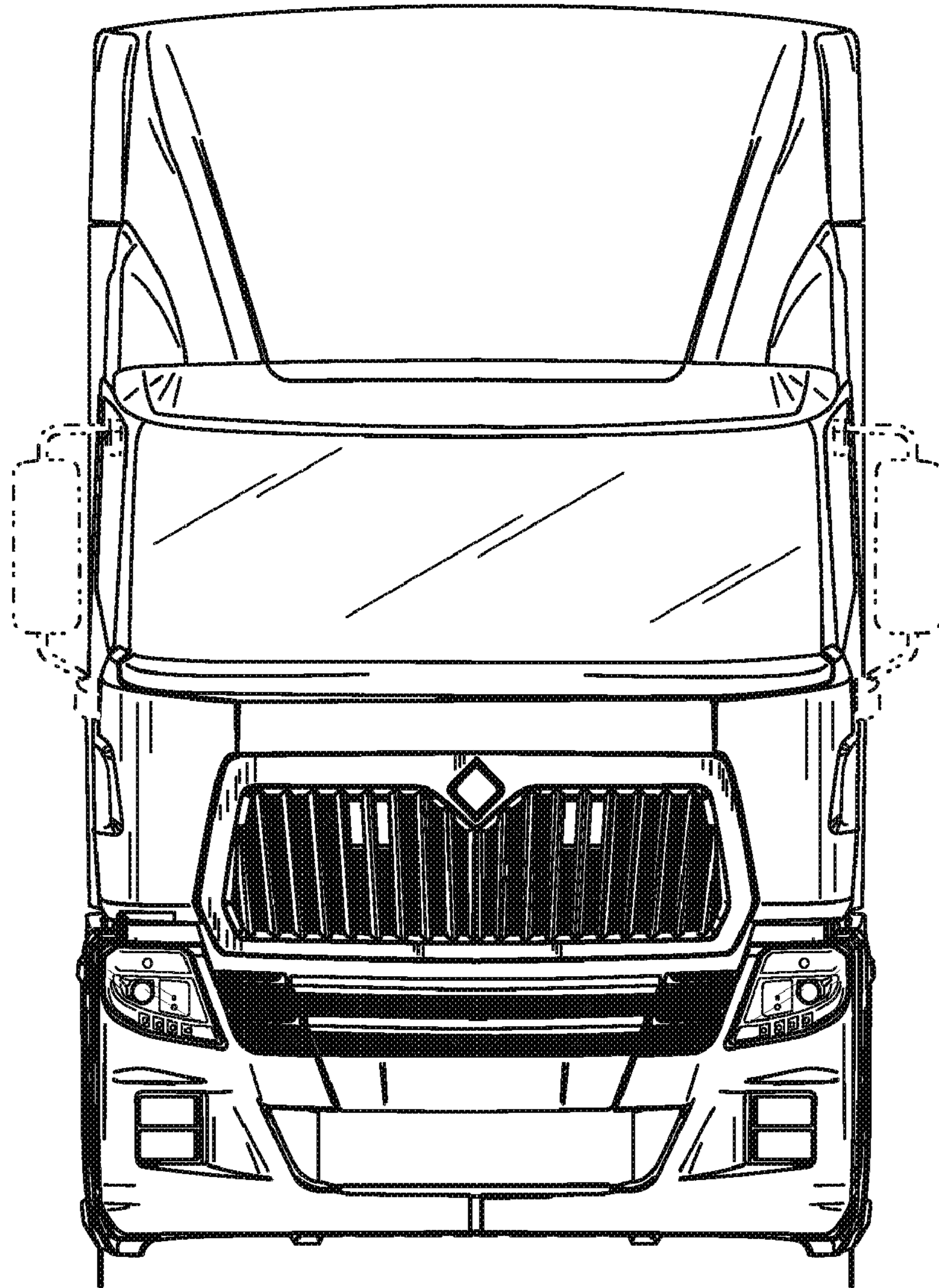


FIG. 3

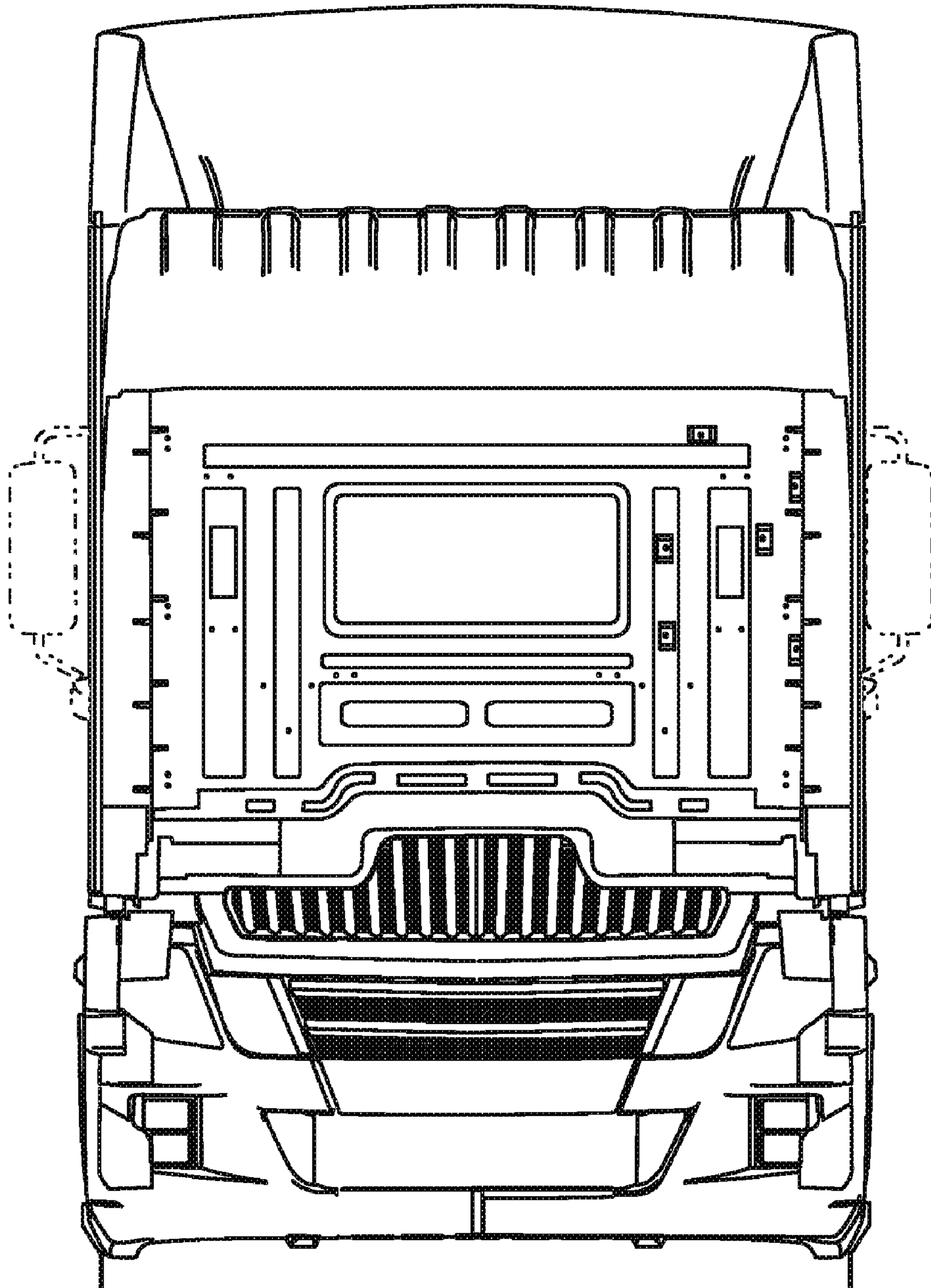


FIG. 4

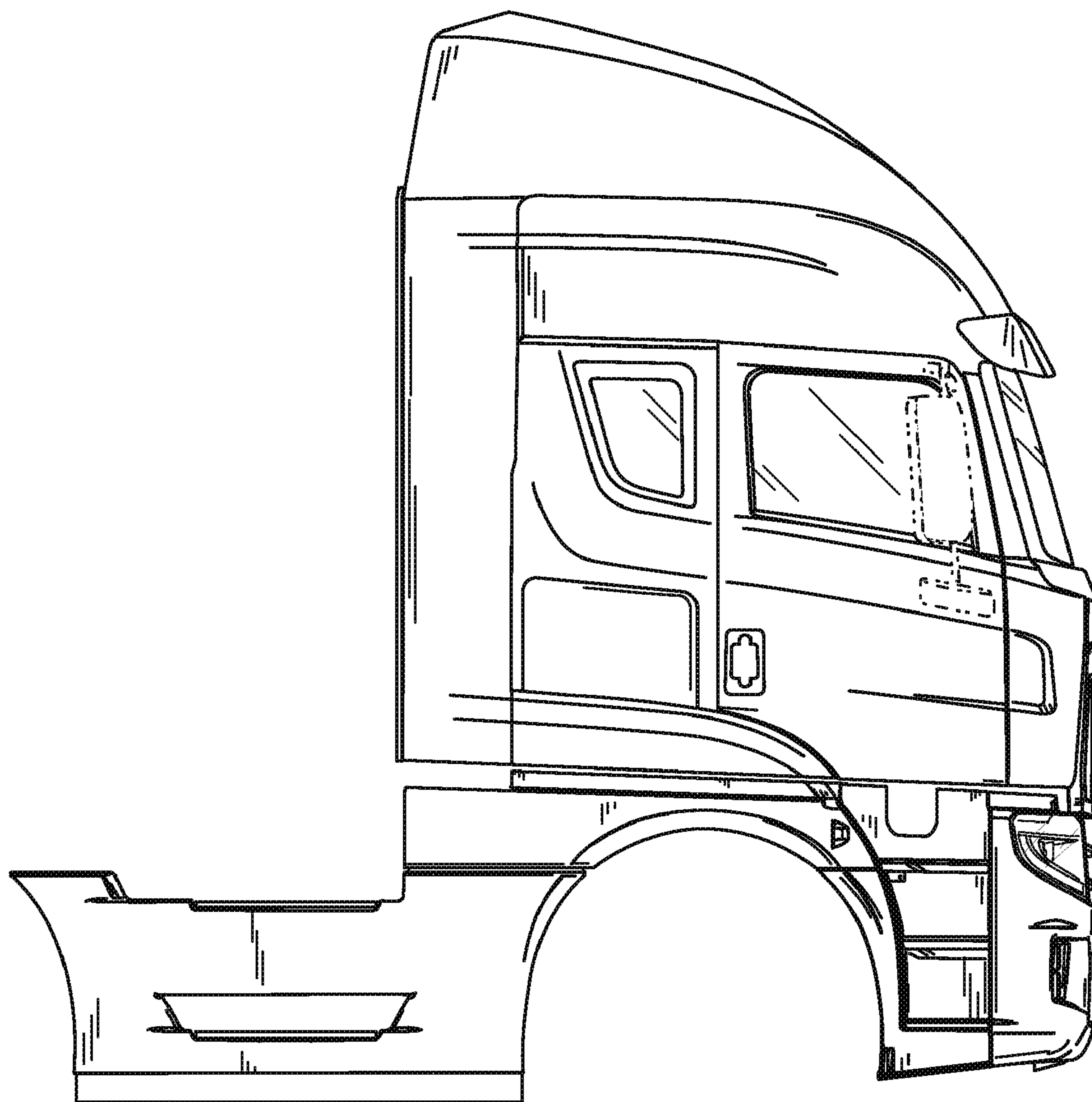


FIG. 5

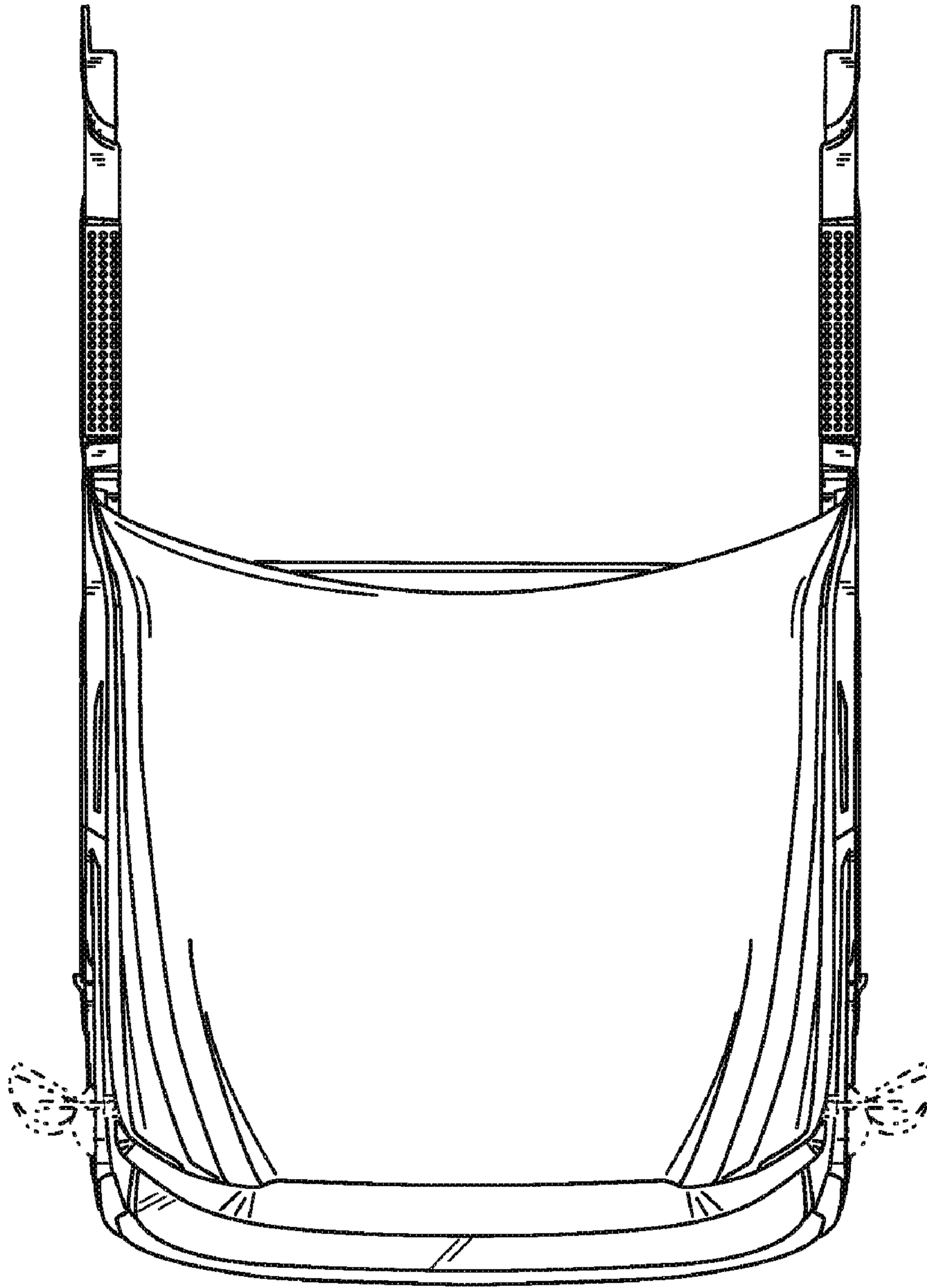


FIG. 6