



US00D634240S

(12) **United States Design Patent**
Junkeer

(10) **Patent No.:** **US D634,240 S**

(45) **Date of Patent:** **** Mar. 15, 2011**

(54) **VEGETATION PLANTER**

(75) **Inventor:** **Gerald Junkeer**, South Yarra (AU)

(73) **Assignee:** **Nicola Gail Junkeer** (AU)

(**) **Term:** **14 Years**

(21) **Appl. No.:** **29/326,473**

(22) **Filed:** **Oct. 20, 2008**

(30) **Foreign Application Priority Data**

Apr. 21, 2008 (AU) 11873/2008

(51) **LOC (9) Cl.** **11-02**

(52) **U.S. Cl.** **D11/155**

(58) **Field of Classification Search** D6/300,
D6/310, 314, 556-558; D8/1; D11/143-156;
D19/77, 81; D26/9-11; D34/1, 2, 4-6; D99/5,
D99/19; 43/32.4, 32.5, 32.7, 33, 41.01, 41.1,
43/41.11-41.15, 44-47, 65, 65.5, 65.9, 68-71
See application file for complete search history.

(56) **References Cited**

U.S. PATENT DOCUMENTS

D245,241 S * 8/1977 Robinson D11/155
4,407,092 A * 10/1983 Ware 47/64
D381,600 S * 7/1997 Yurkovic D11/143
D385,507 S * 10/1997 Hulsebus D11/156

D423,983 S * 5/2000 Goldman et al. D11/143
D424,472 S * 5/2000 Grosfillex D11/155
D429,399 S * 8/2000 Swanson D34/5
D446,157 S * 8/2001 Glenn D11/156
D571,688 S * 6/2008 White D11/155
D578,929 S * 10/2008 White D11/155
D586,689 S * 2/2009 Gallagher D11/155

* cited by examiner

Primary Examiner — Garth Rademaker

(74) *Attorney, Agent, or Firm* — John F. Letchford; Archer & Greiner, P.C.

(57) **CLAIM**

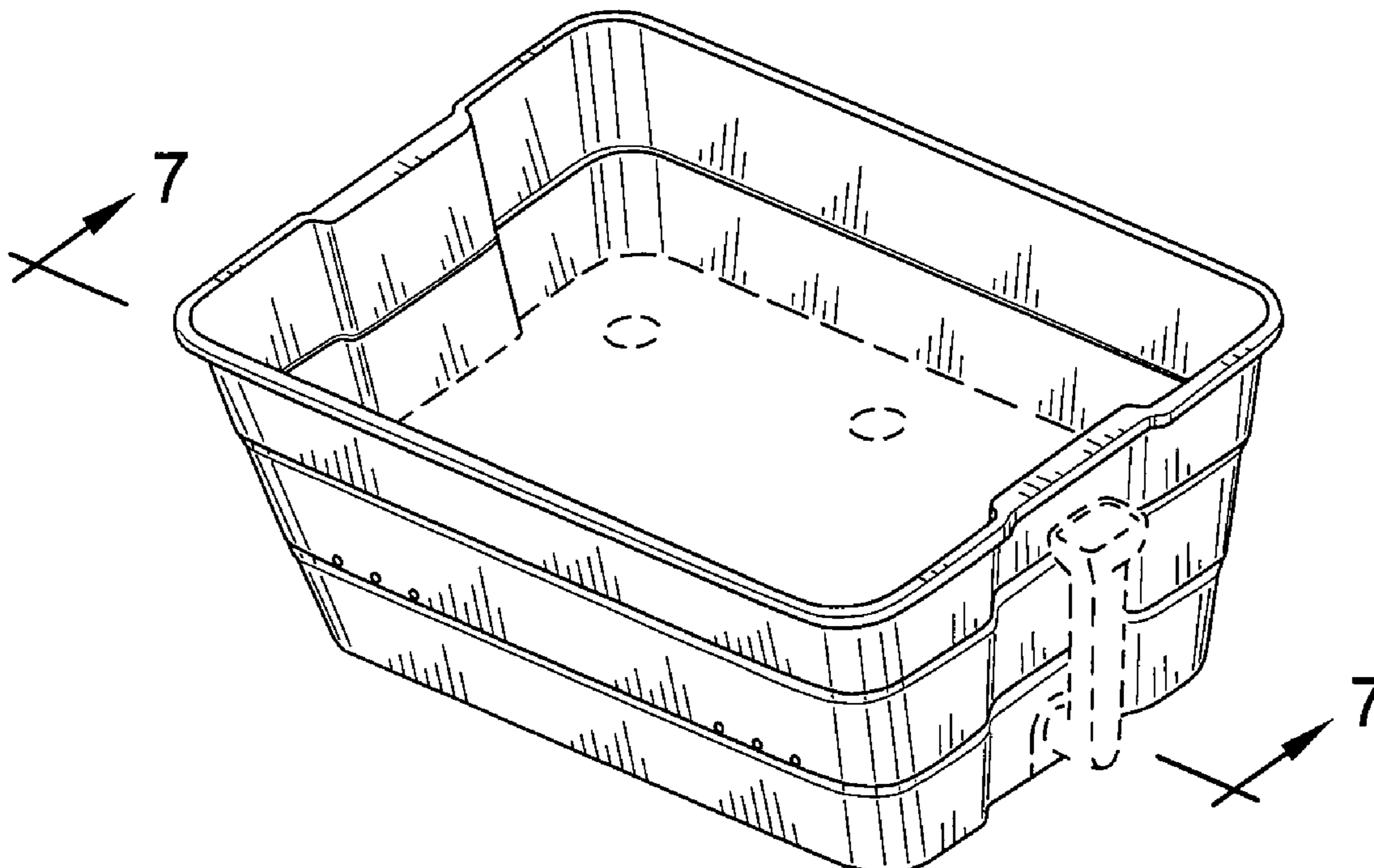
The ornamental design for a vegetation planter, as shown and described.

DESCRIPTION

FIG. 1 is a perspective bottom view of a vegetation planter showing my new design;
FIG. 2 is a perspective top view thereof;
FIG. 3 is a bottom plan view thereof;
FIG. 4 is a left side elevation view thereof;
FIG. 5 is a right side elevation view thereof;
FIG. 6 is a front elevation view thereof; and,
FIG. 7 is a cross-sectional view thereof taken along line 7—7 of FIG. 2.

The claimed ornamental design is shown in solid lines in the drawings. The broken lines in the drawings are for illustrative purposes only and form no part of the claimed design.

1 Claim, 3 Drawing Sheets



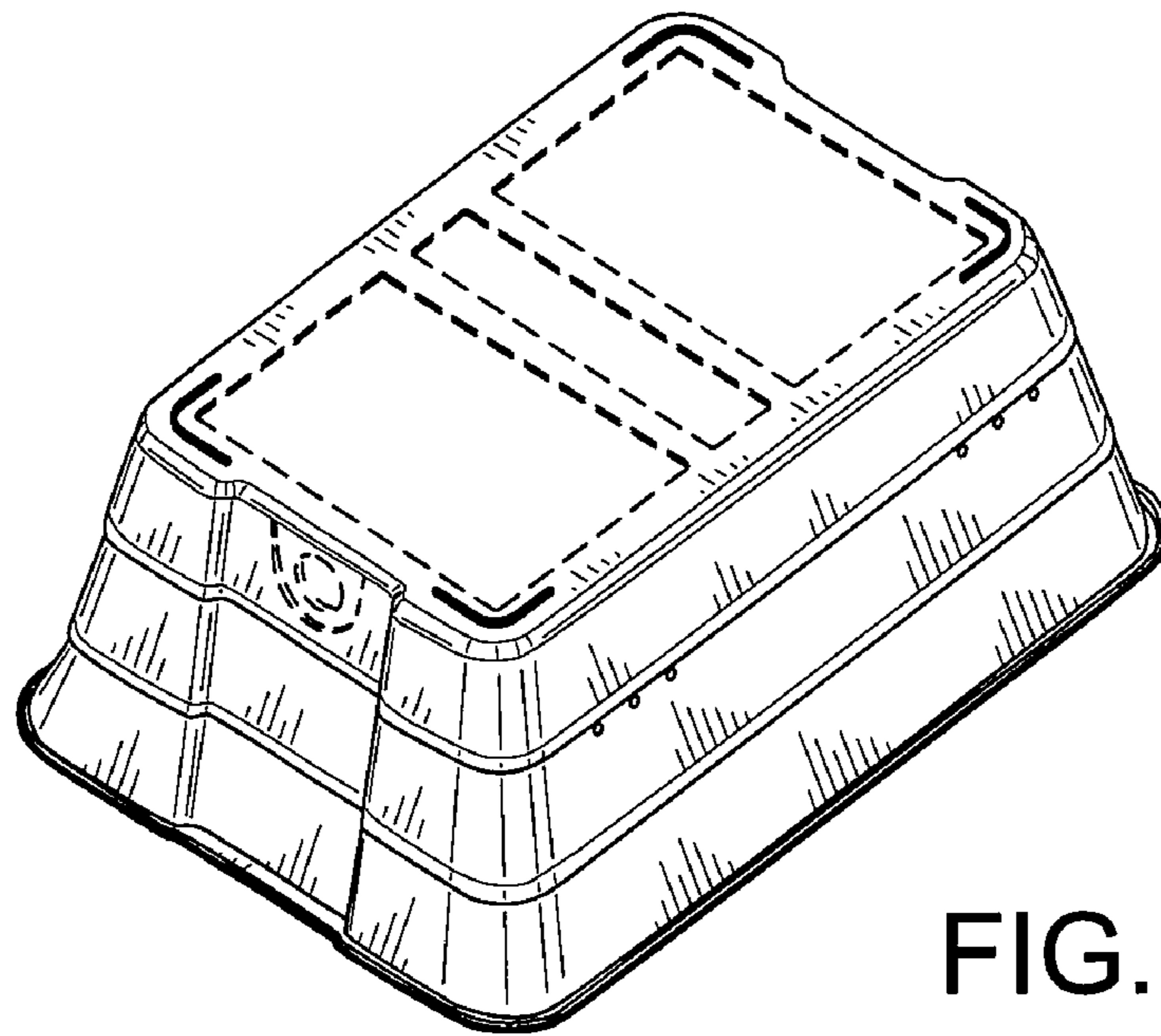


FIG. 1

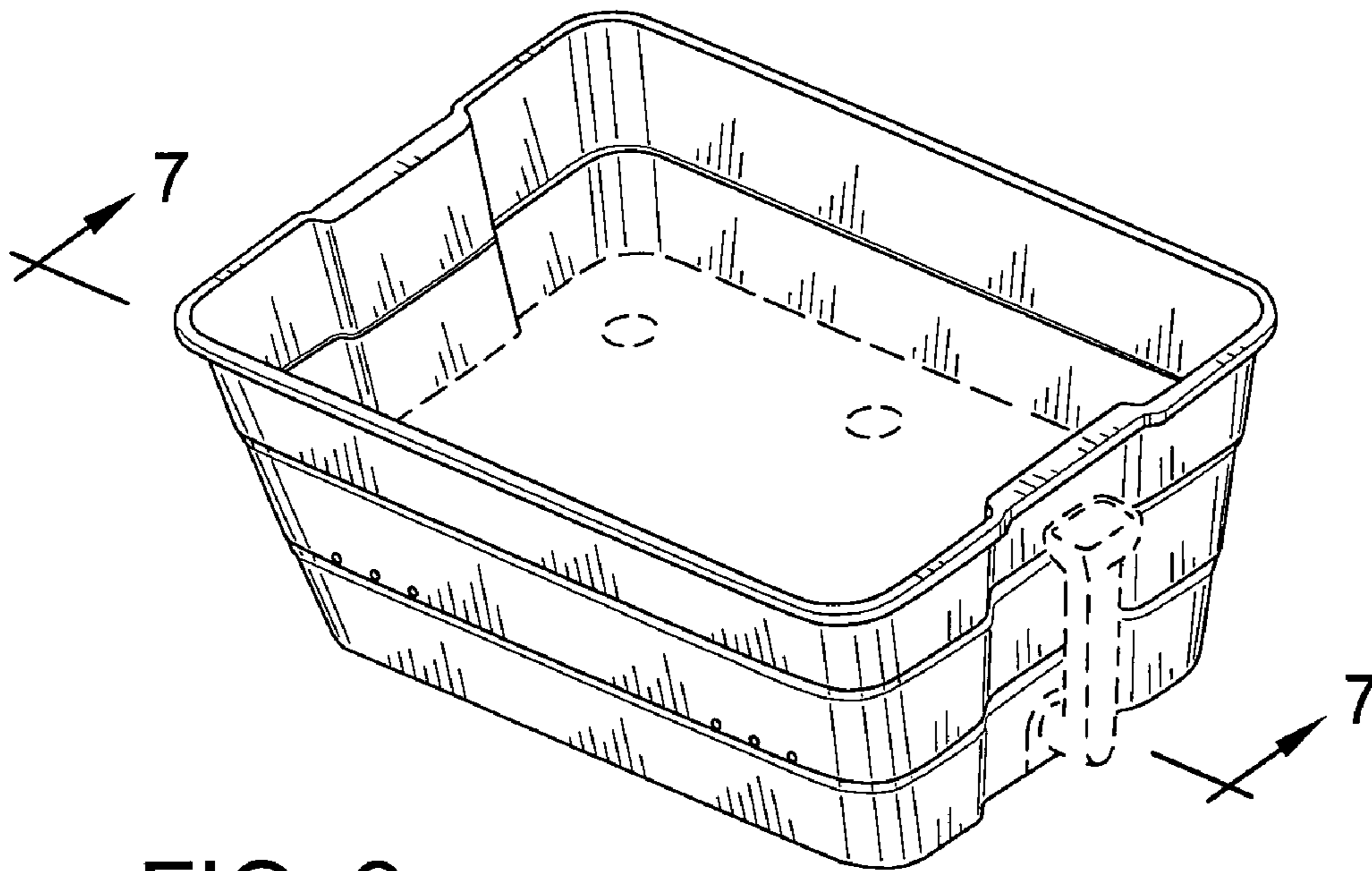


FIG. 2

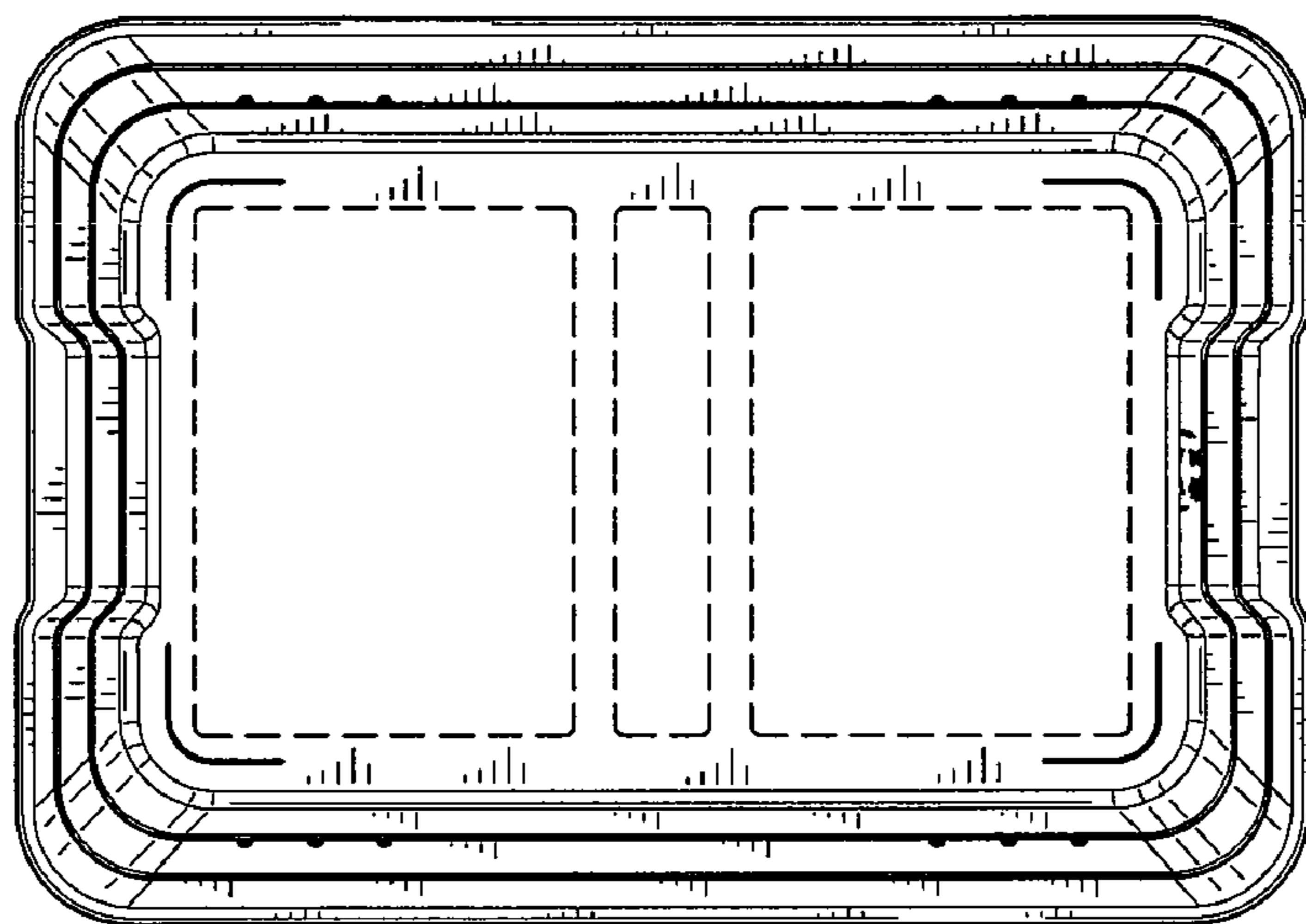


FIG. 3

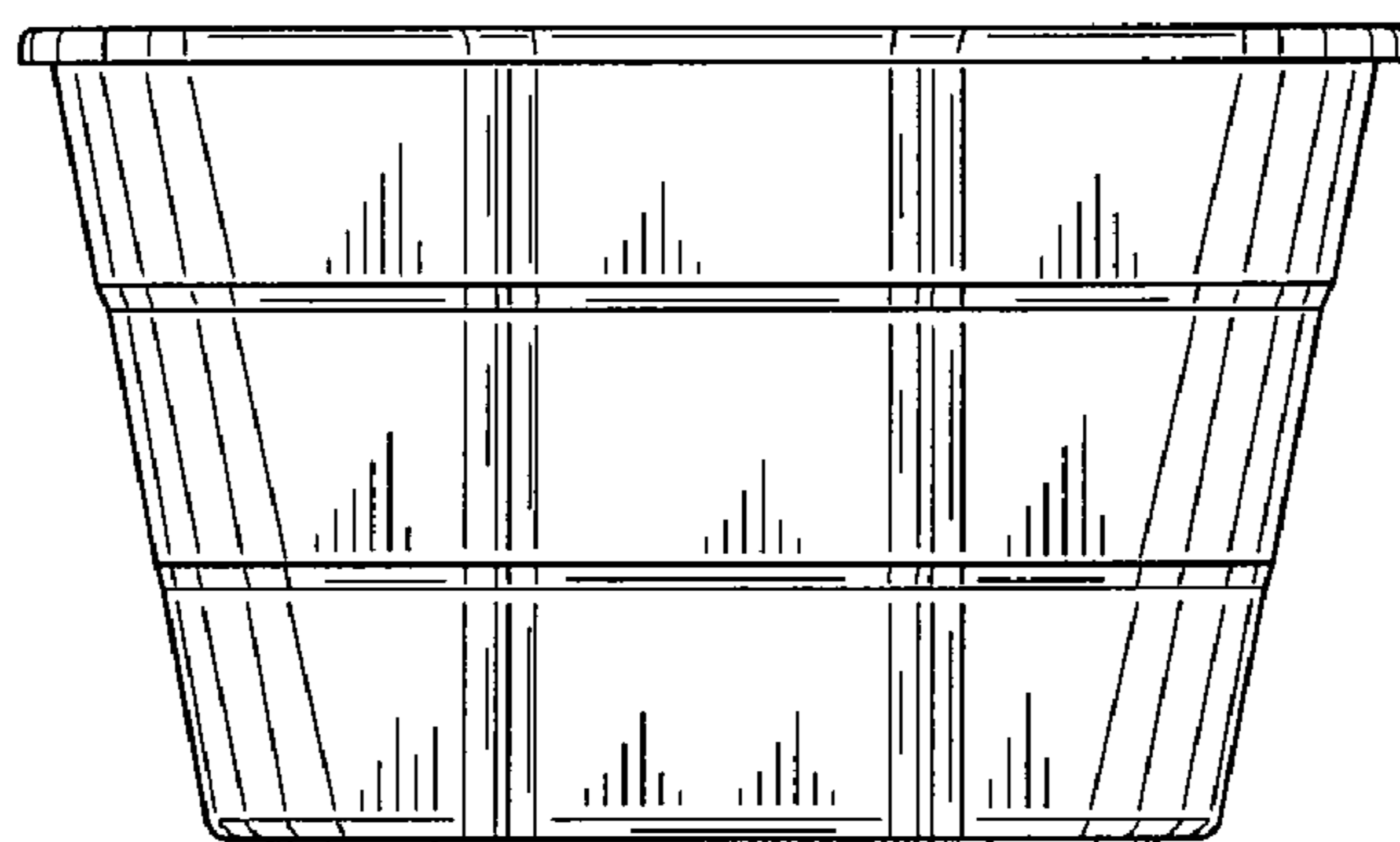


FIG. 4

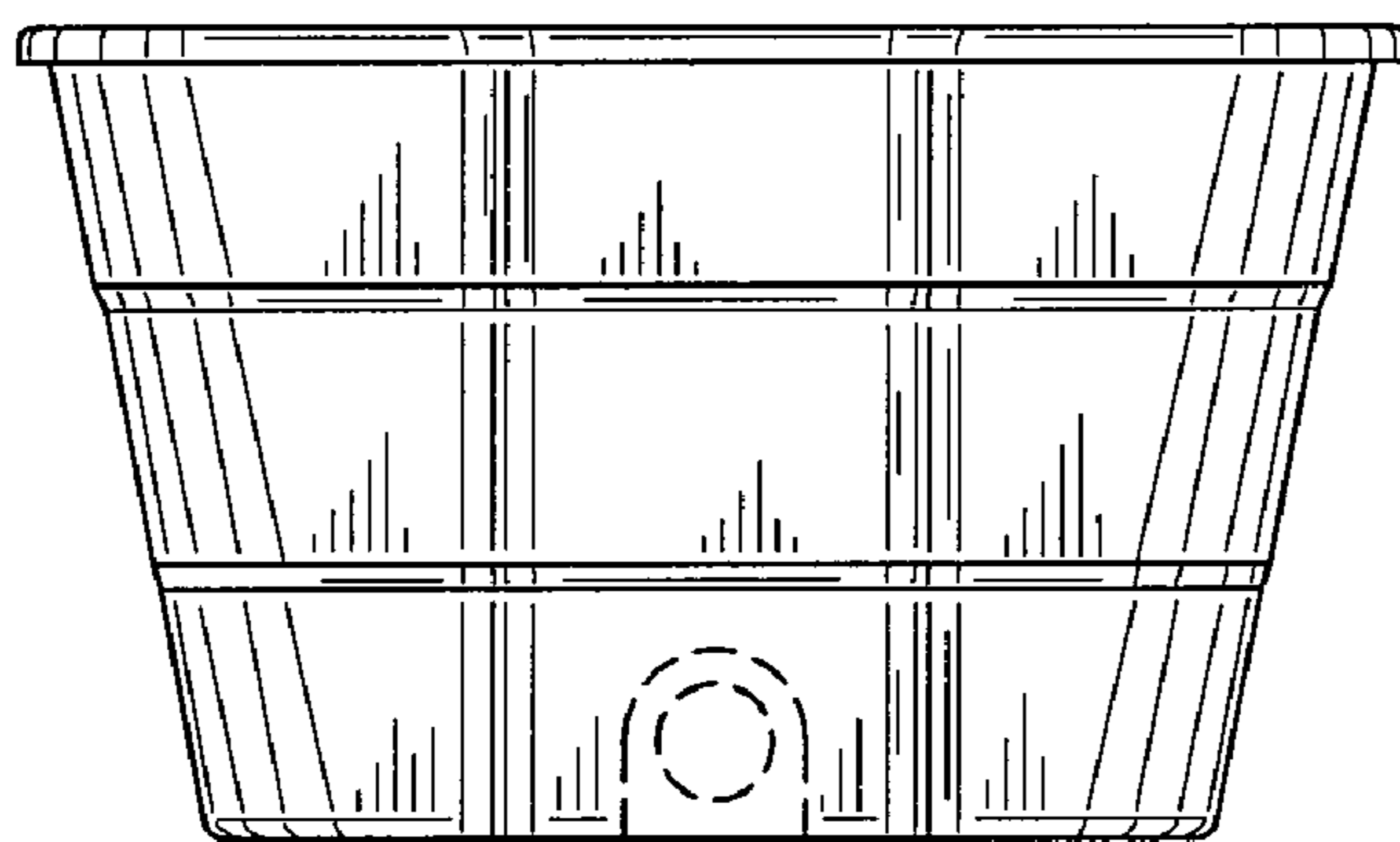


FIG. 5

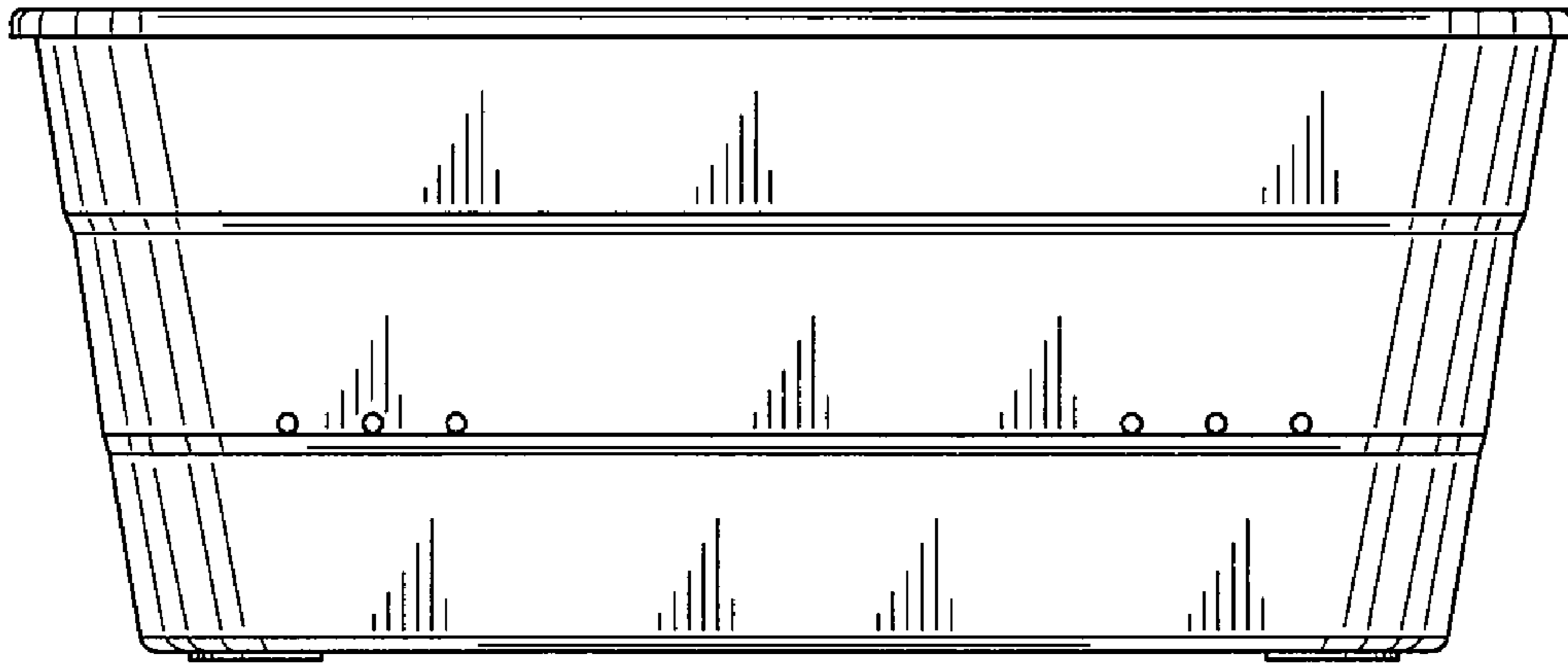


FIG. 6

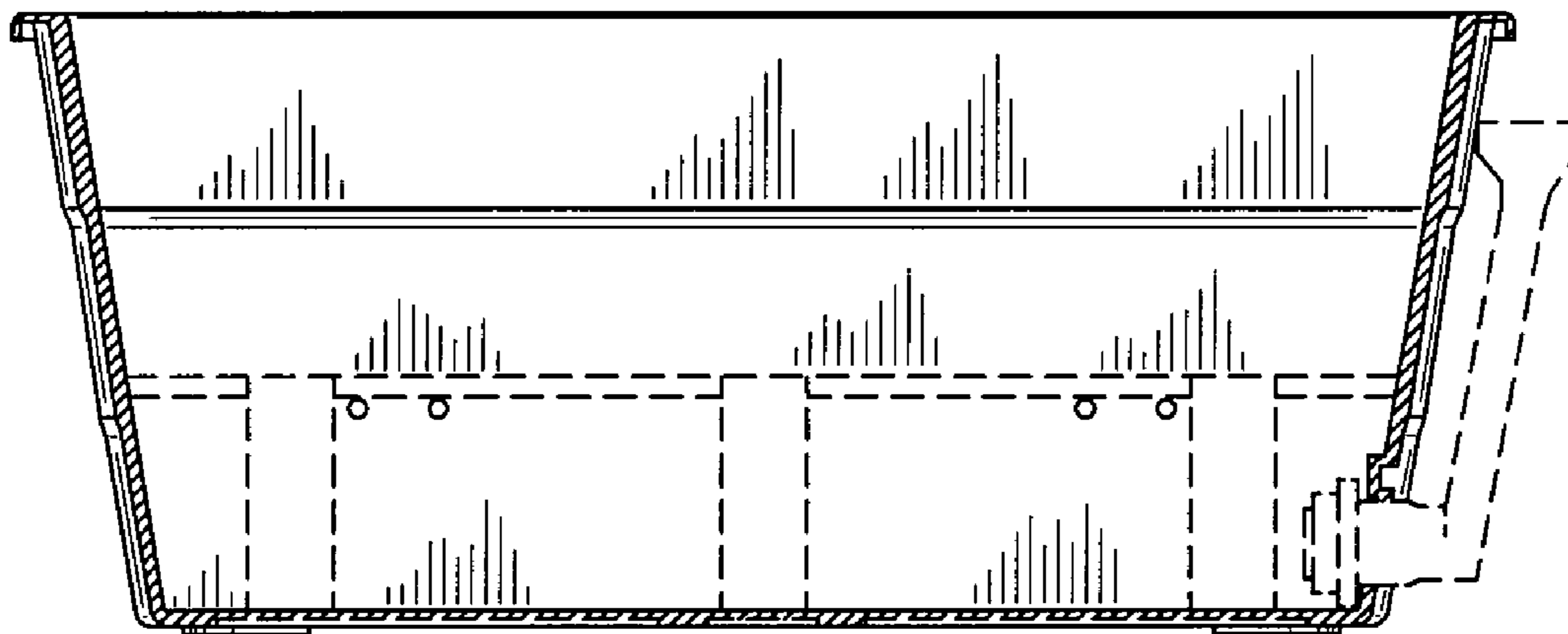


FIG. 7