



US00D634231S

(12) **United States Design Patent**
Donofrio

(10) **Patent No.:** **US D634,231 S**
(45) **Date of Patent:** **** Mar. 15, 2011**

(54) **ZIPPER BRACELET**

<http://www.polyvore.com/cgi/img-thing?.out=jpg&size=1&tid=12903347>.*

(76) Inventor: **Lauren Donofrio**, Elmwood Park, IL
(US)

* cited by examiner

(**) Term: **14 Years**

Primary Examiner — Cathron C Brooks

Assistant Examiner — Melanie Levy

(21) Appl. No.: **29/368,438**

(74) *Attorney, Agent, or Firm* — Niro Haller & Niro

(22) Filed: **Aug. 24, 2010**

(57) **CLAIM**

The ornamental design for a zipper bracelet, as shown and described.

(51) **LOC (9) Cl.** **11-01**

(52) **U.S. Cl.** **D11/3**

(58) **Field of Classification Search** D11/1-25,
D11/221; 63/12, 13, 14, 3, 3.1, 3.2, 4, 5.1,
63/5.2, 6; 24/381, 383, 585.1

See application file for complete search history.

DESCRIPTION

FIG. 1 is a perspective view of a zipper bracelet showing our new design;

FIG. 2 is a front elevation view thereof;

FIG. 3 is a left side elevation view thereof;

FIG. 4 is a rear elevational view thereof;

FIG. 5 is a top plan view thereof;

FIG. 6 is a bottom plan view thereof;

FIG. 7 is a perspective view thereof with the top and bottom clasps fastened and the zipper in a closed position;

FIG. 8 is a perspective view of the zipper bracelet with the zipper in an open position view thereof (a user's arm is depicted in phantom); and,

FIG. 9 is a perspective view of the bracelet with the top and bottom clasps fastened together and the zipper in an open position and view thereof (a user's arm is depicted in phantom).

The phantom lines shown in the drawings represent environmental matter and form no part of the claimed design.

(56) **References Cited**

U.S. PATENT DOCUMENTS

D265,638	S	*	8/1982	Barr	D11/10
D602,800	S	*	10/2009	Sorenson	D11/5
2003/0019085	A1	*	1/2003	Loglisci	24/304
2010/0269312	A1	*	10/2010	Wagner et al.	24/400

OTHER PUBLICATIONS

- http://3.bp.blogspot.com/_rKzEFHCyMDs/SfhUcvumAVI/AAAAAAAABG8/pxgJkpG9kXQ/s400/boudoirzipbangle552_3055.jpg.*
- <http://fashion.elle.com/.a/6a00d834527a7669e20120a60e3f8a970c-800wi>.*
- http://img.coplusk.net/originals/0009/2380/10_zip_bracelet_4_1258609532.jpg.*

1 Claim, 3 Drawing Sheets

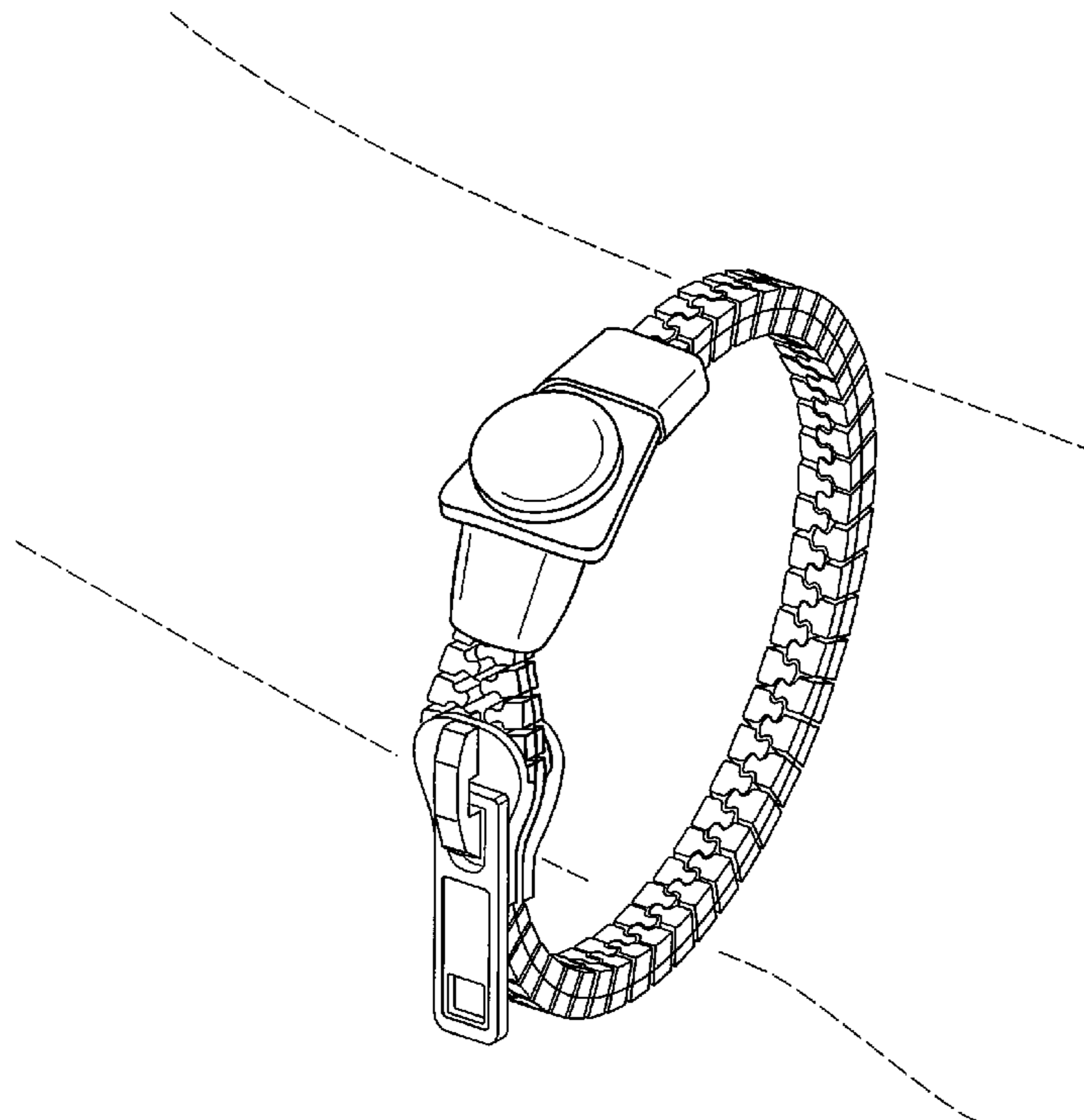


Fig. 1

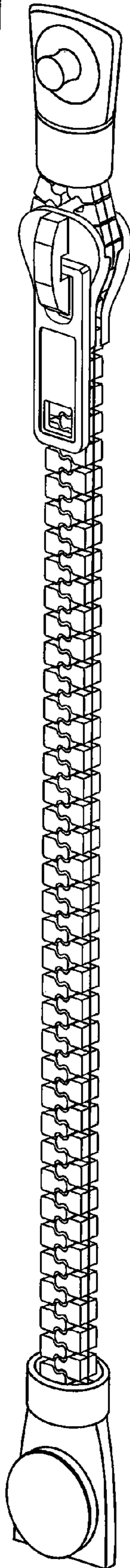


Fig. 2

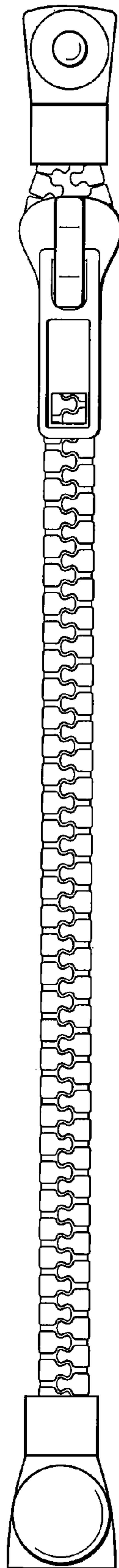


Fig. 3

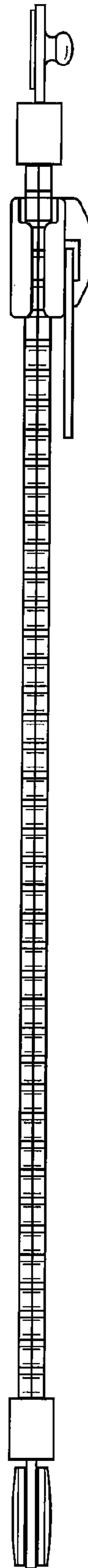


Fig. 4

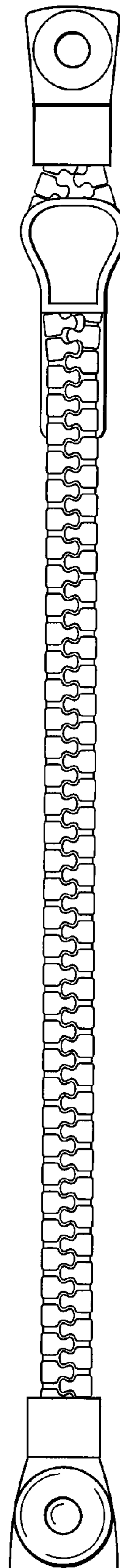


Fig. 5

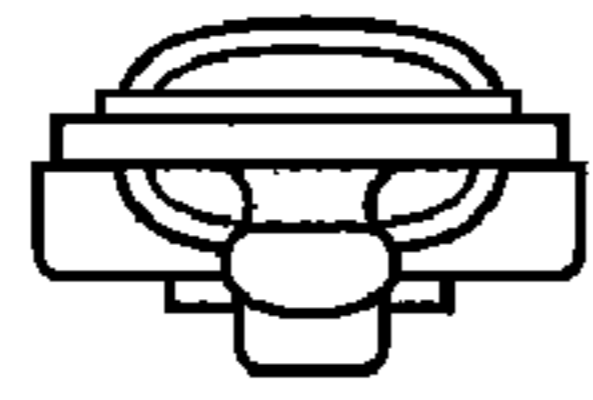


Fig. 6

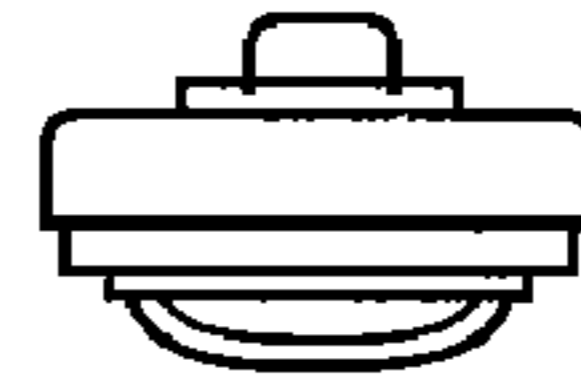
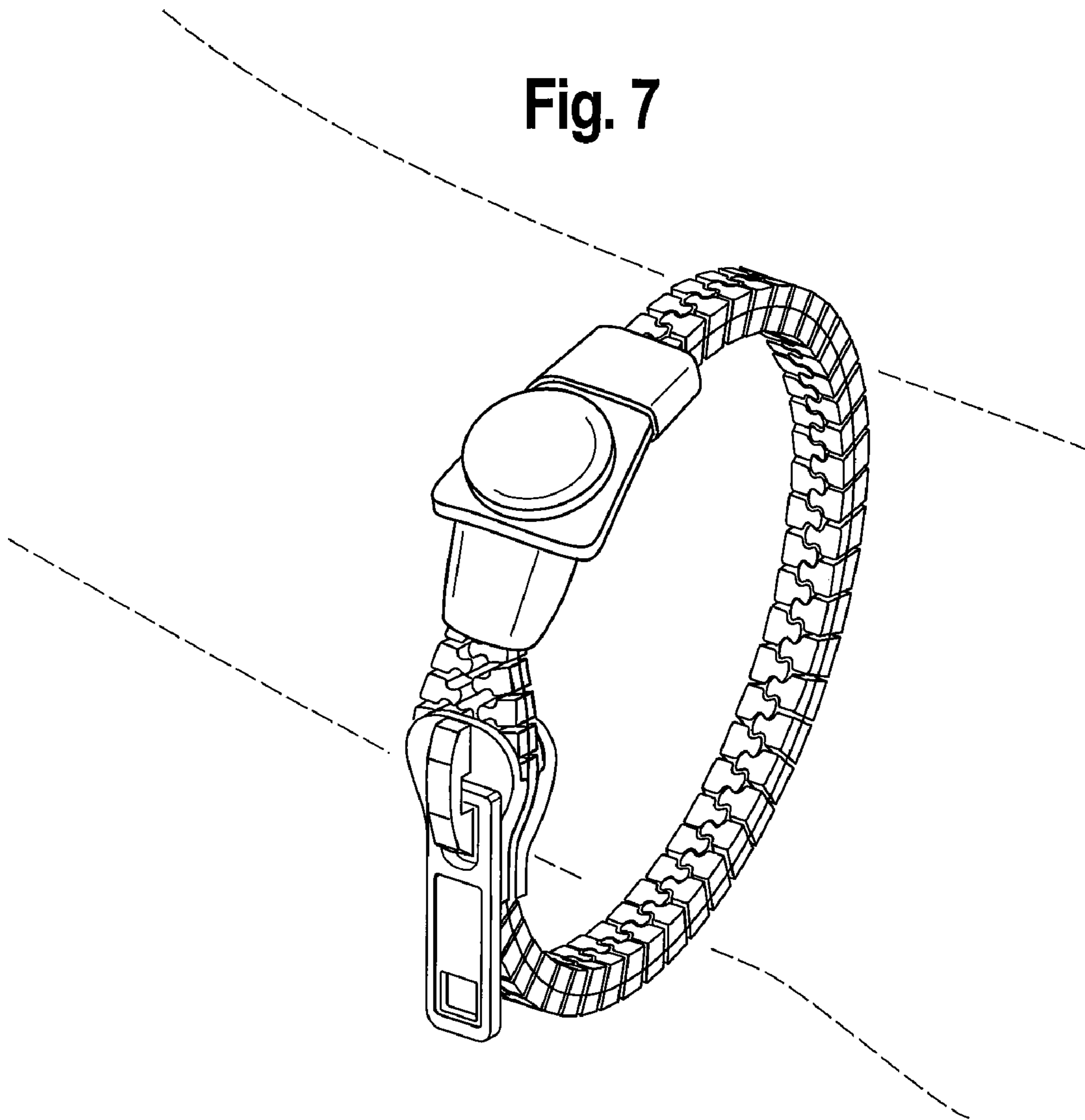


Fig. 7



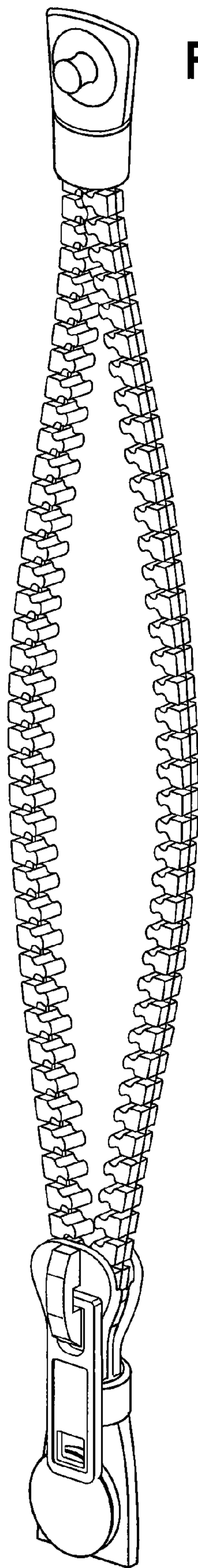


Fig. 8

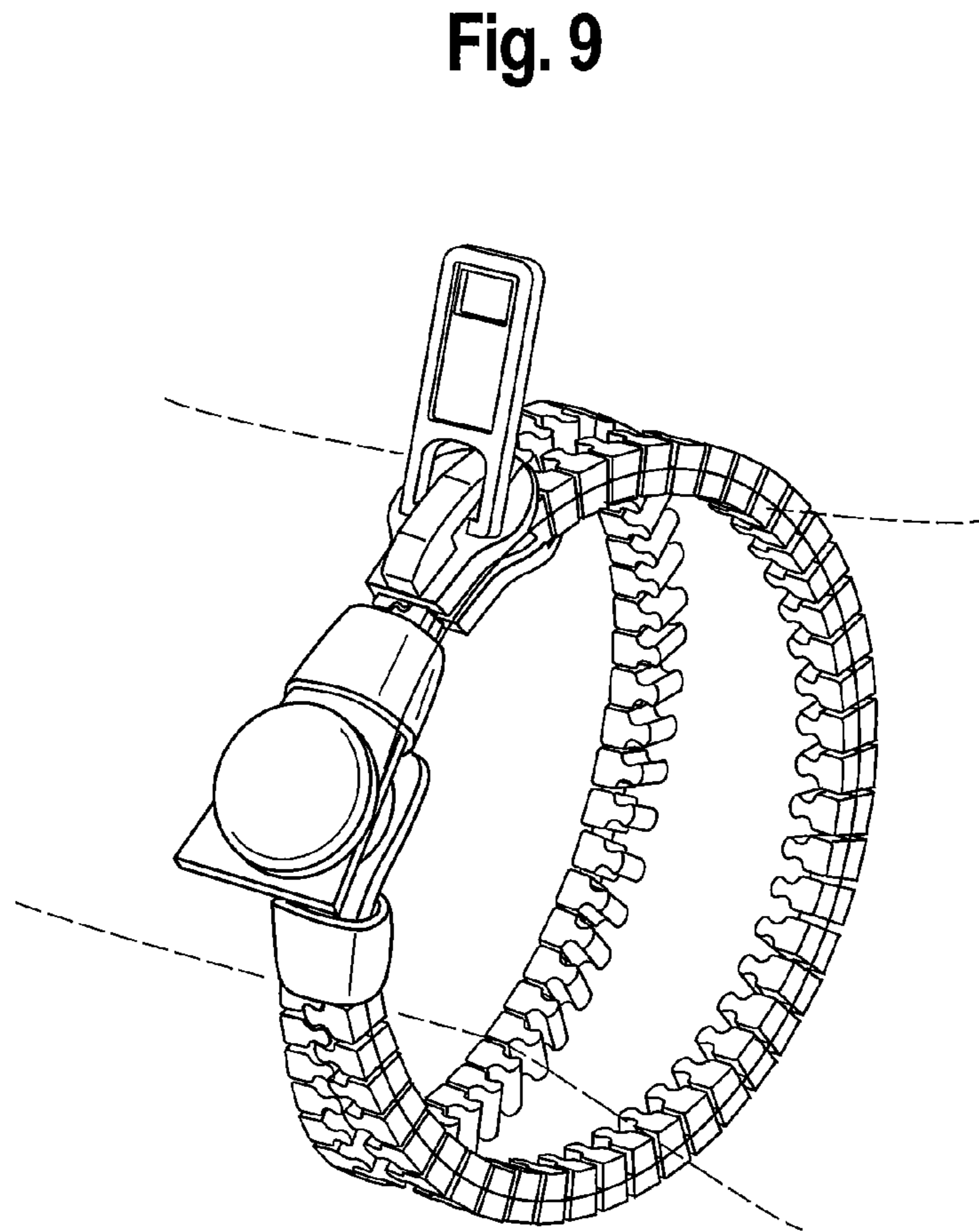


Fig. 9