



US00D634228S

(12) **United States Design Patent**
Steger et al.

(10) **Patent No.:** **US D634,228 S**
(45) **Date of Patent:** **** Mar. 15, 2011**

(54) **ELECTRICAL PIN USED IN INTEGRATED
CIRCUIT TEST SOCKETS**

(75) Inventors: **John E. Steger**, Richfield, MN (US);
Russell F. Oberg, Beldenville, WI (US);
Gary W. Michalko, Ham Lake, MN
(US)

(73) Assignee: **Johnstech International**, Minneapolis,
MN (US)

(**) Term: **14 Years**

(21) Appl. No.: **29/346,633**

(22) Filed: **Nov. 3, 2009**

(51) **LOC (9) Cl.** **10-04**

(52) **U.S. Cl.** **D10/78**

(58) **Field of Classification Search** D10/78,
D10/80; 324/72.5, 556, 133, 149, 503, 543,
324/555, 66, 72, 754, 115, 141, 114, 145,
324/156, 508; 340/635, 687, 654; 379/21;
73/866.5

See application file for complete search history.

(56) **References Cited**

U.S. PATENT DOCUMENTS

4,823,078 A * 4/1989 Mohebban 324/133
D351,562 S * 10/1994 Moffatt et al. D10/78

5,877,618 A * 3/1999 Luebke et al. 324/72.5
D410,203 S * 5/1999 Beha D10/78
D460,702 S * 7/2002 Kaise D10/78
D471,828 S * 3/2003 Huang D10/78
D500,799 S * 1/2005 Olson D10/78
D501,415 S * 2/2005 Seymour D10/78
D514,963 S * 2/2006 Shionoiri et al. D10/78
D571,240 S * 6/2008 Chun D10/78
D583,266 S * 12/2008 Wong D10/78

* cited by examiner

Primary Examiner — Antoine D Davis

(74) *Attorney, Agent, or Firm* — Altera Law Group, LLC

(57) **CLAIM**

The ornamental design for an electrical pin used in integrated circuit test sockets, as shown and described.

DESCRIPTION

FIG. 1 is a perspective view of the ornamental design for an electrical pin used in integrated circuit test sockets.

FIG. 2 is a side view thereof.

FIG. 3 is a back view thereof.

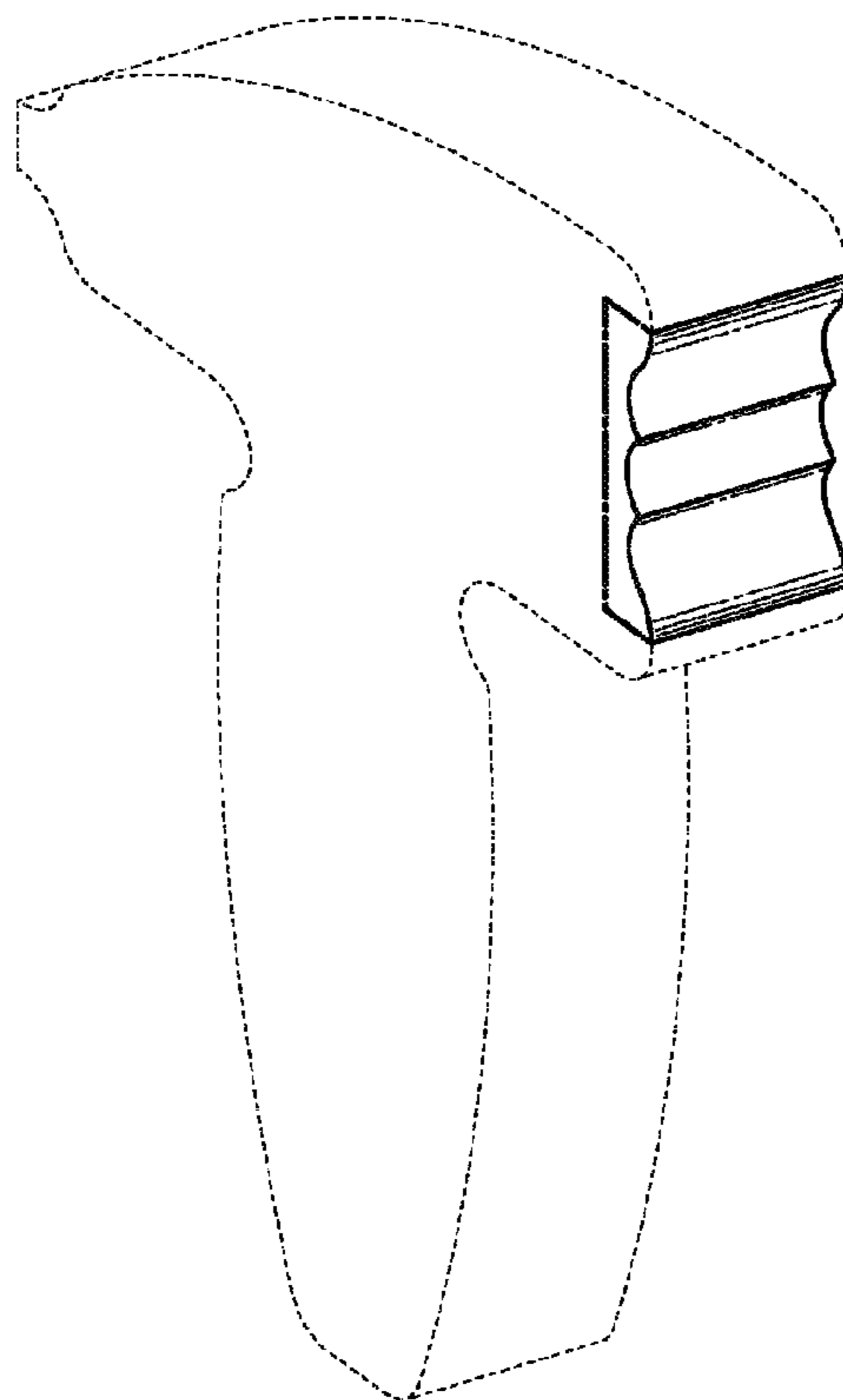
FIG. 4 is a perspective view thereof an alternate embodiment.

FIG. 5 is a side view of the subject matter of FIG. 4; and,

FIG. 6 is a bottom view thereof the subject matter of FIG. 4.

The broken line showing of structural features is included for the purpose of illustrating non-claimed subject matter and forms no part of the claimed design.

1 Claim, 5 Drawing Sheets



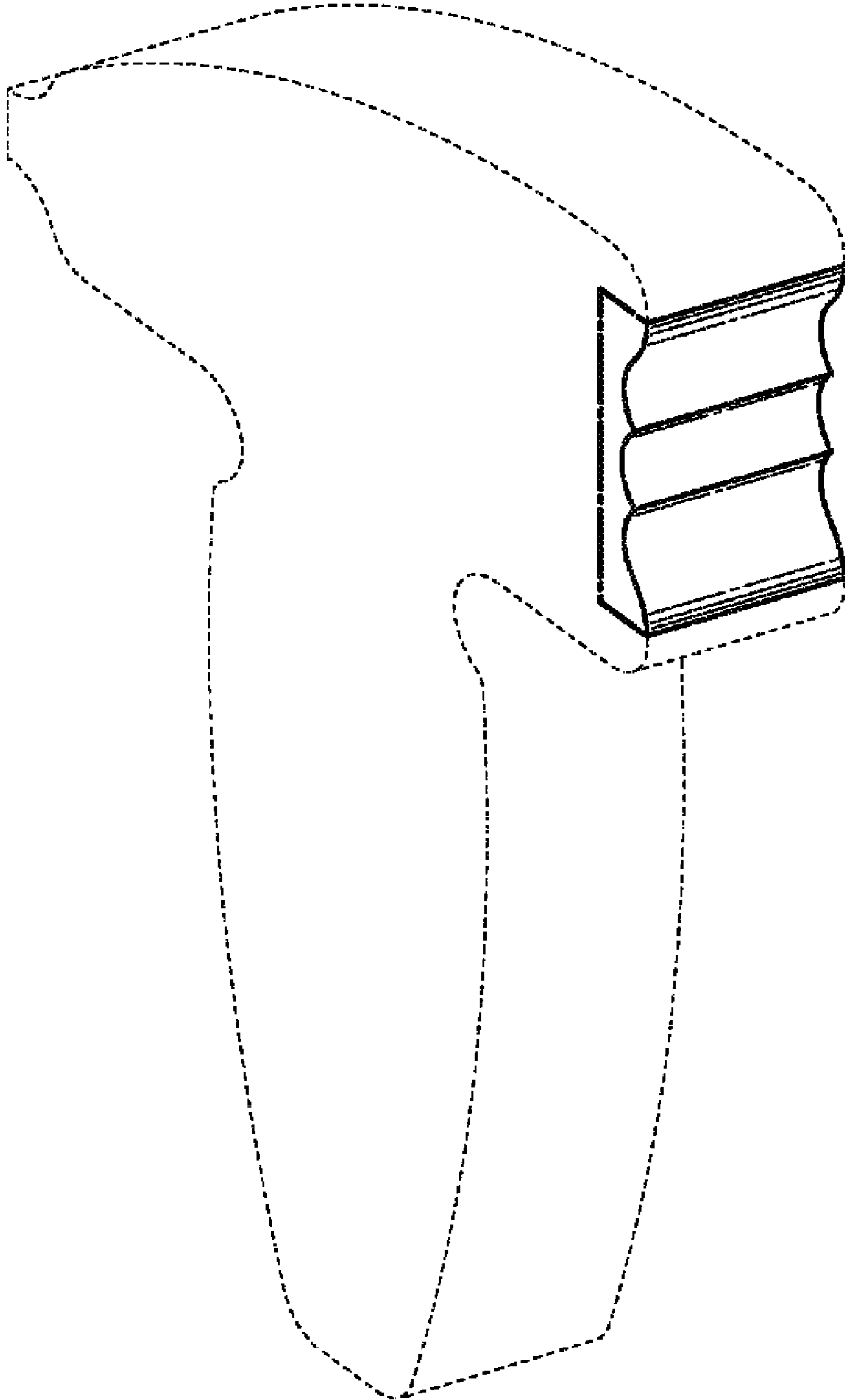


Fig. 1

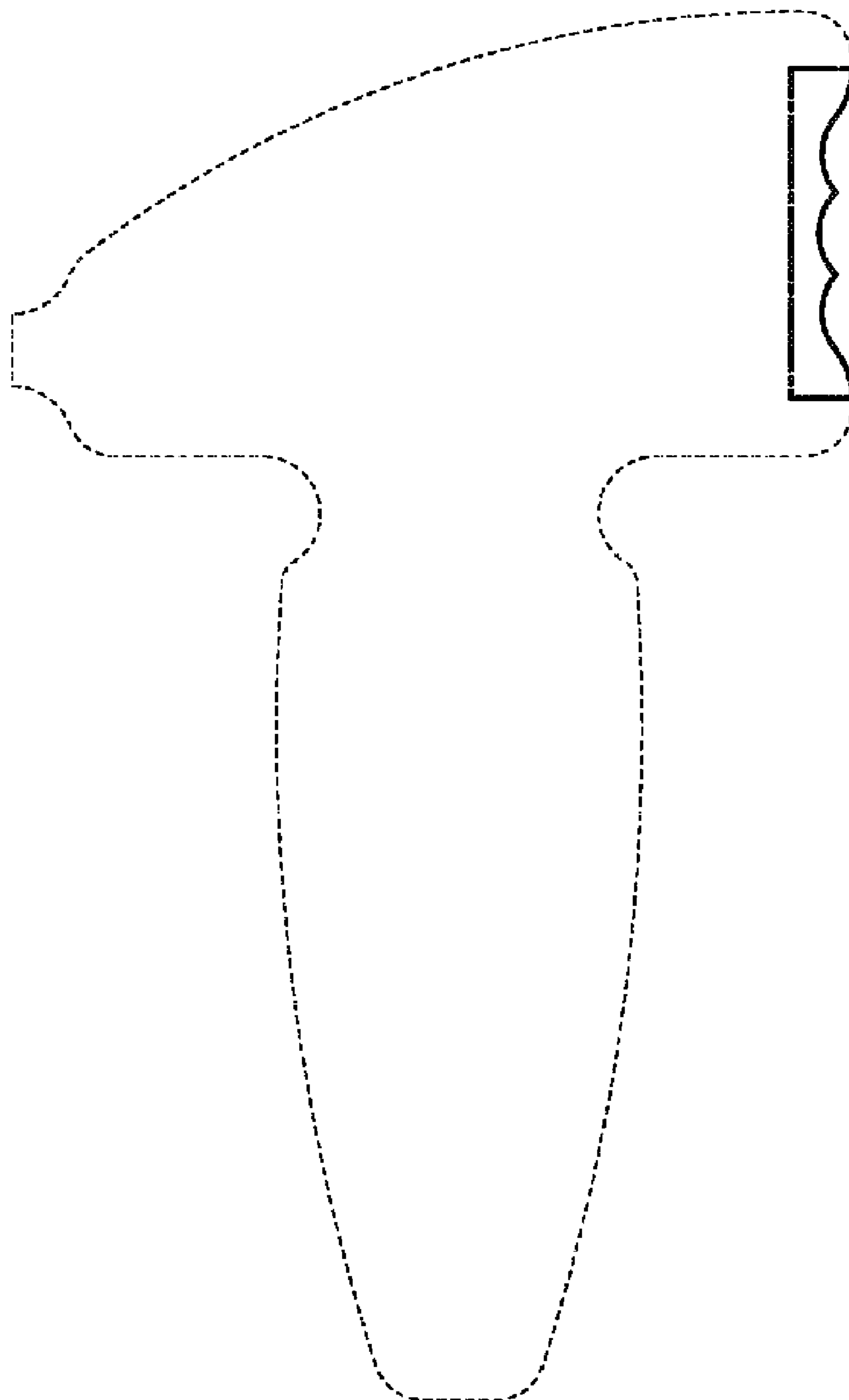


Fig. 2

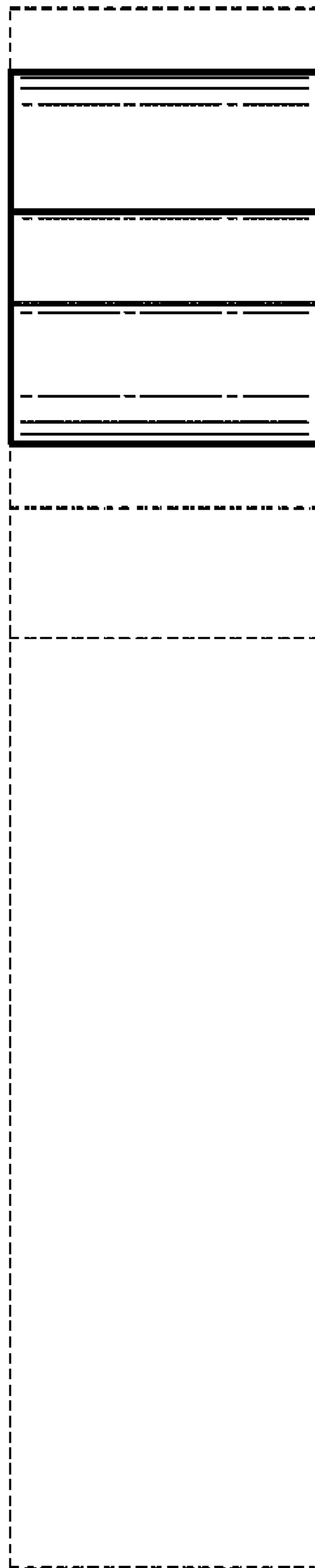


Fig. 3

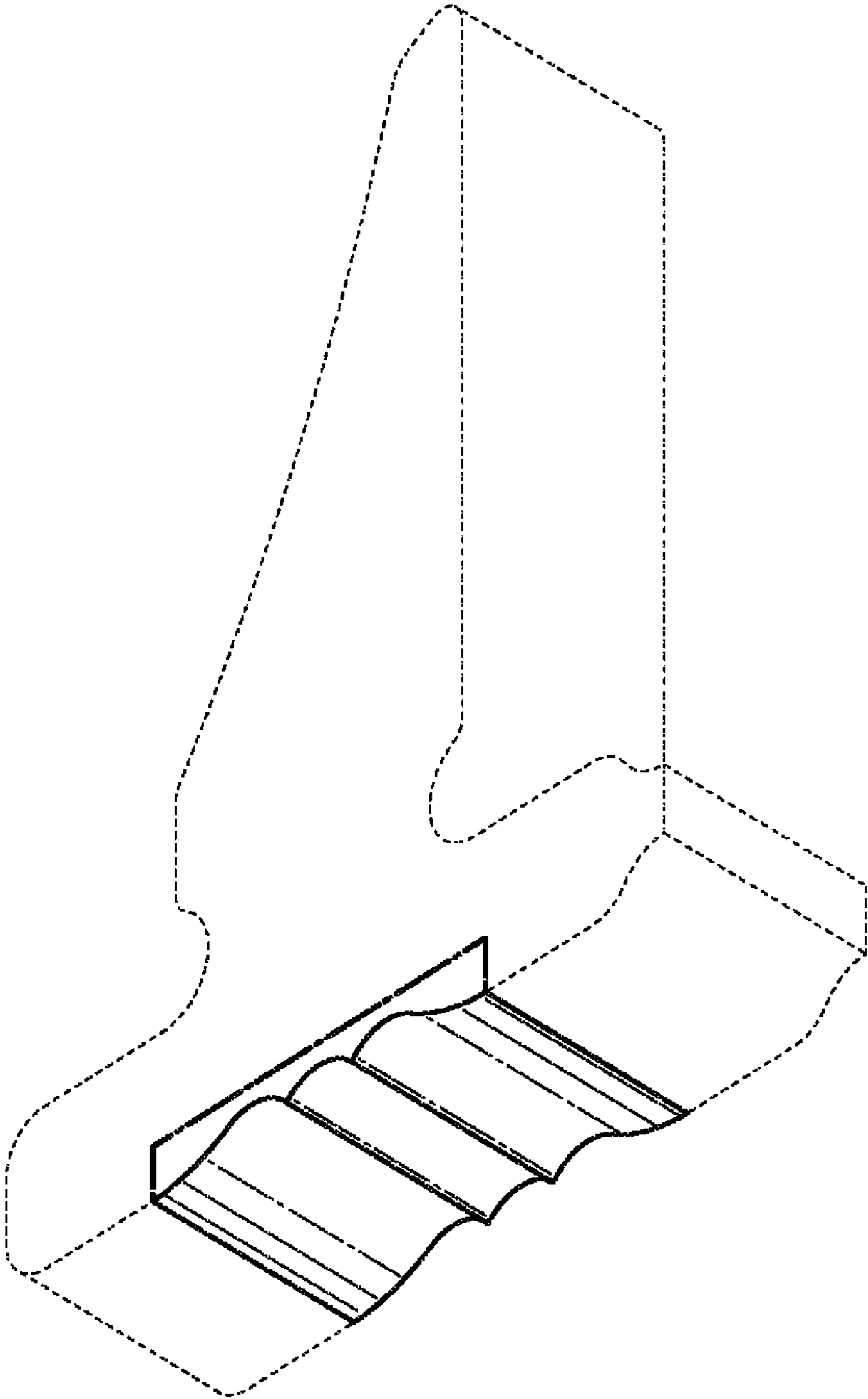


Fig. 4

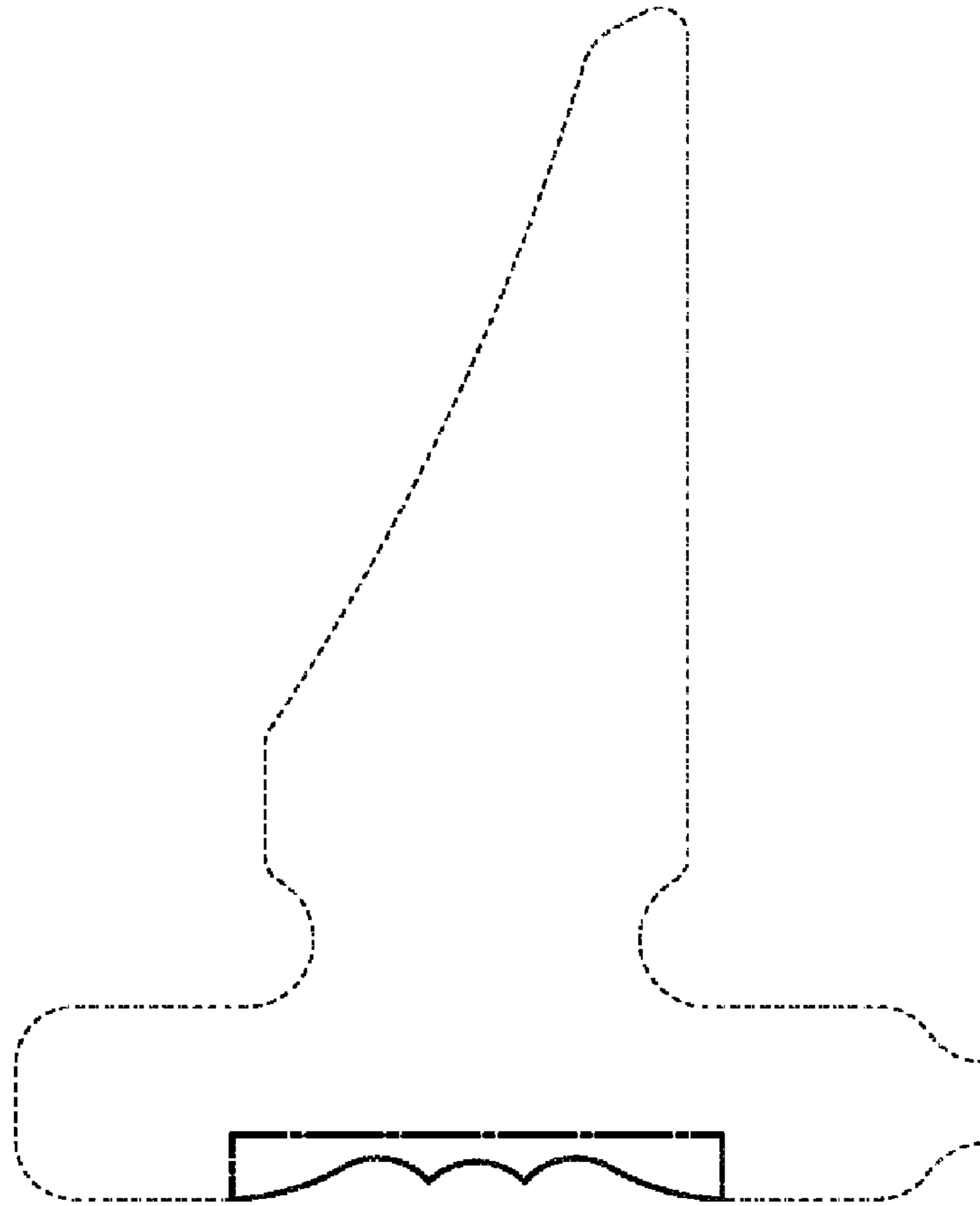


Fig. 5

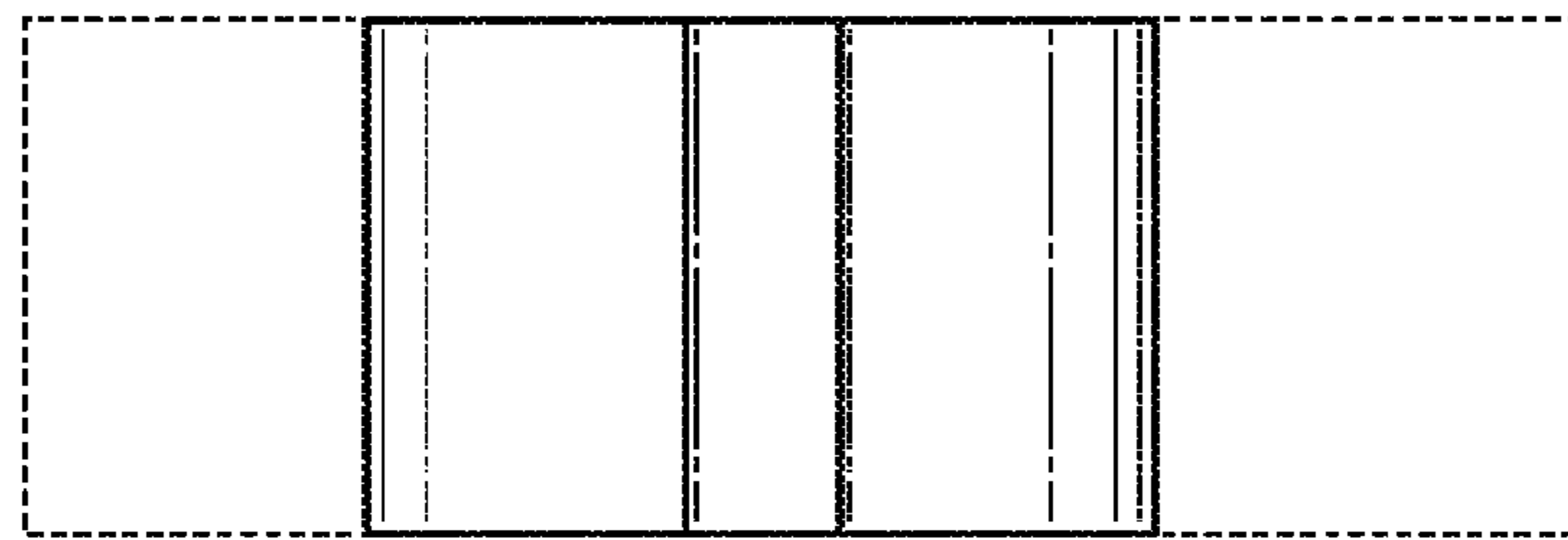


Fig. 6