



US00D634225S

(12) **United States Design Patent**  
**Rauch**

(10) **Patent No.:** **US D634,225 S**

(45) **Date of Patent:** **\*\* Mar. 15, 2011**

(54) **POWER LINE SENSOR ATTACHMENT  
MECHANISM**

(75) Inventor: **Joseph Robert Rauch**, Cary, IL (US)

(73) Assignee: **Schweitzer Engineering Laboratories,  
Inc.**, Pullman, WA (US)

(\*\*) Term: **14 Years**

(21) Appl. No.: **29/358,085**

(22) Filed: **Mar. 22, 2010**

(51) **LOC (9) Cl.** ..... **10-04**

(52) **U.S. Cl.** ..... **D10/75**

(58) **Field of Classification Search** ..... D10/75,  
D10/80; 340/870.02; 359/2; 370/311, 329,  
370/389, 406, 458; 709/224, 249; 714/31,  
714/46, 57

See application file for complete search history.

(56) **References Cited**

U.S. PATENT DOCUMENTS

D242,776 S \* 12/1976 Jakobsen ..... D10/75

\* cited by examiner

*Primary Examiner* — Antoine D Davis

(74) *Attorney, Agent, or Firm* — Richard M. Edge

(57) **CLAIM**

The ornamental design for a power line sensor attachment mechanism, substantially as shown and described.

**DESCRIPTION**

FIG. 1 is a front elevation view of a point sensor attachment mechanism;

FIG. 2 is a back elevation view thereof;

FIG. 3 is a left-side view thereof;

FIG. 4 is a right-side view thereof;

FIG. 5 is a top view thereof;

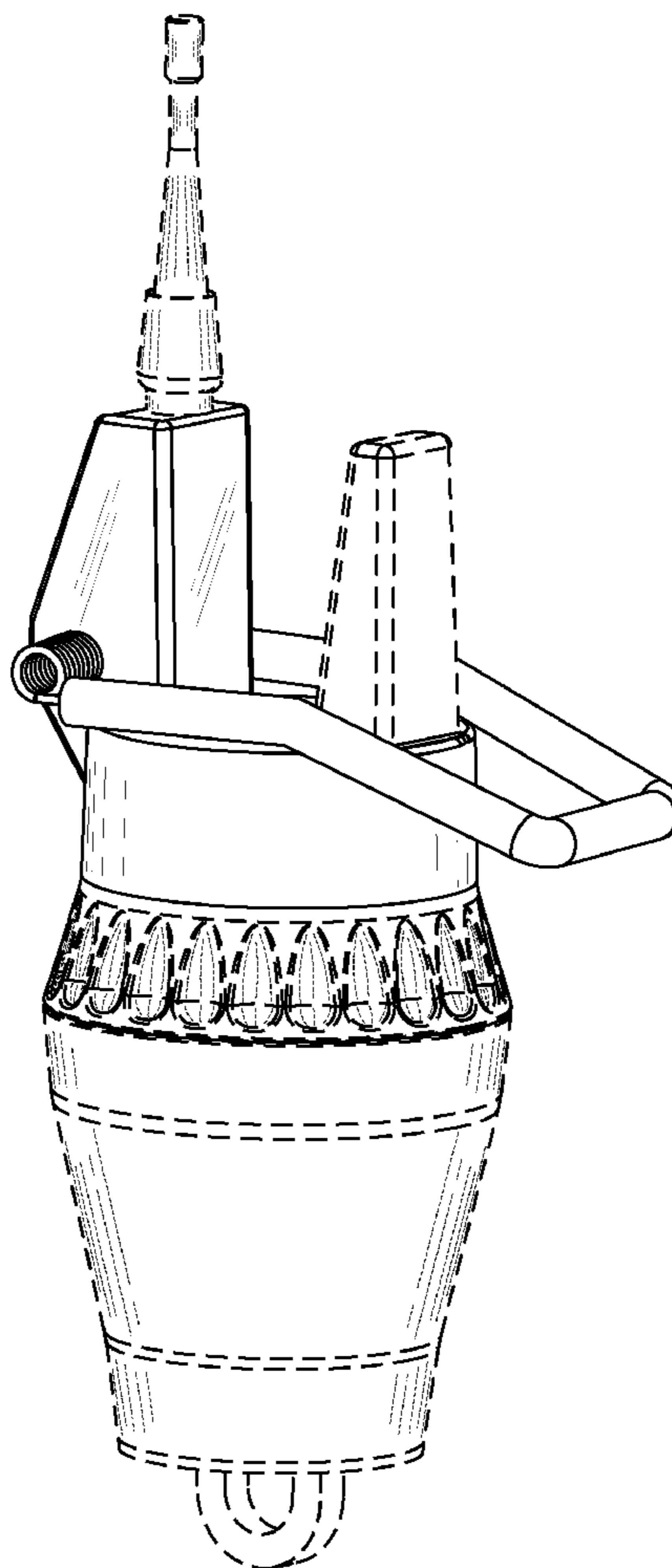
FIG. 6 is a bottom view thereof;

FIG. 7 is a perspective view thereof; and,

FIG. 8 is a perspective view thereof.

The portions of the drawings shown in broken lines form no part of the claimed design.

**1 Claim, 7 Drawing Sheets**



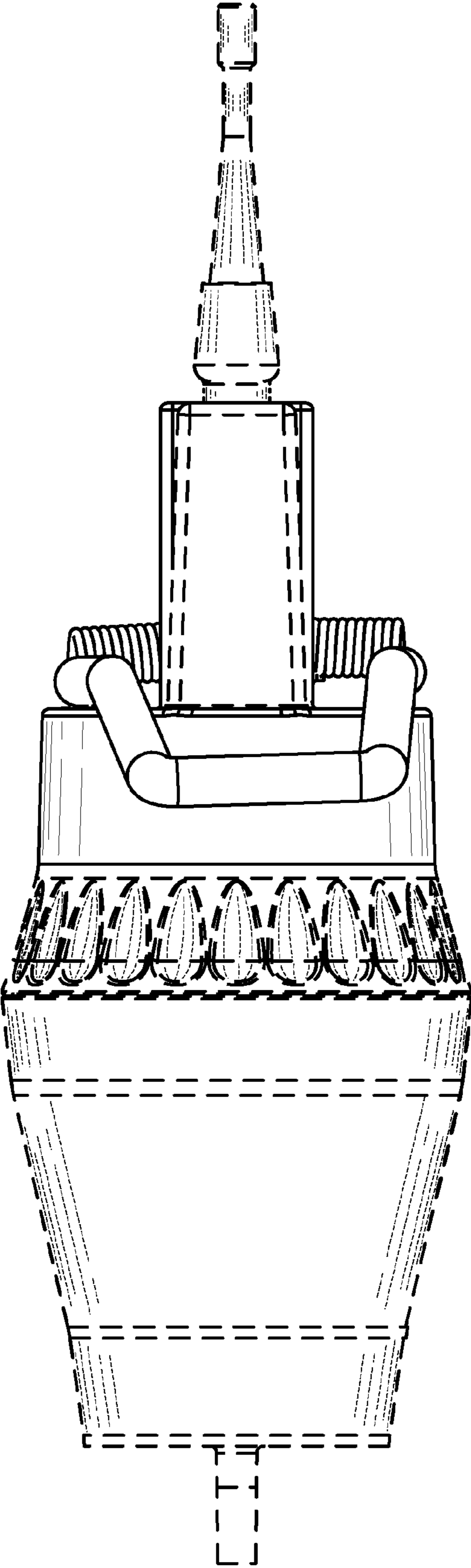


FIGURE 1

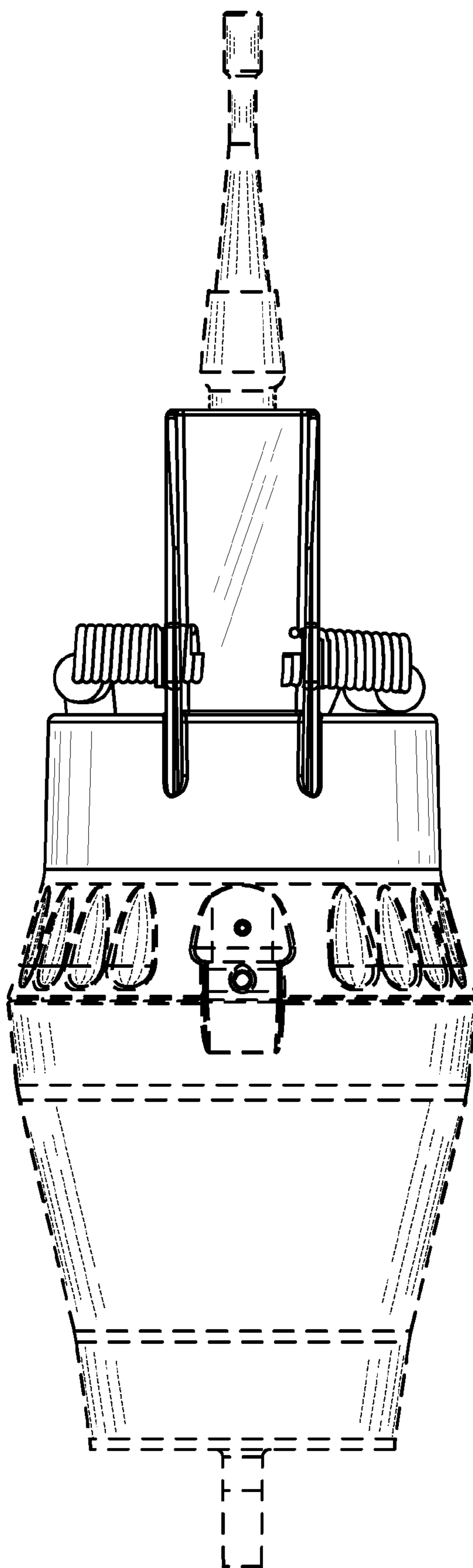


FIGURE 2

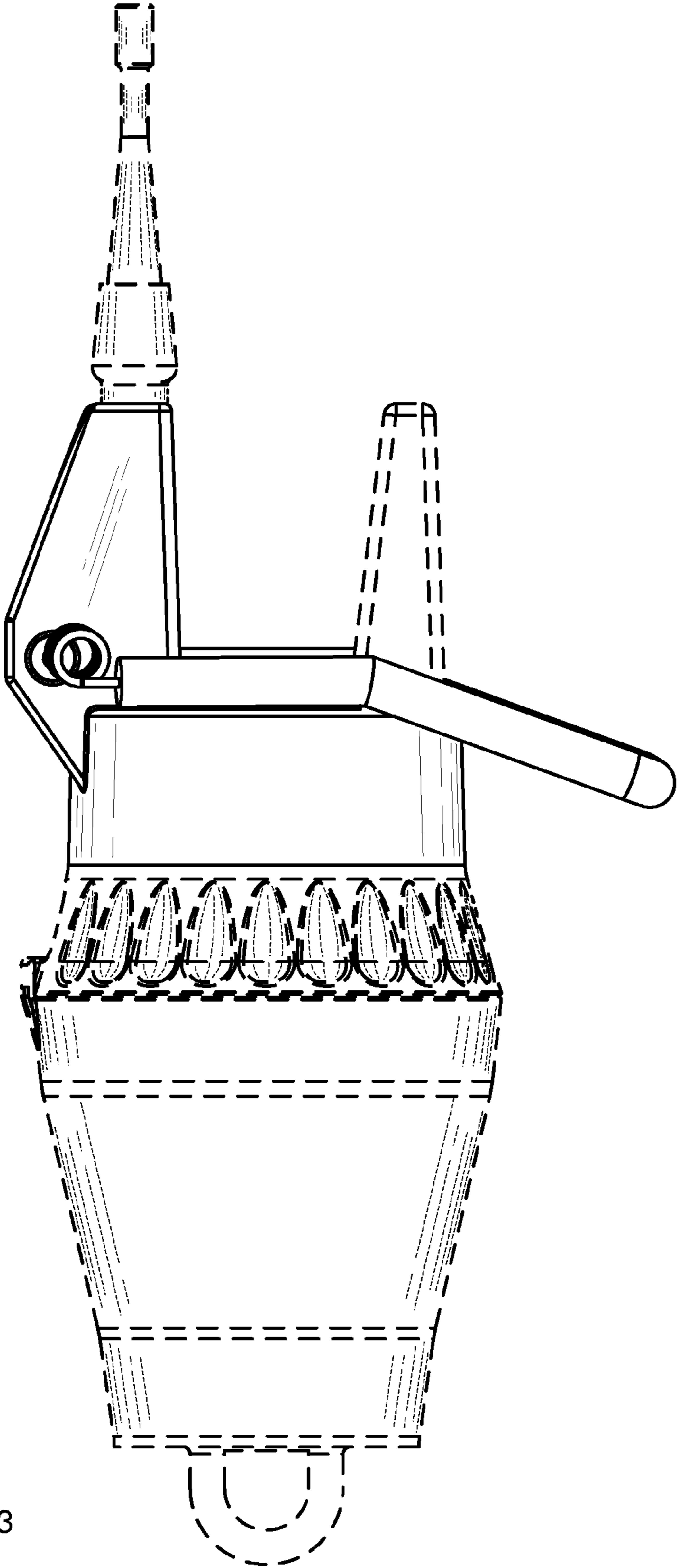


FIGURE 3

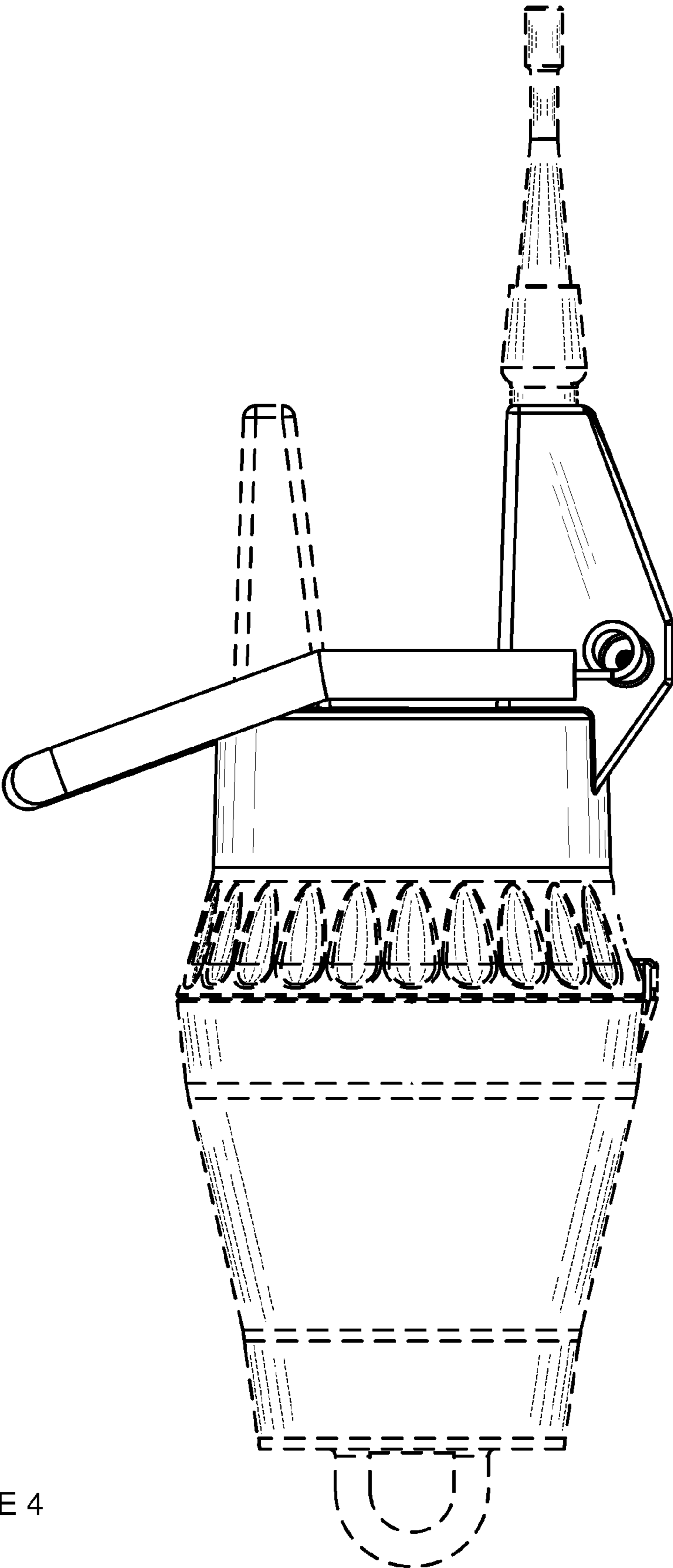


FIGURE 4

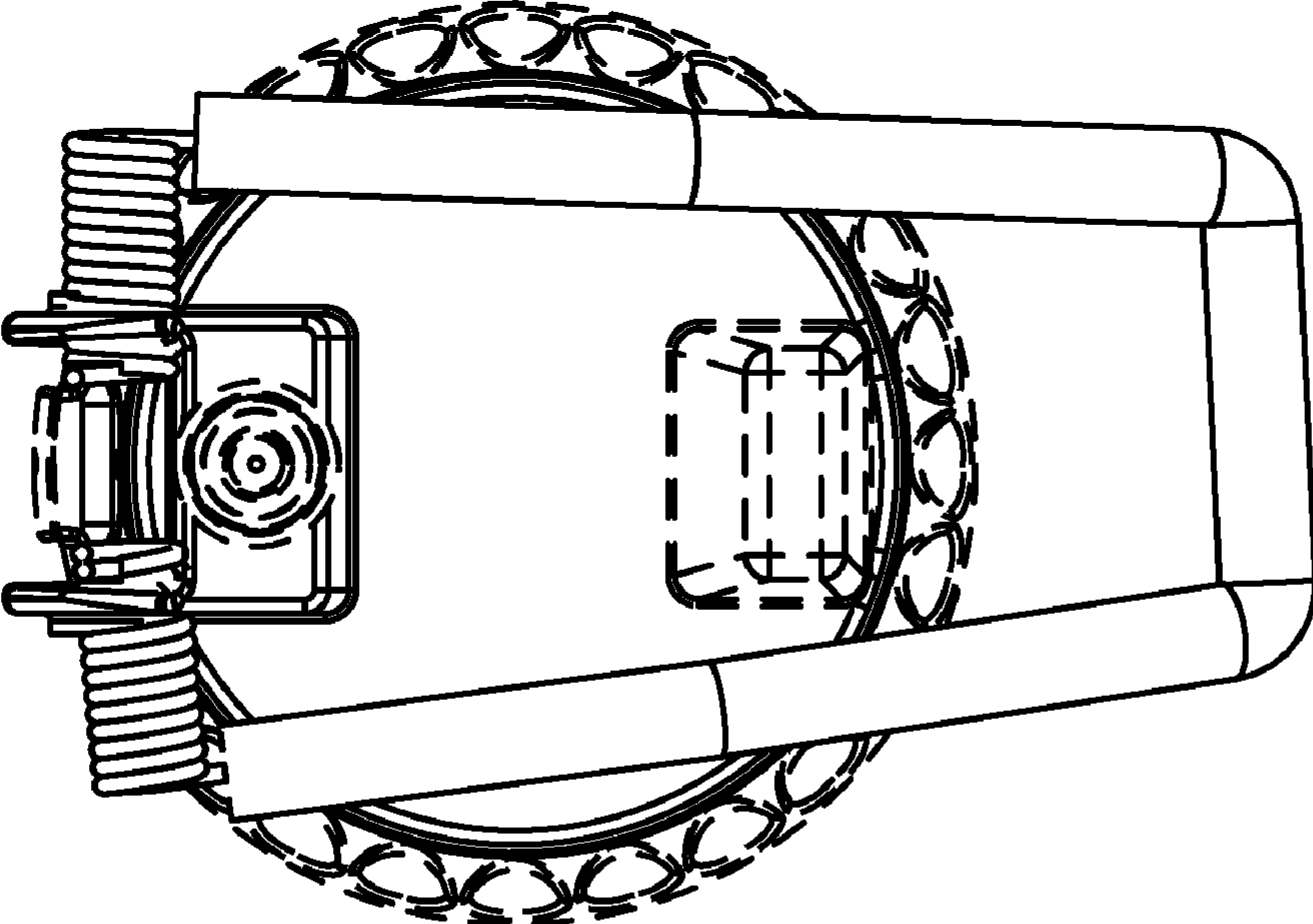


FIGURE 5

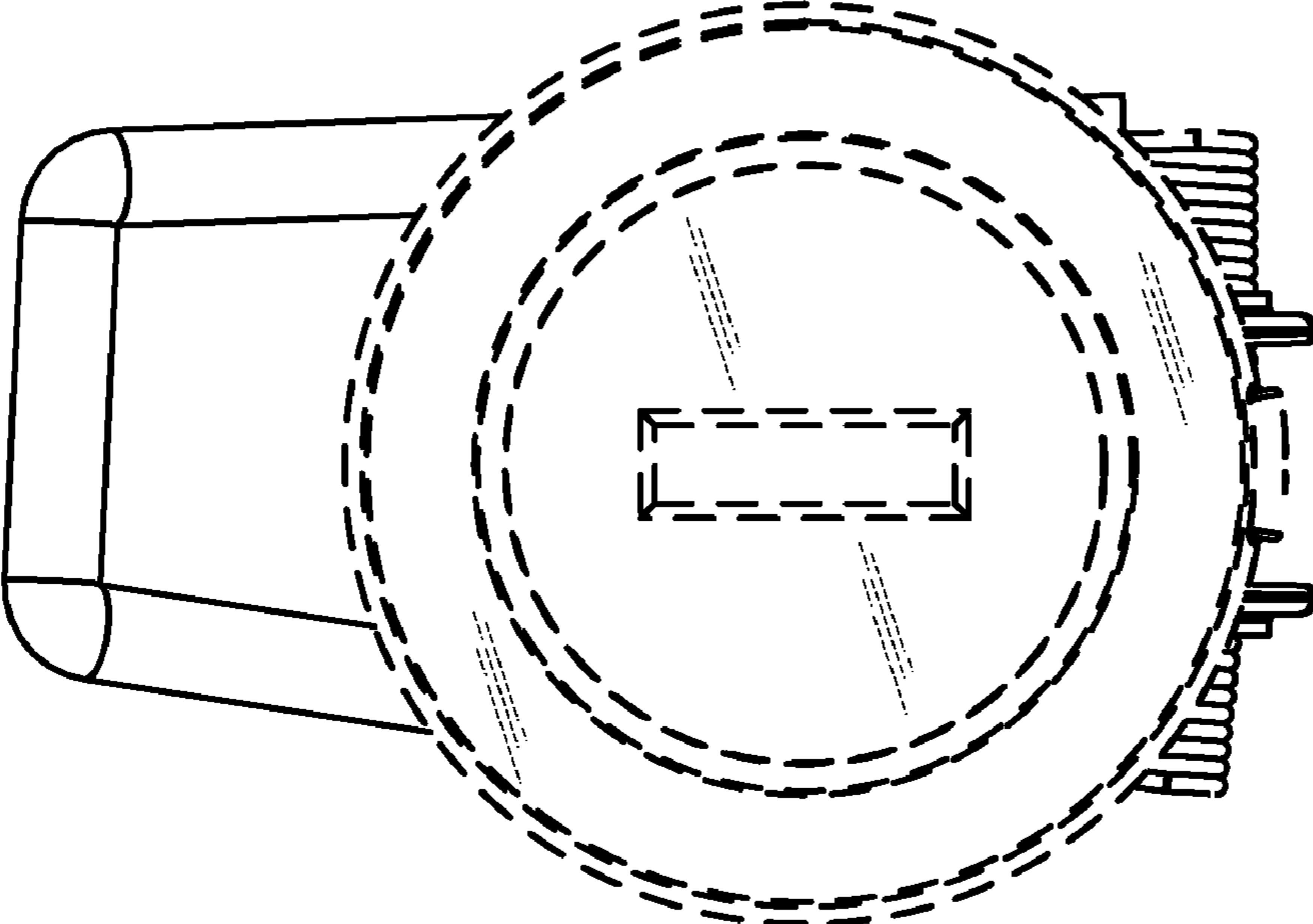


FIGURE 6



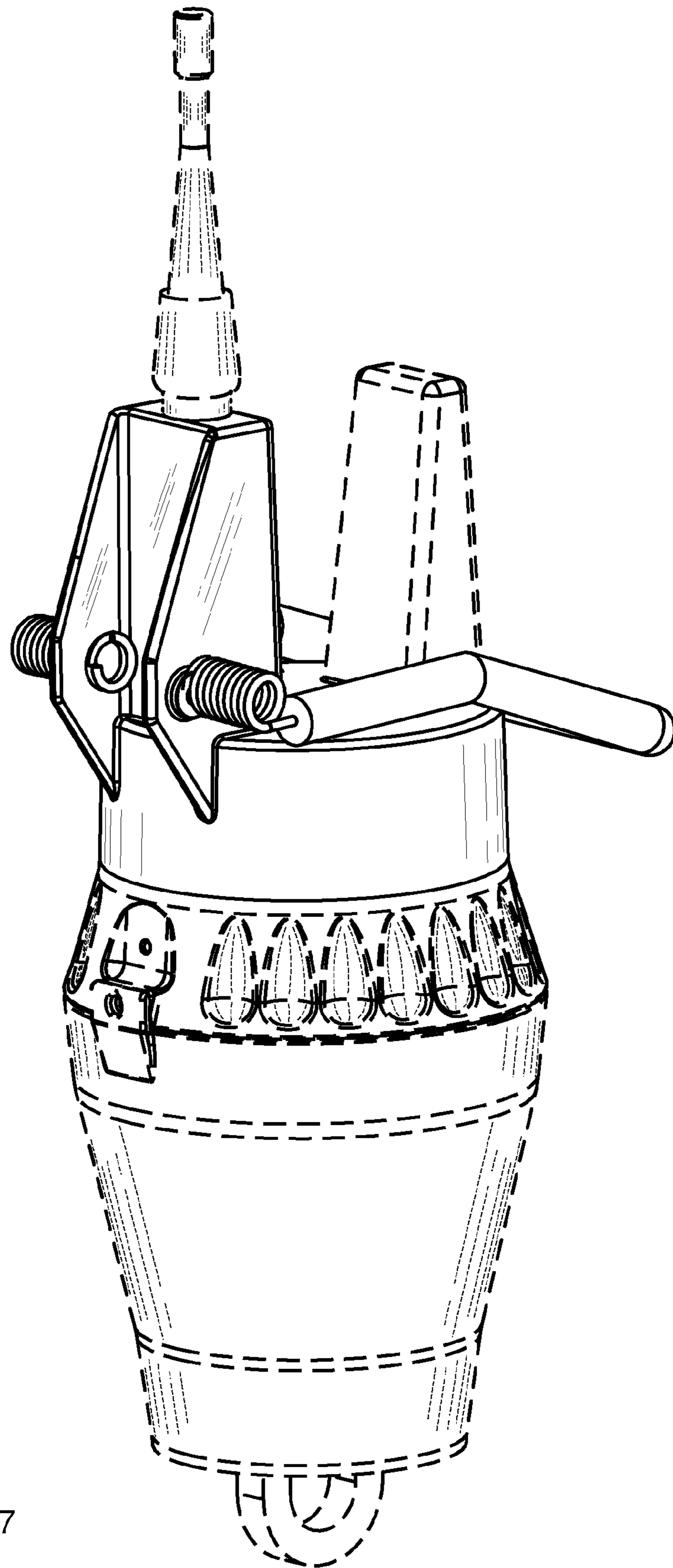


FIGURE 7

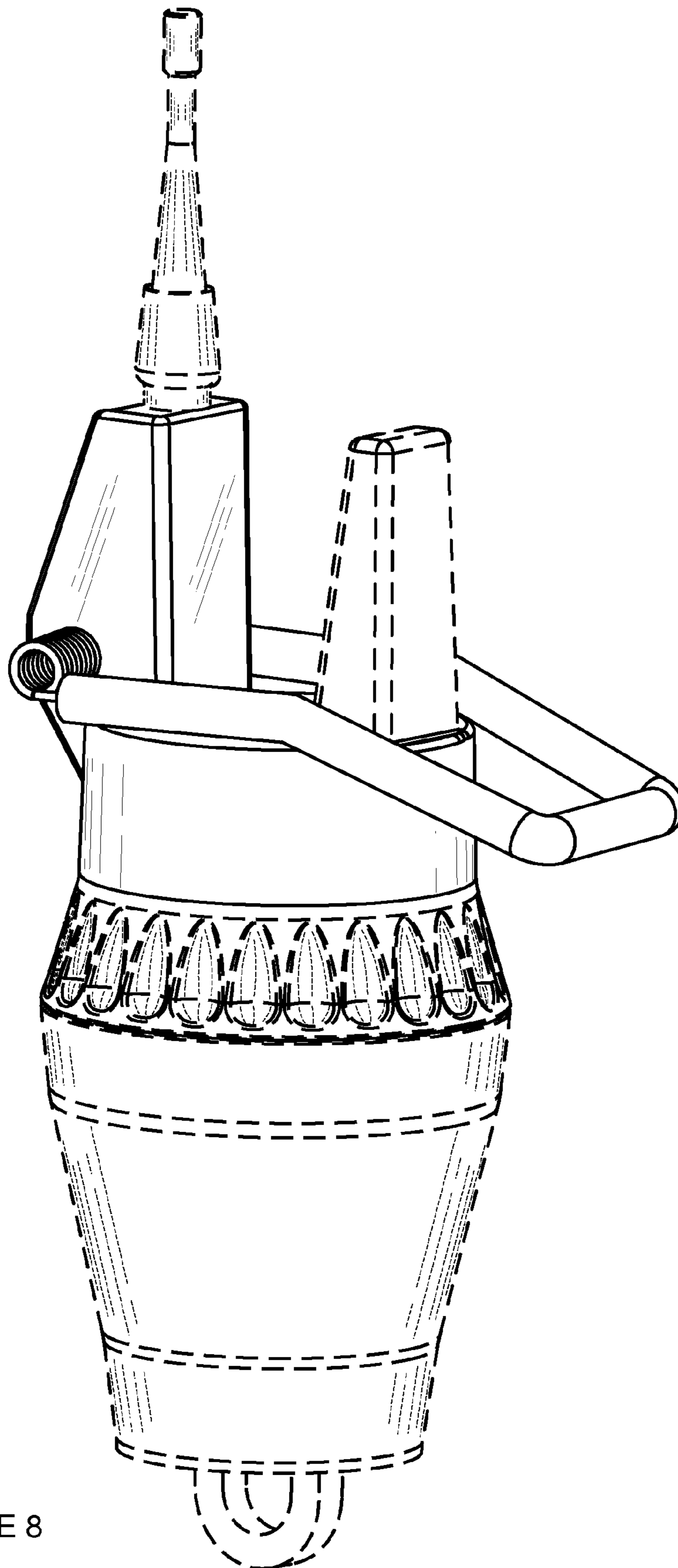


FIGURE 8