



US00D634222S

(12) **United States Design Patent**
Rauch

(10) **Patent No.:** **US D634,222 S**

(45) **Date of Patent:** **** Mar. 15, 2011**

(54) **POWER LINE SENSOR**

(56) **References Cited**

(75) Inventor: **Joseph Robert Rauch**, Cary, IL (US)

U.S. PATENT DOCUMENTS

D242,776 S * 12/1976 Jakobsen D10/75

(73) Assignee: **Schweitzer Engineering Laboratories, Inc.**, Pullman, WA (US)

* cited by examiner

Primary Examiner — Antoine D Davis

(74) *Attorney, Agent, or Firm* — Richard M. Edge

(**) Term: **14 Years**

(57) **CLAIM**

The ornamental design for a power line sensor, substantially as shown and described.

(21) Appl. No.: **29/358,076**

DESCRIPTION

(22) Filed: **Mar. 22, 2010**

(51) **LOC (9) Cl.** **10-04**

FIG. 1 is a front elevation view of a point sensor;

FIG. 2 is a back elevation view thereof;

(52) **U.S. Cl.** **D10/75**

FIG. 3 is a left-side view thereof;

FIG. 4 is a right-side view thereof;

(58) **Field of Classification Search** D10/75,

FIG. 5 is a top view thereof;

FIG. 6 is a bottom view thereof;

D10/80; 340/870.02; 359/2; 370/311, 329,

FIG. 7 is a perspective view thereof; and,

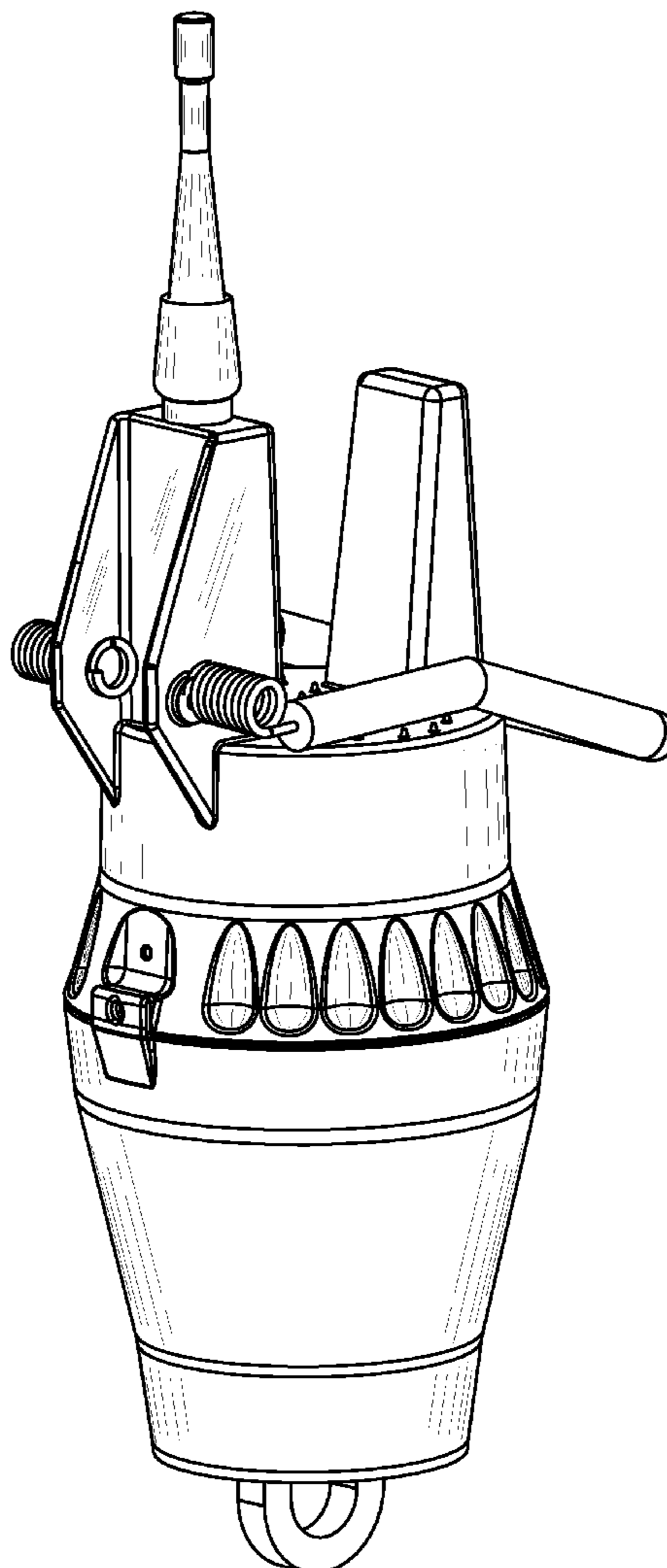
370/389, 406, 458; 709/224, 249; 714/31,

FIG. 8 is a perspective view thereof.

714/46, 57

See application file for complete search history.

1 Claim, 7 Drawing Sheets



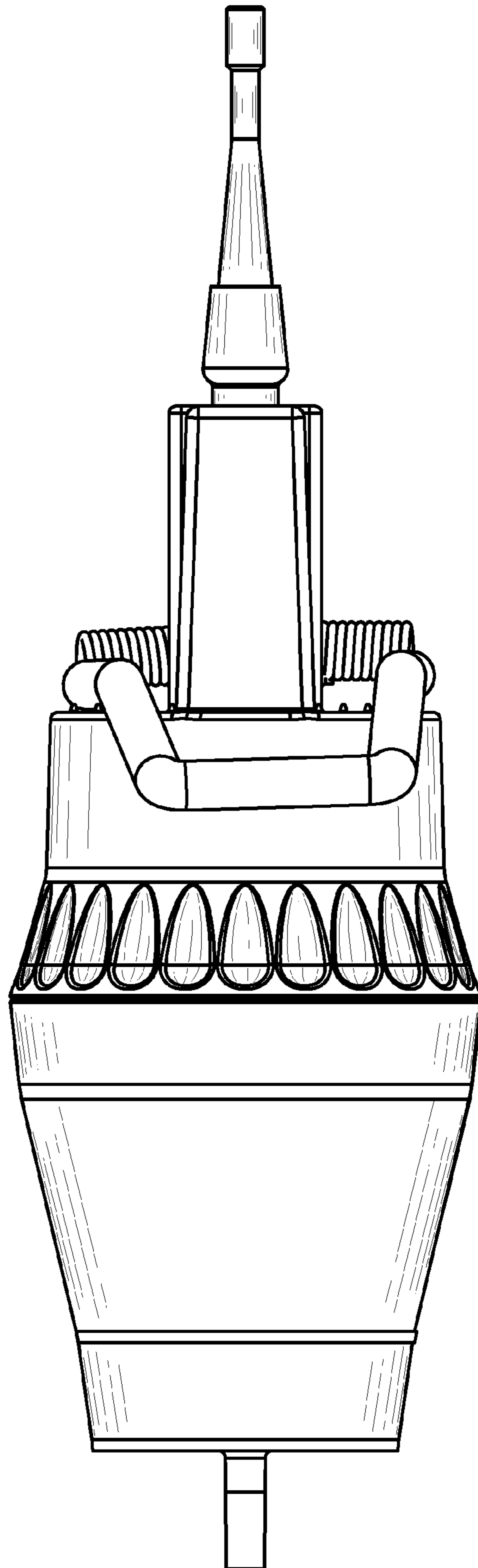


FIGURE 1

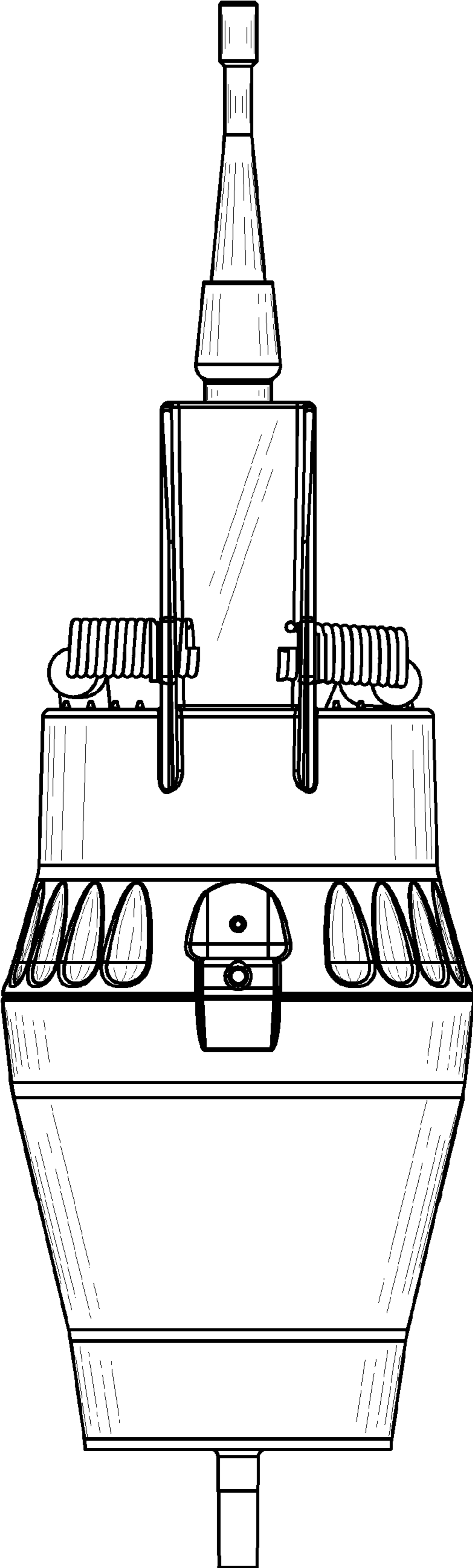


FIGURE 2

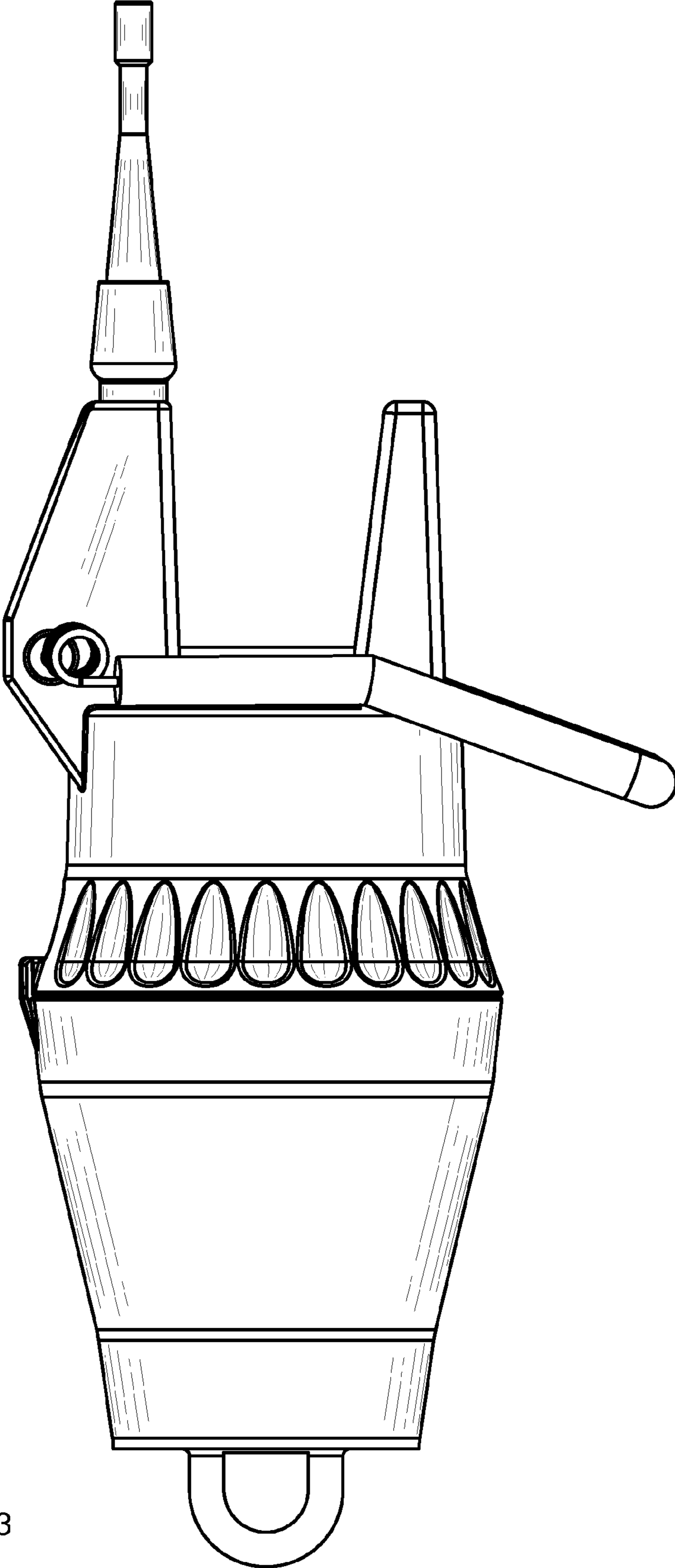


FIGURE 3

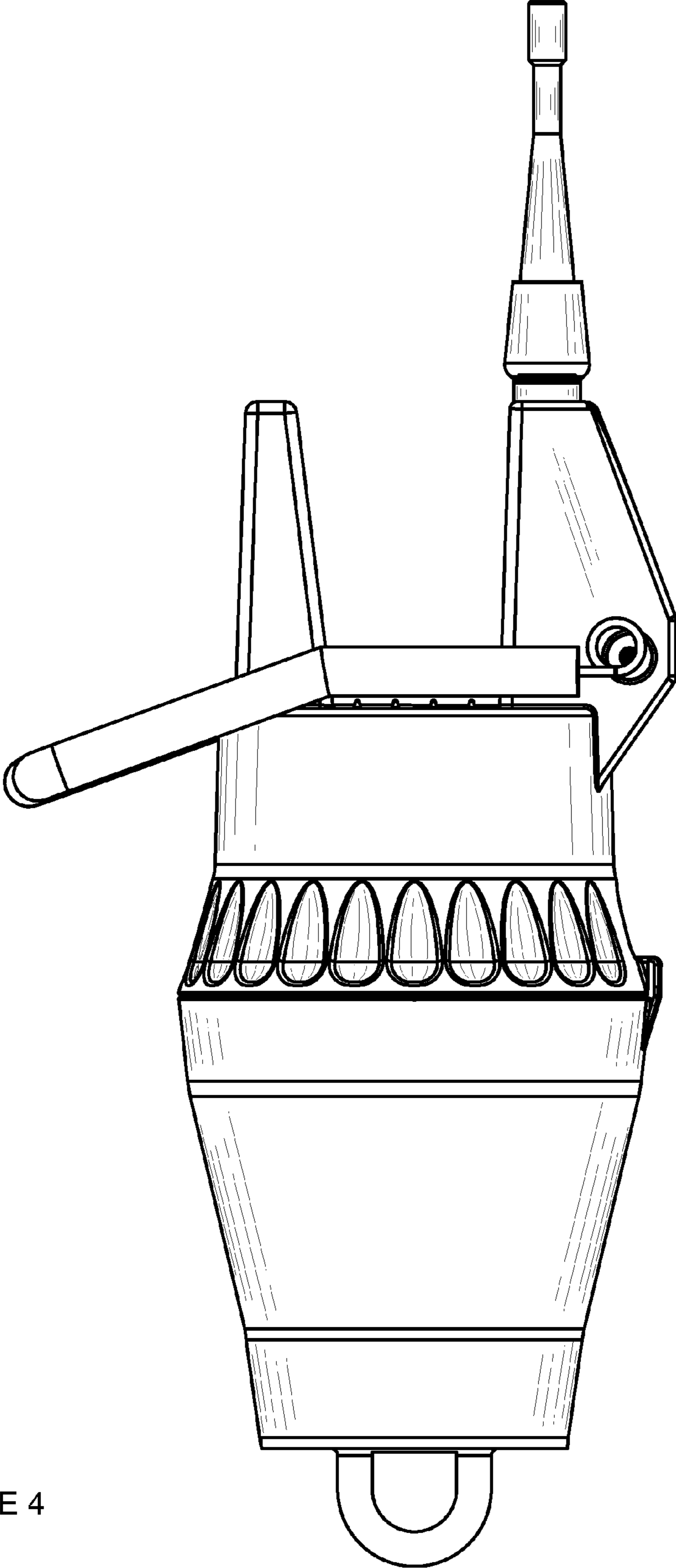


FIGURE 4

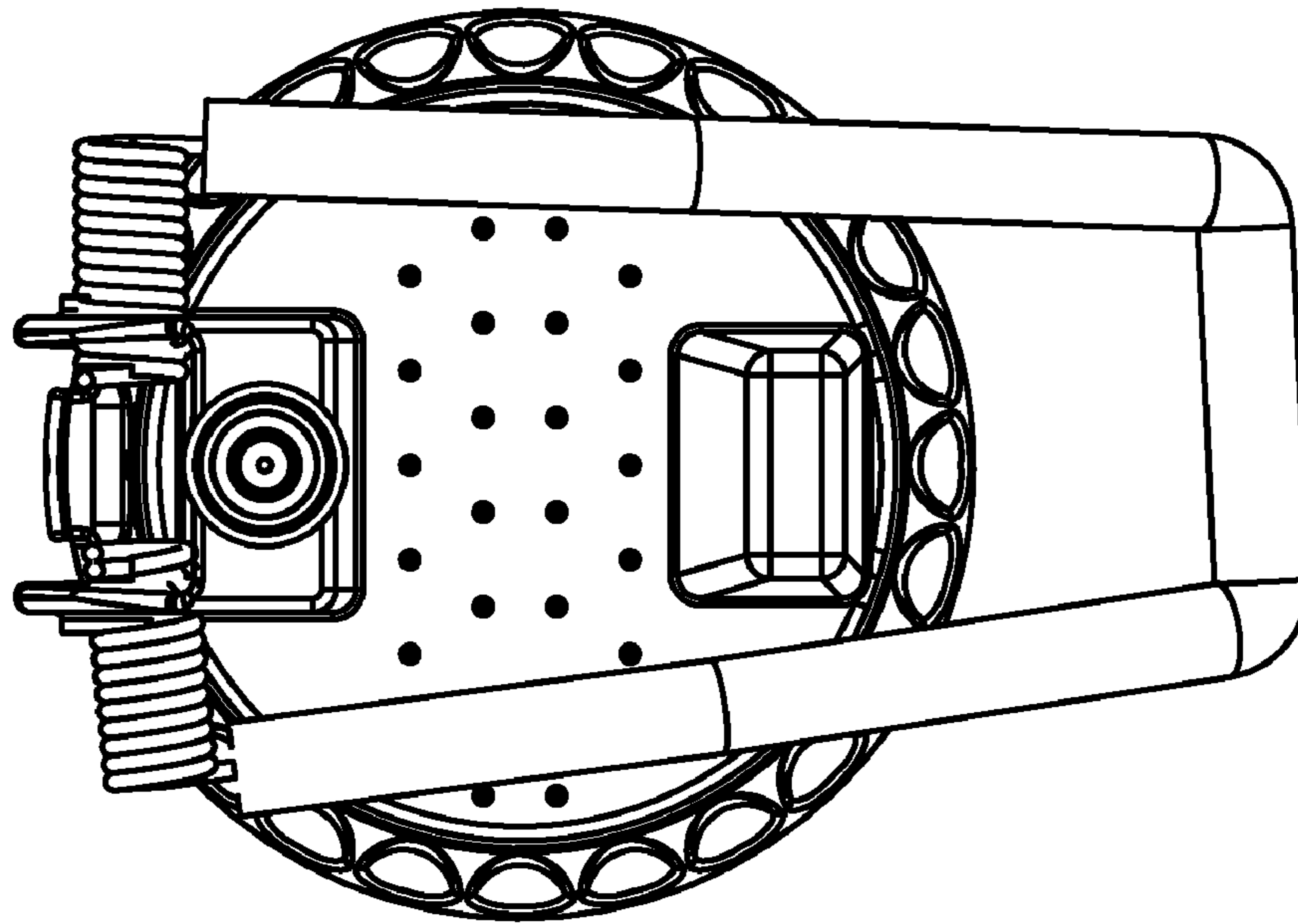


FIGURE 5

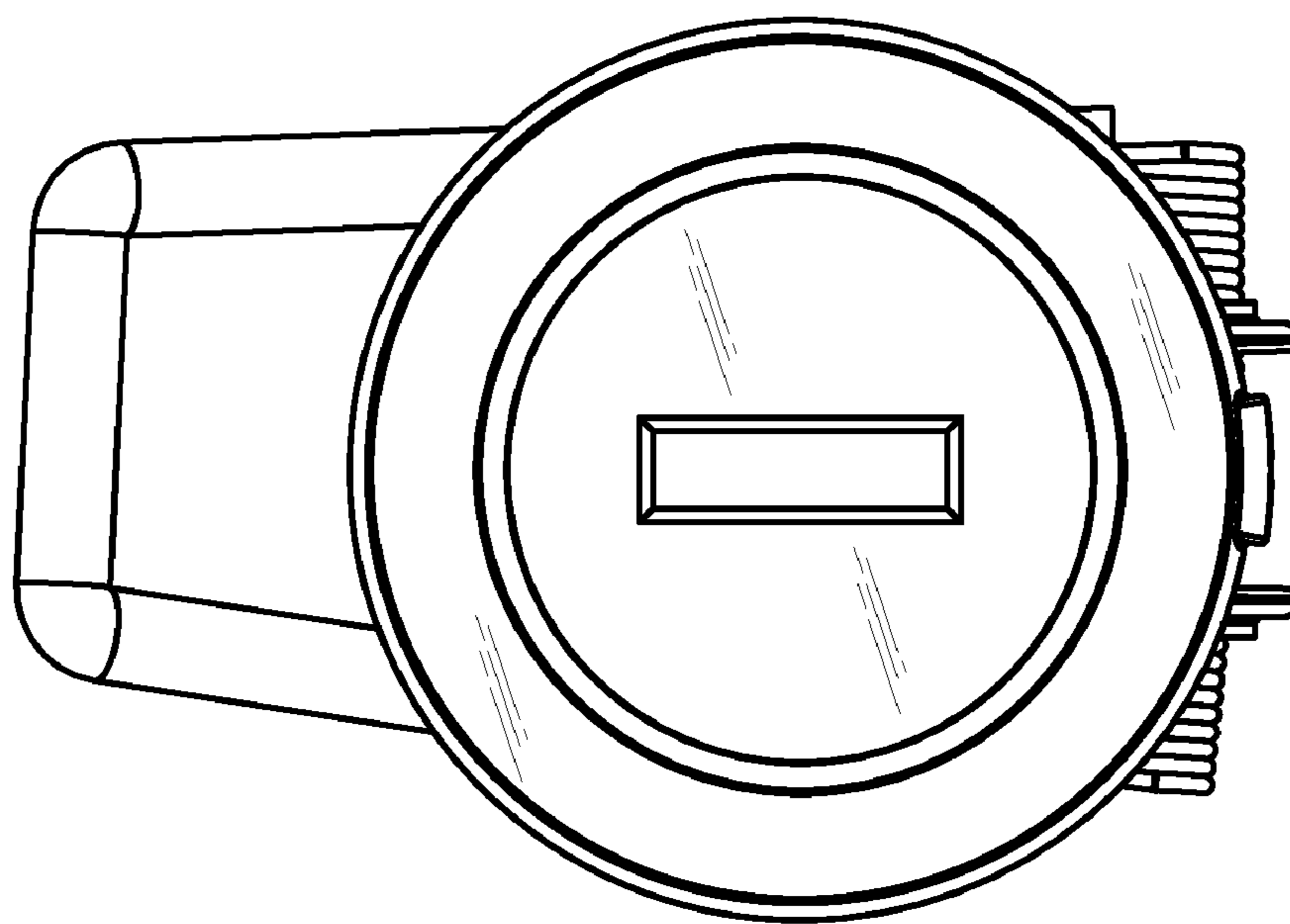


FIGURE 6

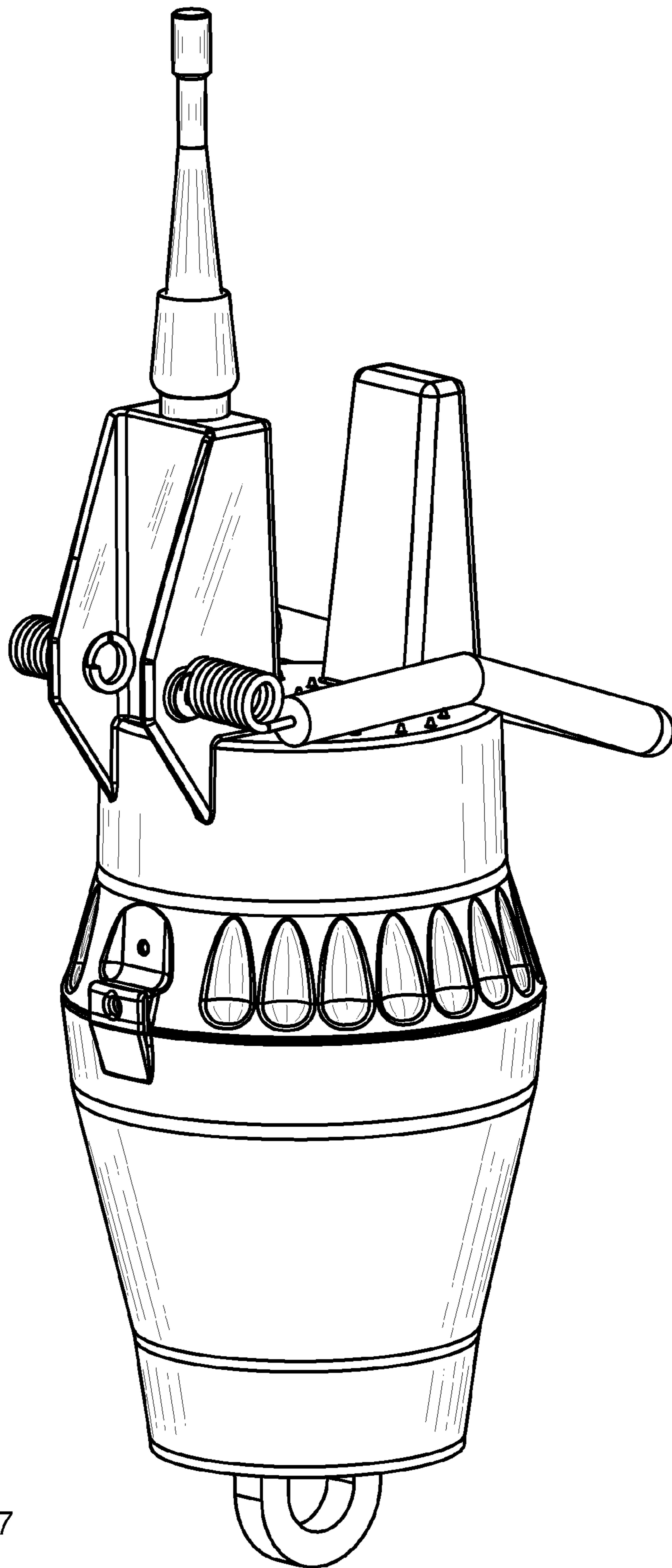


FIGURE 7

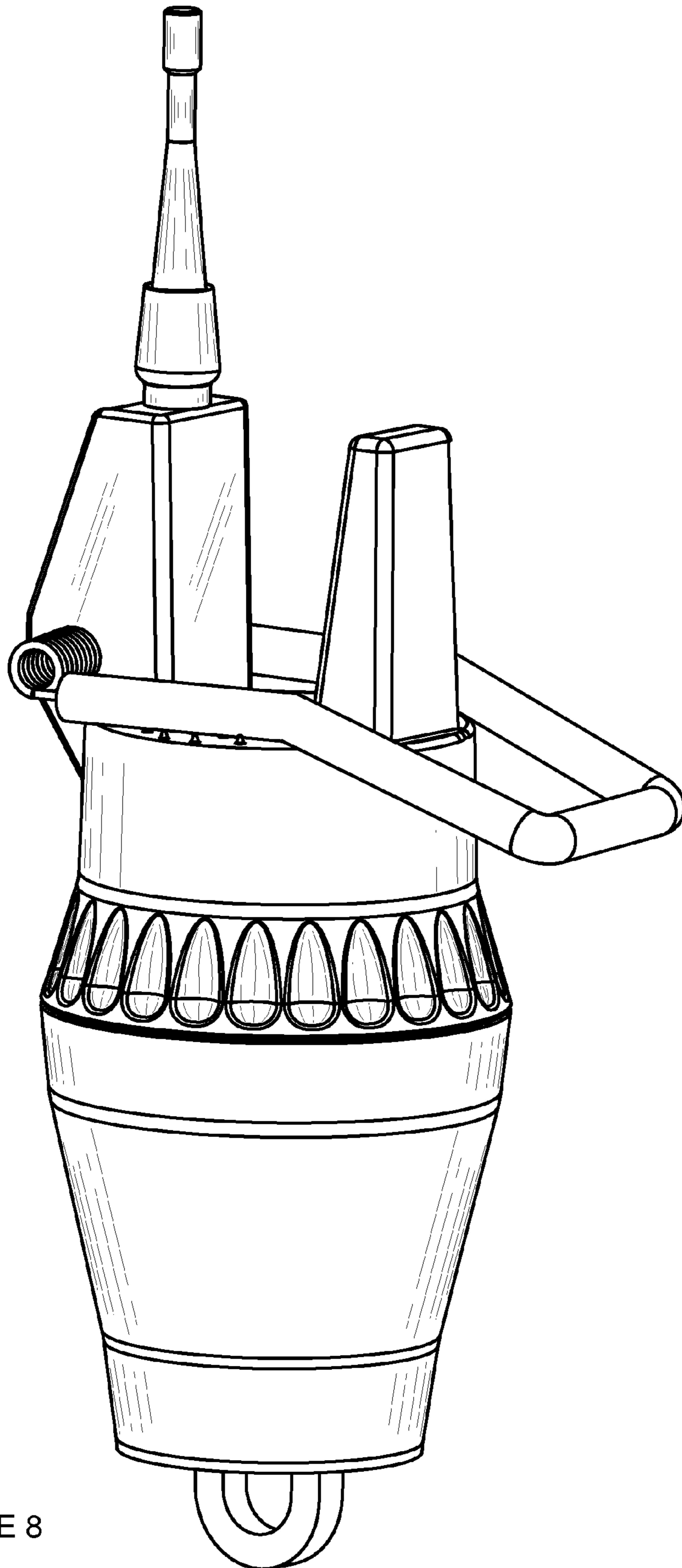


FIGURE 8