



US00D634221S

(12) **United States Design Patent**
Wojciechowski et al.

(10) **Patent No.:** **US D634,221 S**
(45) **Date of Patent:** **** Mar. 15, 2011**

- (54) **LEVEL**
- (75) Inventors: **Timothy J. Wojciechowski**, Hubertus, WI (US); **William G. Johnson**, Mequon, WI (US); **Robert A. Johnson**, Mequon, WI (US)
- (73) Assignee: **Johnson Level + Tool Mfg. Co., Inc.**, Mequon, WI (US)
- (**) Term: **14 Years**
- (21) Appl. No.: **29/360,588**
- (22) Filed: **Apr. 28, 2010**
- (51) **LOC (9) Cl.** **10-04**
- (52) **U.S. Cl.** **D10/69**
- (58) **Field of Classification Search** D10/69;
33/365, 366.11-366.27, 367-391
See application file for complete search history.

4,876,798 A	10/1989	Zimmerman
5,103,569 A	4/1992	Leatherwood
5,105,549 A	4/1992	Johnson
D332,226 S	1/1993	Hutchins et al.
D355,134 S	2/1995	Kennedy
D364,104 S	11/1995	Johnson
D371,309 S	7/1996	Webb
D389,758 S	1/1998	Motamed
5,755,037 A	5/1998	Stevens
D412,857 S	8/1999	Howard et al.
D438,477 S	3/2001	Douglas
6,360,446 B1	3/2002	Bijawat et al.
D469,370 S	1/2003	Gruetzmacher et al.
D493,737 S	8/2004	Nickel
D503,636 S *	4/2005	Kim D10/69
D521,882 S	5/2006	Kim
D536,999 S	2/2007	Chen
D546,214 S *	7/2007	Schwartz et al. D10/69
D563,808 S *	3/2008	Schwartz et al. D10/69

* cited by examiner

Primary Examiner—Antoine D Davis
(74) *Attorney, Agent, or Firm*—Boyle Fredrickson, S.C.

(56) **References Cited**
U.S. PATENT DOCUMENTS

1,061,638 A	5/1913	McGrath
2,541,880 A	2/1951	McMillan et al.
D168,401 S	12/1952	Harris
2,634,509 A	4/1953	Roberts
2,789,363 A	4/1957	Miley
2,813,349 A	11/1957	Harris
2,944,144 A	7/1960	Naylor
3,166,855 A	1/1965	Erritt
3,180,035 A	4/1965	Olexson et al.
D224,663 S	8/1972	de Jong
D236,959 S	9/1975	Wright
4,407,075 A	10/1983	MacDermott et al.
4,506,450 A	3/1985	Fleming et al.
D280,185 S	8/1985	Wright
4,829,676 A	5/1989	Waldron
D301,553 S	6/1989	Makofsky et al.

(57) **CLAIM**

The ornamental design of a level, as shown and described.

DESCRIPTION

FIG. 1 is an isometric view illustrating a level in accordance with our new design, wherein the portions in phantom form no part of the claimed design and wherein the break lines indicate indeterminate length;

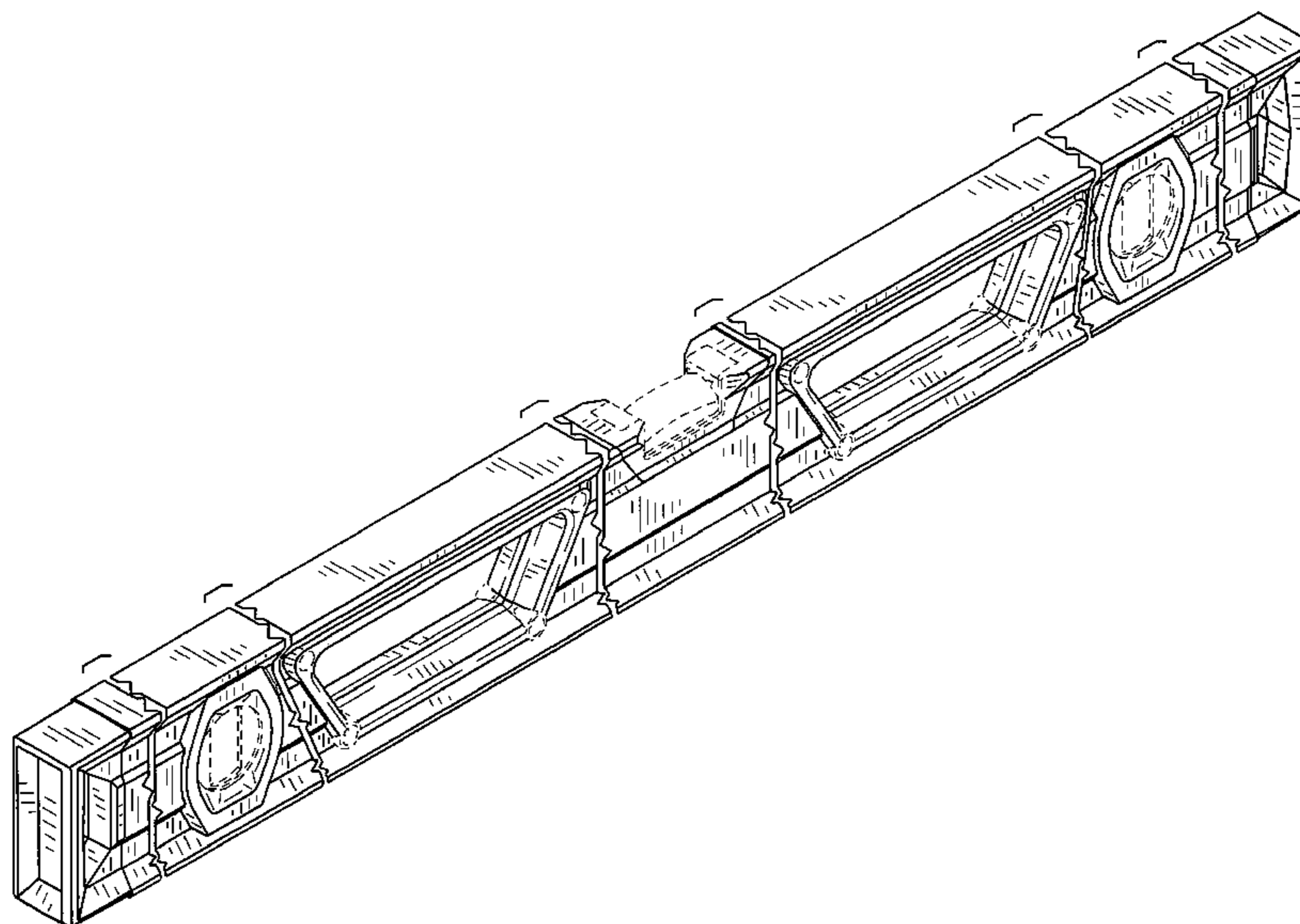
FIGS. 2 and 3 are side elevation views thereof;

FIG. 4 is a top plan view thereof;

FIG. 5 is a bottom plan view thereof; and,

FIG. 6 is one end elevation view thereof, wherein the opposite end elevation view is a mirror image.

1 Claim, 3 Drawing Sheets



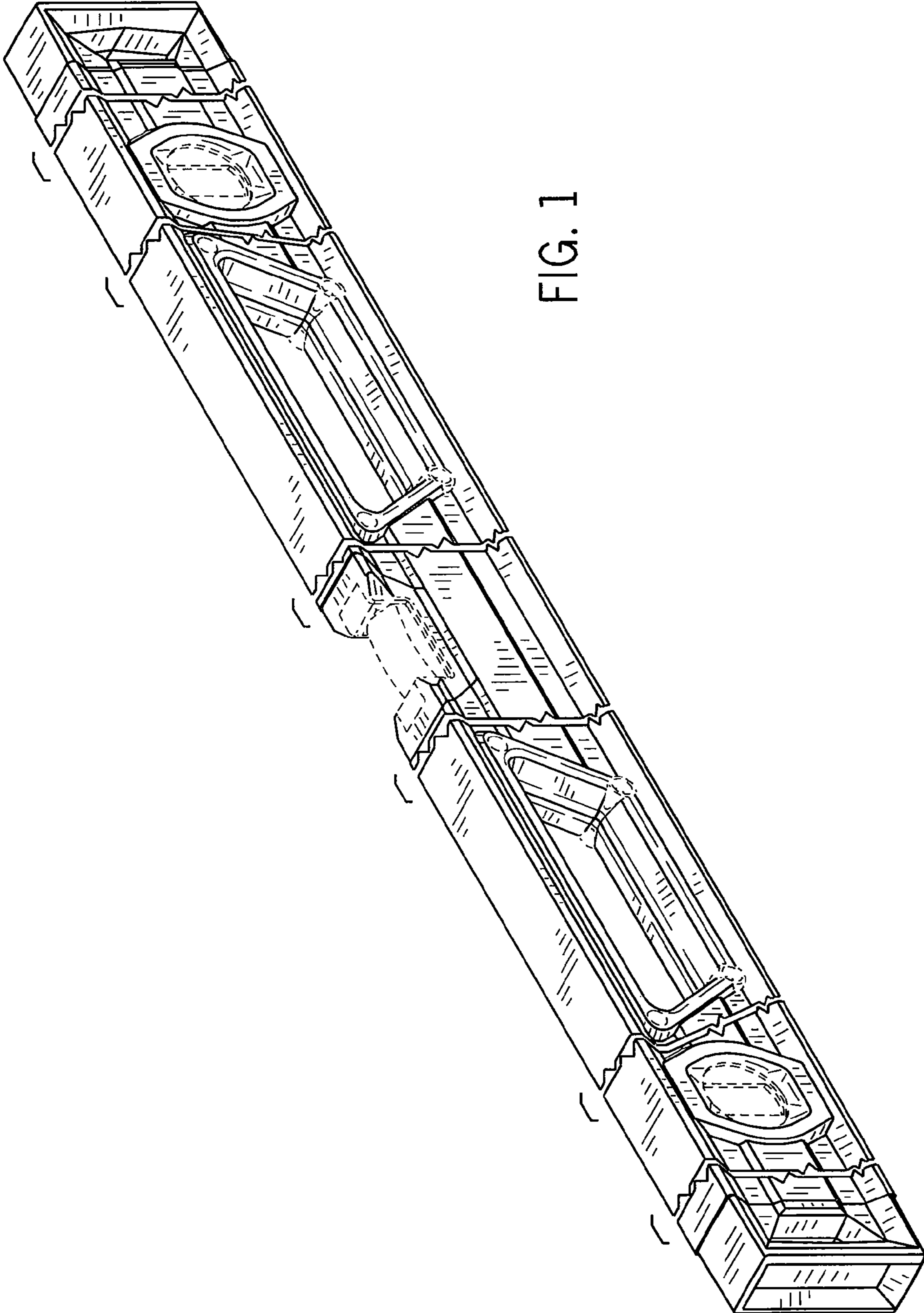


FIG. 1

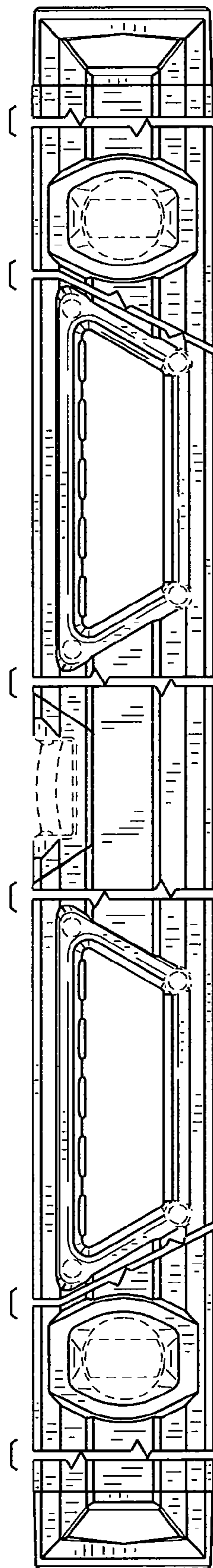


FIG. 2

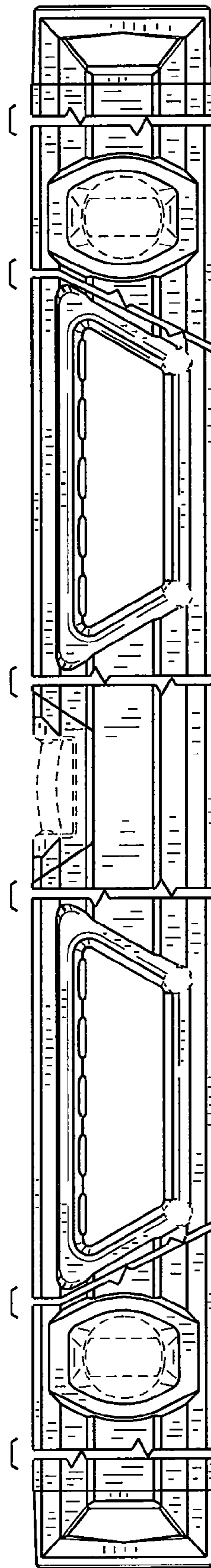


FIG. 3

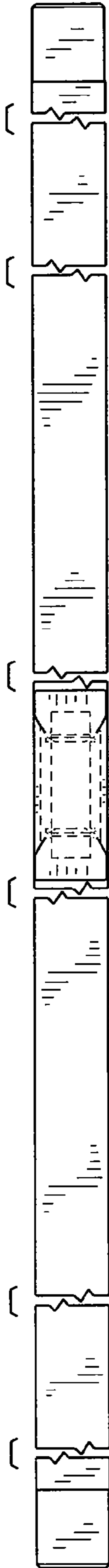


FIG. 4

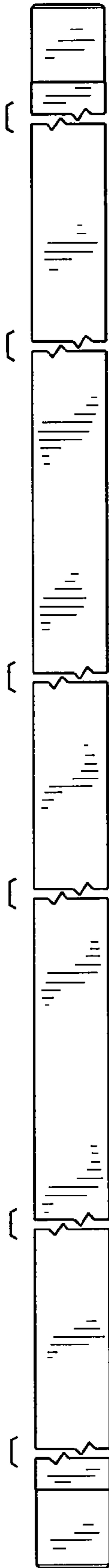


FIG. 5

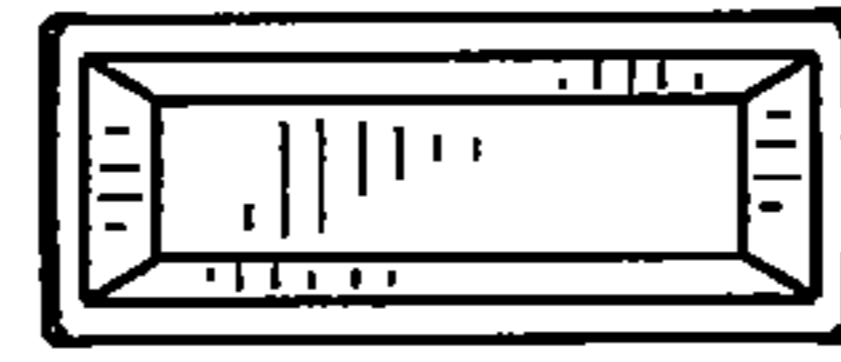


FIG. 6