



US00D634219S

(12) **United States Design Patent**
Boutwell et al.

(10) **Patent No.:** **US D634,219 S**
(45) **Date of Patent:** **** Mar. 15, 2011**

(54) **ICE FISHING DEPTH FINDER**

(75) Inventors: **Scot Boutwell**, Trego, WI (US); **Mitch Arnold**, Spicer, MN (US)

(73) Assignee: **A & B Outdoors, LLC**, Spicer, MN (US)

(**) Term: **14 Years**

(21) Appl. No.: **29/365,576**

(22) Filed: **Jul. 12, 2010**

Related U.S. Application Data

(62) Division of application No. 29/351,726, filed on Dec. 10, 2009, now Pat. No. Des. 619,482.

(51) **LOC (9) Cl.** **10-04**

(52) **U.S. Cl.** **D10/65; D22/131**

(58) **Field of Classification Search** D10/65;
D22/131, 133; 43/2.22, 17.6, 42.23; 367/99,
367/107

See application file for complete search history.

(56) **References Cited**

U.S. PATENT DOCUMENTS

5,329,721 A 7/1994 Smith
6,791,902 B1 9/2004 Steiner et al.
D570,444 S 6/2008 Scott et al.
2008/0289241 A1* 11/2008 Hawryshyn et al. 43/17.6
* cited by examiner

Primary Examiner — Antoine D Davis

(74) *Attorney, Agent, or Firm* — Dicke, Billig & Czaja, PLLC

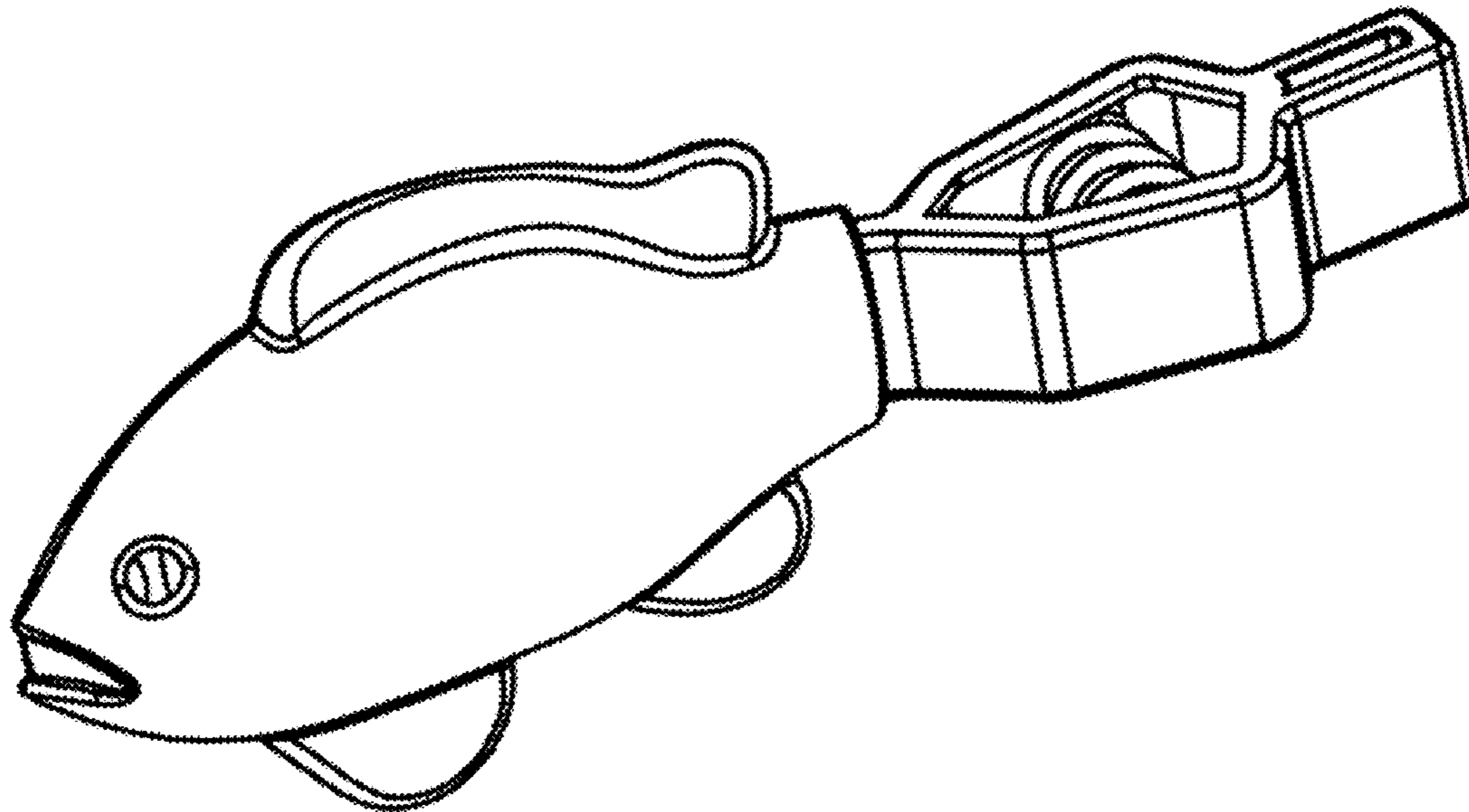
(57) **CLAIM**

The ornamental design for an ice fishing depth finder, as shown and described herein.

DESCRIPTION

FIG. 1 is a perspective view of the ice fishing depth finder according to an embodiment of the invention. FIG. 2 is a first side view of the ice fishing depth finder. FIG. 3 is a second side view of the ice fishing depth finder. FIG. 4 is a top view of the ice fishing depth finder. FIG. 5 is a bottom view of the ice fishing depth finder. FIG. 6 is a front view of the ice fishing depth finder; and, FIG. 7 is a back view of the ice fishing depth finder. The broken line showing of the clip is included for the purpose of illustrating non-claimed subject matter and forms no part of the claimed design.

1 Claim, 2 Drawing Sheets



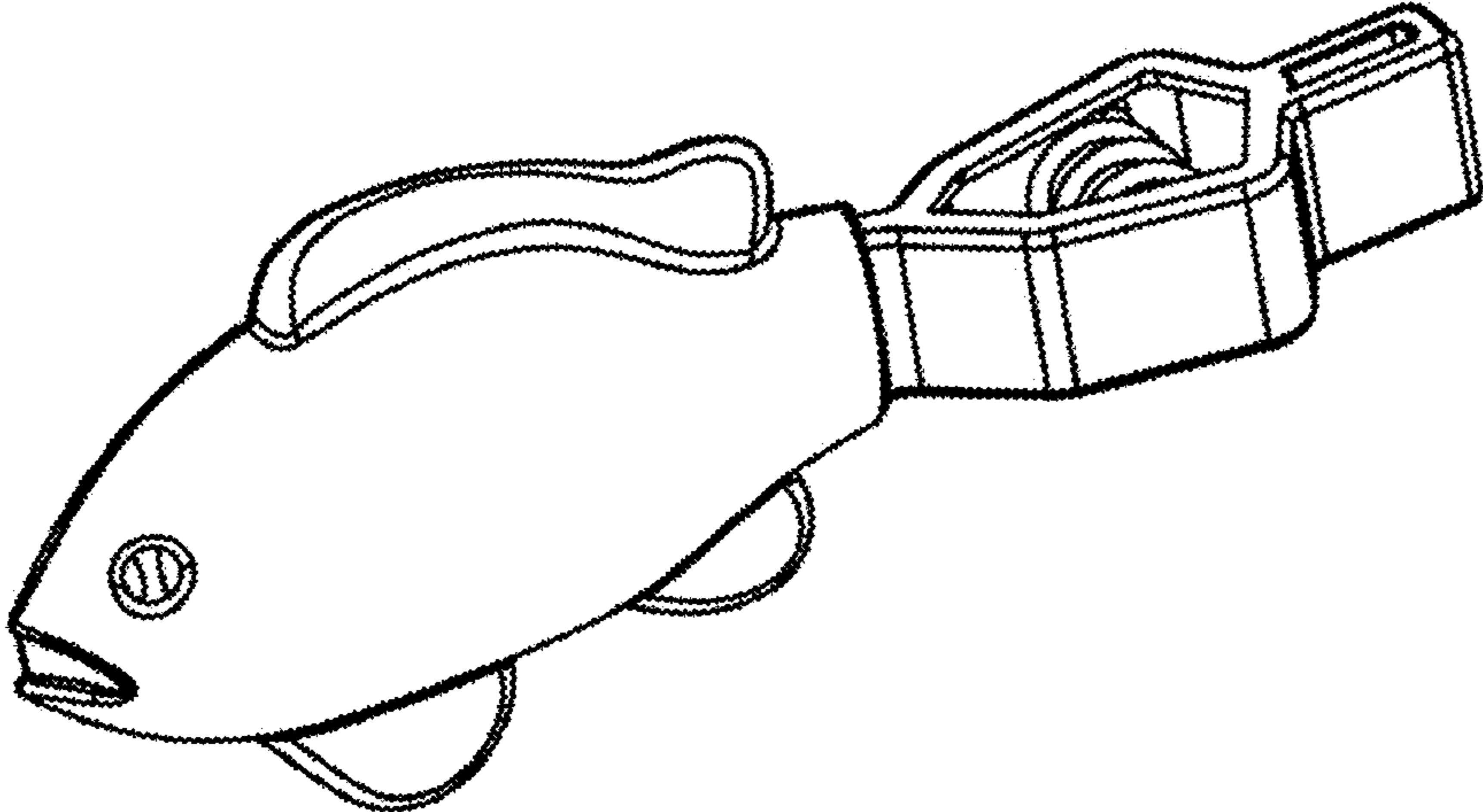


Fig. 1

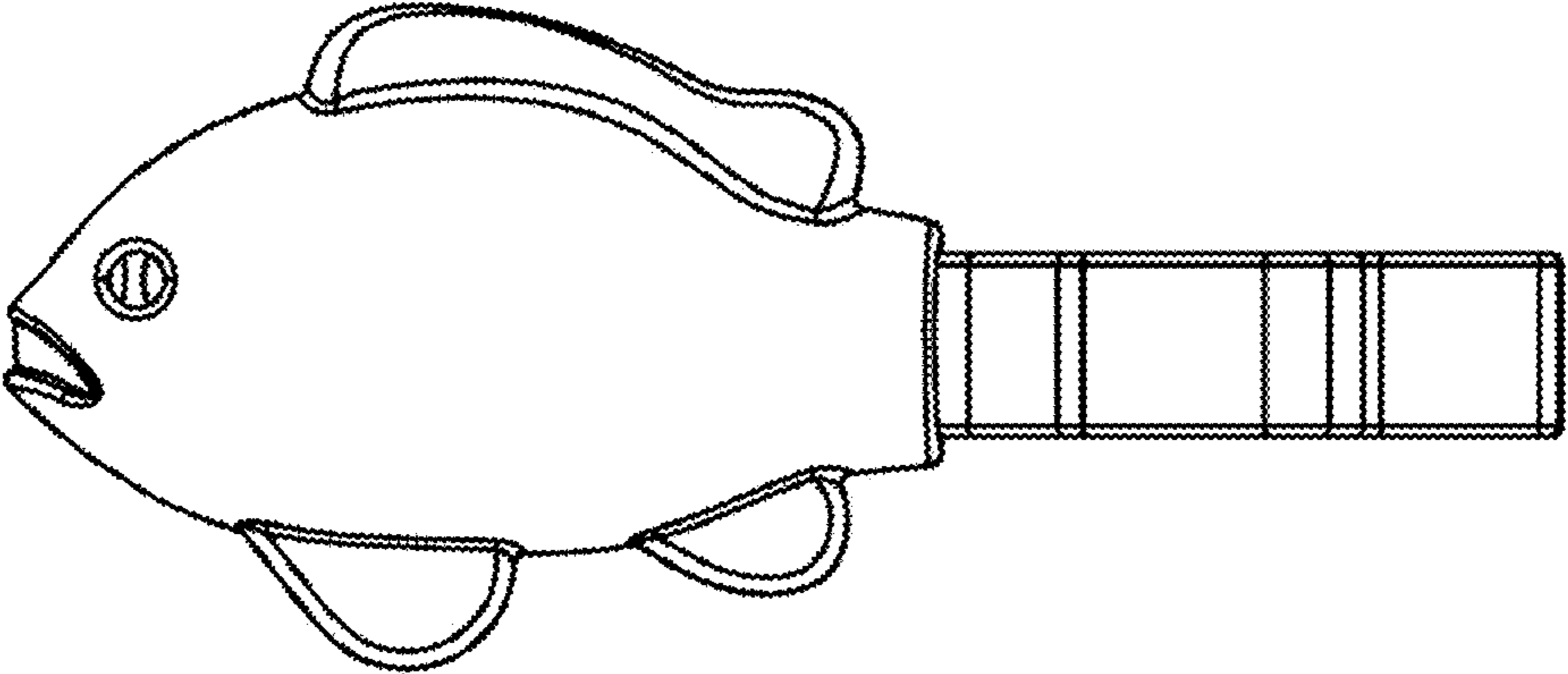


Fig. 2

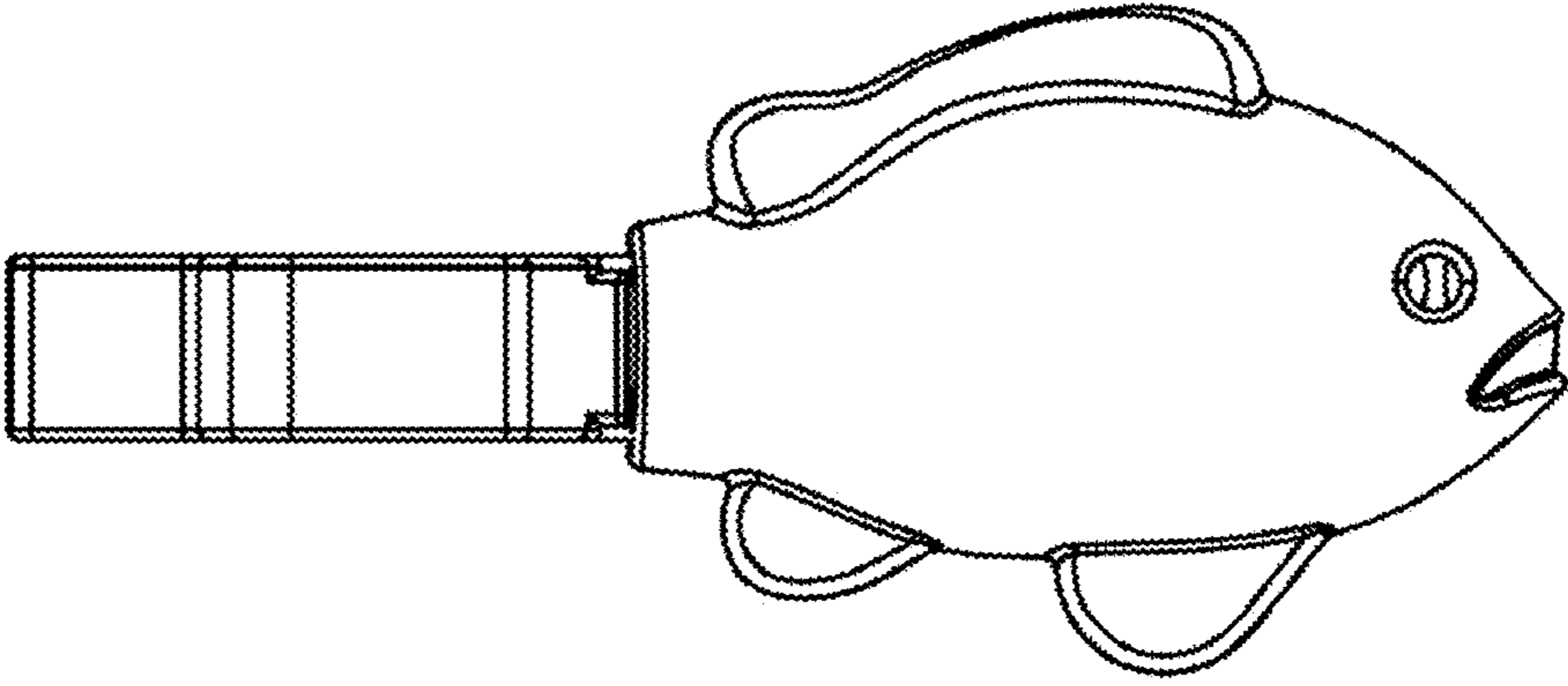


Fig. 3

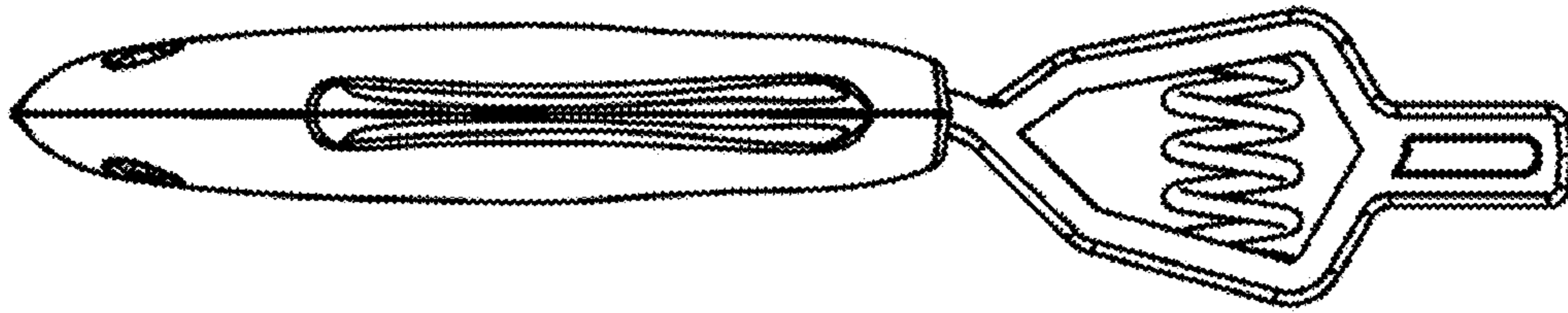


Fig. 4

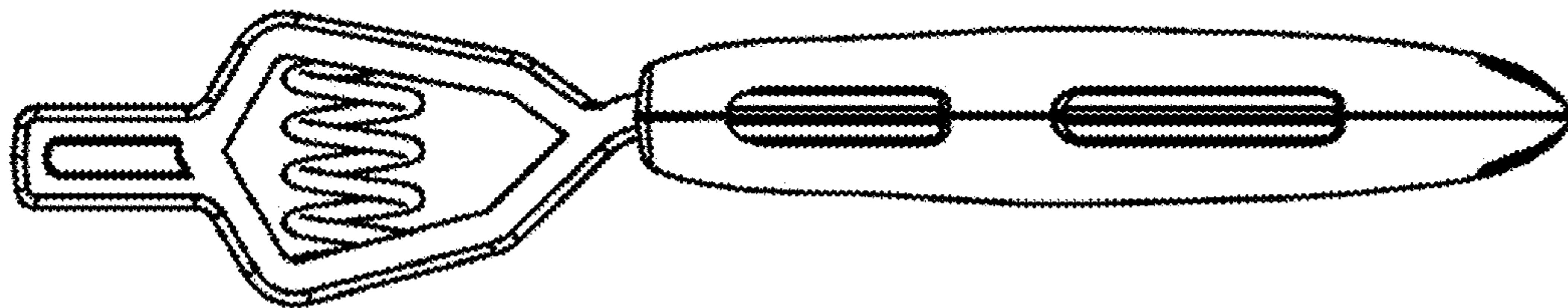


Fig. 5

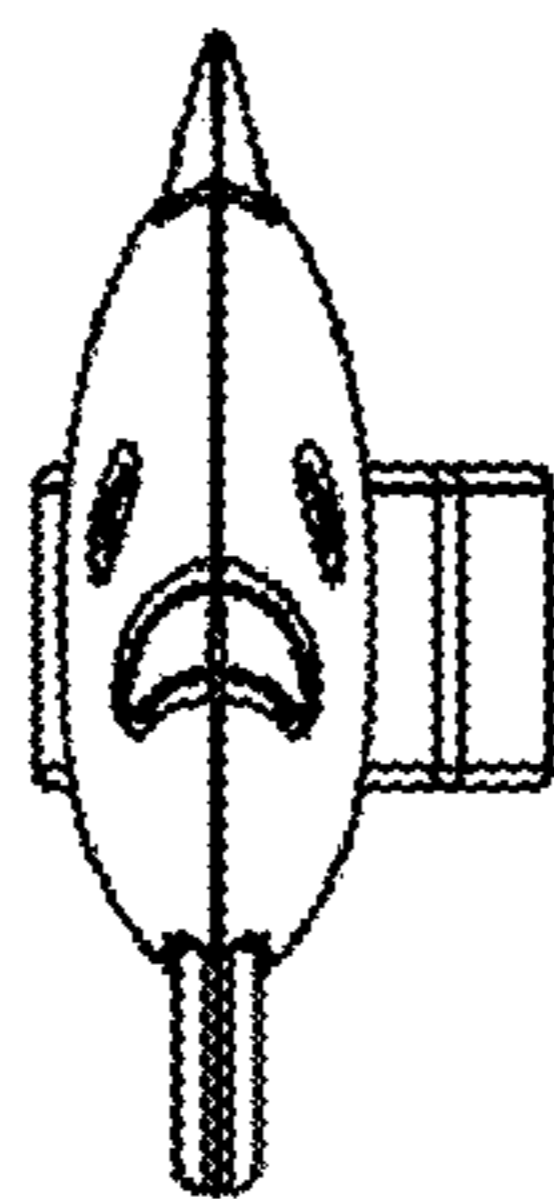


Fig. 6

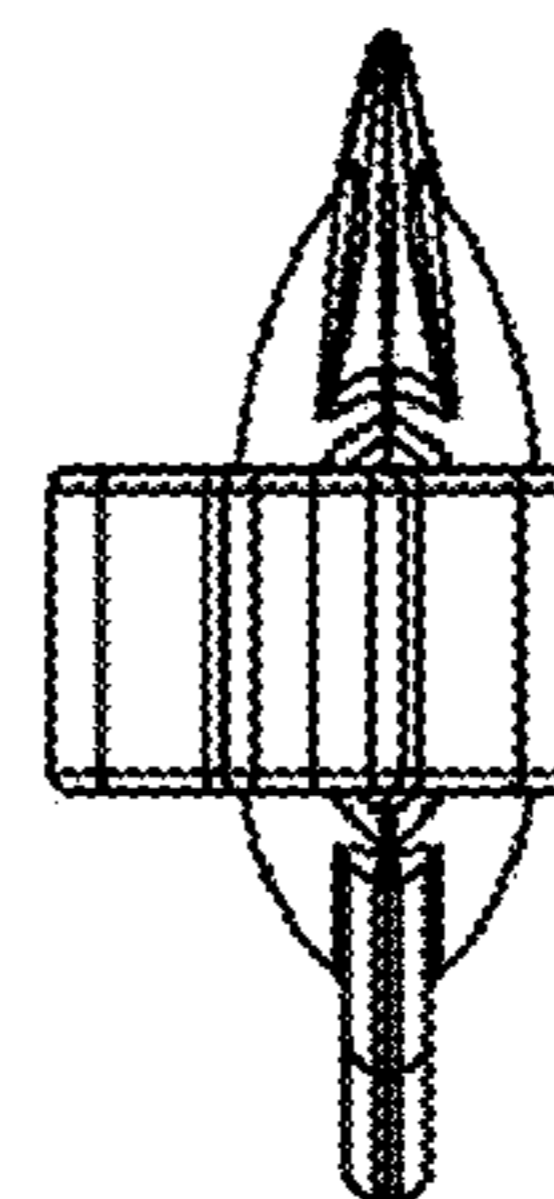


Fig. 7